



US00D364883S

United States Patent [19] Park

[11] **Patent Number:** **Des. 364,883**
[45] **Date of Patent:** ****Dec. 5, 1995**

[54] **SEARCH CAMERA**
[76] **Inventor:** **Scott Park**, 4117 Rio Del Norte,
Bakersfield, Calif. 93308
[**] **Term:** **14 Years**
[21] **Appl. No.:** **16,186**
[22] **Filed:** **Dec. 9, 1993**
[52] **U.S. Cl.** **D16/202**
[58] **Field of Search** D16/200, 201,
D16/202-206; 348/373-376, 82-85; 358/906;
354/75, 76; H04N 5/225

4,344,092 8/1982 Miller 348/373
4,389,675 6/1983 Suzuki et al. 348/376

Primary Examiner—Ted Shooman
Assistant Examiner—Adir Aronovich
Attorney, Agent, or Firm—J. E. Brunton

[57] **CLAIM**

The ornamental design for a search camera, as shown.

DESCRIPTION

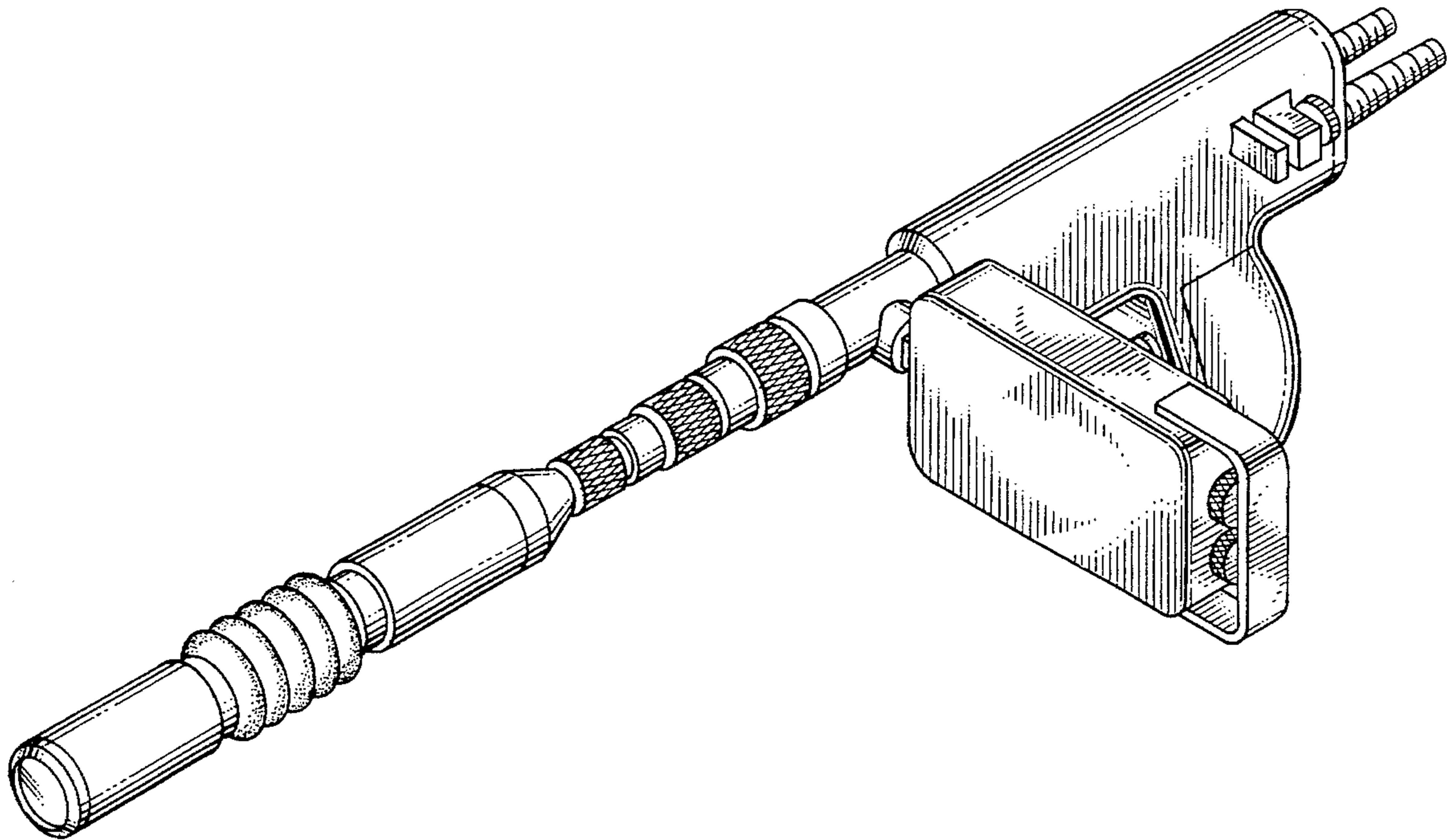
FIG. 1 is a perspective view of a search camera showing my new design;
FIG. 2 is a front elevational view thereof;
FIG. 3 is a rear elevational view thereof;
FIG. 4 is a right-hand side elevational view thereof;
FIG. 5 is a bottom plan view thereof;
FIG. 6 is a top plan view thereof; and,
FIG. 7 is a left-hand side elevational view thereof.

[56] **References Cited**

U.S. PATENT DOCUMENTS

D. 207,912 6/1967 Ryan D16/206
D. 261,140 10/1981 Ikeda D16/202
D. 348,683 7/1994 Park D16/202
3,764,736 10/1973 Kosky et al. 348/83

1 Claim, 3 Drawing Sheets



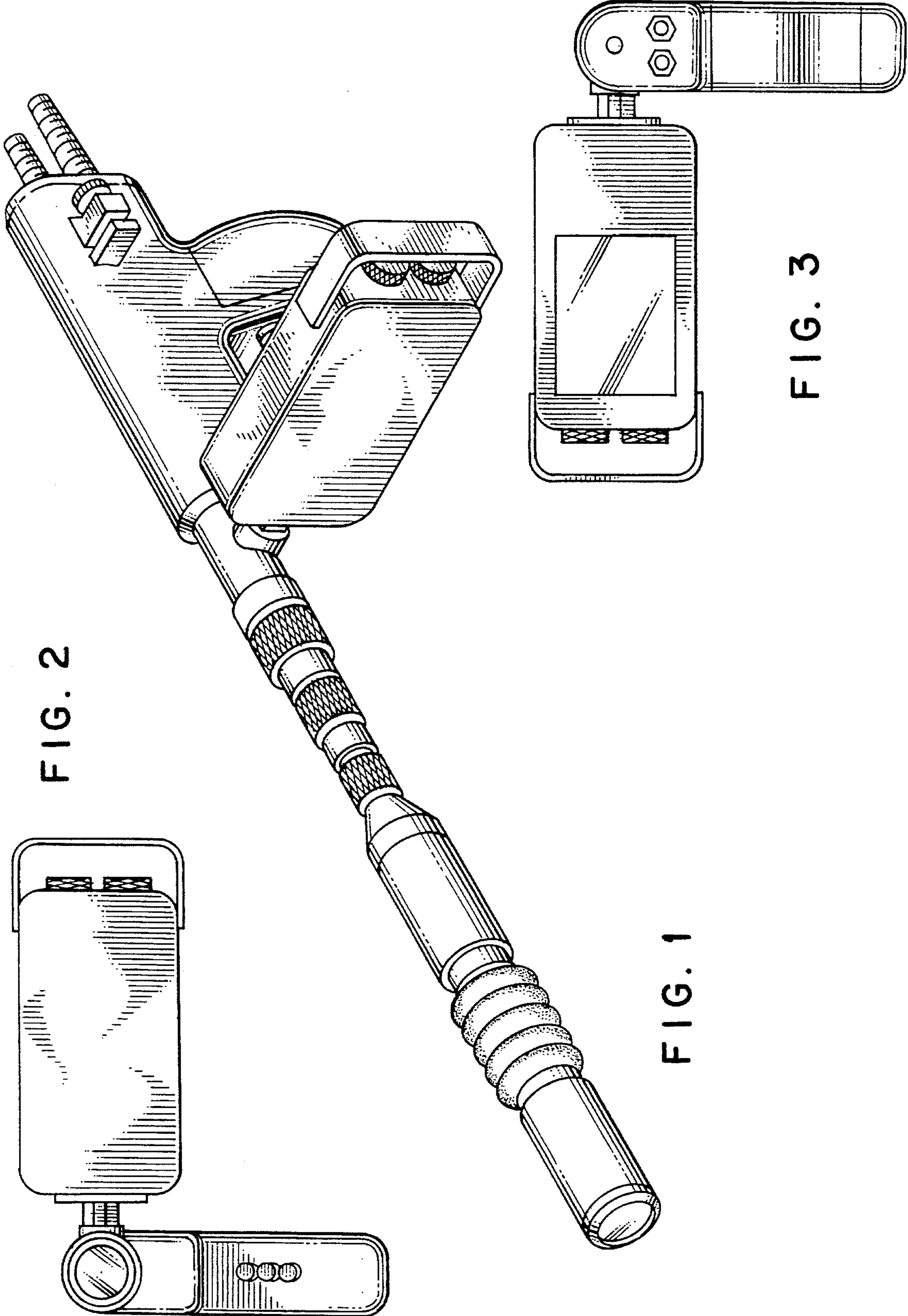


FIG. 2

FIG. 1

FIG. 3

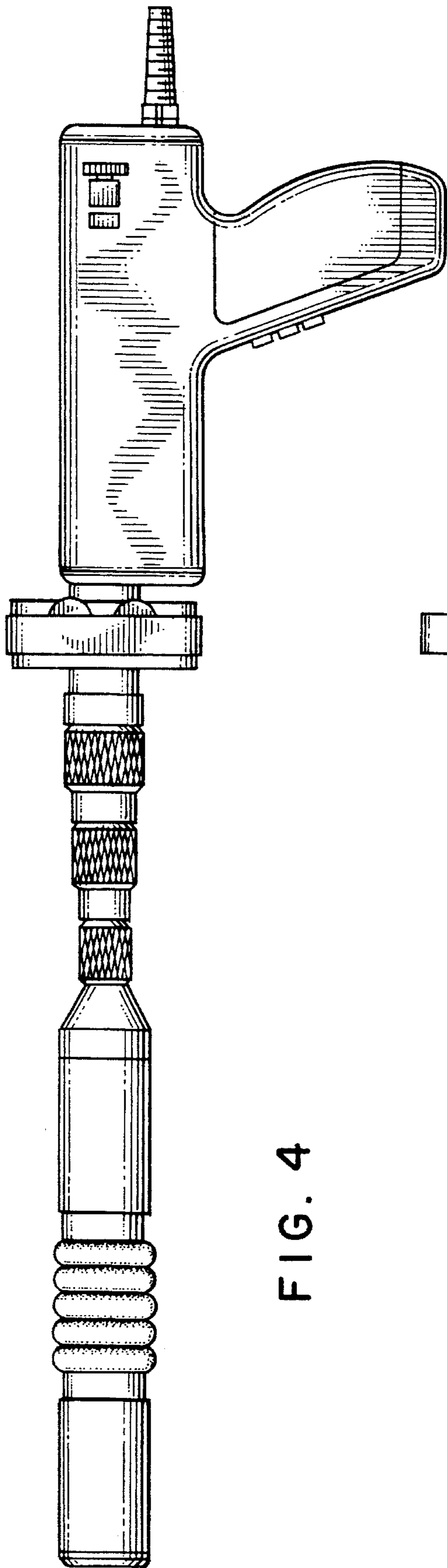


FIG. 4

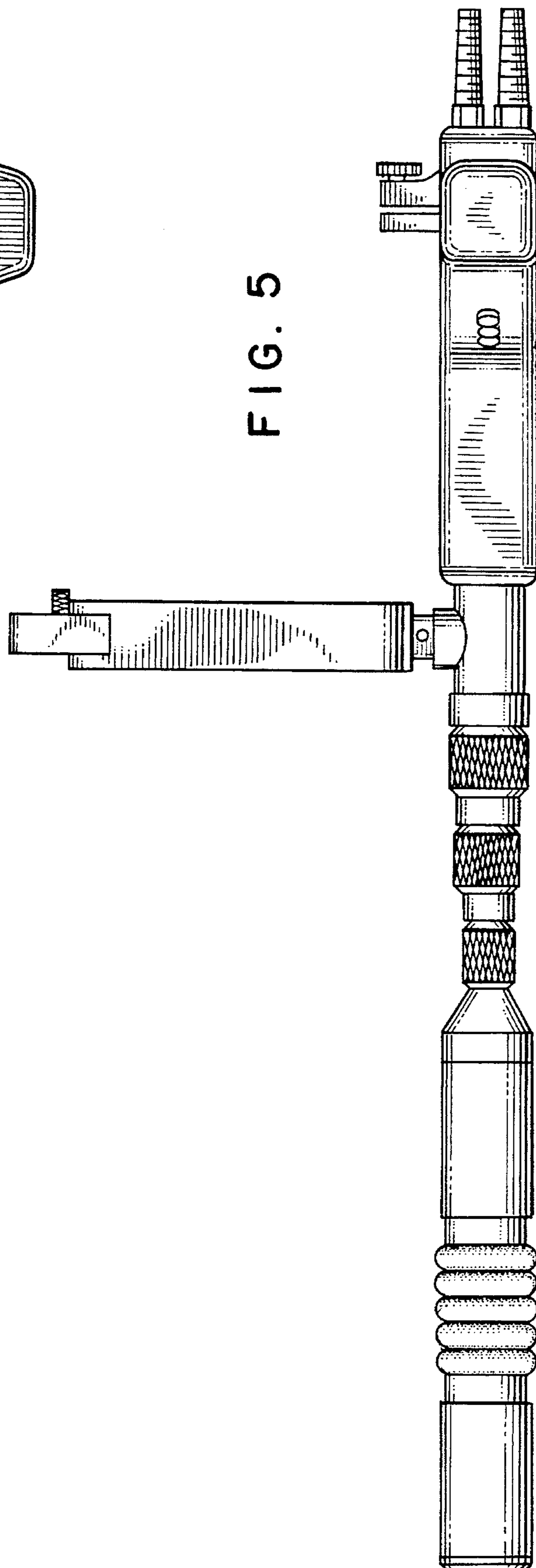


FIG. 5

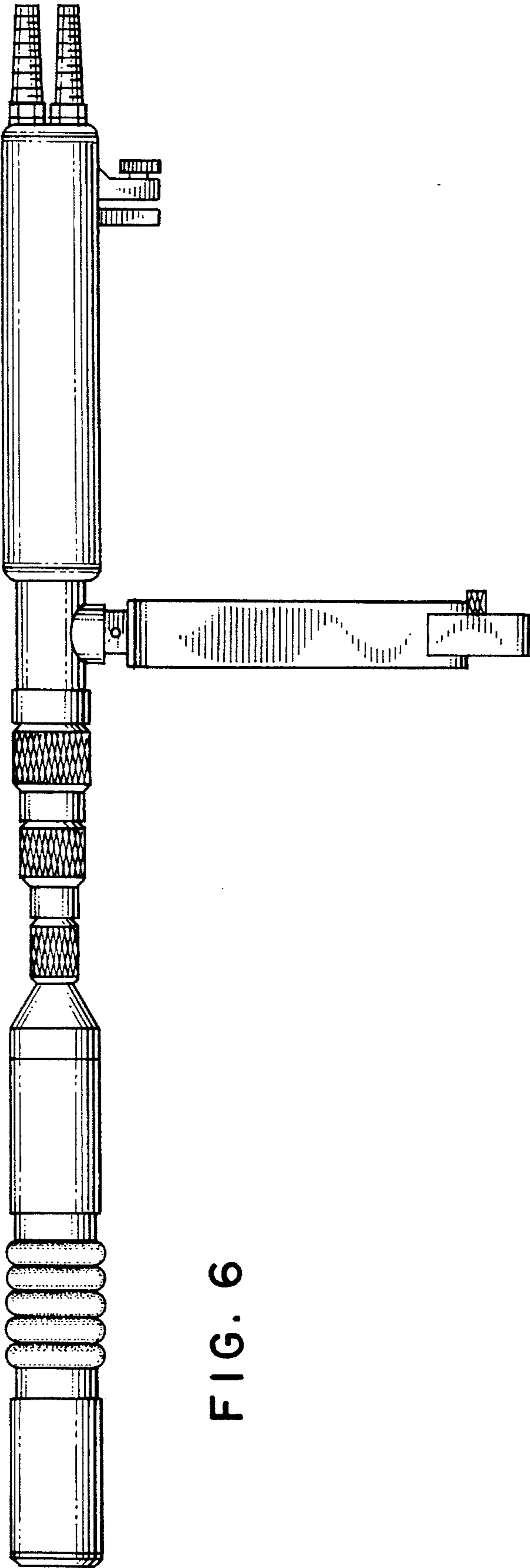


FIG. 6

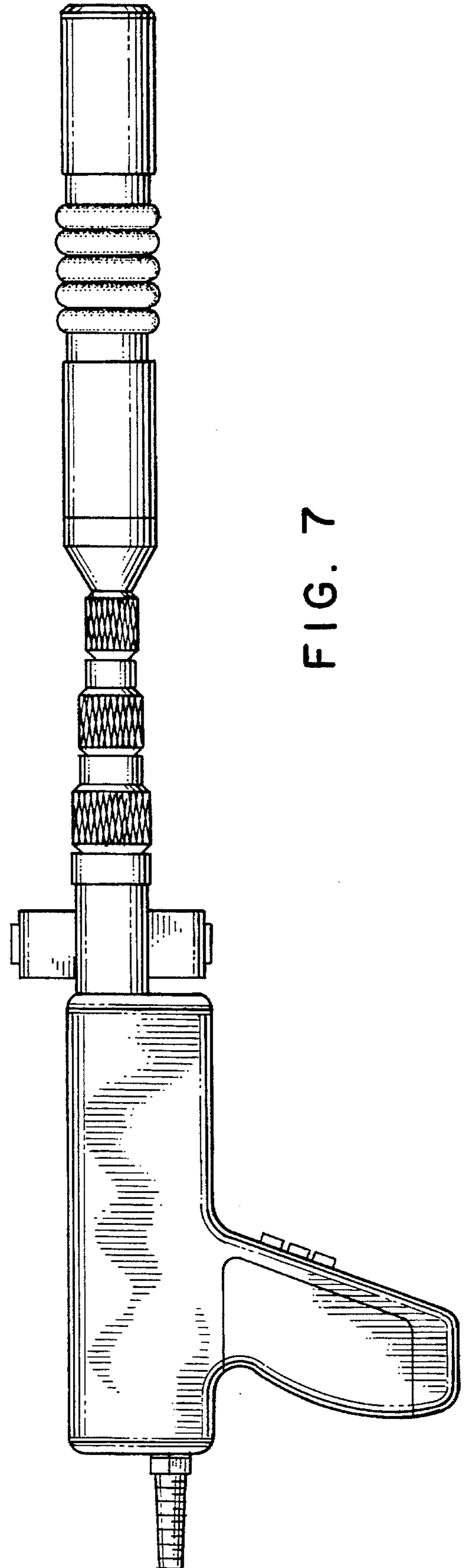


FIG. 7