



US00D364882S

**United States Patent** [19]  
**Junkers**

[11] **Patent Number:** **Des. 364,882**  
[45] **Date of Patent:** **\*\*Dec. 5, 1995**

[54] **BOLT TENSIONER**

[76] Inventor: **John K. Junkers**, 7 Arrowhead La.,  
Saddle River, N.J. 07540

[\*\*] Term: **14 Years**

[21] Appl. No.: **24,947**

[22] Filed: **Jun. 23, 1994**

[52] U.S. Cl. .... **D15/199; D8/397**

[58] **Field of Search** ..... D8/382, 397, 14,  
D8/105, 106; 411/432, 433, 434; 81/479,  
57.38, 57.39, 57.11, 57.44

[56] **References Cited**

**U.S. PATENT DOCUMENTS**

|            |         |                 |       |           |
|------------|---------|-----------------|-------|-----------|
| D. 223,747 | 6/1972  | Shinjo          | ..... | D8/397    |
| 2,653,450  | 9/1953  | Fort            | ..... | D25/117 X |
| 2,892,340  | 6/1959  | Fort            | ..... | D25/117 X |
| 4,708,036  | 11/1987 | Vossbrinck      | ..... | 81/57.38  |
| 5,139,381  | 8/1992  | Lubreski et al. | ..... | 411/433   |
| 5,190,423  | 3/1993  | Ewing           | ..... | 411/432 X |

**OTHER PUBLICATIONS**

Design News; Special Nuts; Mar. 1958; p. 46.  
Design News; Machine Products Company; Mar. 1962; p.  
32.  
Design News; Special Nuts; Mar. 3, 1958.

*Primary Examiner*—Antoine Duval Davis  
*Attorney, Agent, or Firm*—Michael J. Striker

[57] **CLAIM**

The ornamental design for a bolt tensioner, as shown and described.

**DESCRIPTION**

FIG. 1 is an exploded view of a bolt tensioner showing my new design;  
FIG. 2 is a perspective elevated view of my bolt tensioner in assembled form;  
FIG. 3 is a top plan view thereof;  
FIG. 4 is a side plan view thereof;  
FIG. 5 is a bottom plan view thereof;  
FIG. 6 is a perspective elevated view of an alternate embodiment of my new design;  
FIG. 7 is a top plan view thereof;  
FIG. 8 is a side plan view thereof;  
FIG. 9 is a bottom plan view thereof;  
FIG. 10 is a perspective view of a second alternate embodiment of my new design;  
FIG. 11 is a top plan view thereof;  
FIG. 12 is a side plan view thereof; and,  
FIG. 13 is a bottom plan view thereof.

**1 Claim, 7 Drawing Sheets**

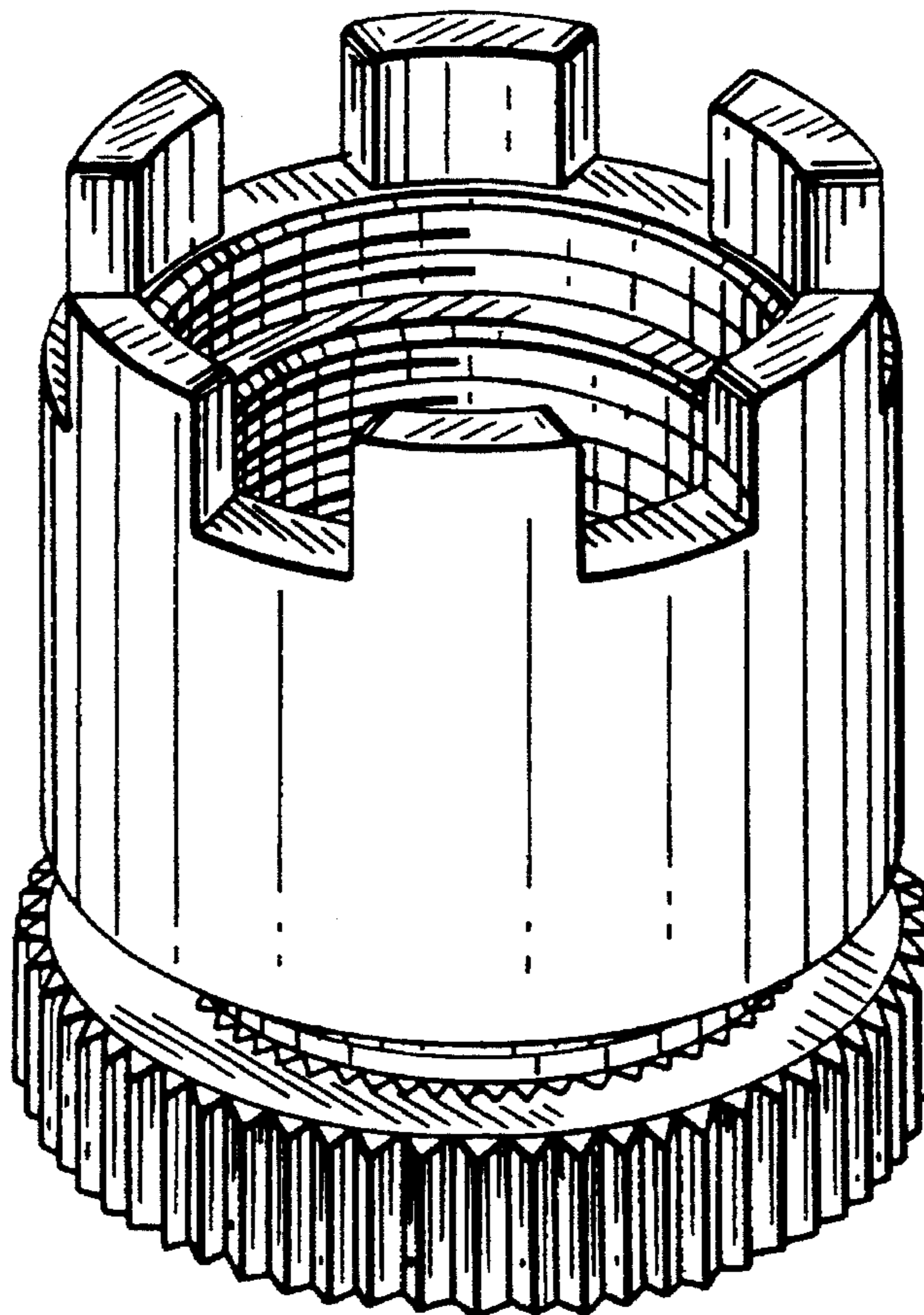
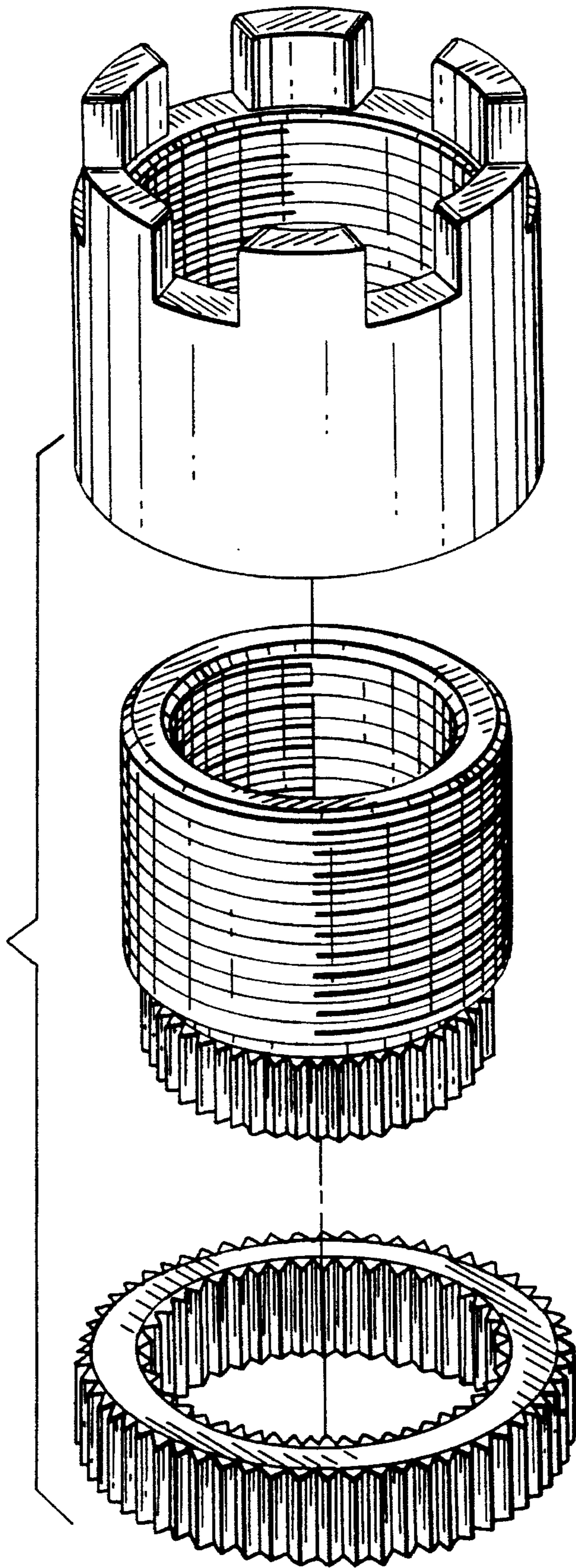
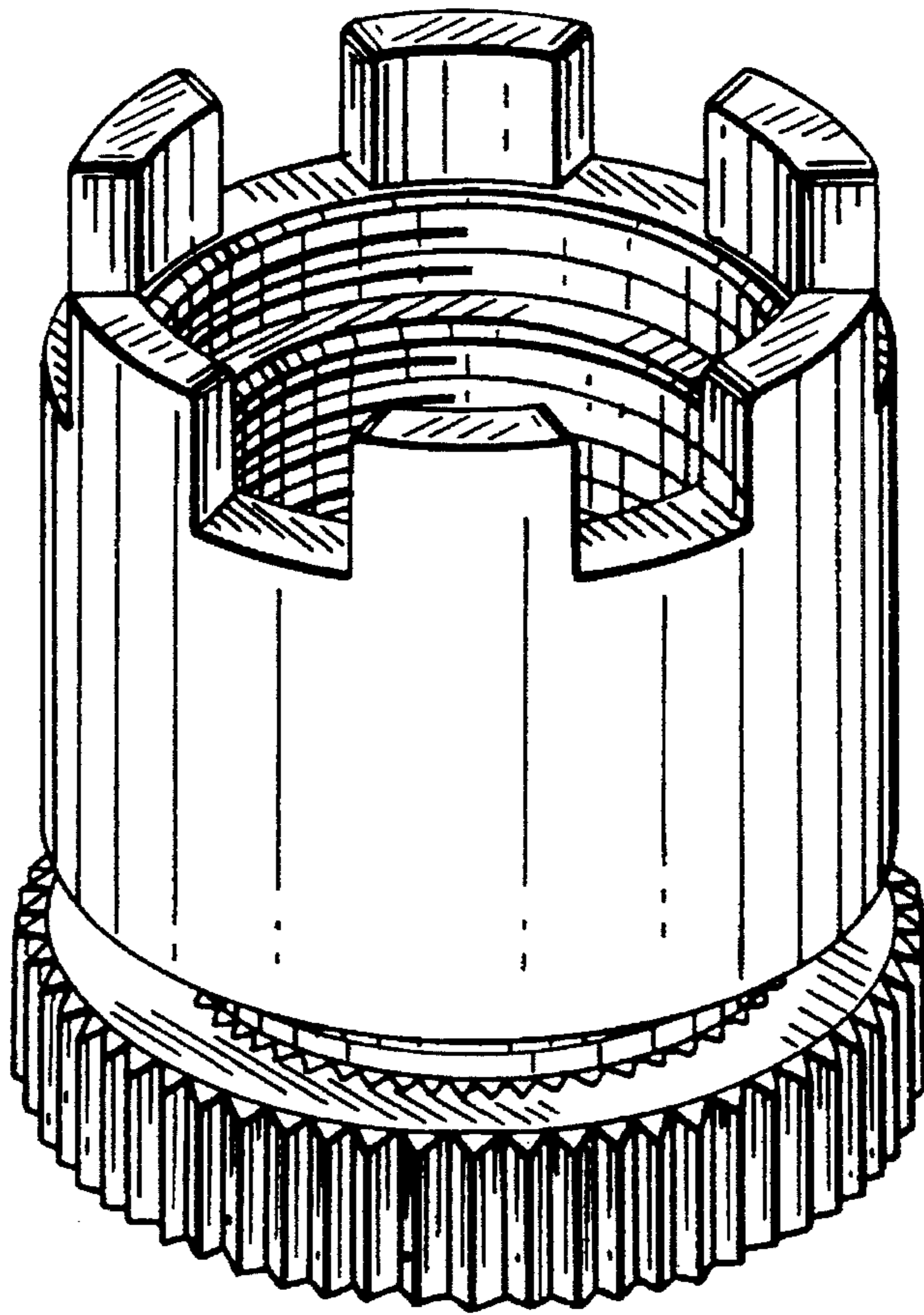


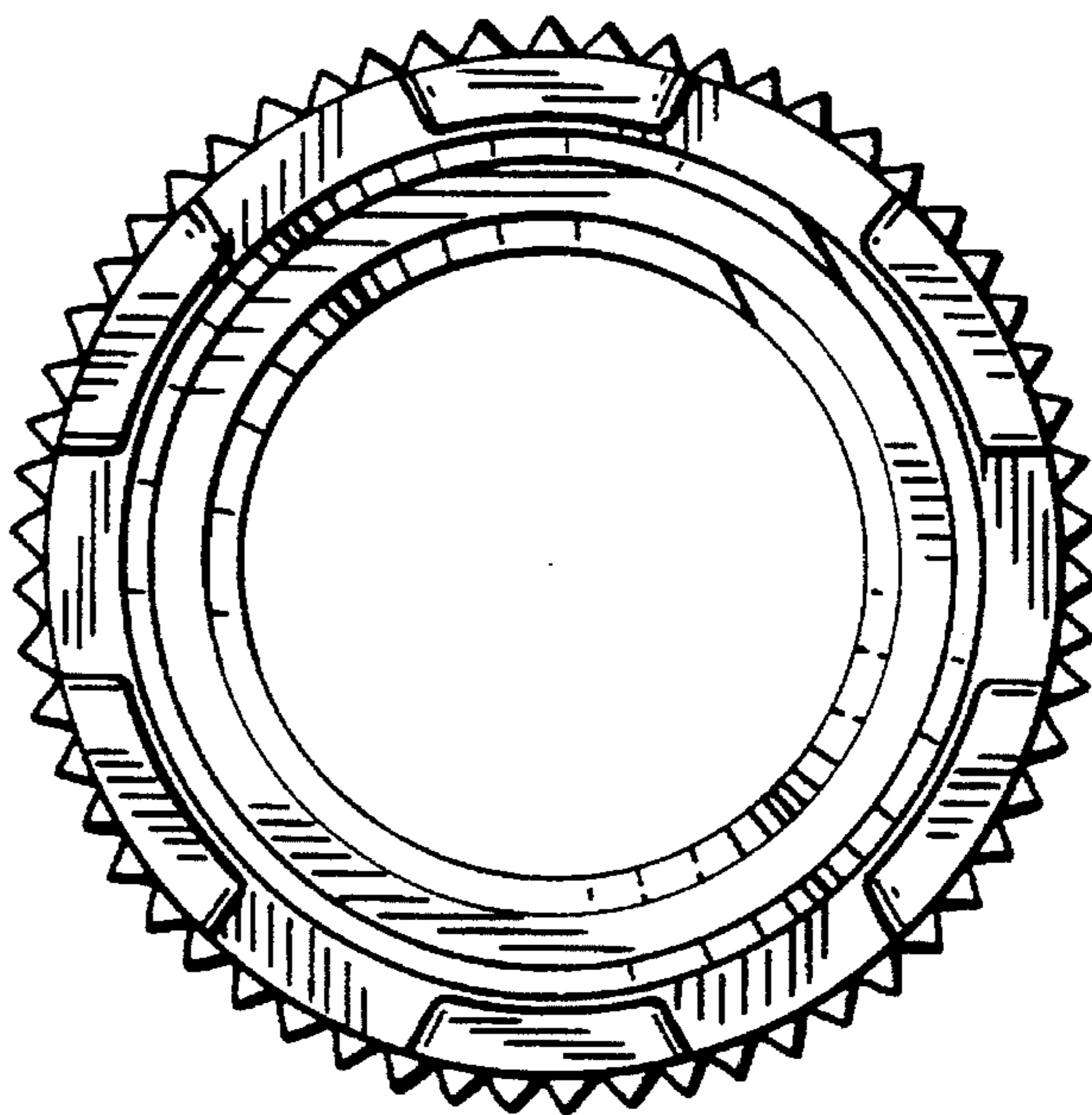
FIG. 1



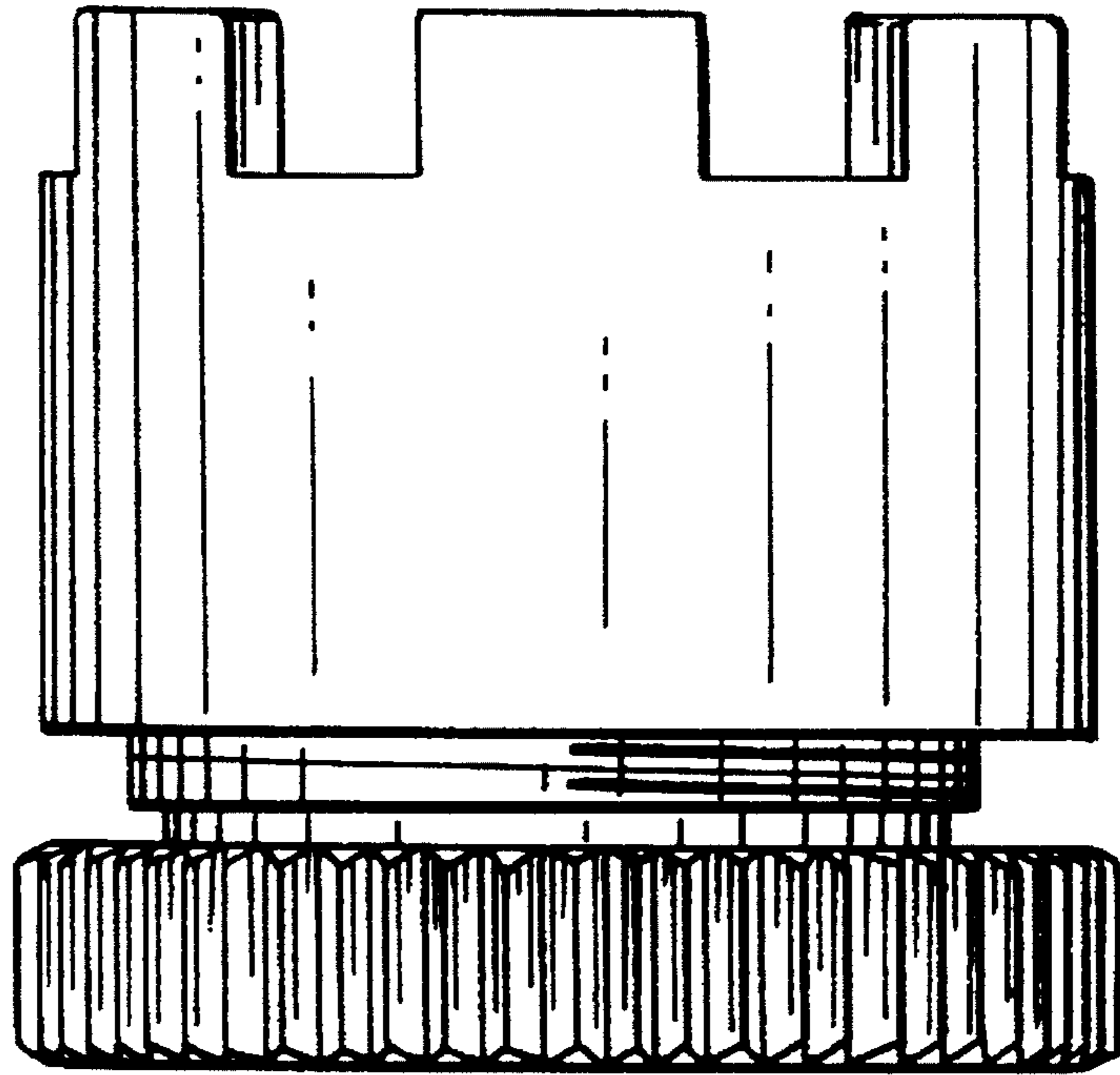
*FIG. 2*



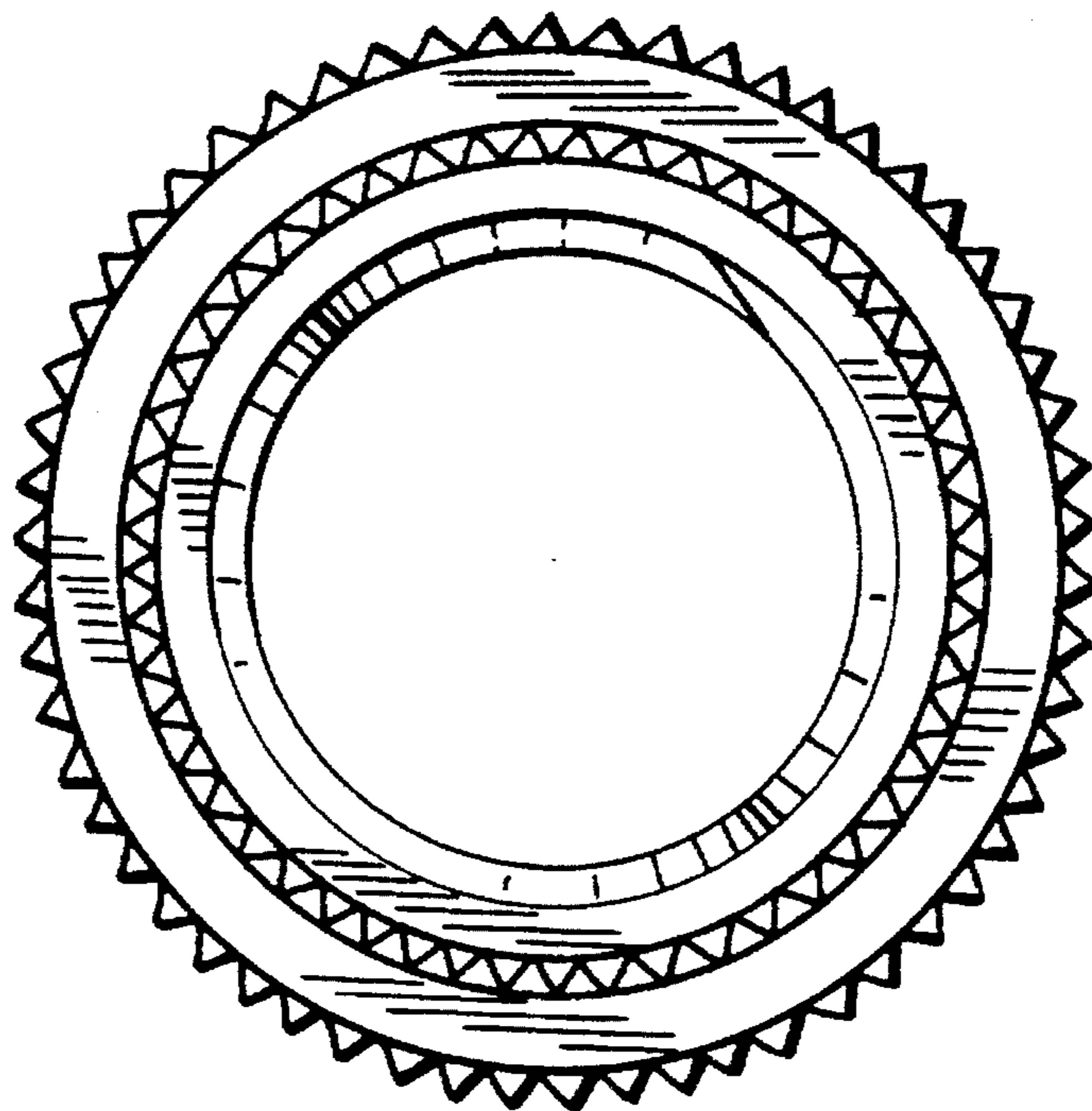
*FIG. 3*



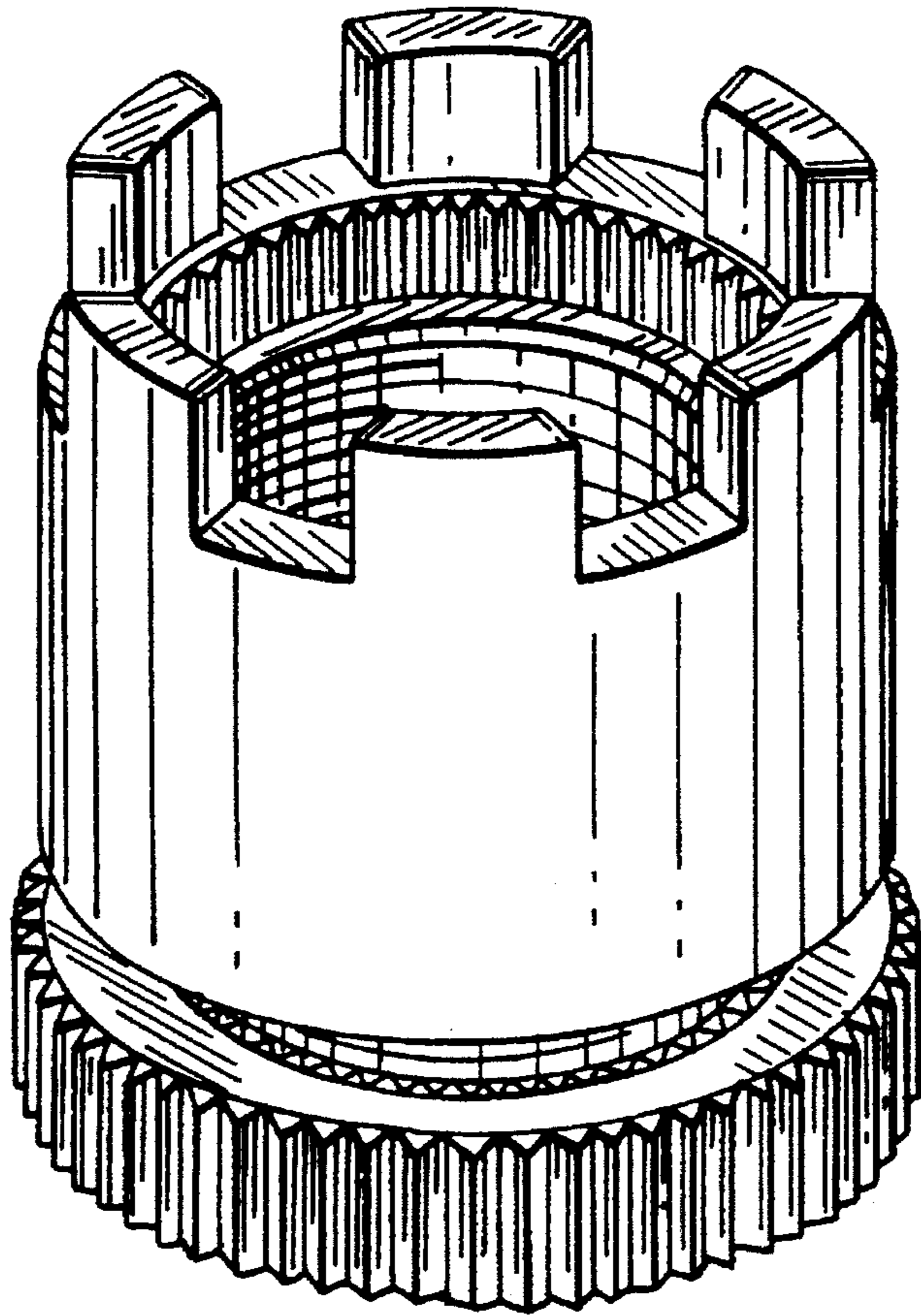
*FIG. 4*



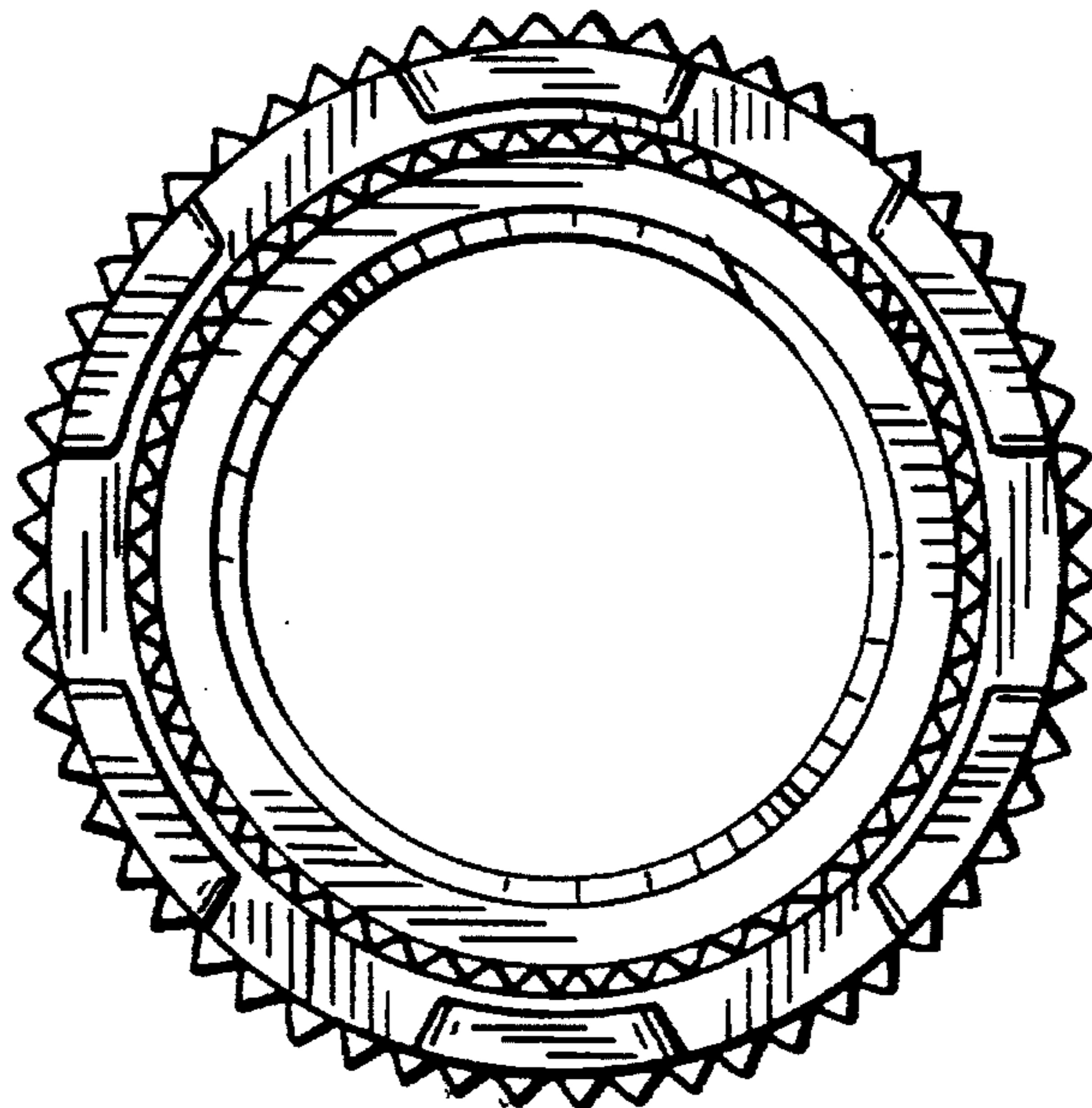
*FIG. 5*



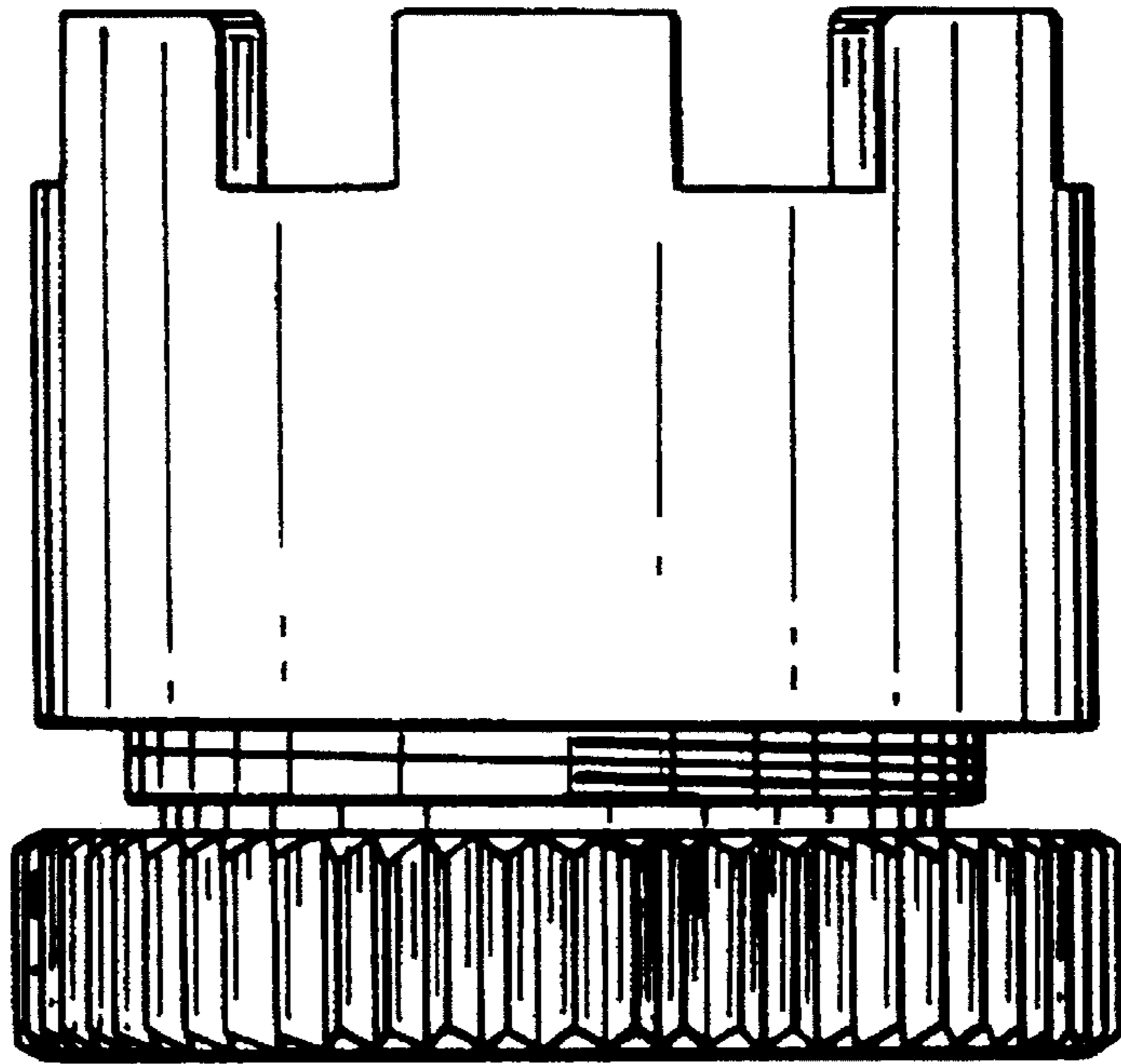
*FIG. 6*



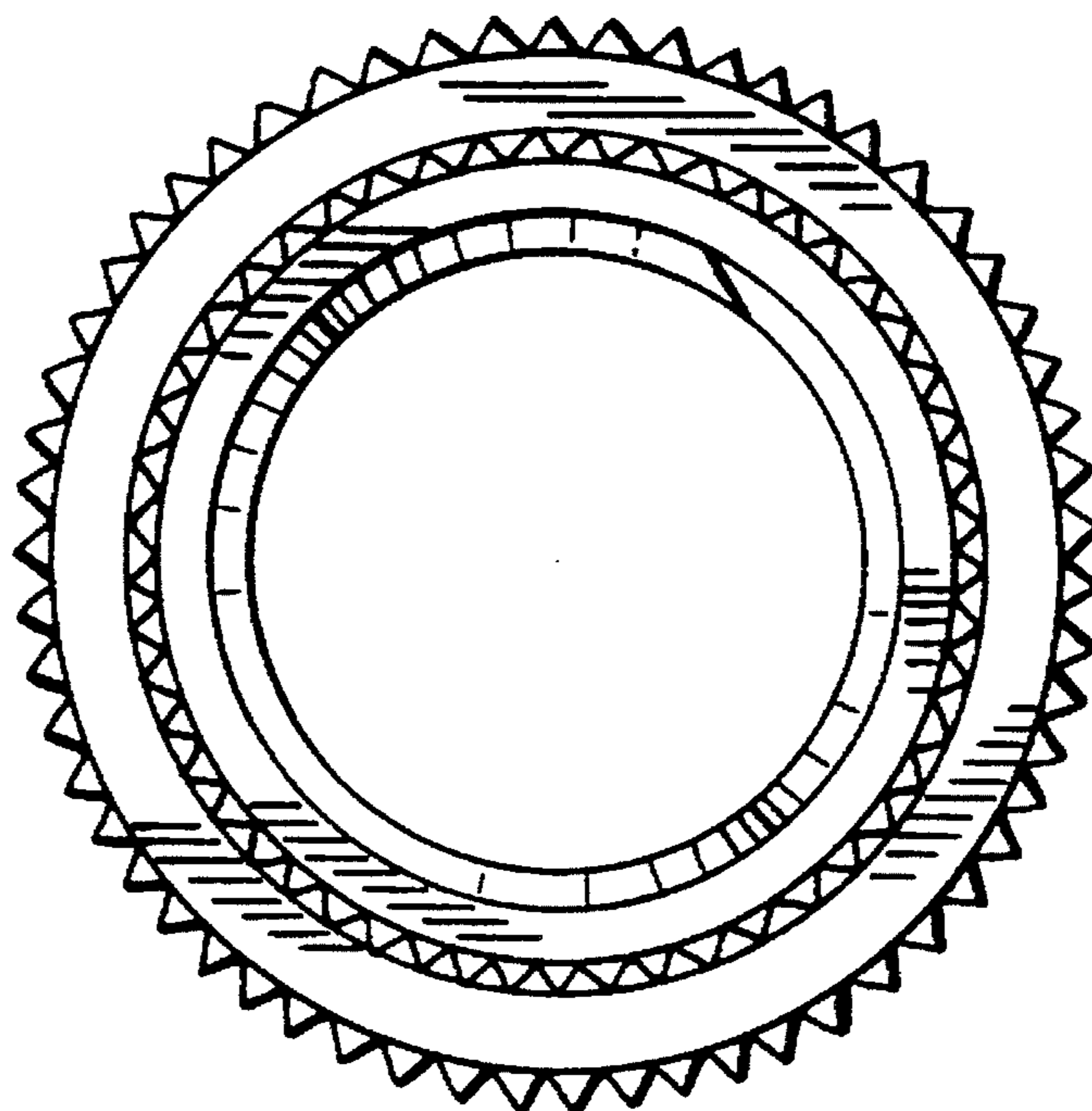
*FIG. 7*



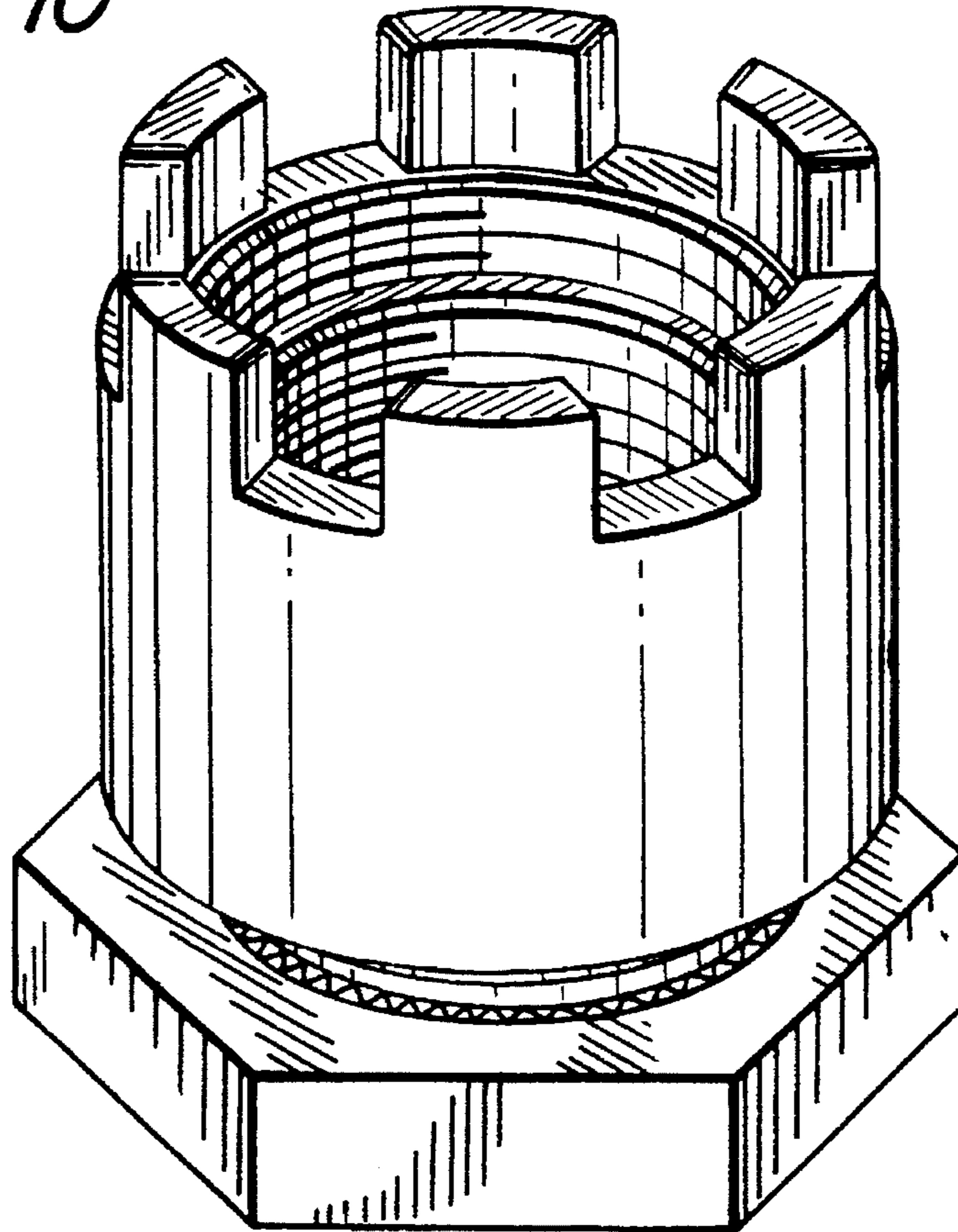
*FIG. 8*



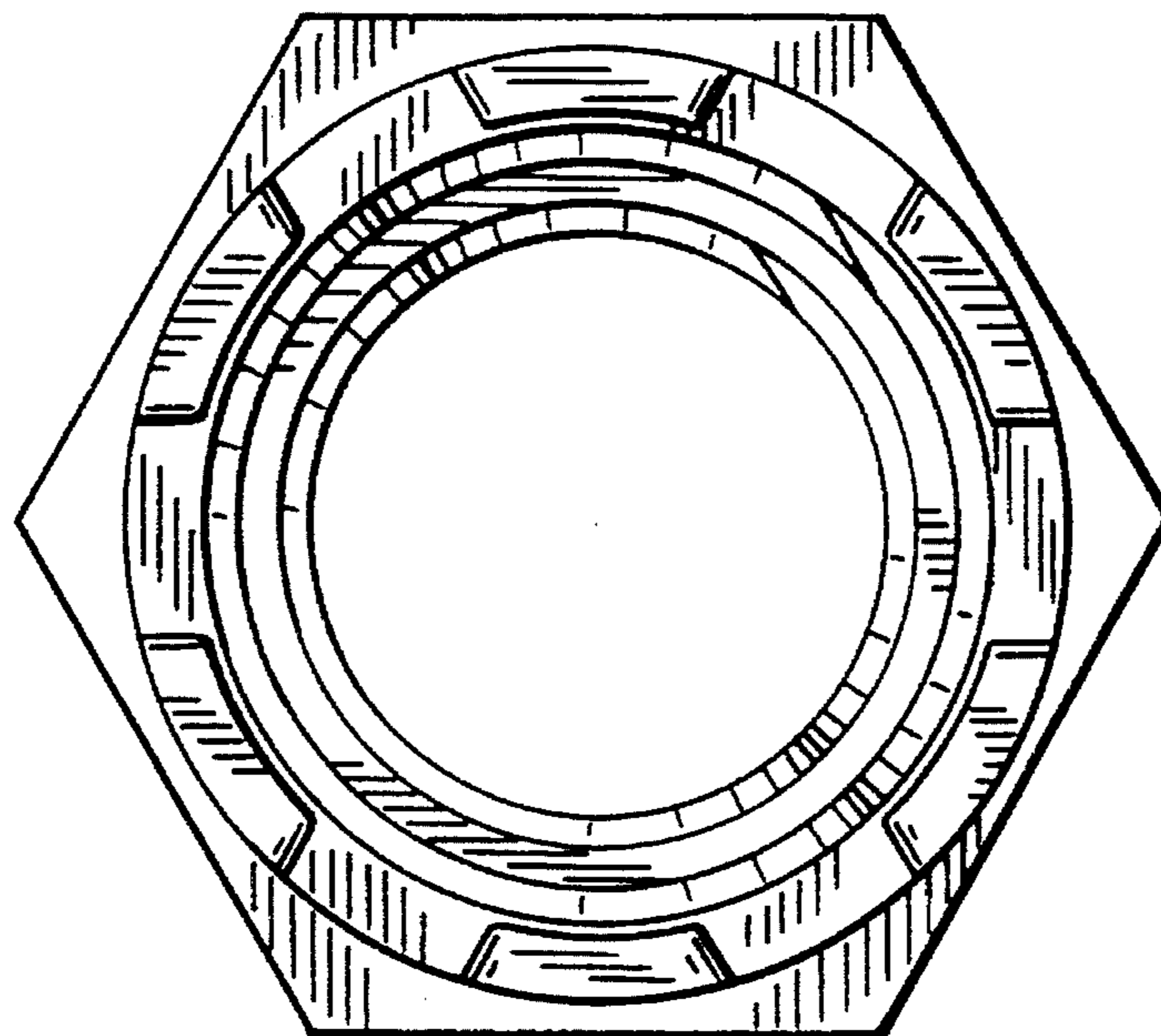
*FIG. 9*



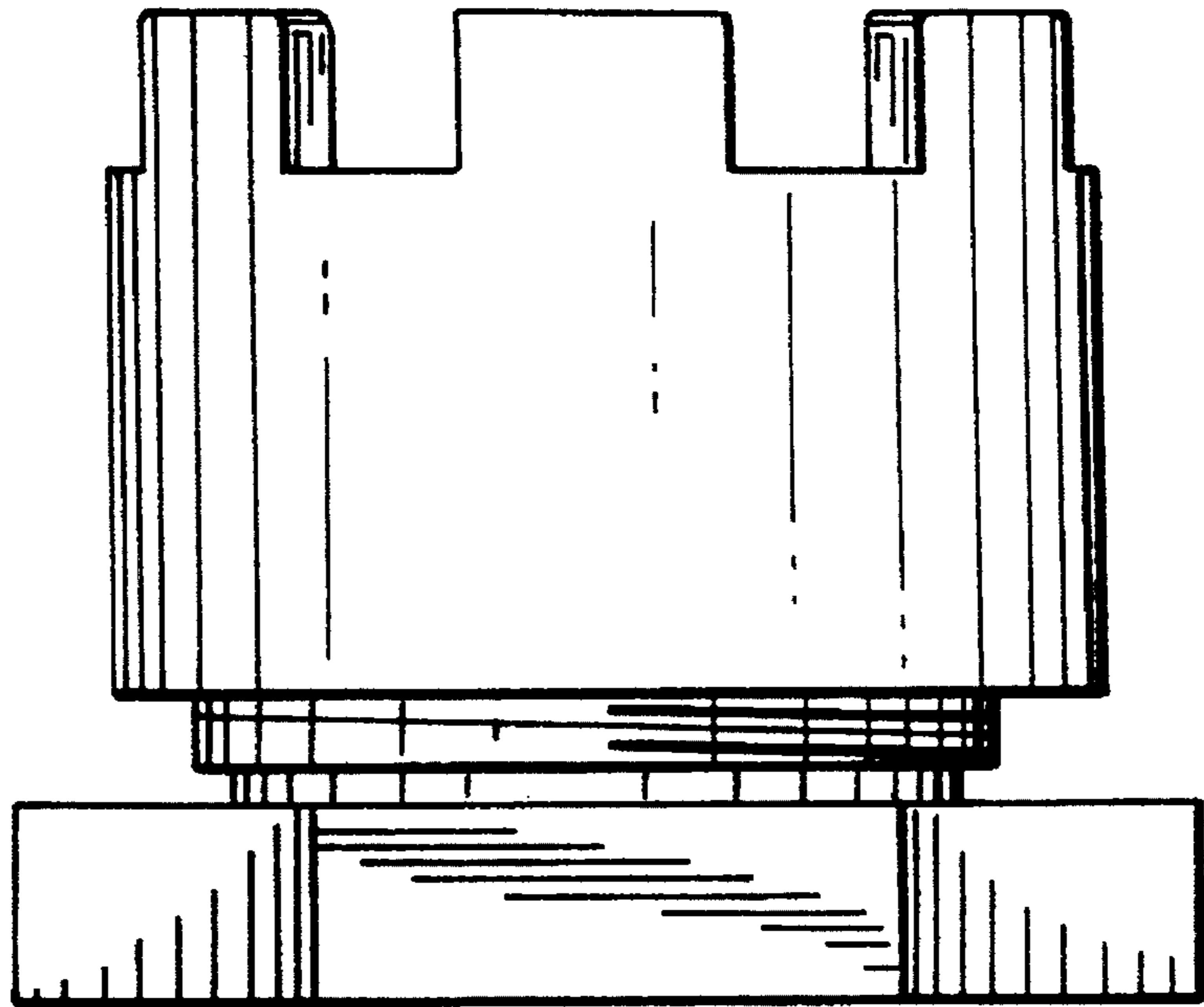
*FIG. 10*



*FIG. 11*



*FIG. 12*



*FIG. 13*

