



US00D364881S

# United States Patent [19]

[11] **Patent Number:** **Des. 364,881**

**Benes et al.**

[45] **Date of Patent:** **\*\*Dec. 5, 1995**

[54] **SHAPE AND LETTER CUTTING APPARATUS**

3,665,793	5/1972	Lehner .....	83/2
4,262,566	4/1981	Fondronnier et al. ....	83/42 X
4,856,392	8/1989	Appelberg .....	83/40
5,144,994	9/1992	Stecker, Sr. ....	144/286

[76] Inventors: **David J. Benes**, Rural Route 1, P.O. Box 138; **Stephen W. Nabity**, P.O. Box 1053, both of Fremont, Nebr. 68025

*Primary Examiner*—Alan P. Douglas  
*Assistant Examiner*—Antoine D. Davis  
*Attorney, Agent, or Firm*—Zarley, McKee, Thomte, Voorhees & Sease; Mark D. Frederiksen

[\*\*] Term: **14 Years**

[21] Appl. No.: **33,814**

[57] **CLAIM**

[22] Filed: **Jan. 20, 1995**

The ornamental design for a shape and letter cutting apparatus, as shown and described.

[52] U.S. Cl. .... **D15/127**

[58] **Field of Search** ..... D15/127, 128, D15/129; 83/39, 40, 42, 50, 436, 435.1, 437, 518, 519, 862, 863, 864, 865, 867, 884, 885, 16, 170, 694, 566, 94; 219/773

**DESCRIPTION**

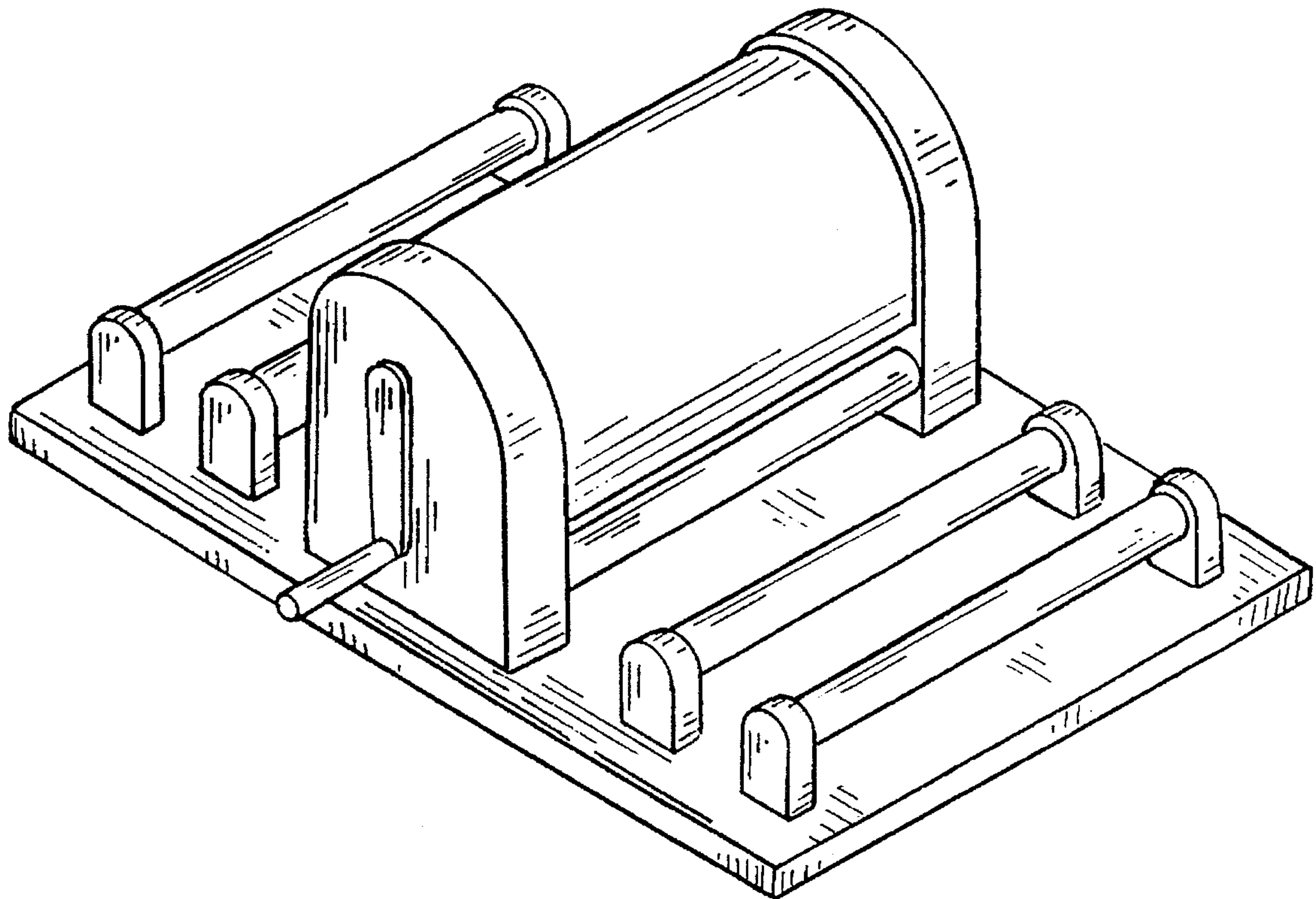
FIG. 1 is a perspective view of the shape and letter cutting apparatus showing my new design; FIG. 2 is a top plan view thereof; FIG. 3 is a front elevational view thereof; FIG. 4 is a rear elevational view thereof; FIG. 5 is a bottom plan view thereof; and, FIG. 6 is an elevational view taken from the right end of FIG. 3, the opposing end elevational view being a mirror image thereof.

[56] **References Cited**

**U.S. PATENT DOCUMENTS**

D. 272,911	3/1984	Bolton .....	D15/127
D. 276,528	11/1984	Shaffer .....	D15/127
D. 313,807	1/1991	Daniel .....	D15/127
2,328,582	9/1943	Ratchford et al. ....	164/84.5
2,630,519	3/1953	Gard .....	219/47

**1 Claim, 1 Drawing Sheet**



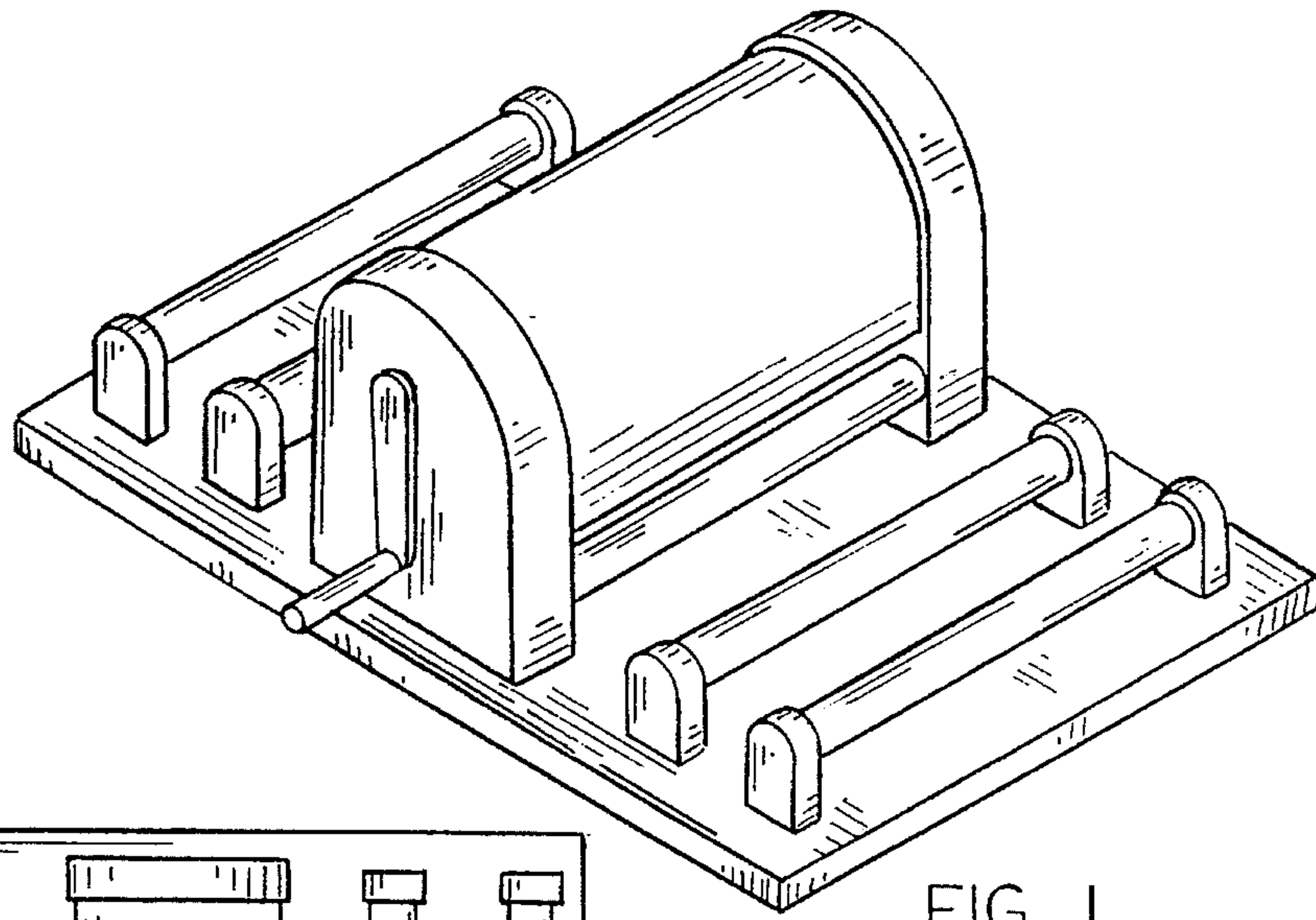


FIG. 1

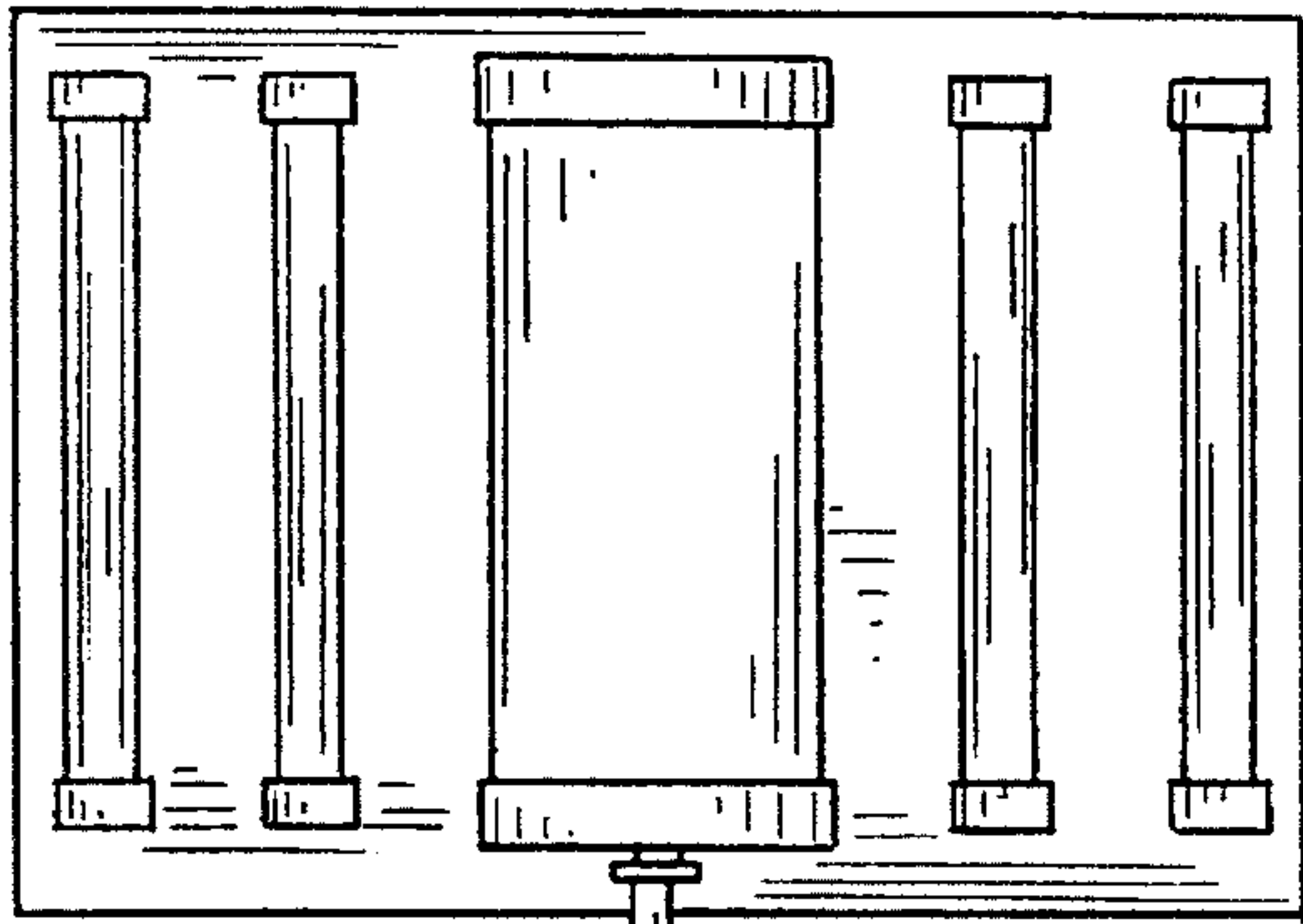


FIG. 2

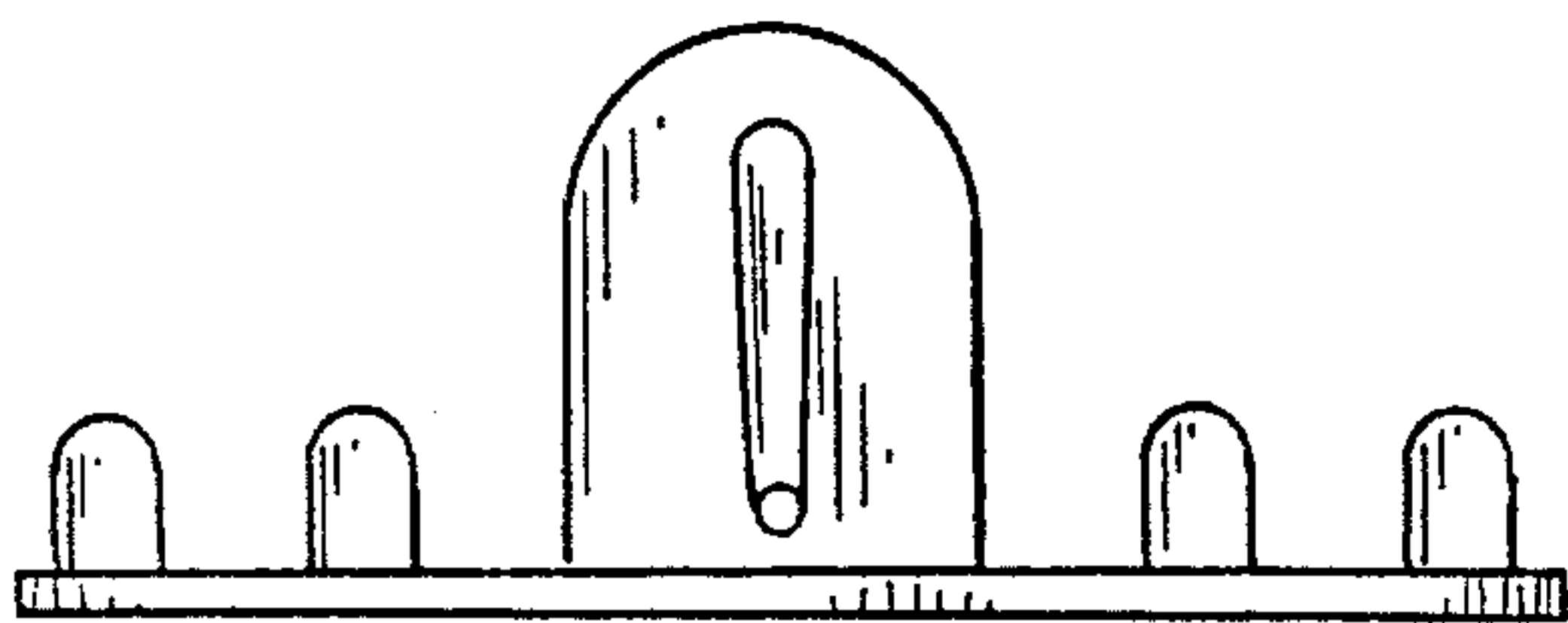


FIG. 3

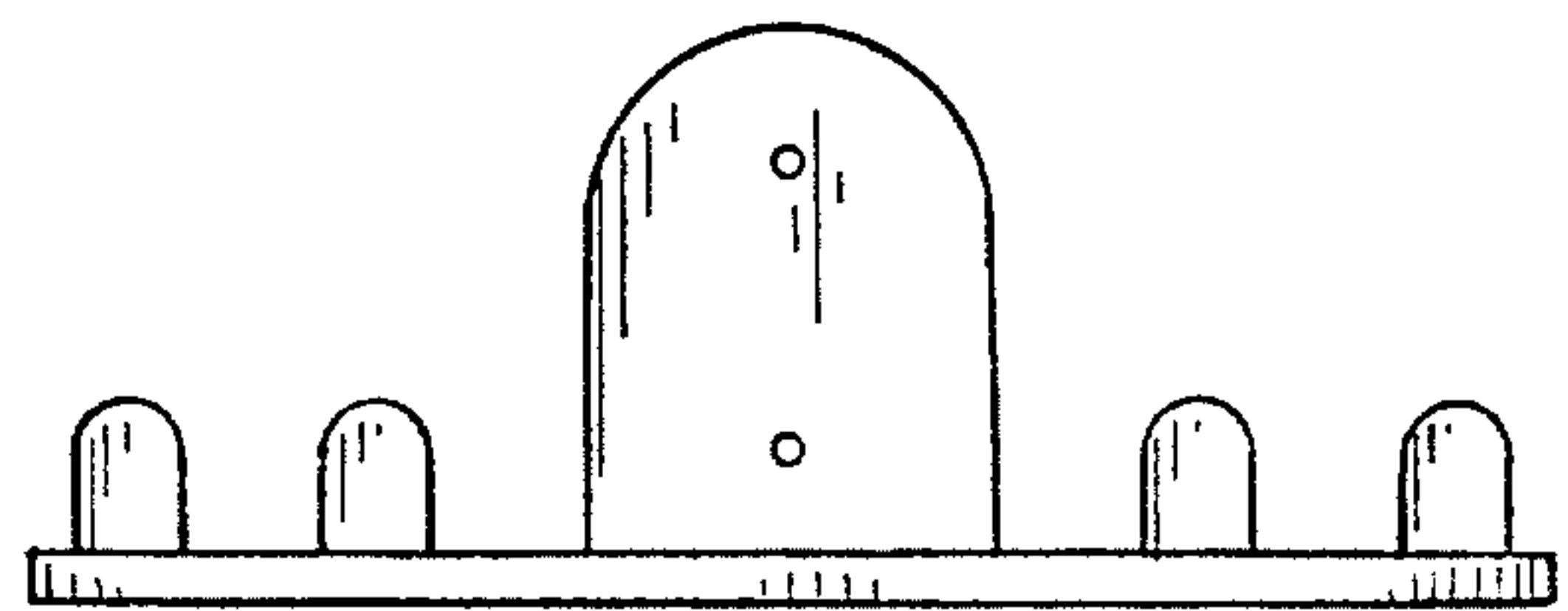


FIG. 4

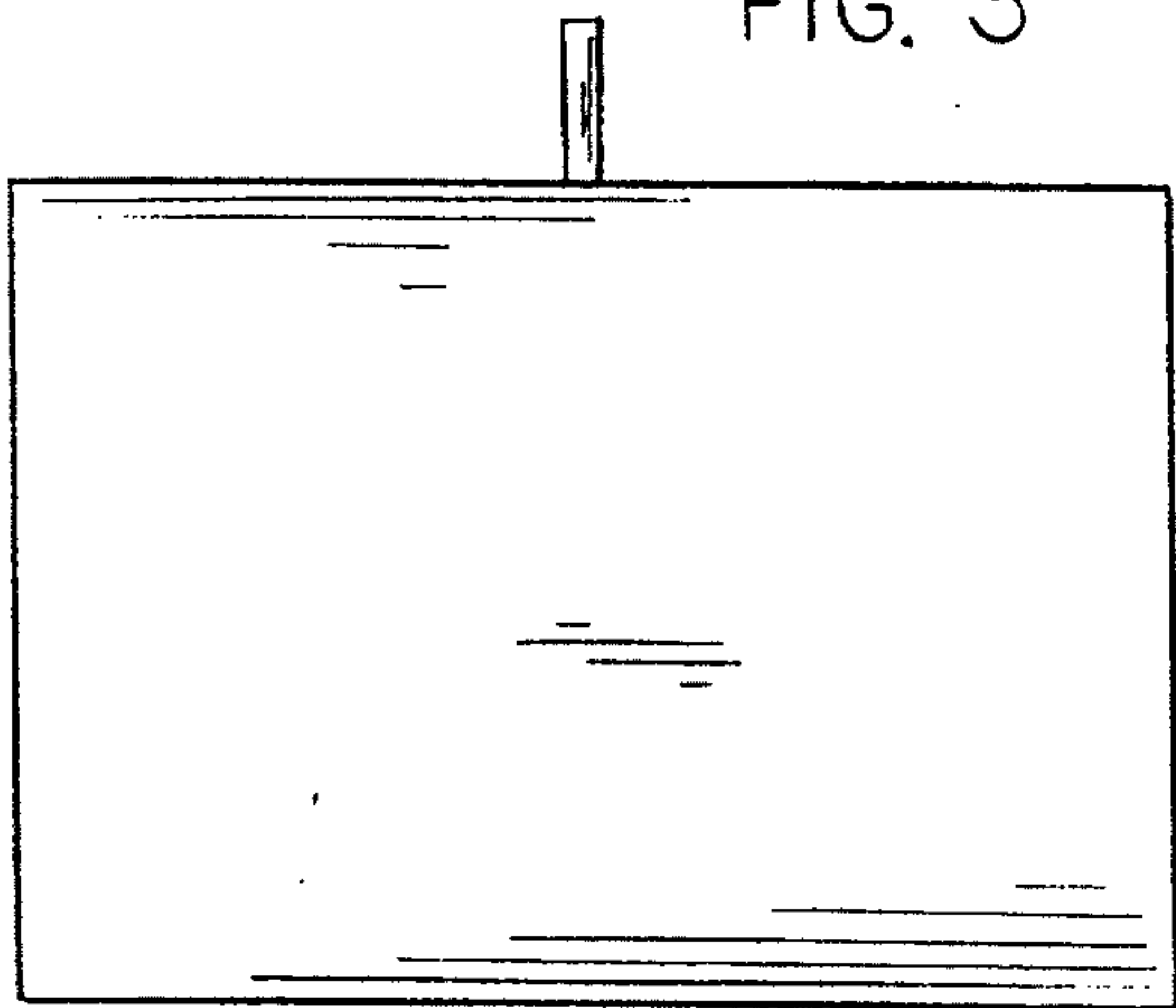


FIG. 5

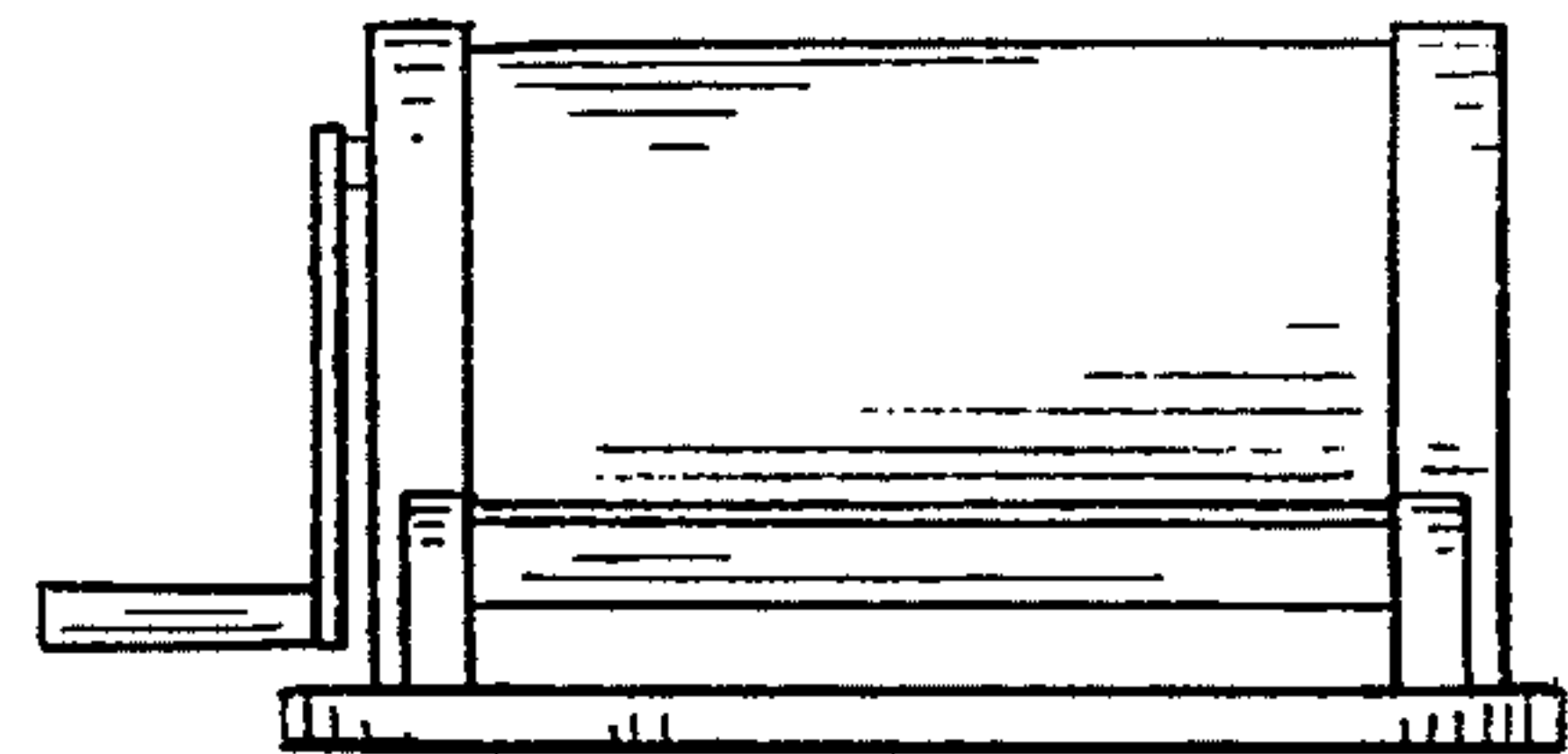


FIG. 6