



US00D364879S

United States Patent [19]

[11] Patent Number: **Des. 364,879**

Bastian et al.

[45] Date of Patent: ****Dec. 5, 1995**

[54] **WORK MACHINE HAVING ENDLESS GROUND ENGAGING DRIVE BELTS**

[75] Inventors: **Robert C. Bastian**, Hinckley; **William C. Boroski**, Aurora; **Melvin P. Busch, Jr.**, Peoria; **Elmer R. Crabb**, Aurora; **Patrick W. Friede**, Brimfield; **Alan D. Gustafson**, Leland; **David C. Koch**, Lisle; **Mark D. Miller**, Montgomery; **Jeffrey A. Moore**, Waterman; **James R. Oldham**, St. Charles; **Robert L. Stamate**, Chillicothe; **Samuel B. Stevens**, Pekin, all of Ill.; **Russell W. Strong**, Craftsbury Common, Vt.; **Lynn A. Sutton**, Kewanee; **Joseph M. Tucker, III**, Oswego, both of Ill.

[73] Assignee: **Caterpillar Inc.**, Peoria, Ill.

[**] Term: **14 Years**

[21] Appl. No.: **12,145**

[22] Filed: **Aug. 24, 1993**

[52] U.S. Cl. **D15/24; D15/26**

[58] Field of Search **D15/10, 22-26; 180/89.1, 89.12, 900**

[56] **References Cited**

U.S. PATENT DOCUMENTS

D. 251,845	5/1979	Joupperi et al.	D15/25
D. 256,017	7/1980	Emundts et al.	D15/23
D. 302,276	7/1989	Briggs et al.	D15/24
D. 314,388	2/1991	Brewer et al.	D15/24
5,018,591	5/1991	Price	180/9.5

OTHER PUBLICATIONS

Caterpillar Challenger 65 Brochure, Cover.

Primary Examiner—Theodore M. Shooman

Assistant Examiner—Sandra Morris

Attorney, Agent, or Firm—Claude F. White; Kenneth A. Rhoads

[57] **CLAIM**

The ornamental design of a work machine having endless ground engaging drive belts, as shown and described.

DESCRIPTION

FIG. 1 is a right side elevational view of a work machine having endless ground engaging drive belts showing our new design;

FIG. 2 is a left side elevational view thereof;

FIG. 3 is a front elevational view thereof;

FIG. 4 is a rear elevational view thereof;

FIG. 5 is a top plan view thereof;

FIG. 6 is a right side perspective view thereof;

FIG. 7 is a right side elevational view of a work machine having endless ground engaging drive belts showing an alternative embodiment of our new design;

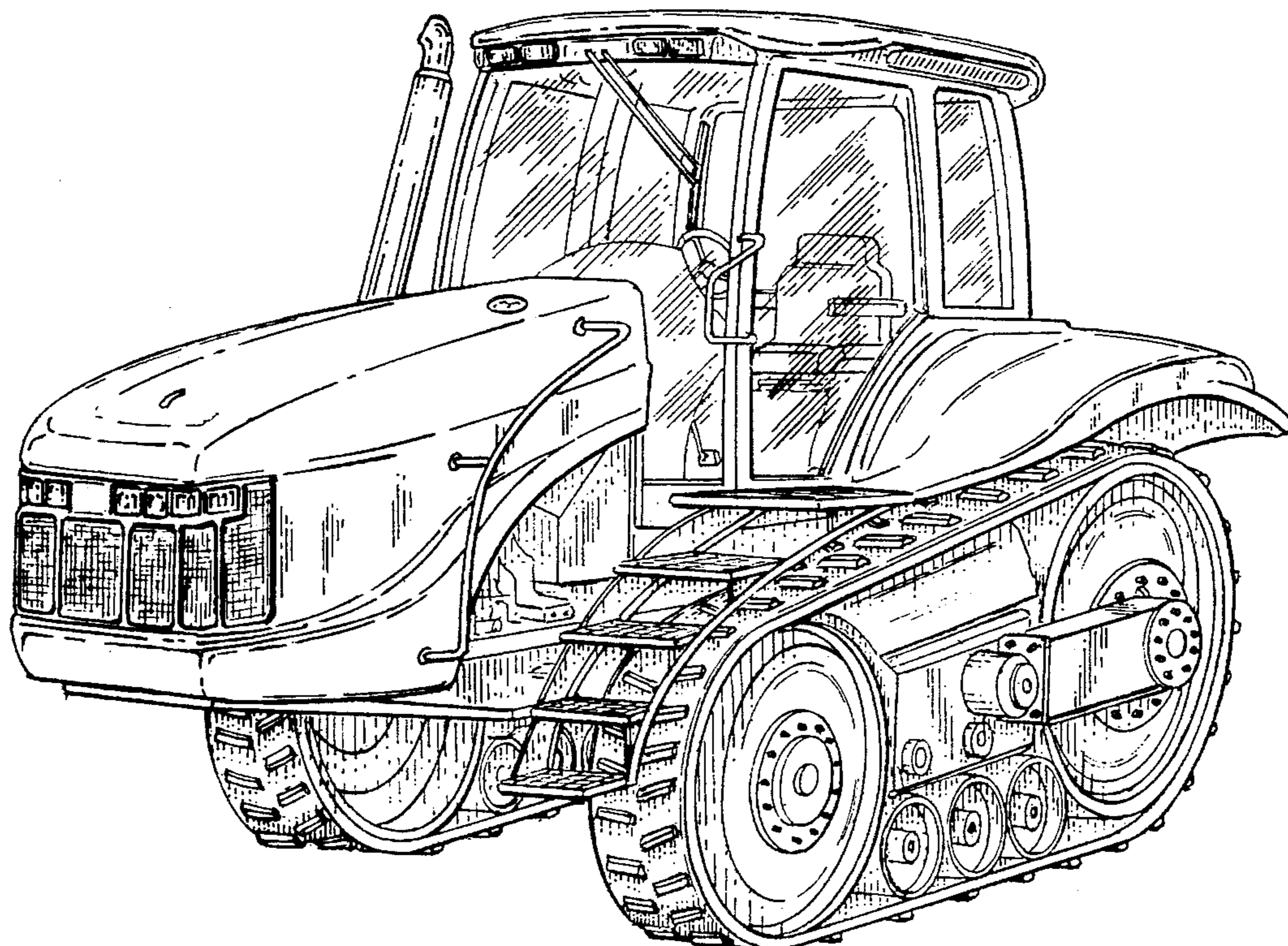
FIG. 8 is a left side elevational view of the alternate embodiment;

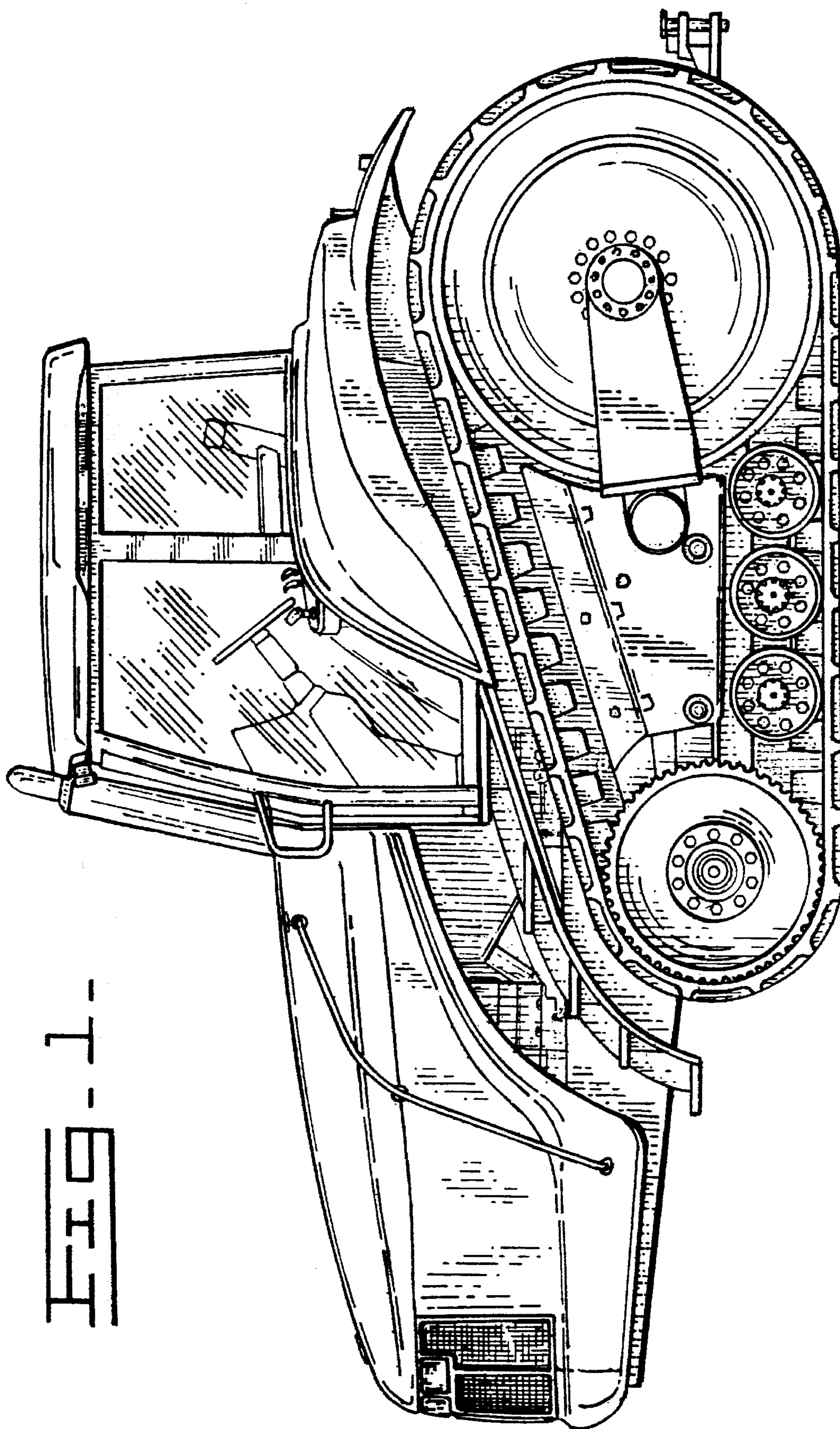
FIG. 9 is a front elevational view of the alternate embodiment;

FIG. 10 is a rear elevational view of the alternate embodiment;

FIG. 11 is a top plan view of the alternate embodiment; and, FIG. 12 is a right side elevational view of the alternate embodiment.

1 Claim, 12 Drawing Sheets





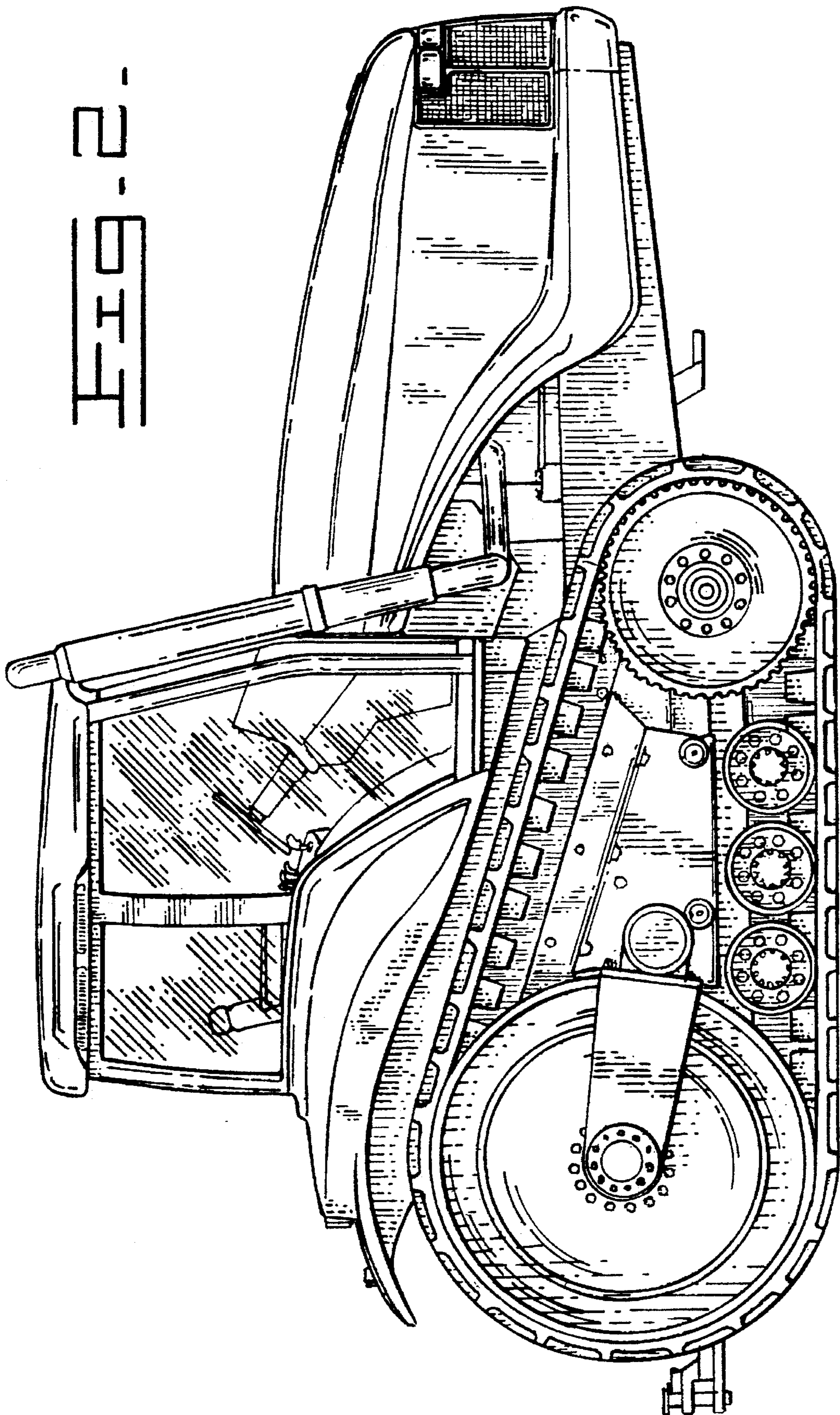


FIG. 3.

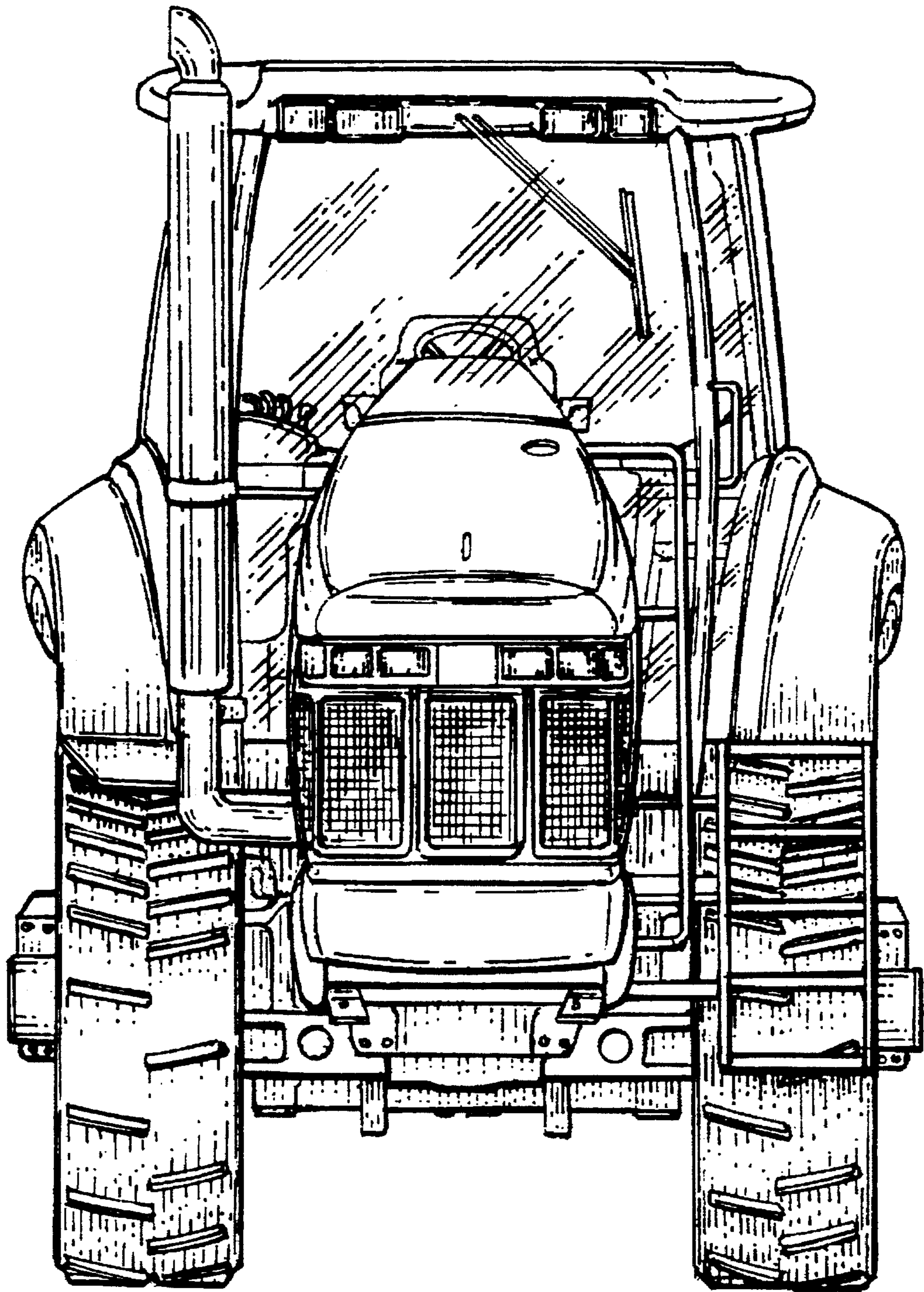


FIG. 4.

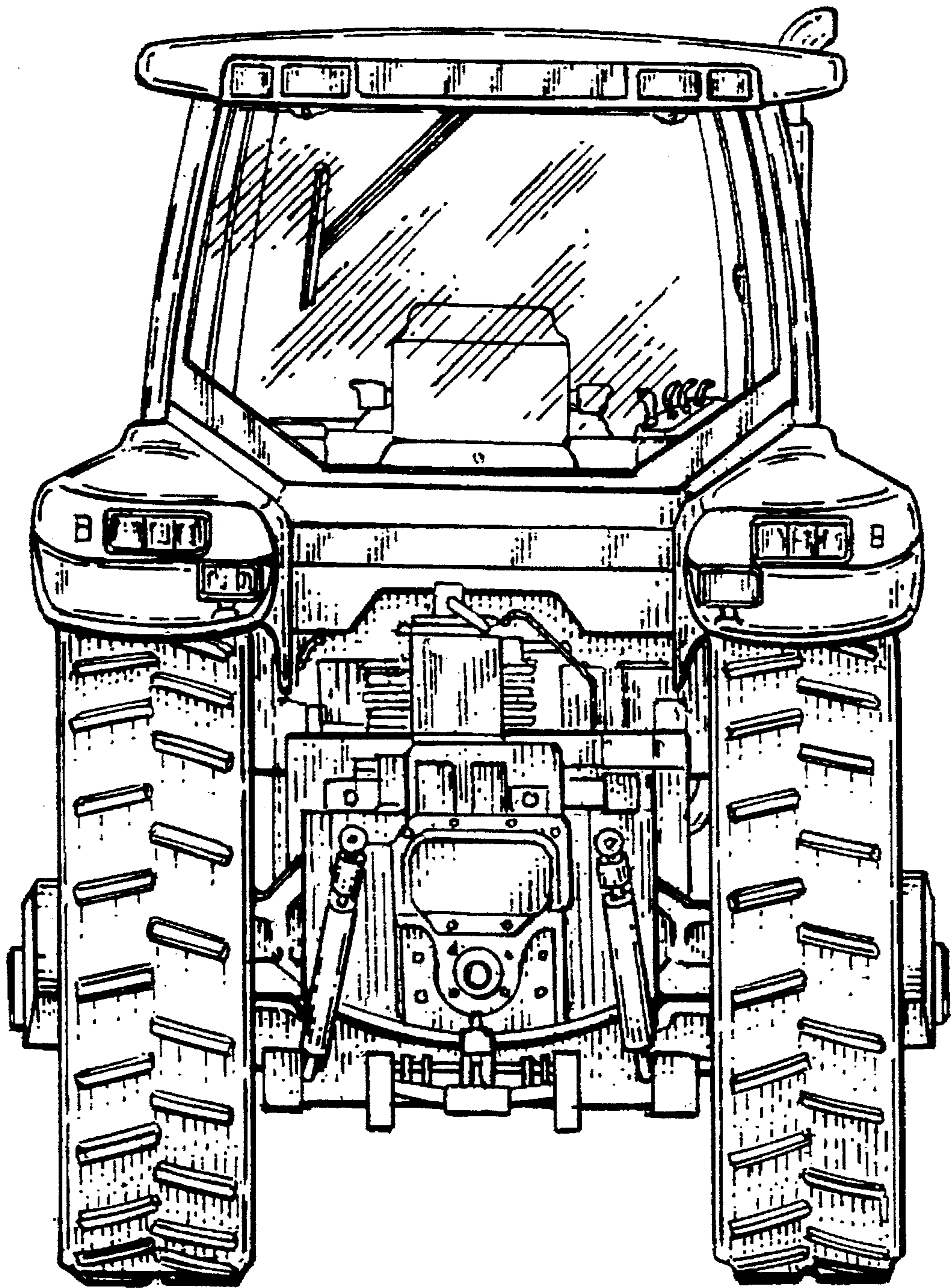
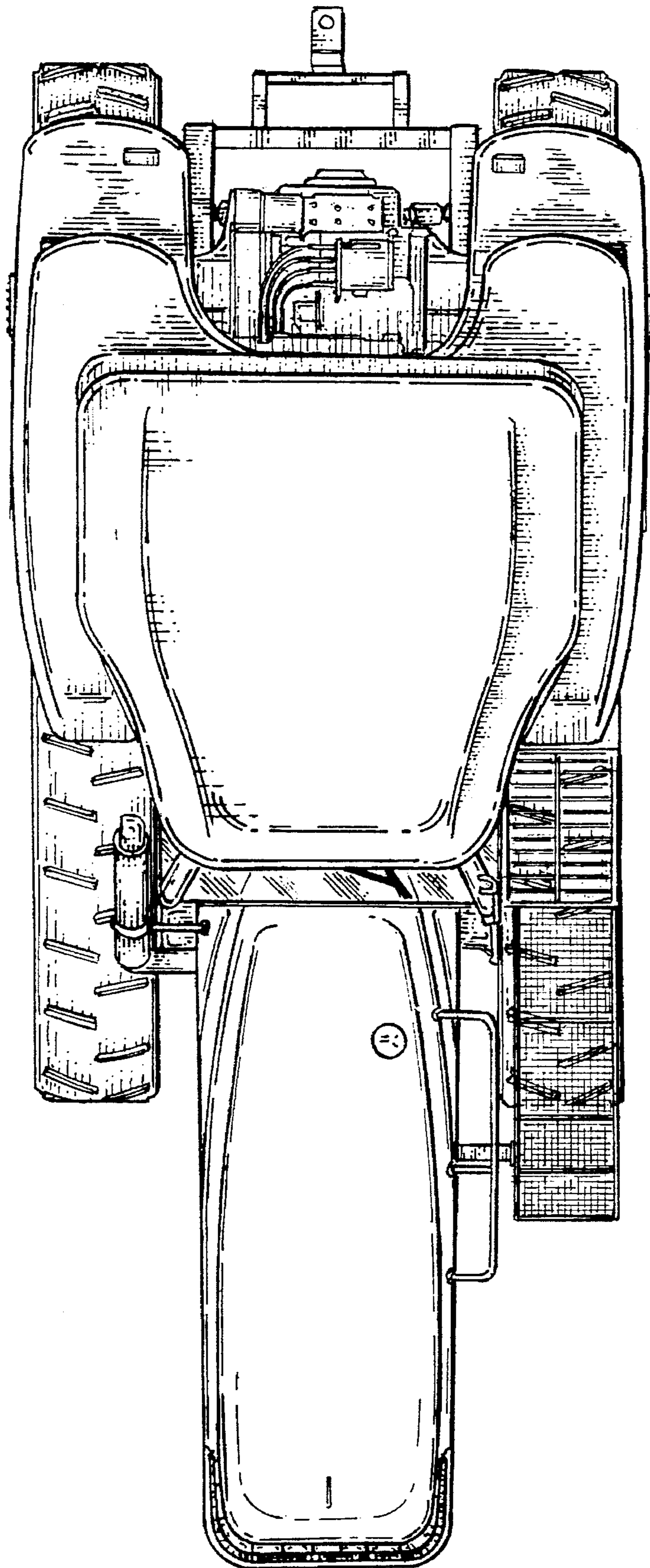
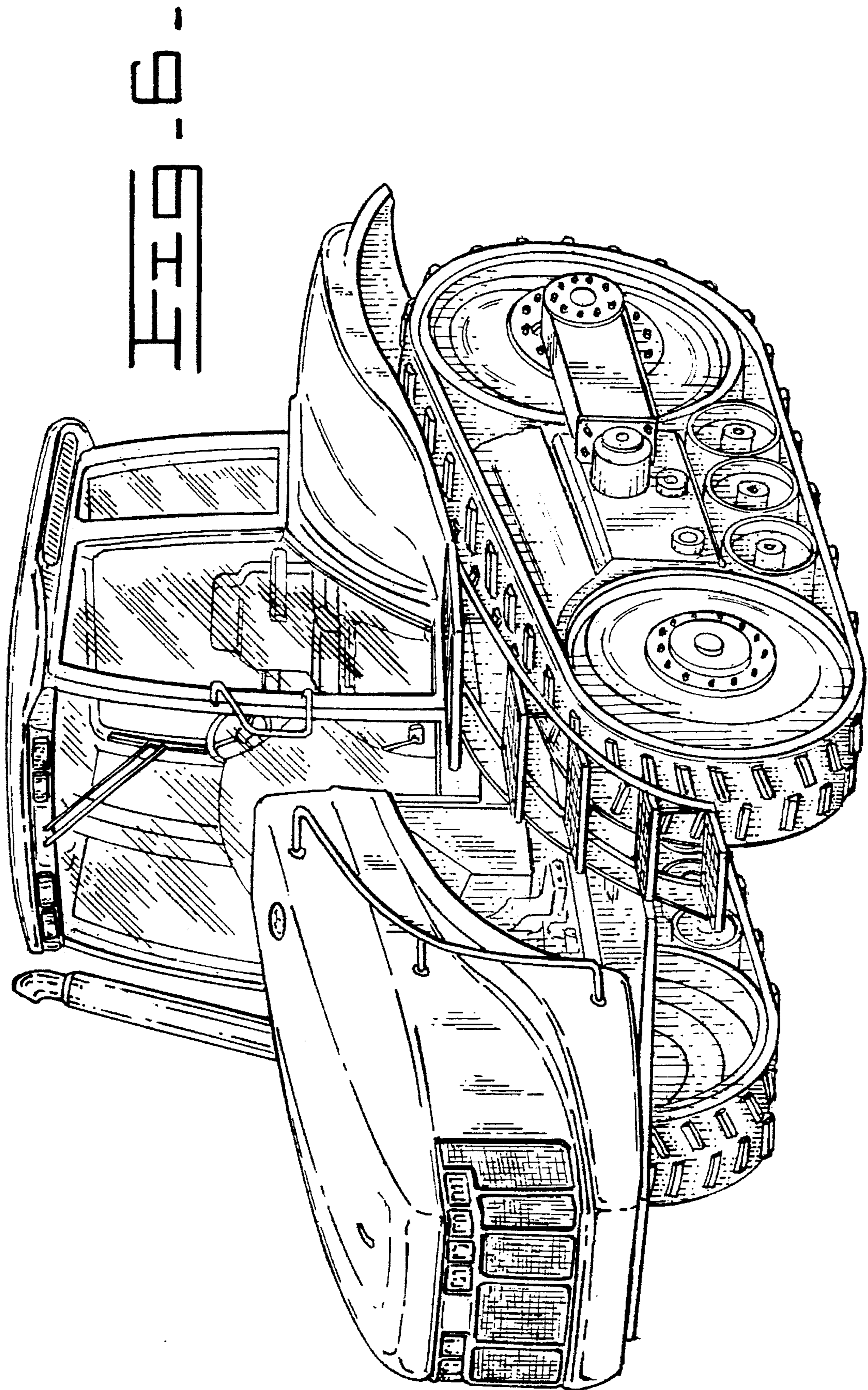


FIG. 5.





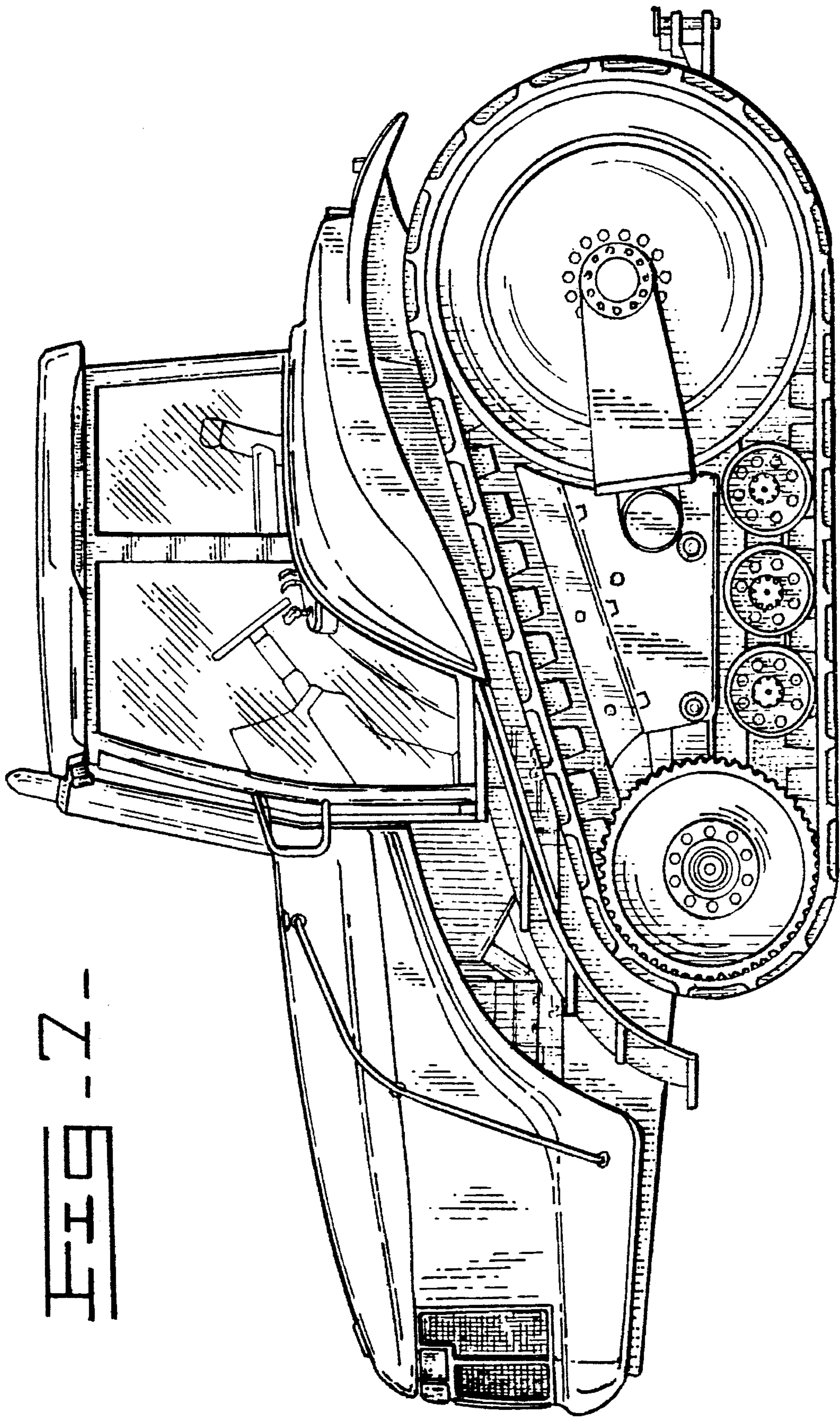


FIG. 7

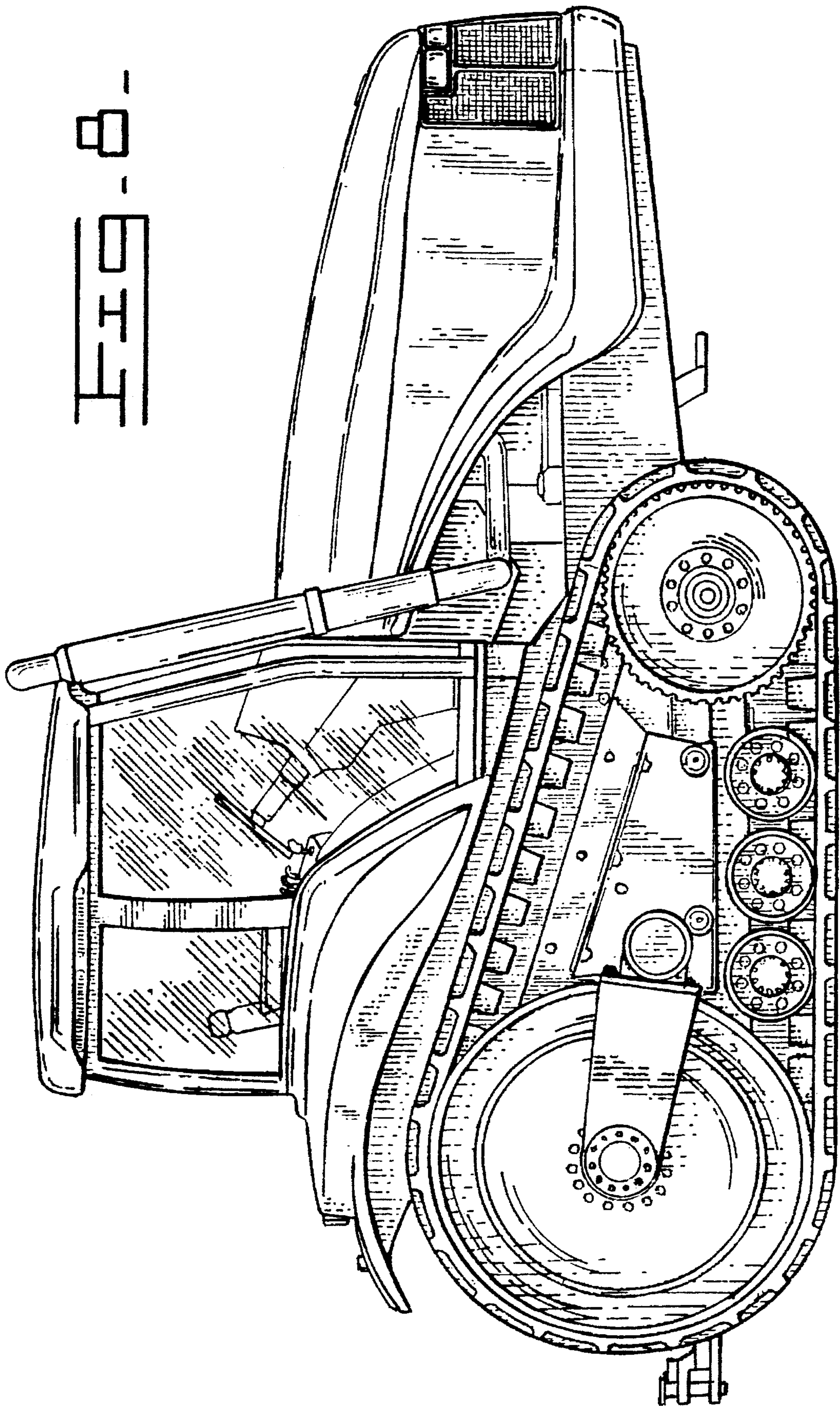


FIG. 9.

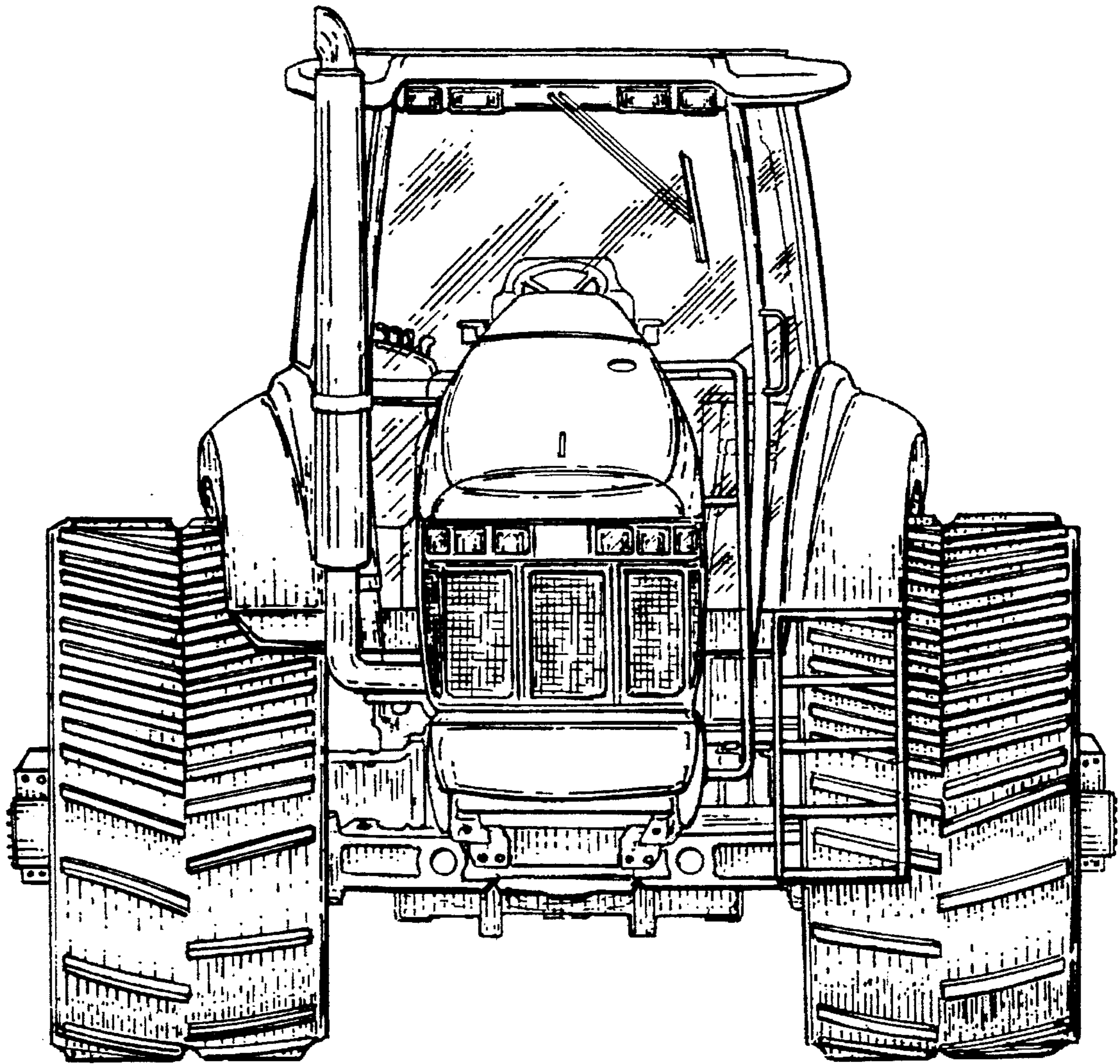


FIG. 10.

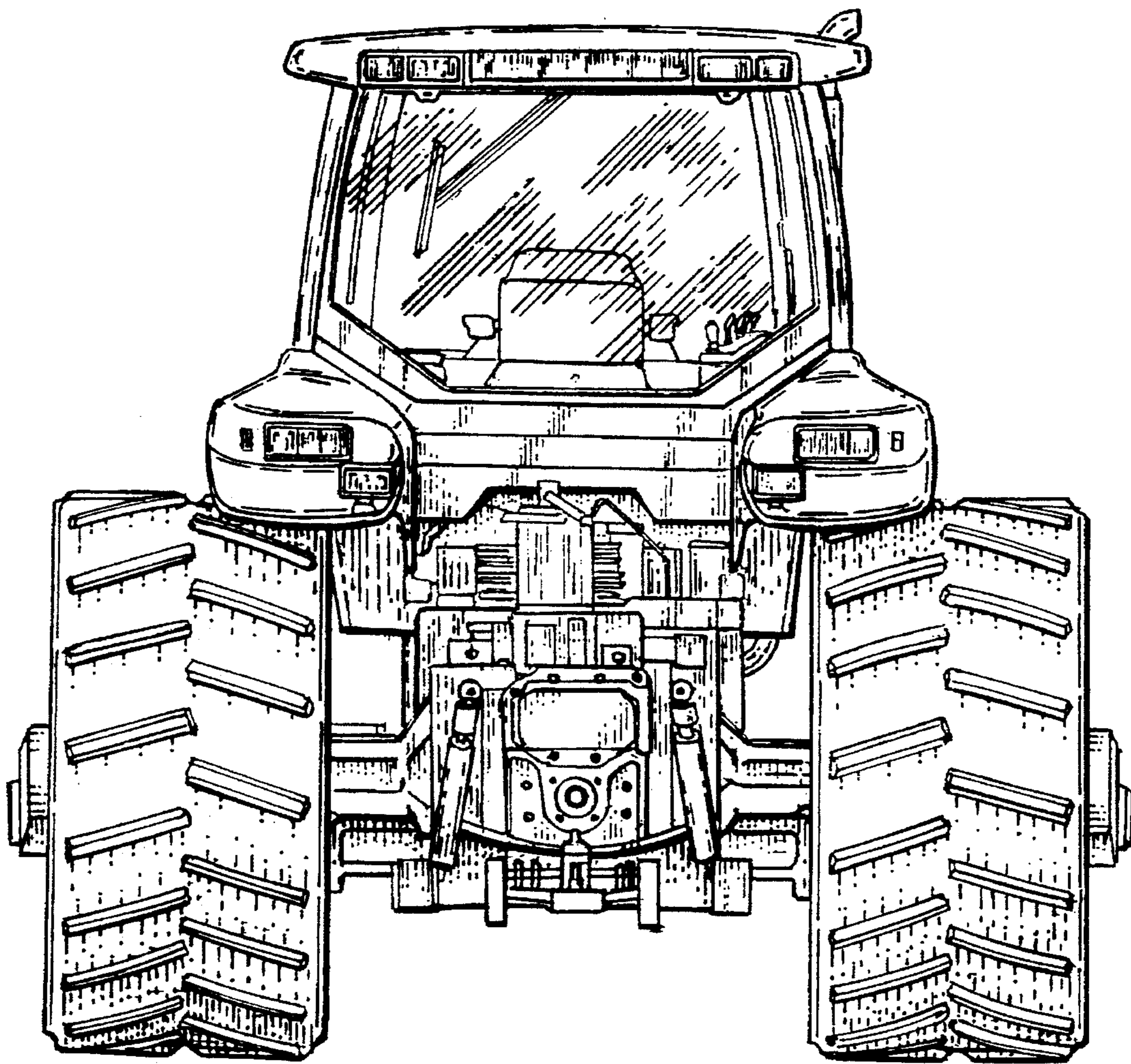


FIG - 11 -

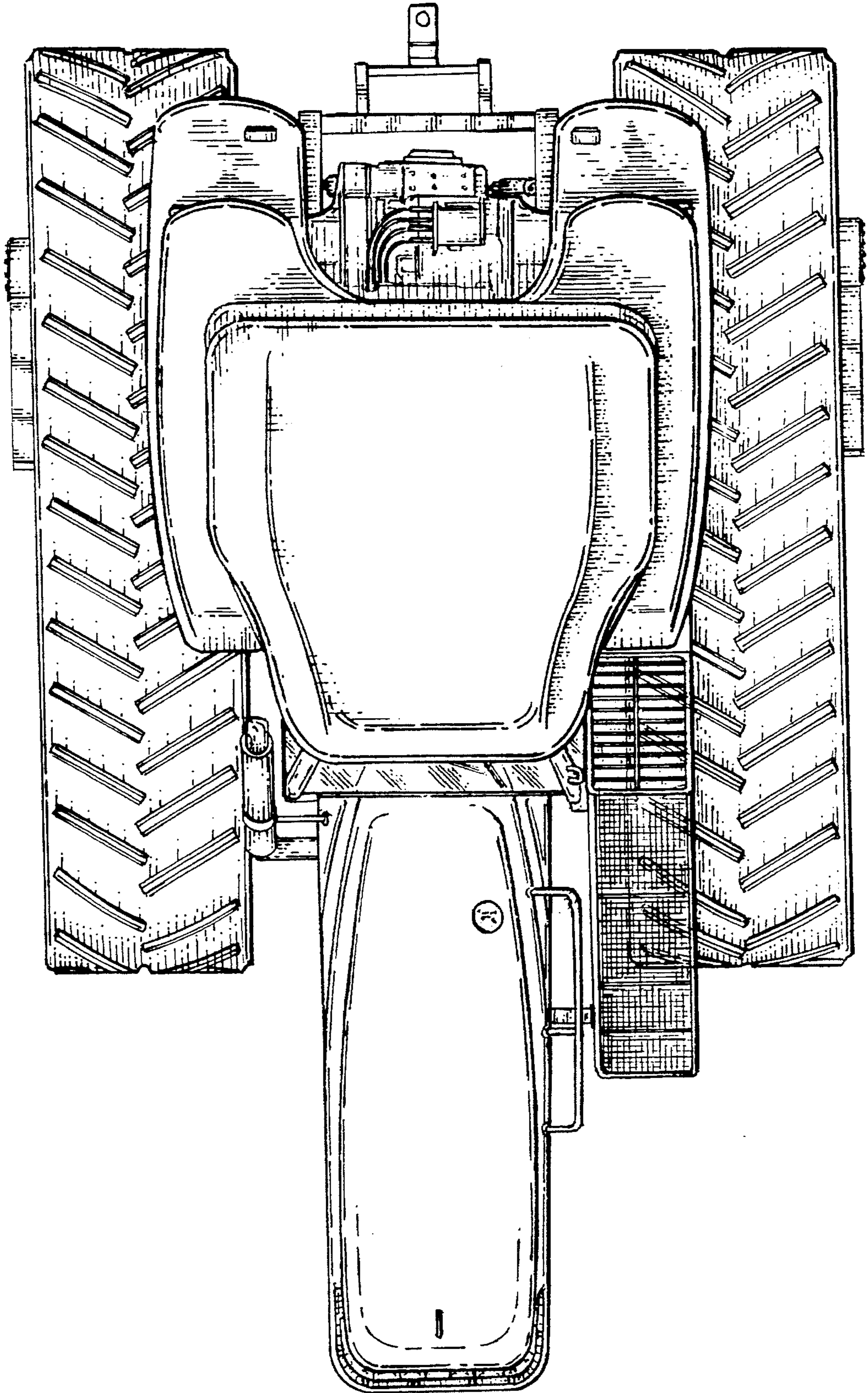


FIG. 12

