



US00D364876S

United States Patent [19] Tokiyama

[11] **Patent Number:** **Des. 364,876**

[45] **Date of Patent:** ****Dec. 5, 1995**

[54] **CONTROL HEAD FOR A MOBILE RADIO**

[75] Inventor: **Masaru Tokiyama**, Coral Springs, Fla.

[73] Assignee: **Motorola, Inc.**, Schaumburg, Ill.

[**] Term: **14 Years**

[21] Appl. No.: **6,029**

[22] Filed: **Mar. 18, 1993**

[52] U.S. Cl. **D14/258**

[58] **Field of Search** D14/124, 137,
D14/157, 217, 257, 258, 299; 455/73, 89-90,
128, 345-347

[56] **References Cited**

U.S. PATENT DOCUMENTS

- D. 293,671 1/1988 Beaumont D14/68
- D. 298,133 10/1988 Tokiyama et al. D14/157
- D. 306,857 3/1990 Beaumont D14/137
- D. 307,906 5/1990 Beaumont D14/157

- D. 312,456 11/1990 Kasparian et al. D14/258 X
- D. 317,307 6/1991 Kasparian et al. D14/137
- D. 330,204 10/1992 Tokiyama D14/258
- D. 330,711 11/1992 Tokiyama D14/257

Primary Examiner—Theodore M. Shooman
Assistant Examiner—Nanda Bondade
Attorney, Agent, or Firm—Dale W. Dorinski

[57] **CLAIM**

The ornamental design for a control head for a mobile radio, as shown and described.

DESCRIPTION

FIG. 1 is a left side elevational view of a control head for a mobile radio showing my new design; FIG. 2 is a front elevational view thereof; FIG. 3 is a right side elevational view thereof; FIG. 4 is a top plan view thereof; FIG. 5 is a bottom plan view thereof; and, FIG. 6 is a front, top and right side perspective view thereof.

1 Claim, 3 Drawing Sheets

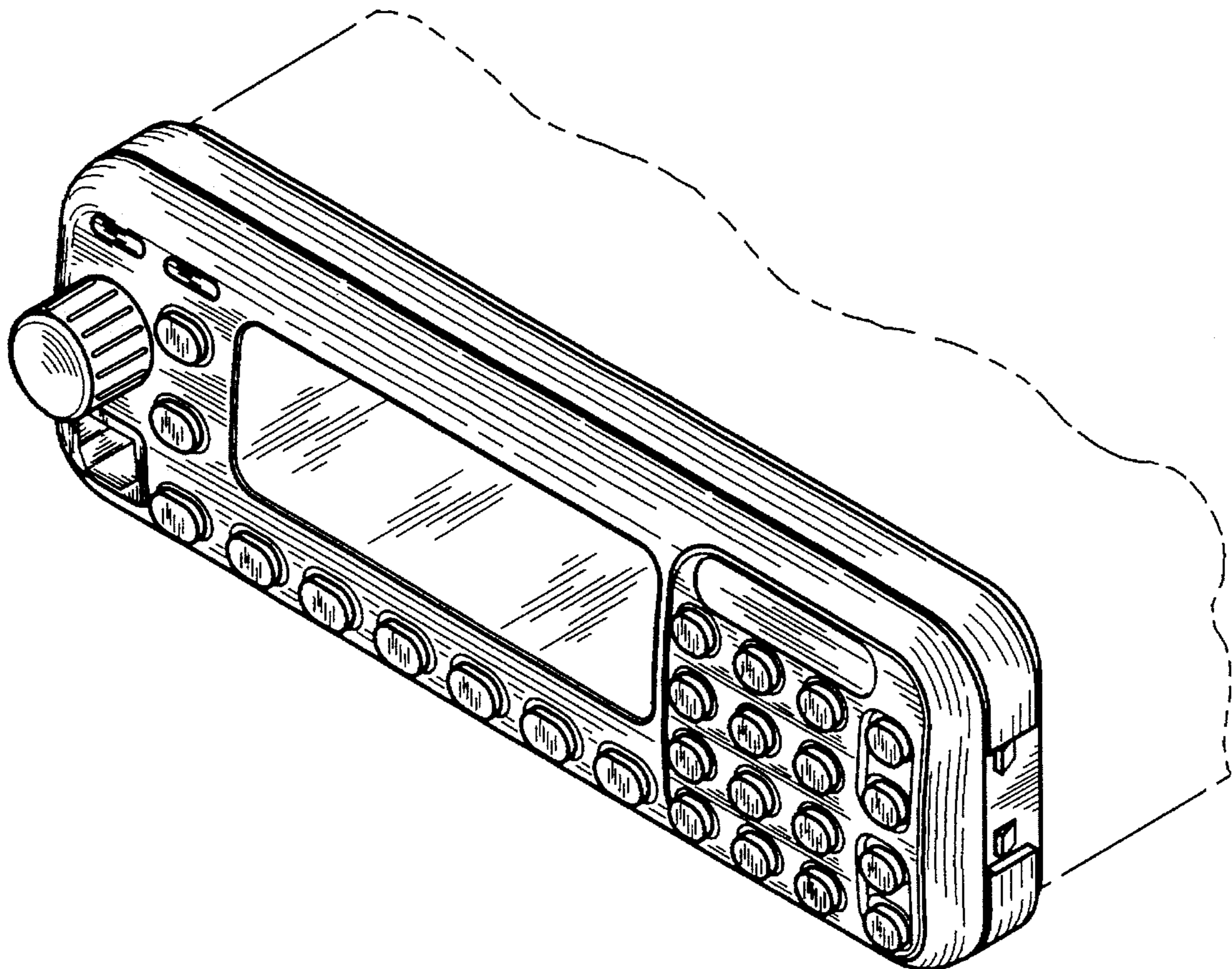


FIG. 3

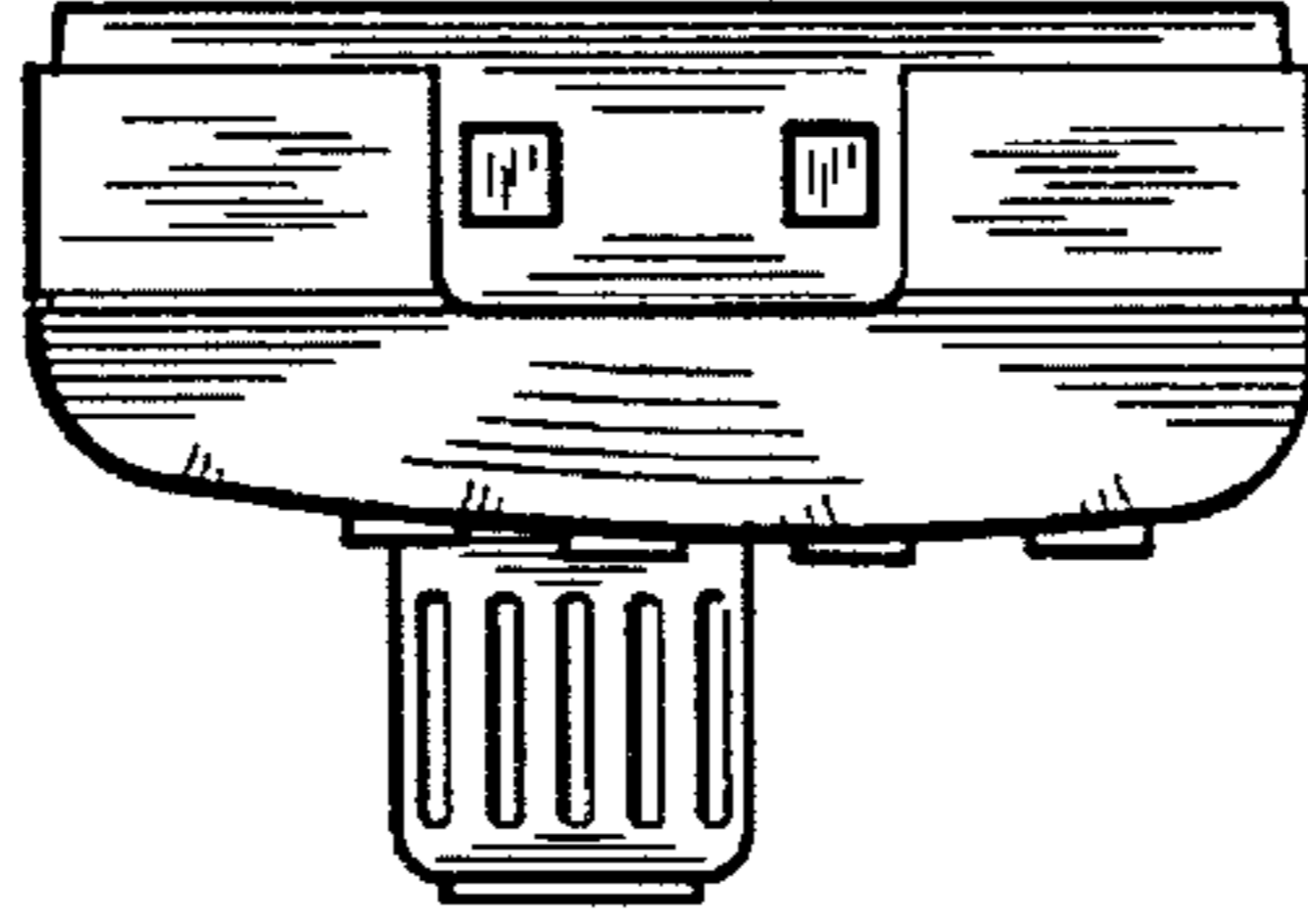


FIG. 2

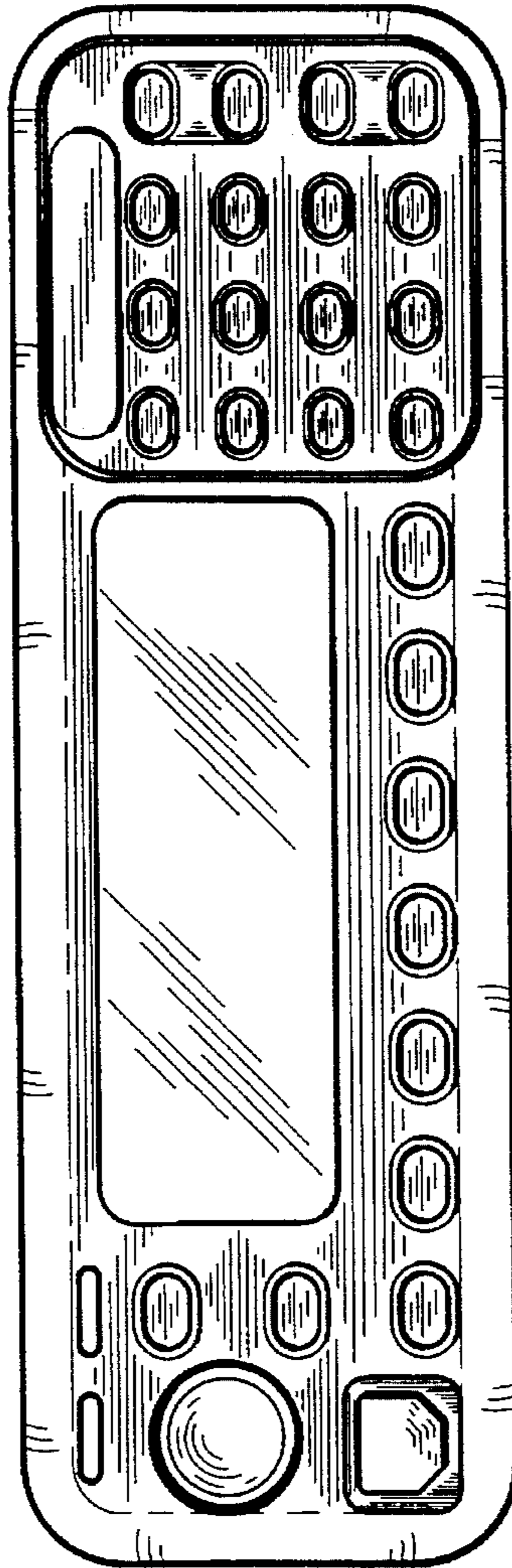


FIG. 1

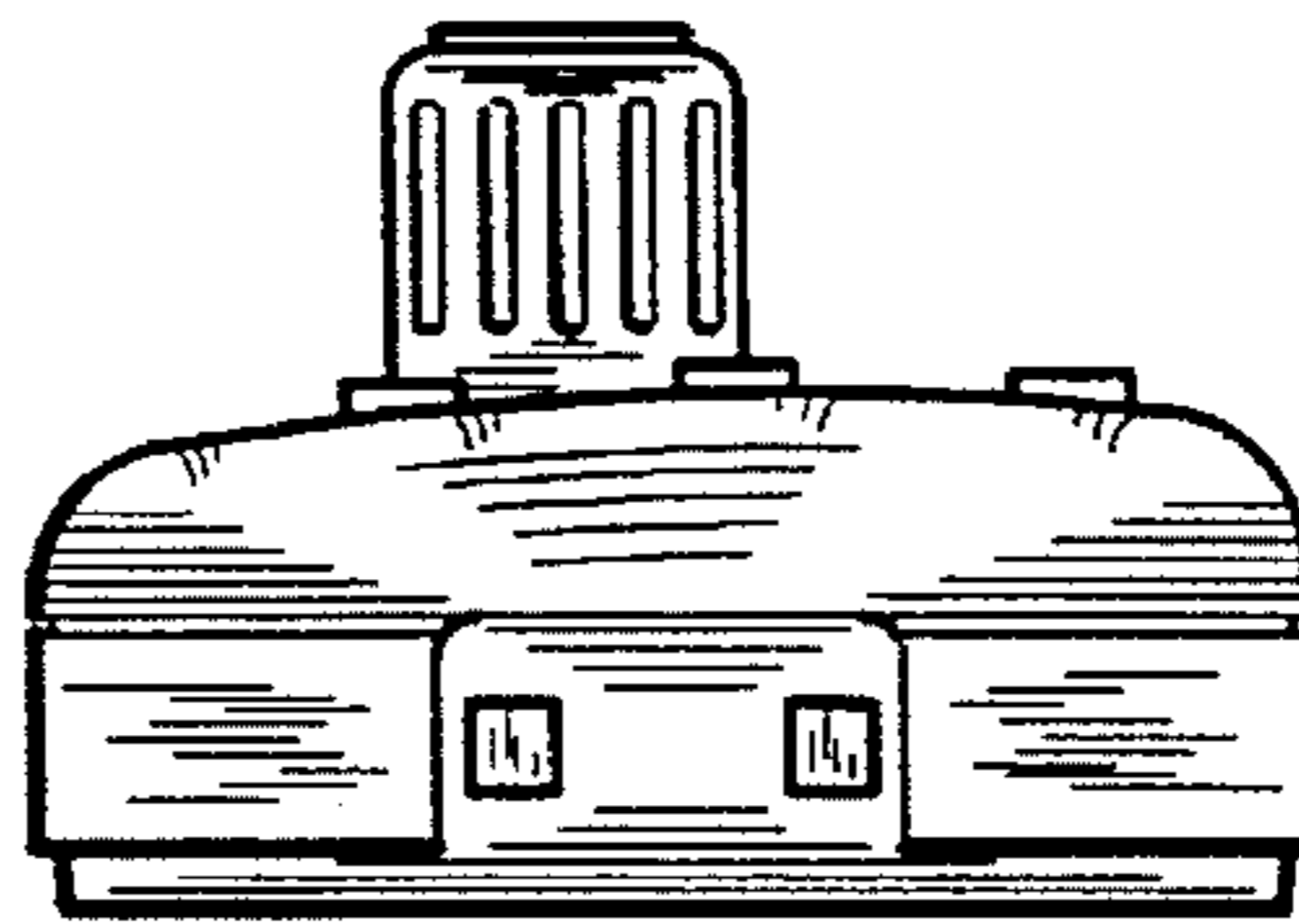


FIG. 4

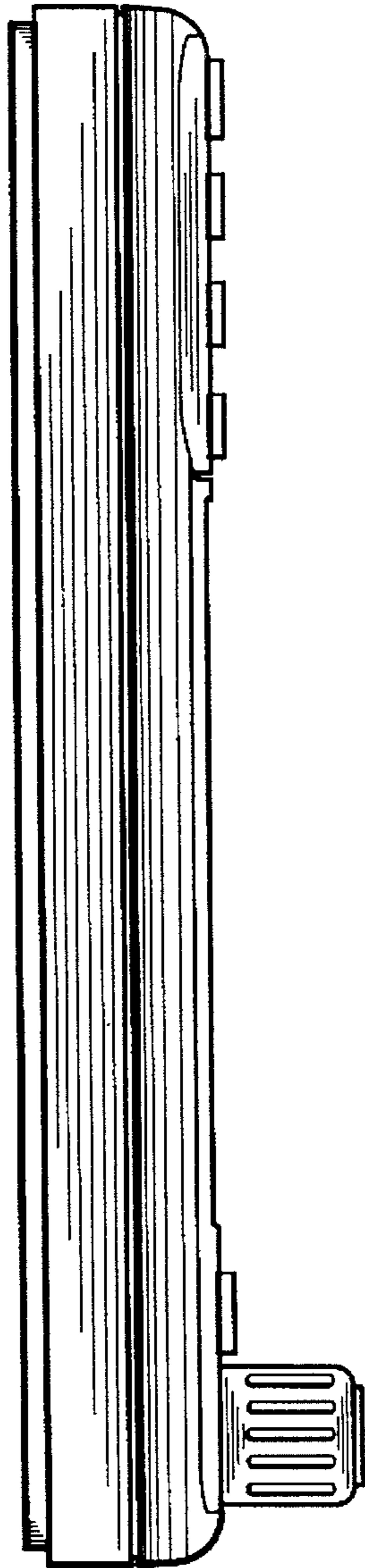


FIG. 5

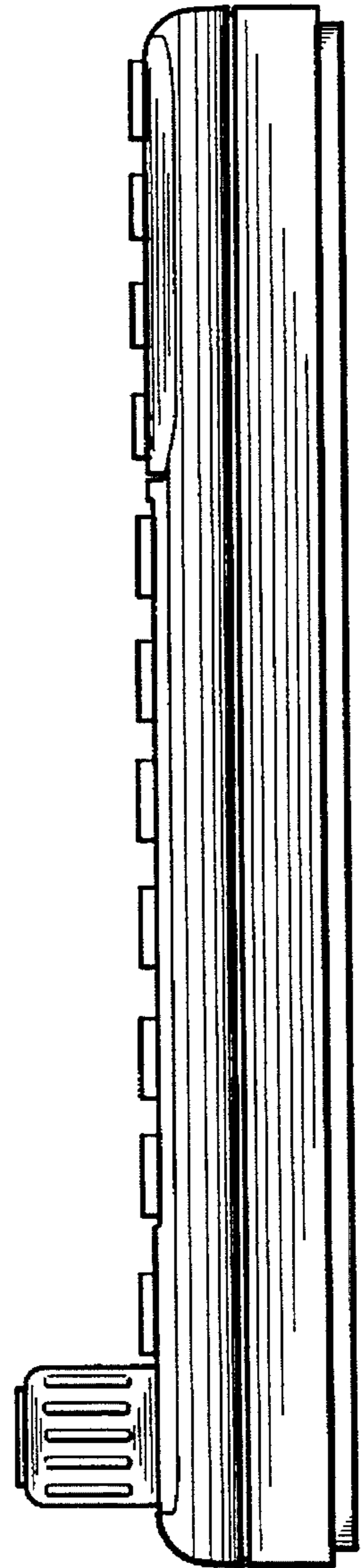


FIG. 6

