



US00D364874S

# United States Patent [19] Cheng

[11] **Patent Number:** **Des. 364,874**  
[45] **Date of Patent:** **\*\*Dec. 5, 1995**

[54] **ANTENNA**

[76] **Inventor:** **Yu-Feng Cheng**, No. 7, Fu Hsing St.,  
Tu Cheng City, Taipei Hsien, Taiwan

[\*\*] **Term:** **14 Years**

[21] **Appl. No.:** **17,452**

[22] **Filed:** **Jan. 13, 1994**

[52] **U.S. Cl.** ..... **D14/235; D14/230**

[58] **Field of Search** ..... **D14/230, 231,**  
**D14/235, 236; 343/720, 761, 781 R, 900,**  
**901, 907, 908, 912**

[56] **References Cited**

**U.S. PATENT DOCUMENTS**

- D. 156,379 12/1949 Spirt ..... D14/235
- D. 244,040 4/1977 Pizon ..... D14/230
- D. 245,778 9/1977 Langner ..... D14/230

*Primary Examiner*—Dominic Simone  
*Attorney, Agent, or Firm*—Rogers, Howell & Haferkamp

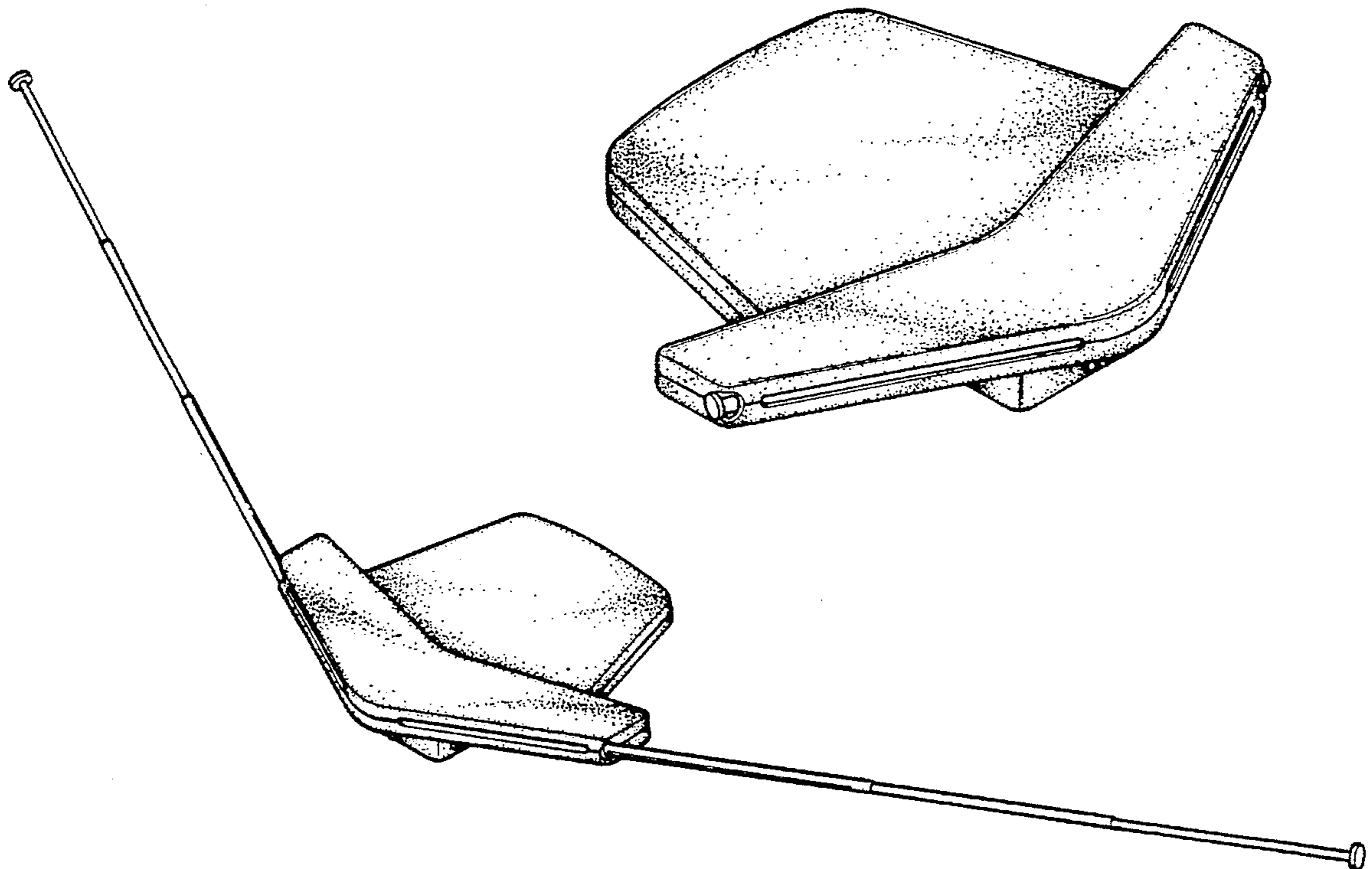
[57] **CLAIM**

The ornamental design for an antenna, as shown and described.

**DESCRIPTION**

FIG. 1 is a front-left-top perspective view of an antenna, showing my new design;  
FIG. 2 is a front view thereof;  
FIG. 3 is a rear view thereof;  
FIG. 4 is a left side view thereof, the right side view being a mirror image;  
FIG. 5 is a top view thereof;  
FIG. 6 is a bottom view thereof; and,  
FIG. 7 is a front-right-top perspective view of the antenna in an extended position.

**1 Claim, 3 Drawing Sheets**



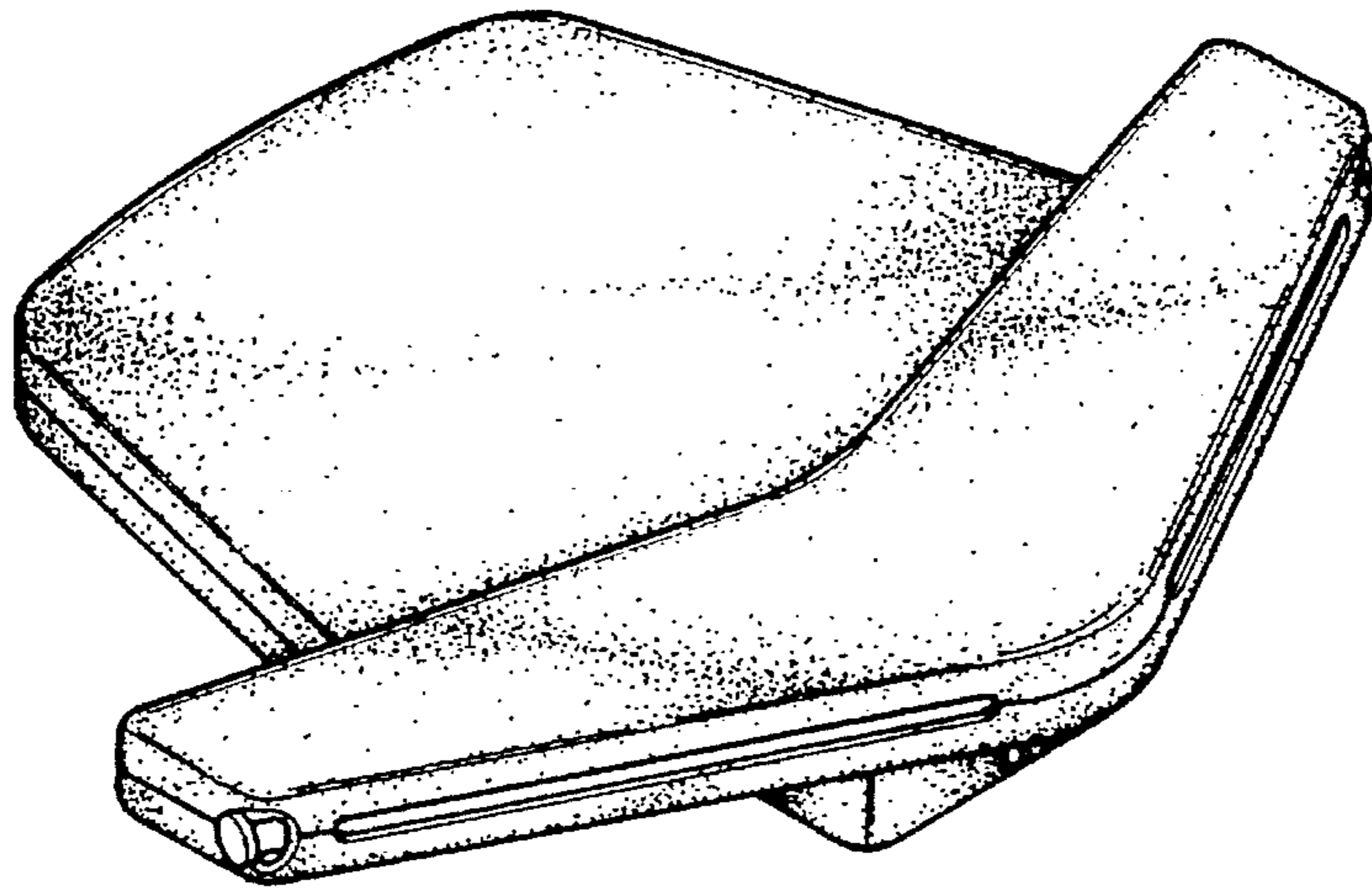


FIG. 1

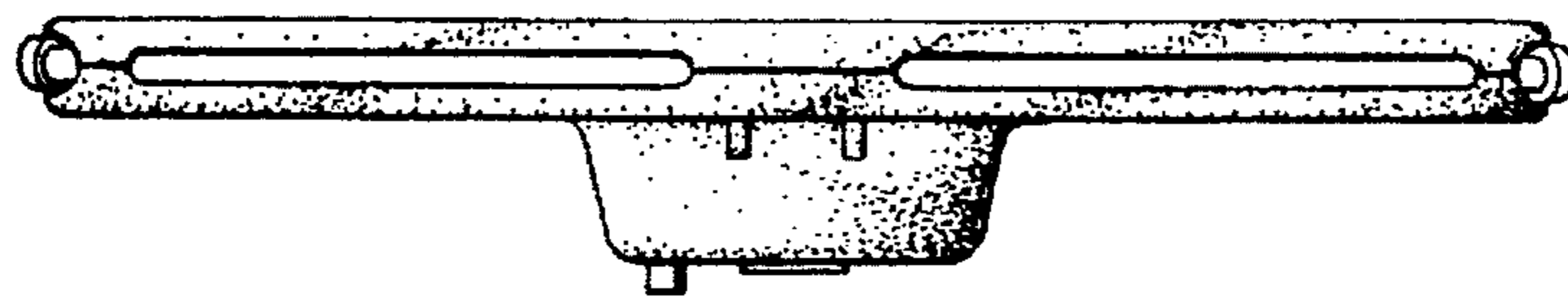


FIG. 2

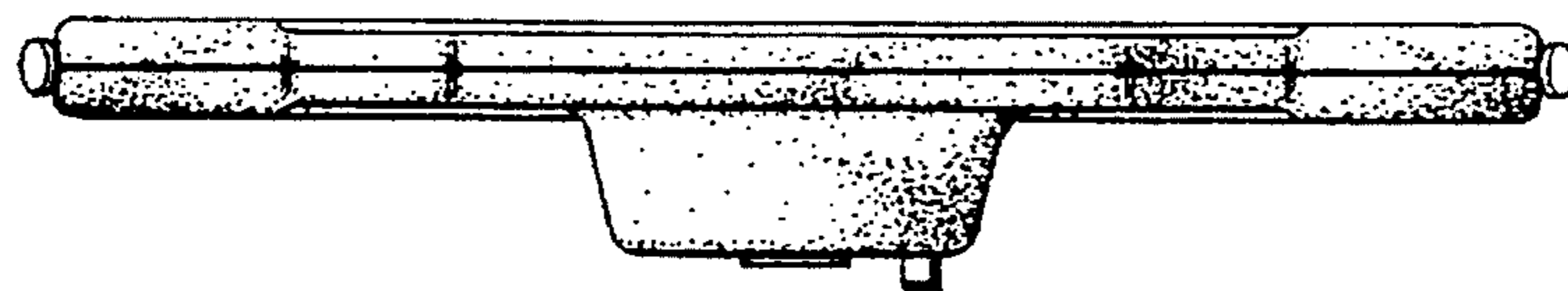


FIG. 3

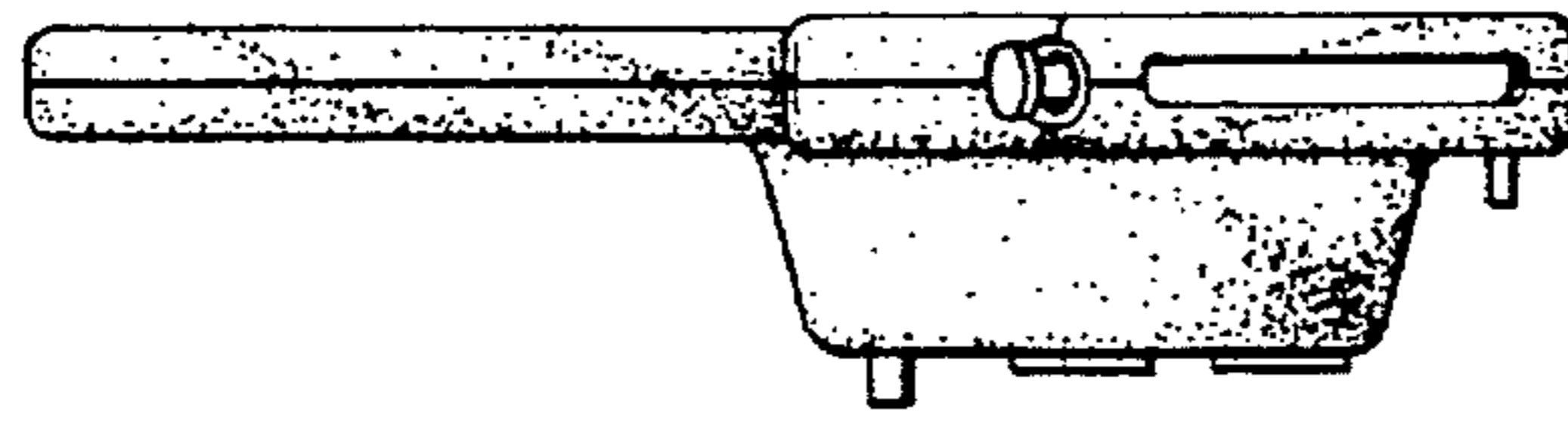


FIG. 4

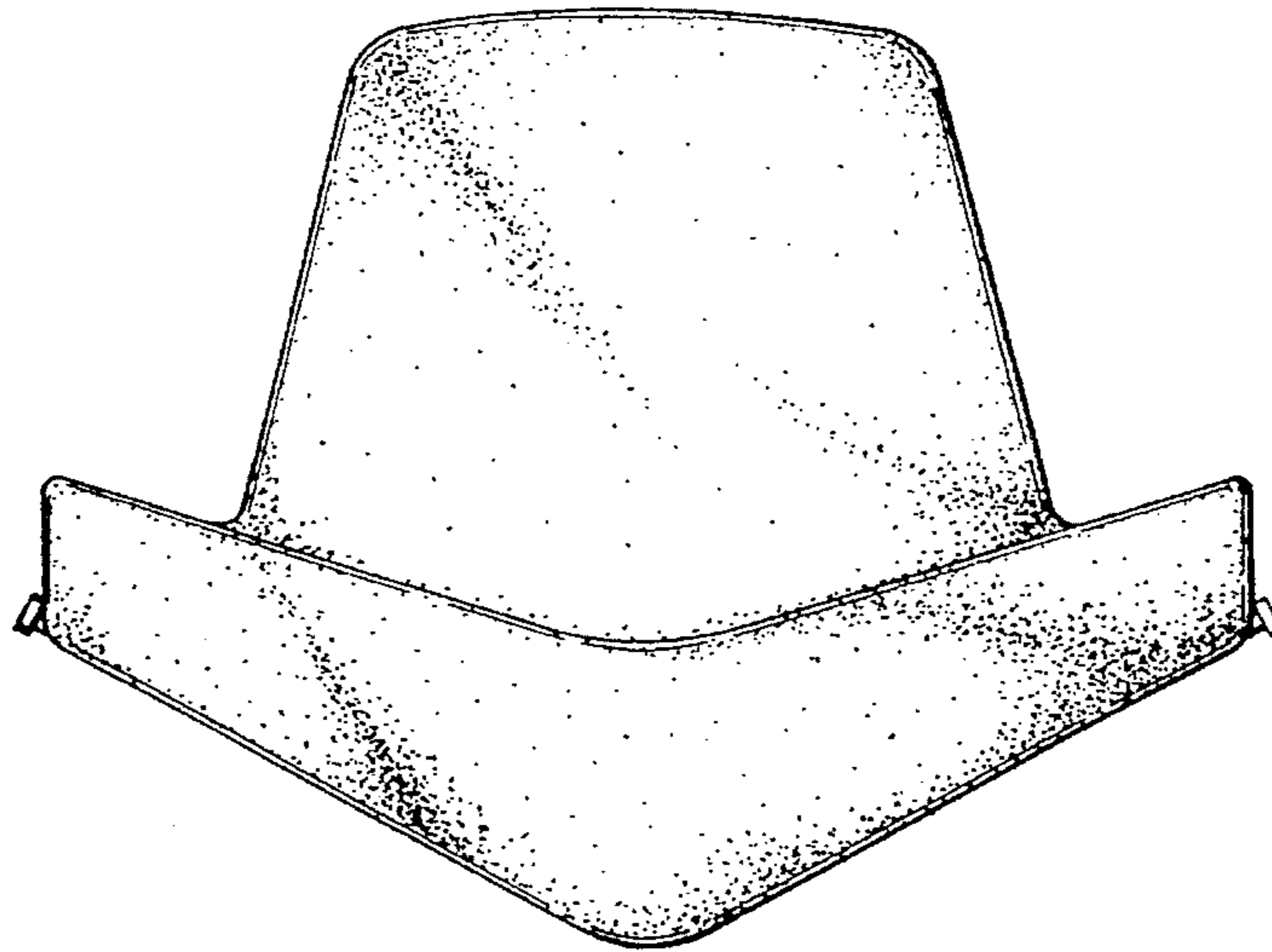


FIG. 5

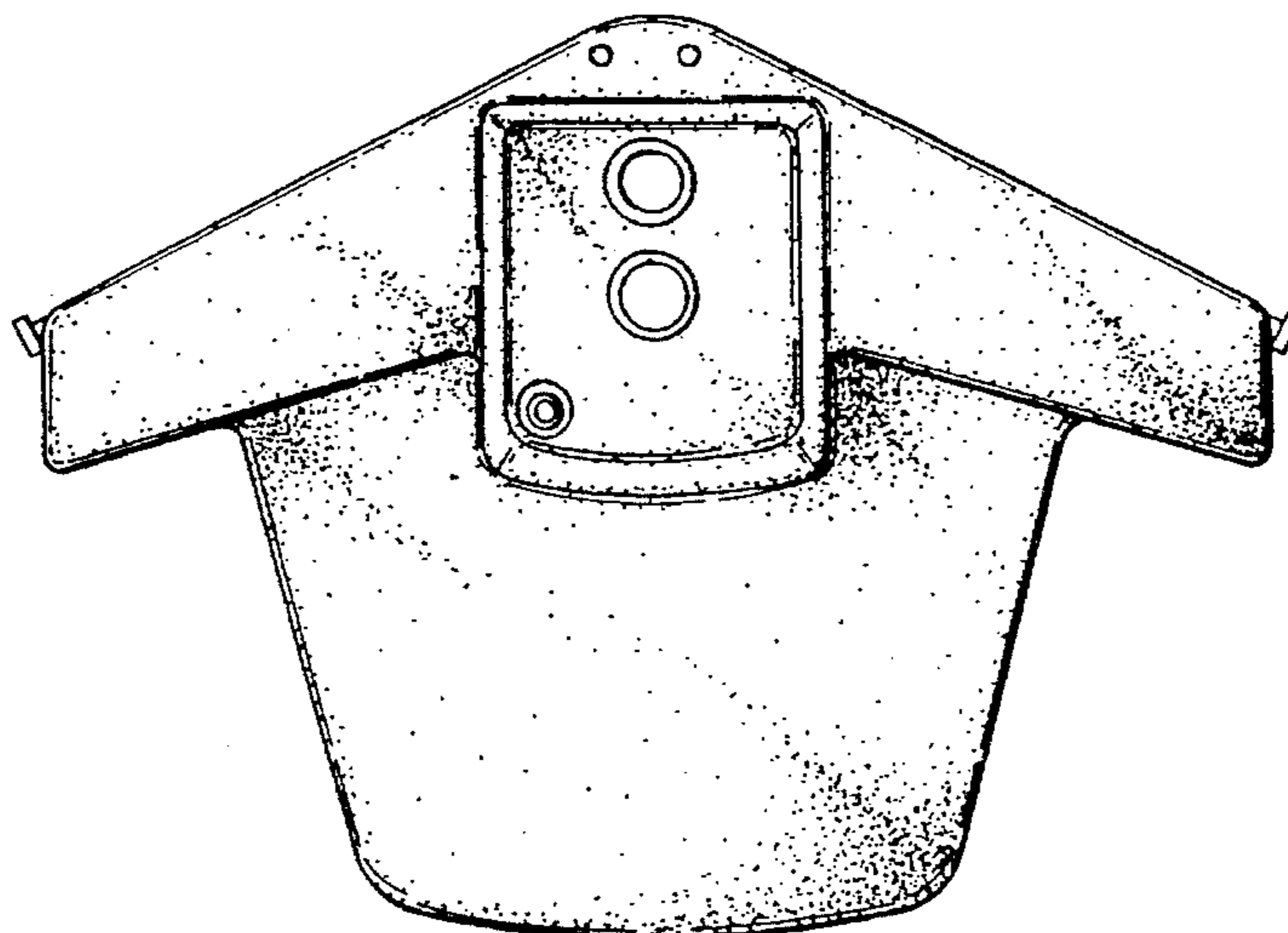


FIG. 6

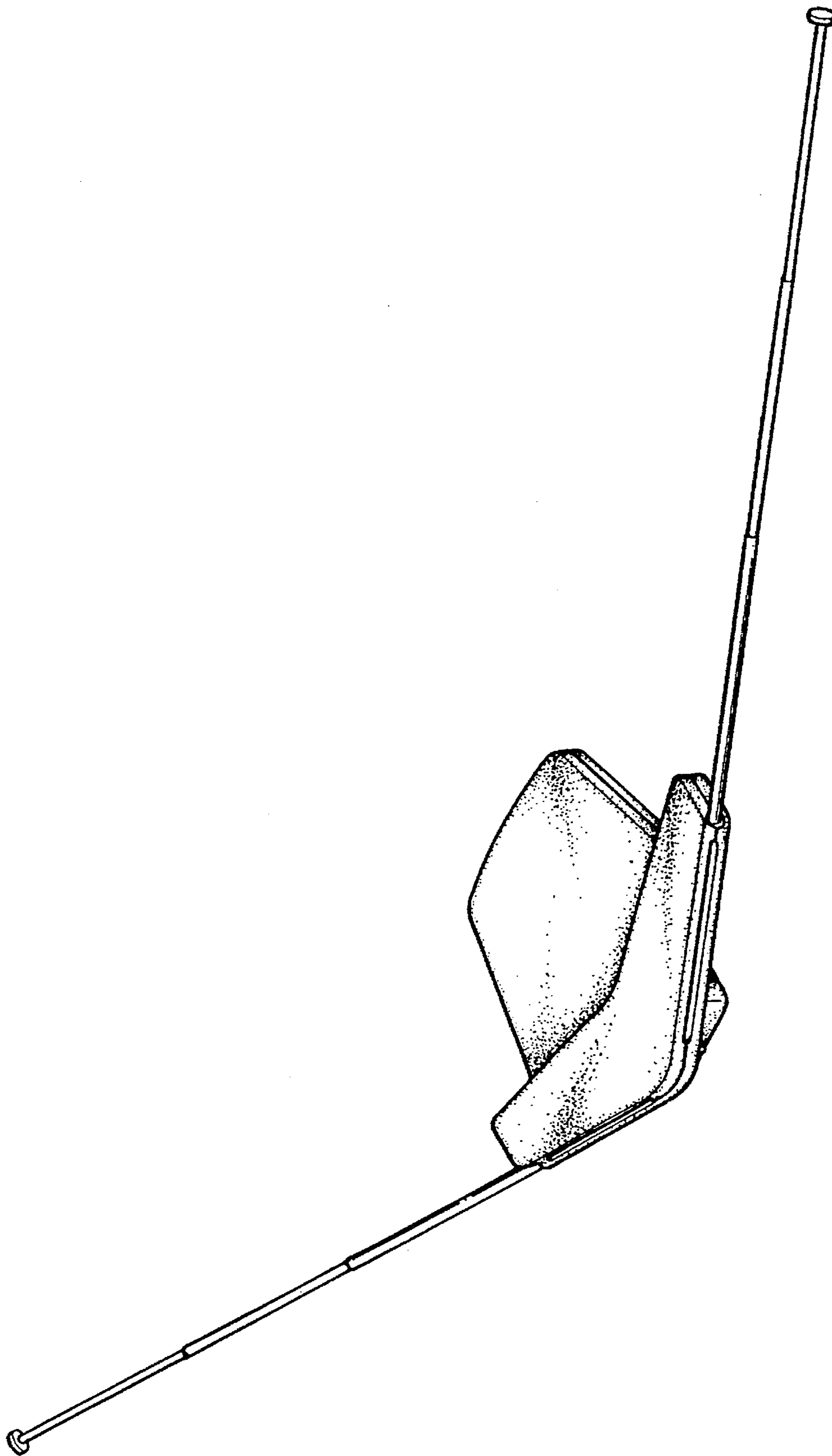


FIG. 7