



US00D364868S

# United States Patent [19]

**Kao**

[11] **Patent Number: Des. 364,868**

[45] **Date of Patent: \*\*Dec. 5, 1995**

[54] **TELEPHONE**

[75] Inventor: **Chi-Lei Kao**, Shin Jwu, Taiwan

[73] Assignee: **Amy Yeh**, Taipei Hsien, Taiwan

[\*\*] Term: **14 Years**

[21] Appl. No.: **31,547**

[22] Filed: **Nov. 22, 1994**

[52] U.S. Cl. .... **D14/151**

[58] **Field of Search** ..... D14/149, 150,  
D14/151, 140, 142, 115, 240, 144, 241,  
143; 379/419, 420, 428, 440, 434-436,  
454, 455; D18/7; D21/111

[56] **References Cited**

**U.S. PATENT DOCUMENTS**

D. 292,919	11/1987	Lagerbielke et al. ....	D14/151
D. 294,249	2/1988	Hyvonen .....	D14/151
D. 298,545	11/1988	Yoshioka et al. ....	D18/7
D. 298,620	11/1988	Ohta et al. ....	D14/150
D. 309,733	8/1990	Yuan .....	D14/150

D. 318,287	7/1991	Tsukamoto .....	D18/7
D. 339,800	9/1993	Louis .....	D14/115
D. 346,383	4/1994	Mehle-Hohnjec et al. ....	D14/150
D. 348,876	7/1994	Beltz .....	D14/115
D. 352,278	11/1994	Sharpe, III et al. ....	D14/115 X
D. 356,075	3/1995	Paloyan et al. ....	D14/115

*Primary Examiner*—Jeffrey Asch  
*Attorney, Agent, or Firm*—Morton J. Rosenberg; David I. Klein

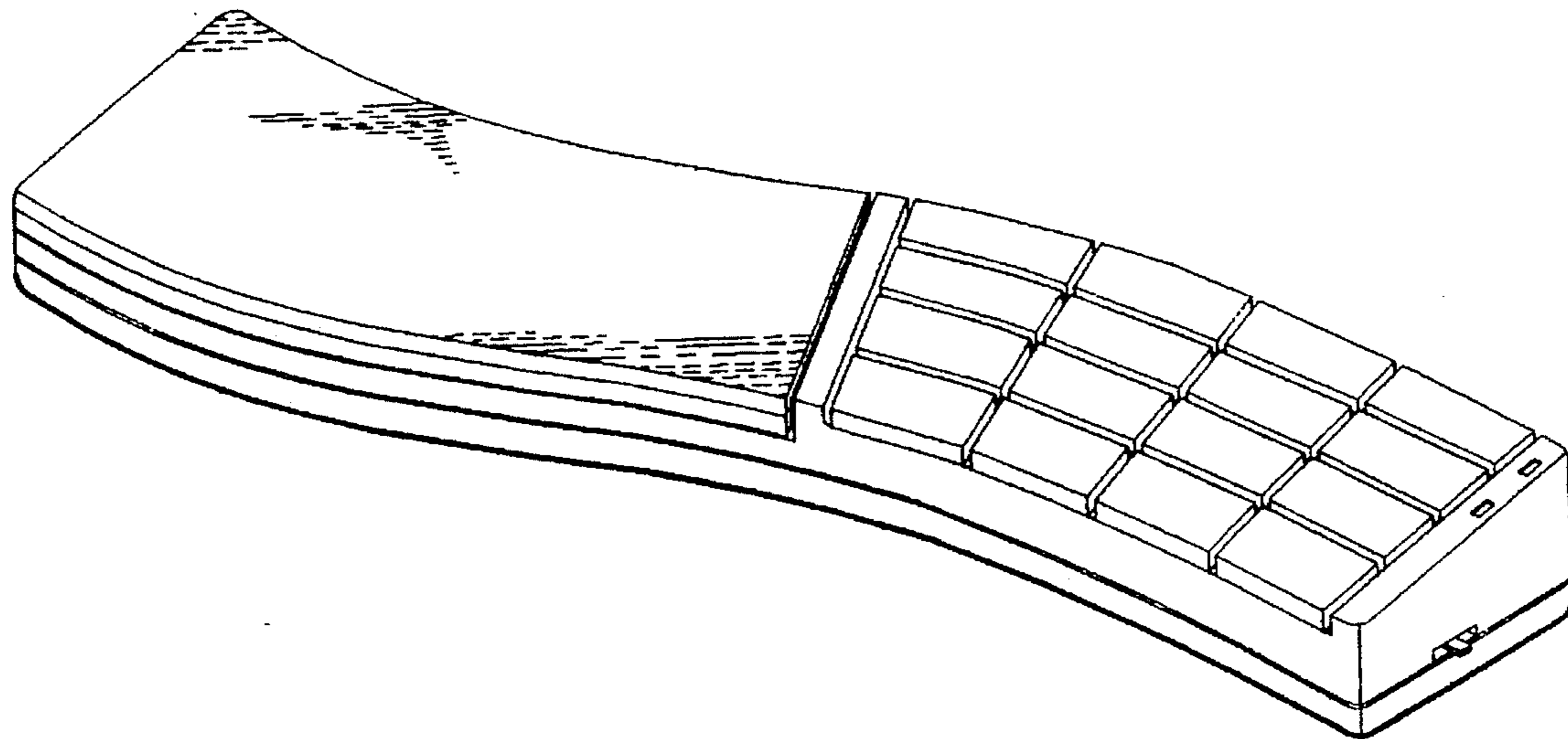
[57] **CLAIM**

The ornamental design for a telephone, as shown.

**DESCRIPTION**

FIG. 1 is the perspective view of a telephone showing my new design;  
FIG. 2 is the front side view thereof;  
FIG. 3 is the rear side view thereof;  
FIG. 4 is the left side view thereof;  
FIG. 5 is the right side view thereof;  
FIG. 6 is the top side view thereof; and,  
FIG. 7 is the bottom side view thereof.

**1 Claim, 4 Drawing Sheets**



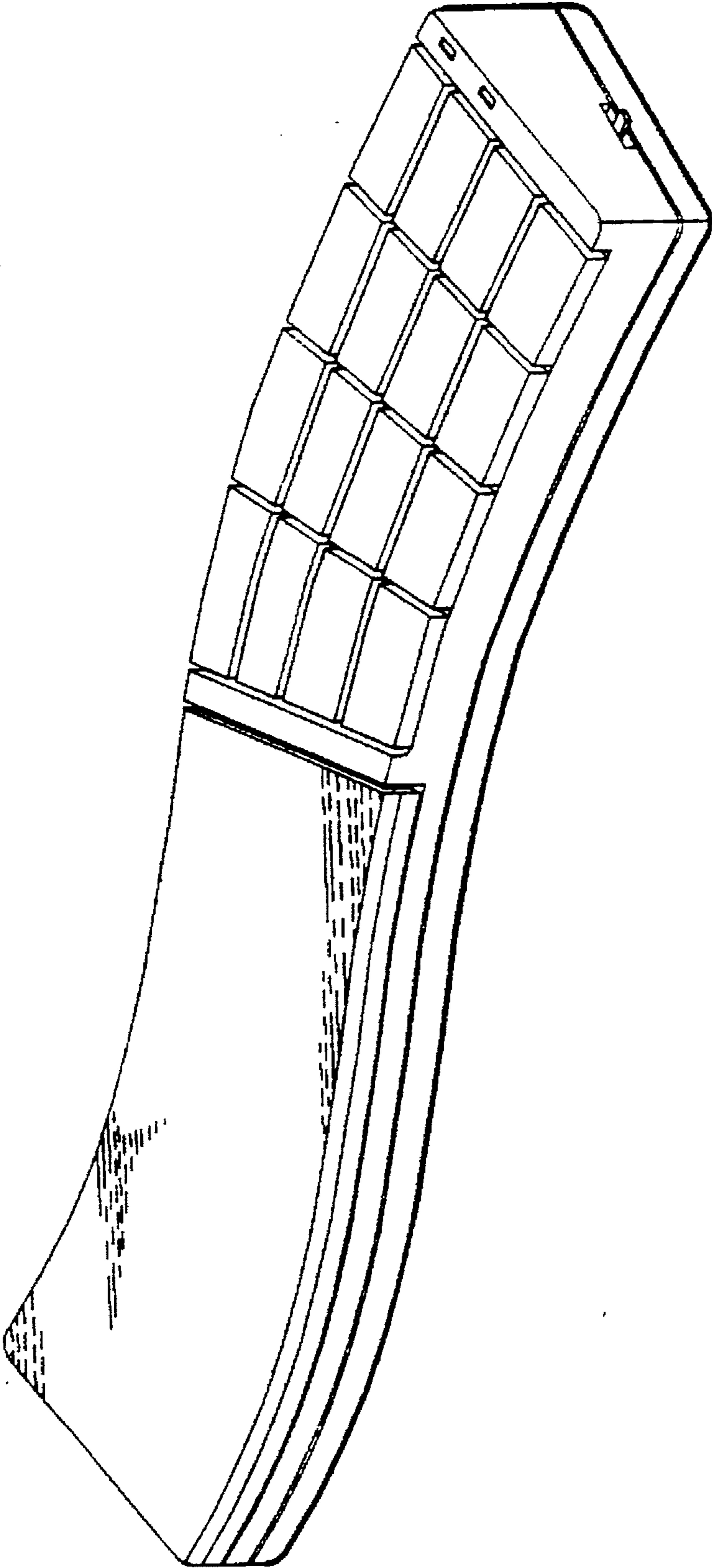


FIG. 1

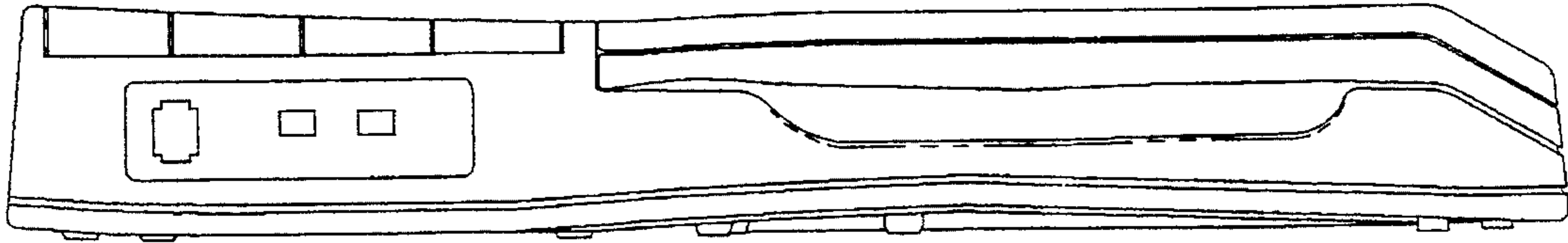


FIG. 3

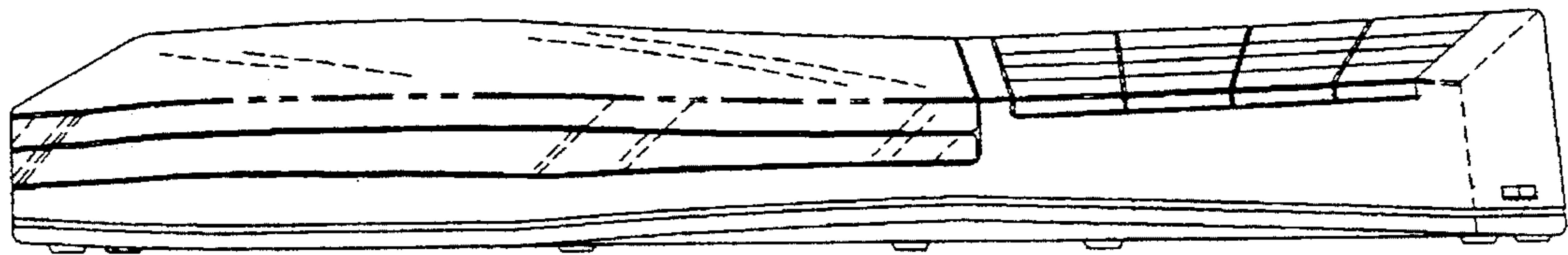


FIG. 2

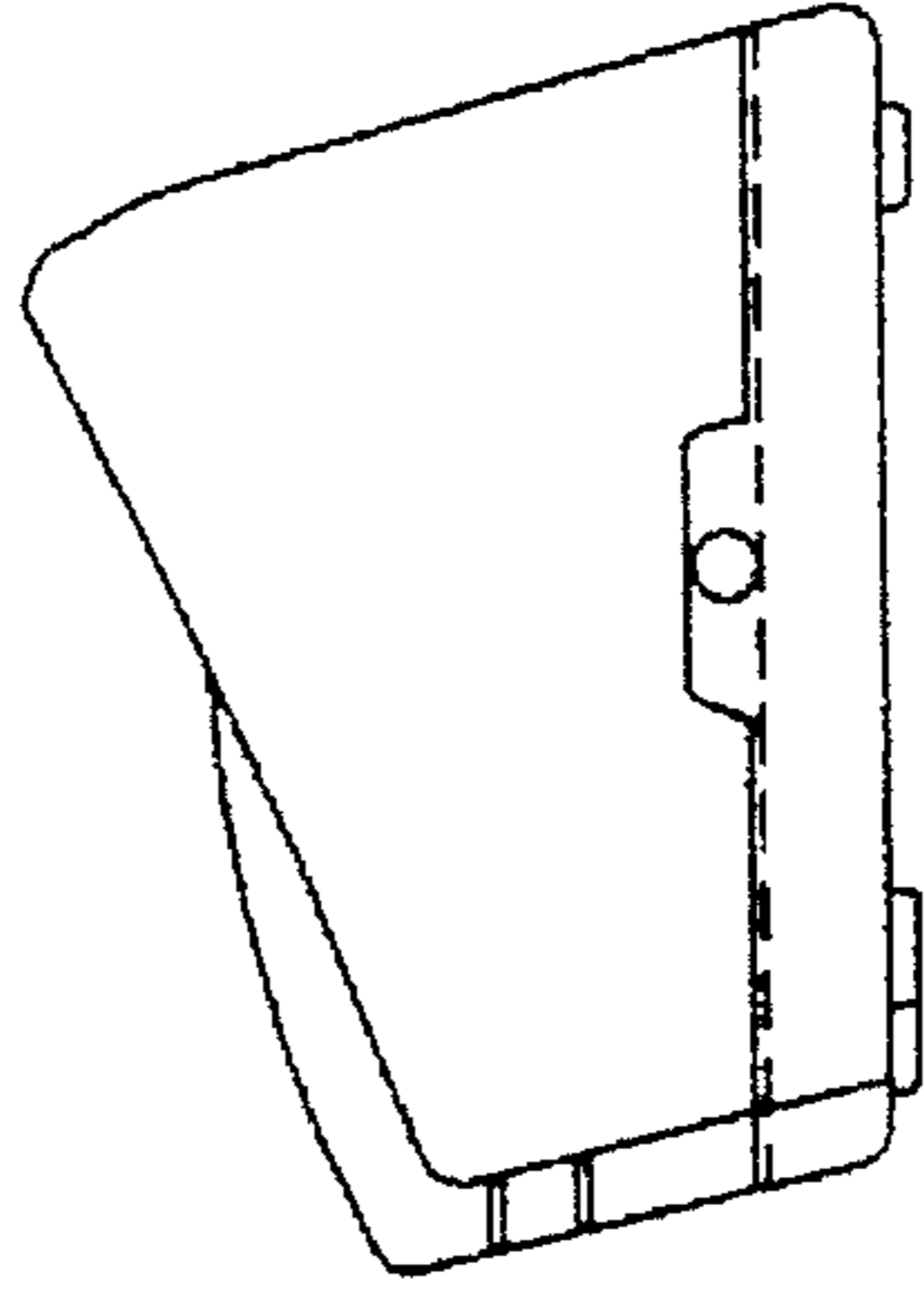


FIG. 5

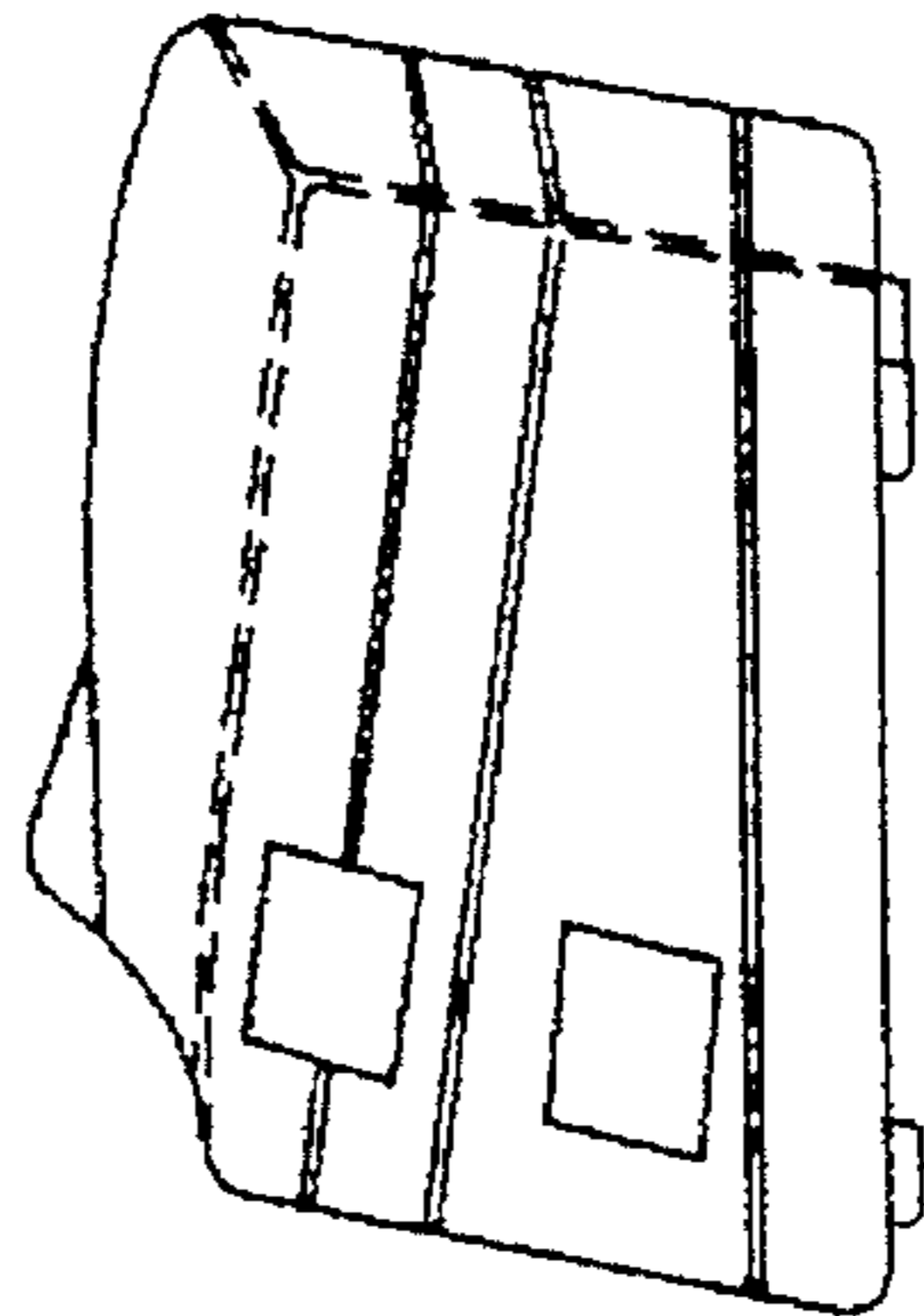


FIG. 4

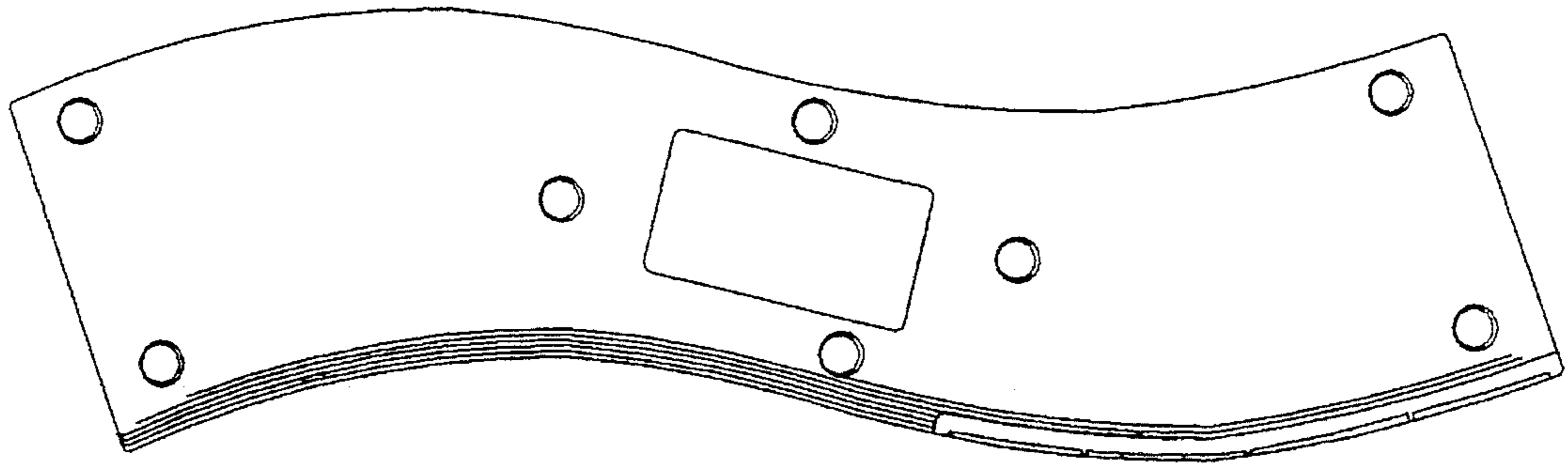


FIG. 7

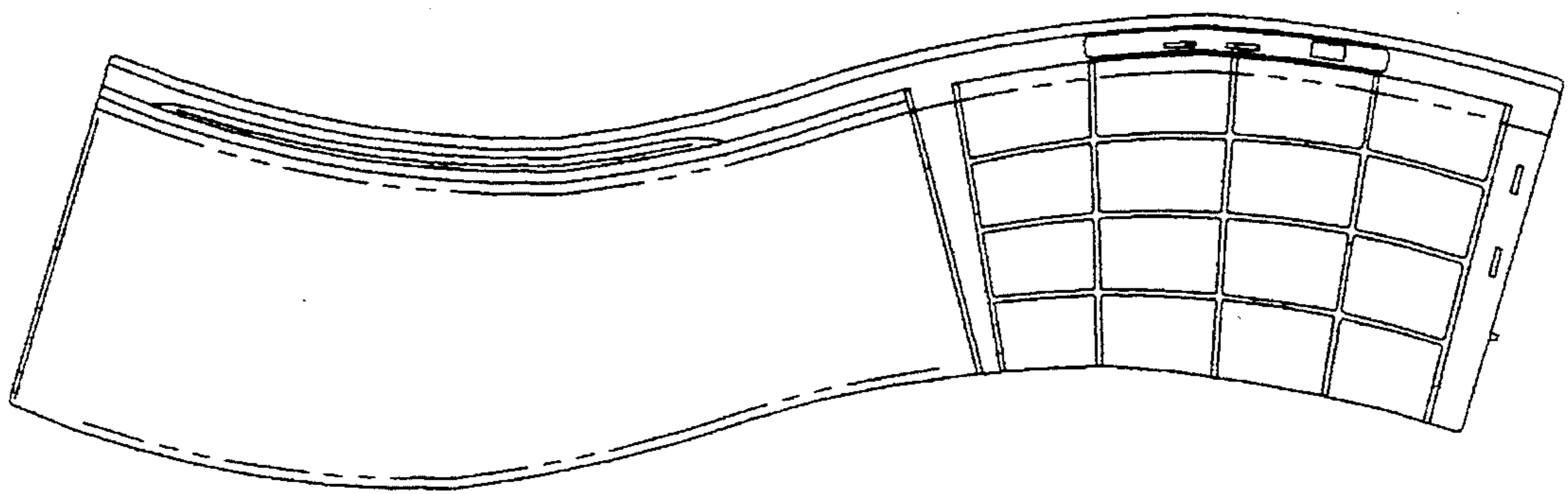


FIG. 6