



US00D364862S

United States Patent [19]

[11] Patent Number: **Des. 364,862**

Hilbrink et al.

[45] Date of Patent: ****Dec. 5, 1995**

[54] **COMPUTER PALM MOUSE**

[75] Inventors: **Johan O. Hilbrink**, Blue Ash, Ohio;
Donald W. Carr, Birmingham, Mich.;
Francis J. McFadden, Beavercreek,
Ohio

[73] Assignee: **NCR Corporation**, Dayton, Ohio

[**] Term: **14 Years**

[21] Appl. No.: **35,071**

[22] Filed: **Feb. 21, 1995**

D. 309,449	7/1990	MacDonald et al.	D14/114
D. 317,950	7/1991	Tse	D21/48
D. 318,496	7/1991	Tse	D21/48
D. 331,398	12/1992	Clouss et al.	D14/114
4,862,165	8/1989	Gart	341/20
4,905,001	2/1990	Penner	341/20
4,954,817	9/1990	Levine	345/179

Primary Examiner—Melanie H. Tung
Attorney, Agent, or Firm—Paul W. Martin

[57] **CLAIM**

The ornamental design for a computer palm mouse, as shown and described.

DESCRIPTION

FIG. 1 is a bottom perspective view of a computer palm mouse showing our new design;
FIG. 2 is a front view of the article of FIG. 1;
FIG. 3 is a rear view of the computer palm mouse of FIG. 1;
FIG. 4 is a right side view of the computer palm mouse of FIG. 1;
FIG. 5 is a left side view of the computer palm mouse of FIG. 1;
FIG. 6 is a top view of the computer palm mouse of FIG. 1;
and,
FIG. 7 is a top perspective view of the computer palm mouse of FIG. 1.

Related U.S. Application Data

- [62] Division of Ser. No. 4,251, Jan. 29, 1993, Pat. No. Des. 355,900.
- [52] **U.S. Cl.** **D14/114**
- [58] **Field of Search** D14/100, 114;
D13/158; D21/48; 178/18-19; 200/5 R,
5 A, 6 R, 6 A; 213/148 B; 273/148 B;
345/156-167; 74/471 XY

[56] **References Cited**

U.S. PATENT DOCUMENTS

D. 272,921	3/1984	Kim	D14/114 X
D. 281,776	12/1985	Griffin	D21/48 X
D. 292,224	10/1987	Trunbull	D21/189
D. 307,739	5/1990	Grant	D13/168

1 Claim, 3 Drawing Sheets

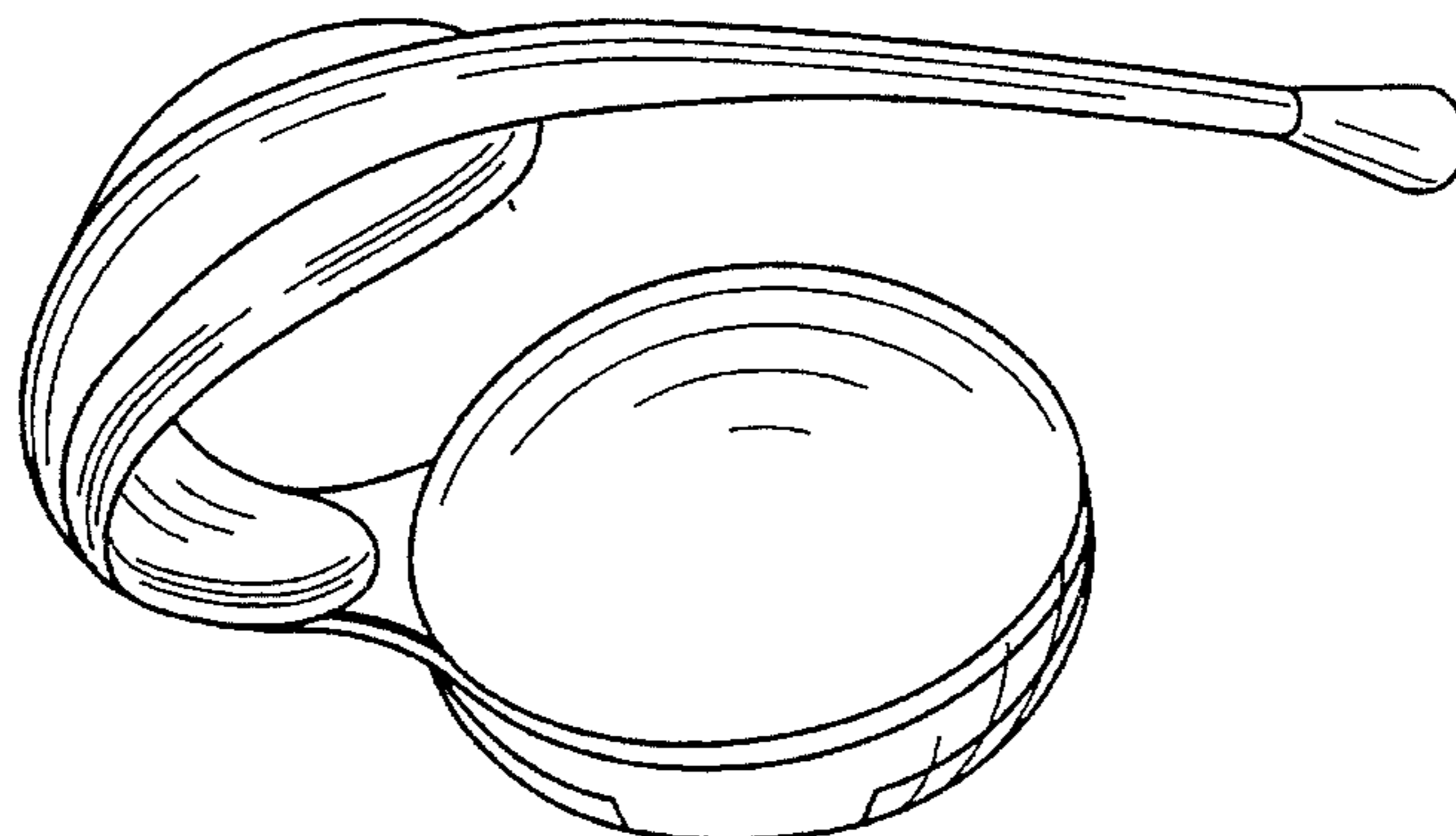
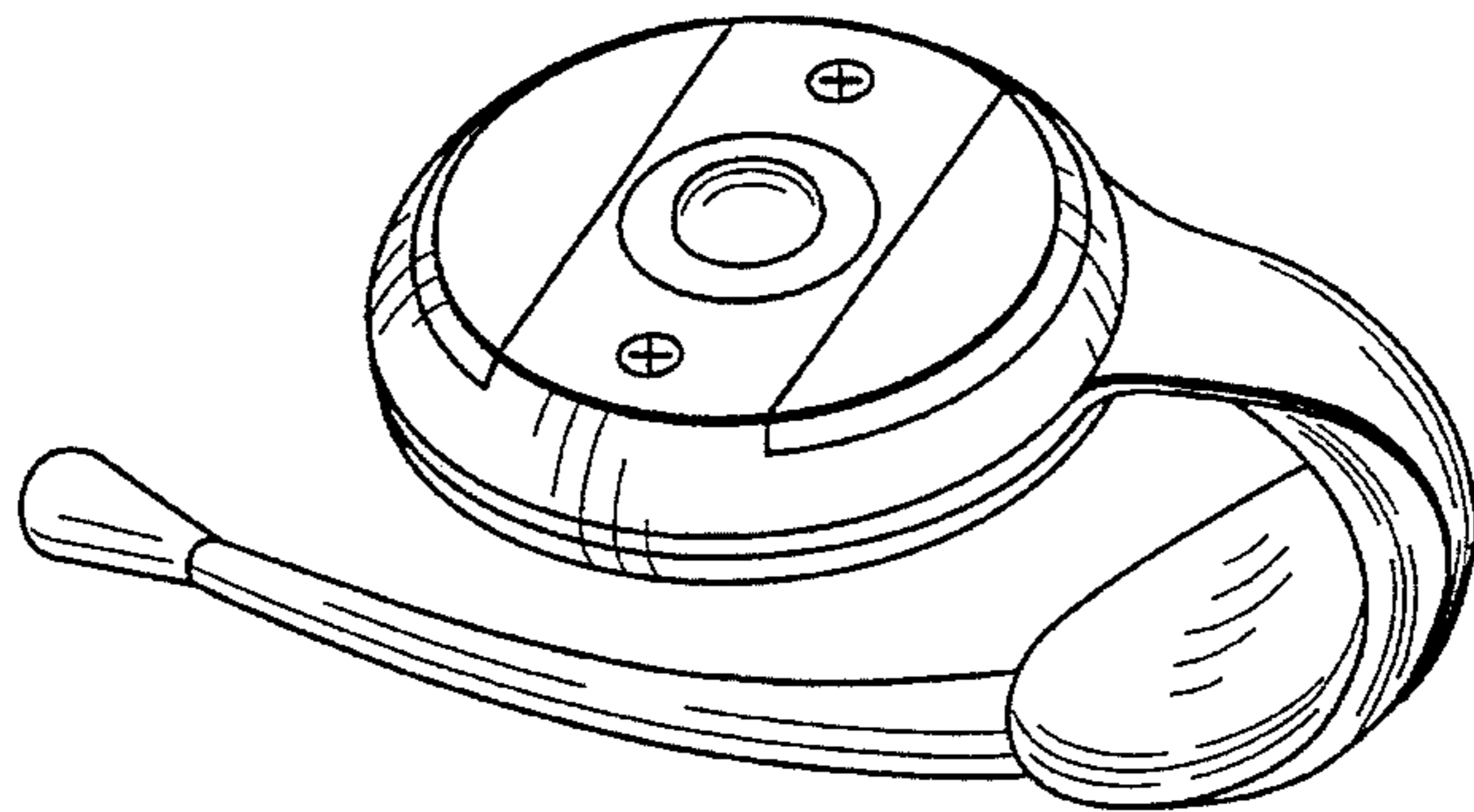


FIG. 1

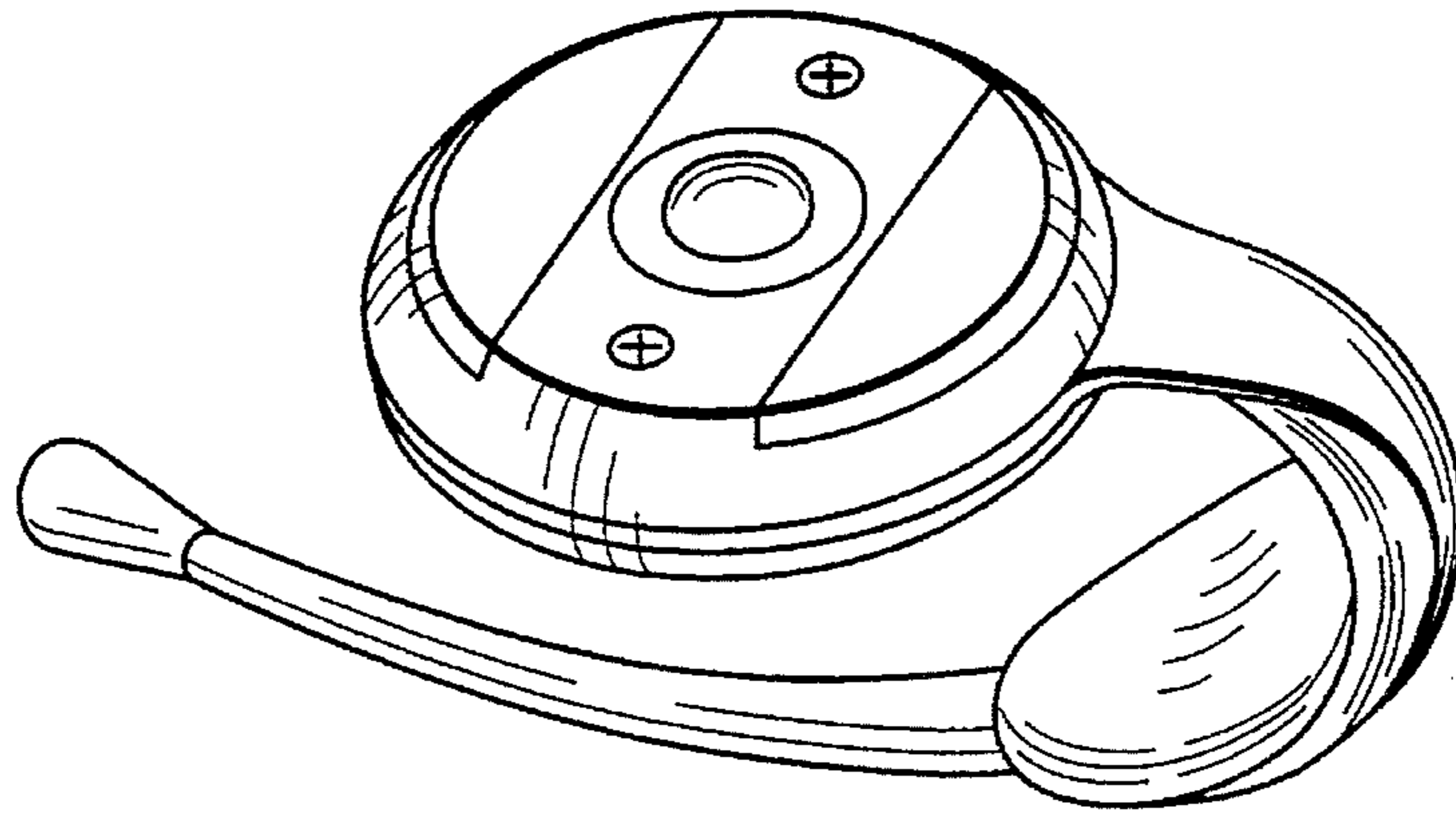


FIG. 2

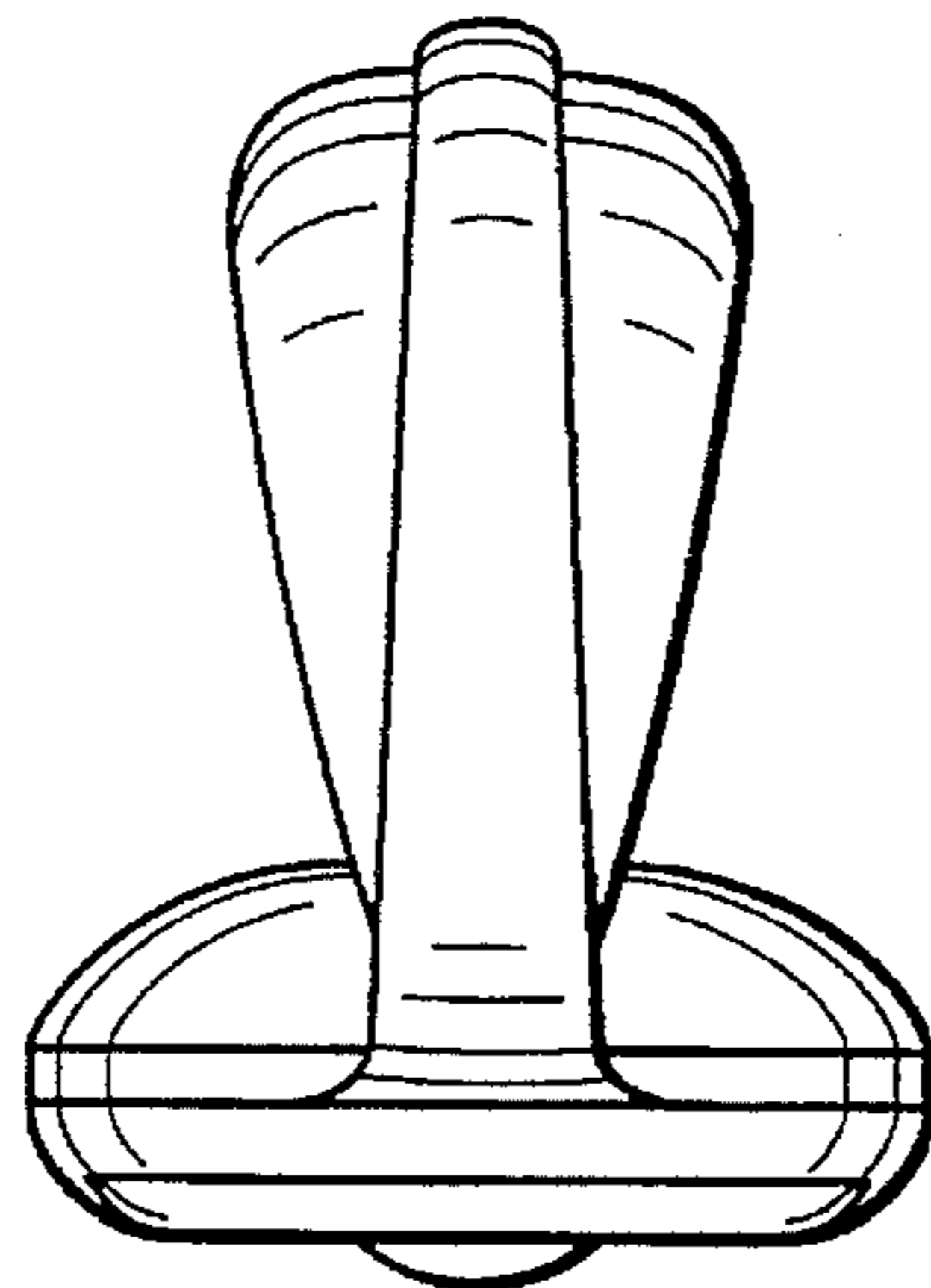


FIG. 3

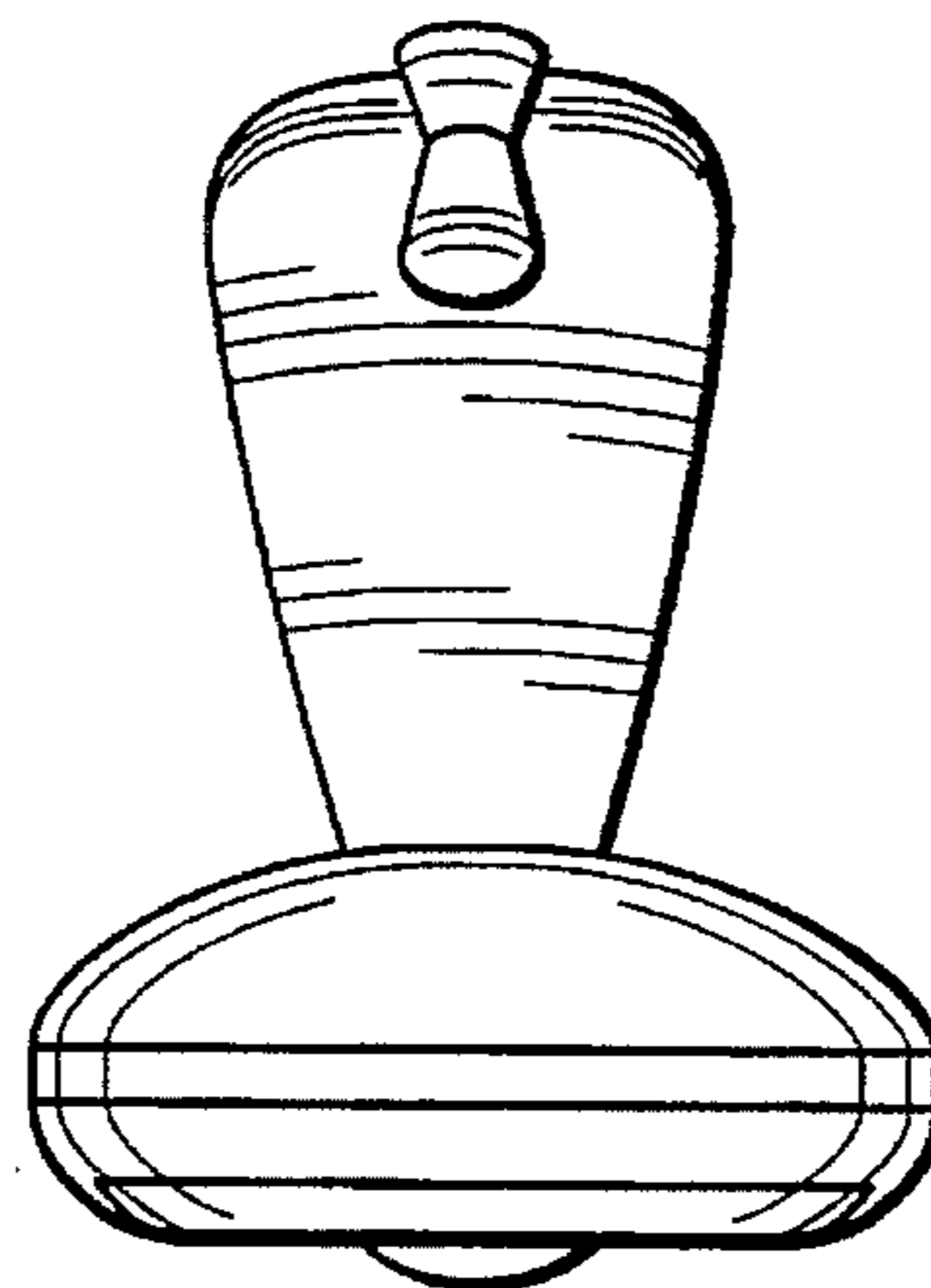


FIG. 4

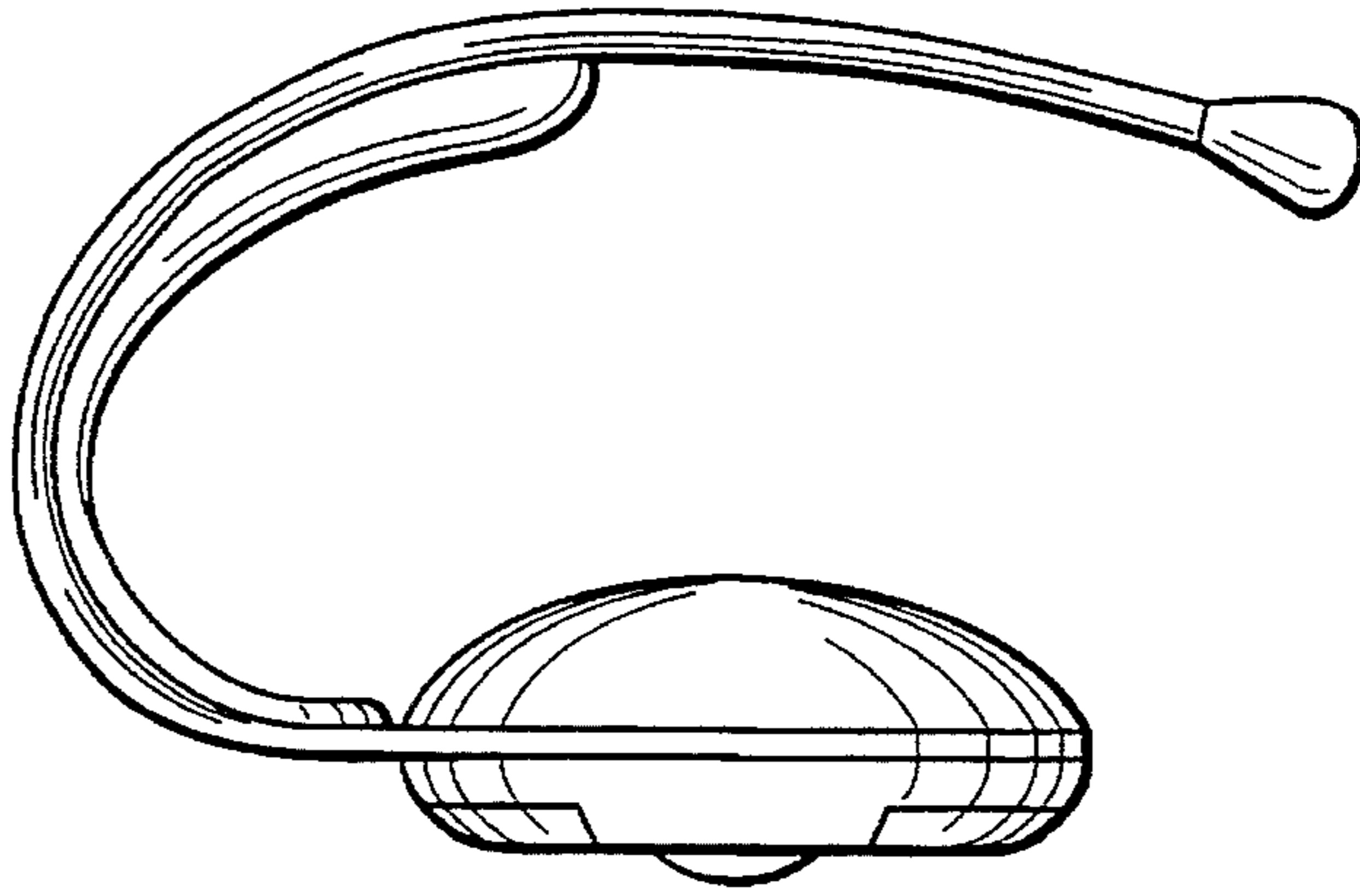


FIG. 5

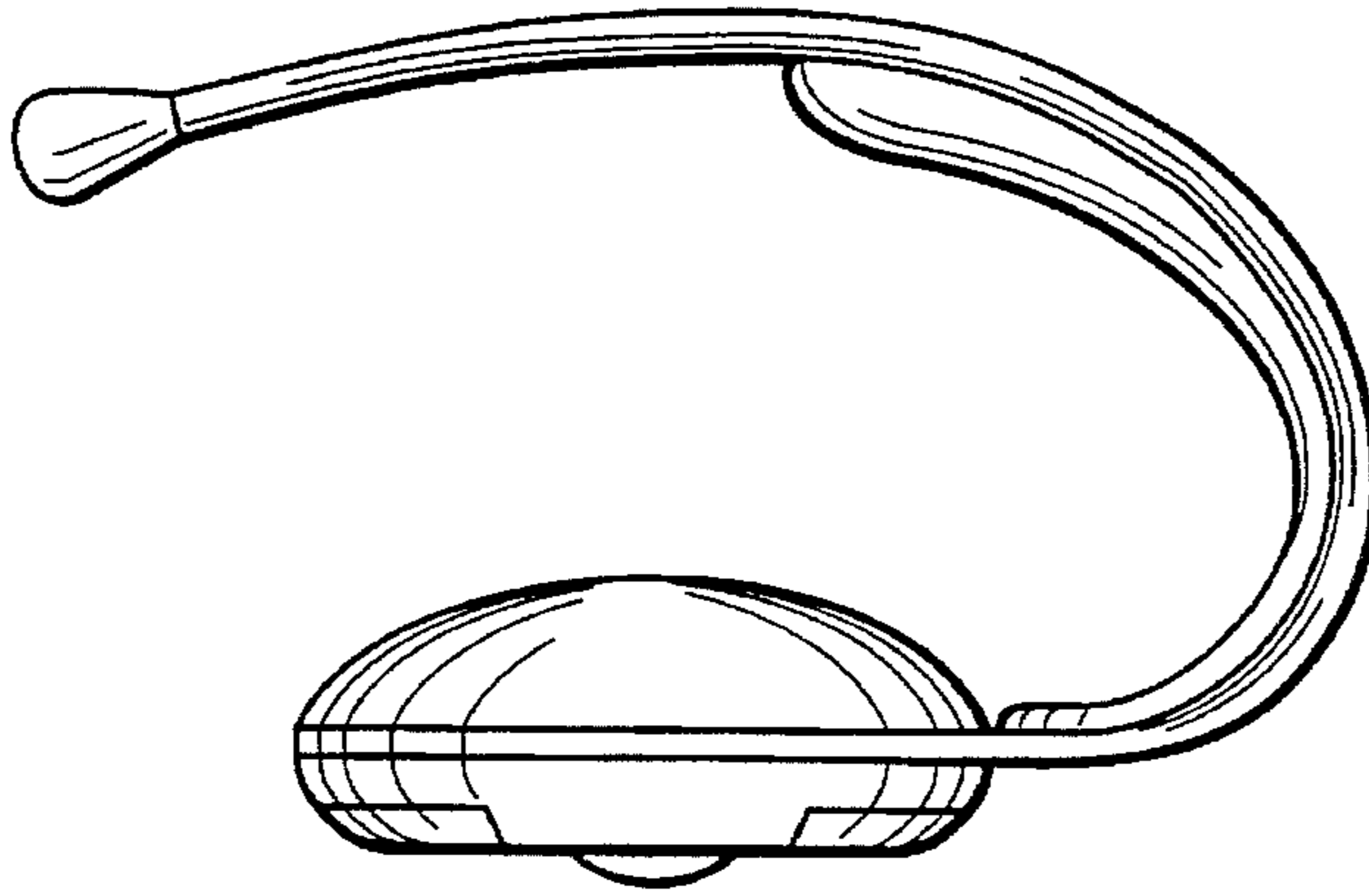


FIG. 6

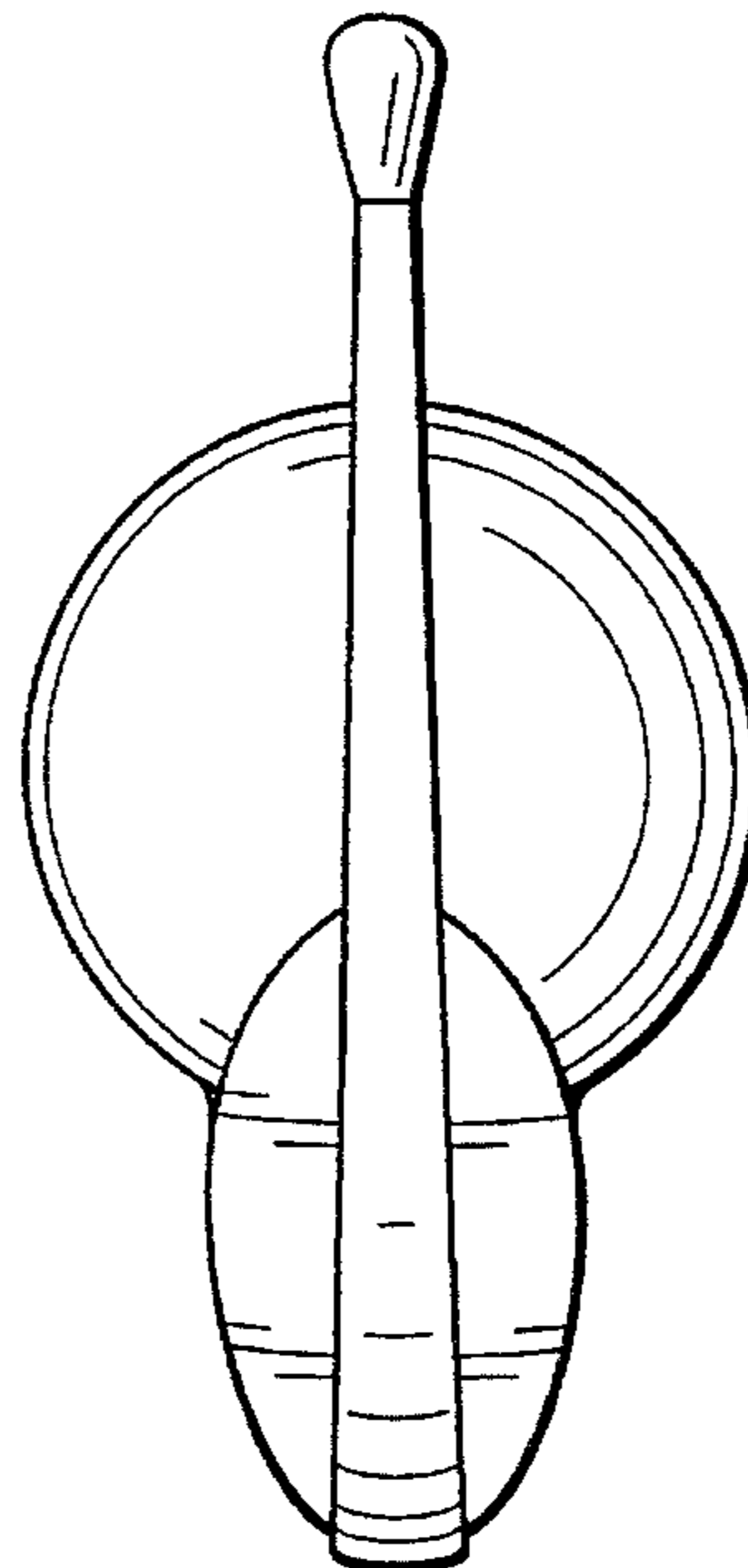


FIG. 7

