



US00D364859S

United States Patent [19]

Fenton et al.

[11] Patent Number: **Des. 364,859**

[45] Date of Patent: ****Dec. 5, 1995**

[54] **INTERFACE FOR A MOBILE DATA TERMINAL**

D. 348,873 7/1994 Mizusugi et al. D14/114
4,459,680 7/1984 Sueda et al. D14/114 X

[75] Inventors: **William E. Fenton**, Port Coquitlam;
Roman P. Rak, Delta, both of Canada

Primary Examiner—Terry A. Wallace
Attorney, Agent, or Firm—Donald B. Southard

[73] Assignee: **Motorola, Inc.**, Schaumburg, Ill.

[57] **CLAIM**

[**] Term: **14 Years**

The ornamental design for an interface for a mobile data terminal, as shown and described.

[21] Appl. No.: **6,205**

DESCRIPTION

[22] Filed: **Mar. 18, 1993**

[52] U.S. Cl. **D14/114; D14/107**

[58] Field of Search D14/100, 107,
D14/114, 137-138, 188, 191, 240, 299;
D13/184; 361/600, 724, 728, 752

FIG. 1 is a top, front and right side perspective view of an interface for a mobile data terminal showing our new design;

FIG. 2 is a bottom plan view thereof;

FIG. 3 is a left side elevational view thereof; and,

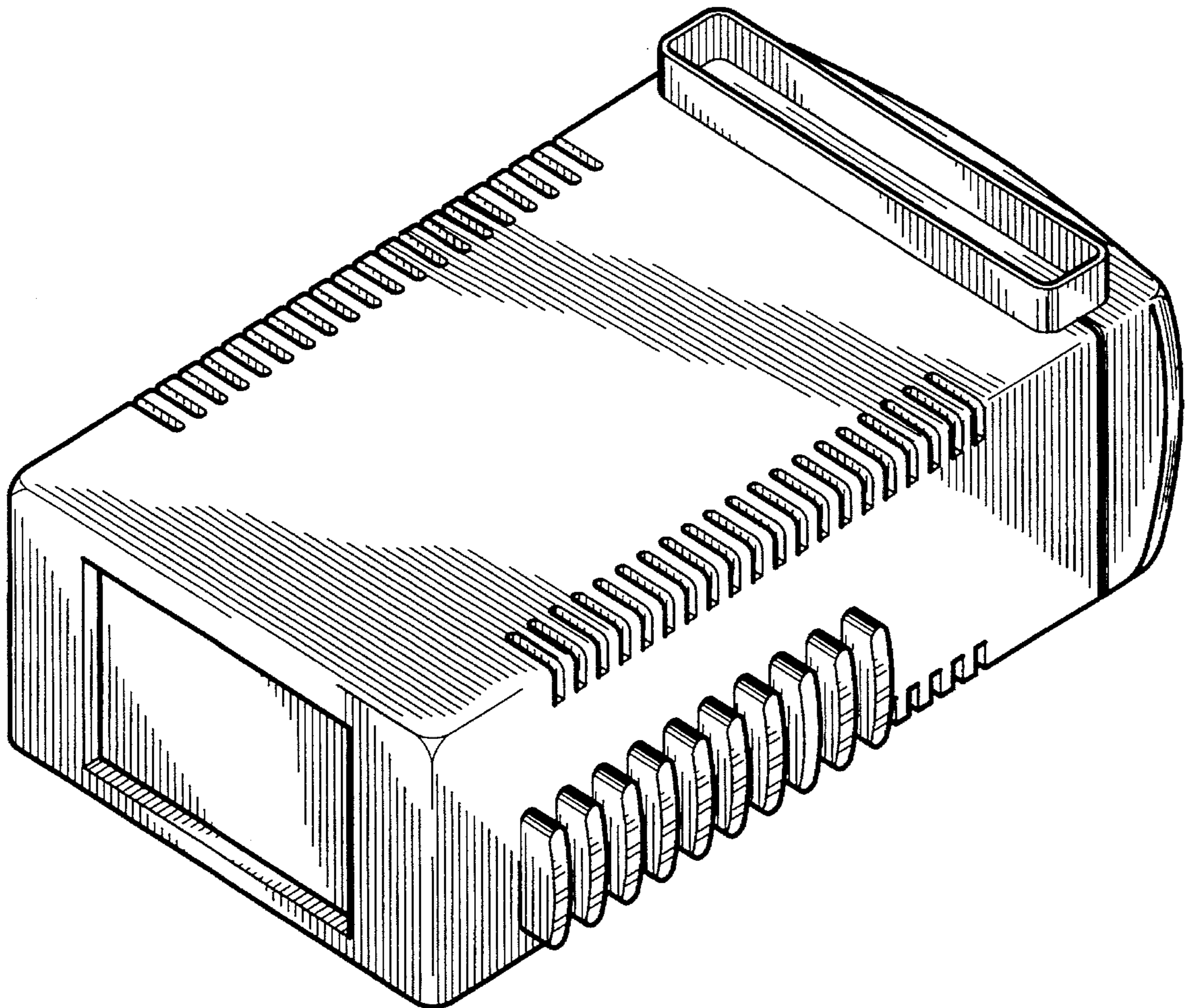
FIG. 4 is a rear view elevational view thereof.

[56] **References Cited**

U.S. PATENT DOCUMENTS

D. 298,137 10/1988 Bates D14/114

1 Claim, 2 Drawing Sheets



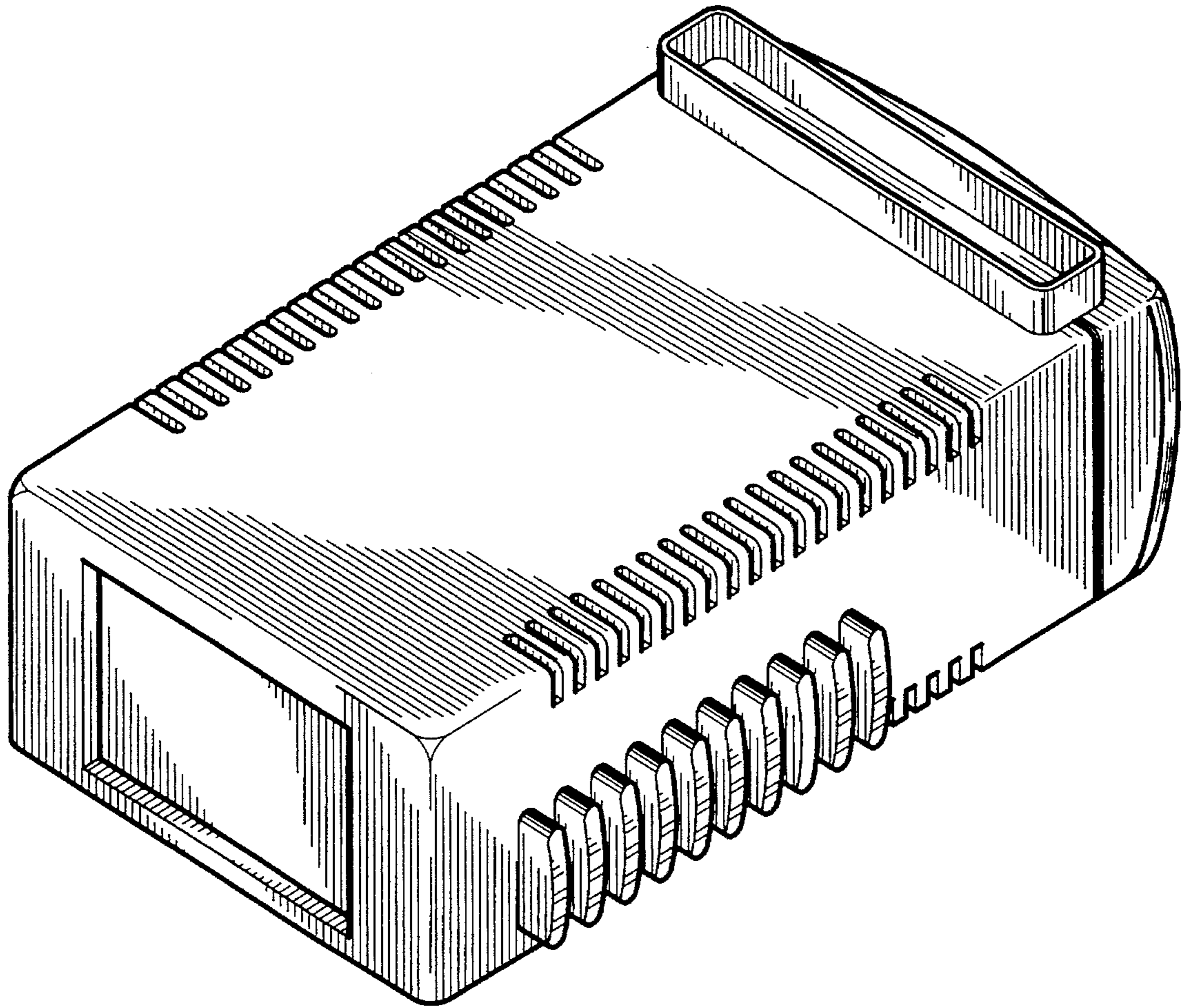


FIG. 1

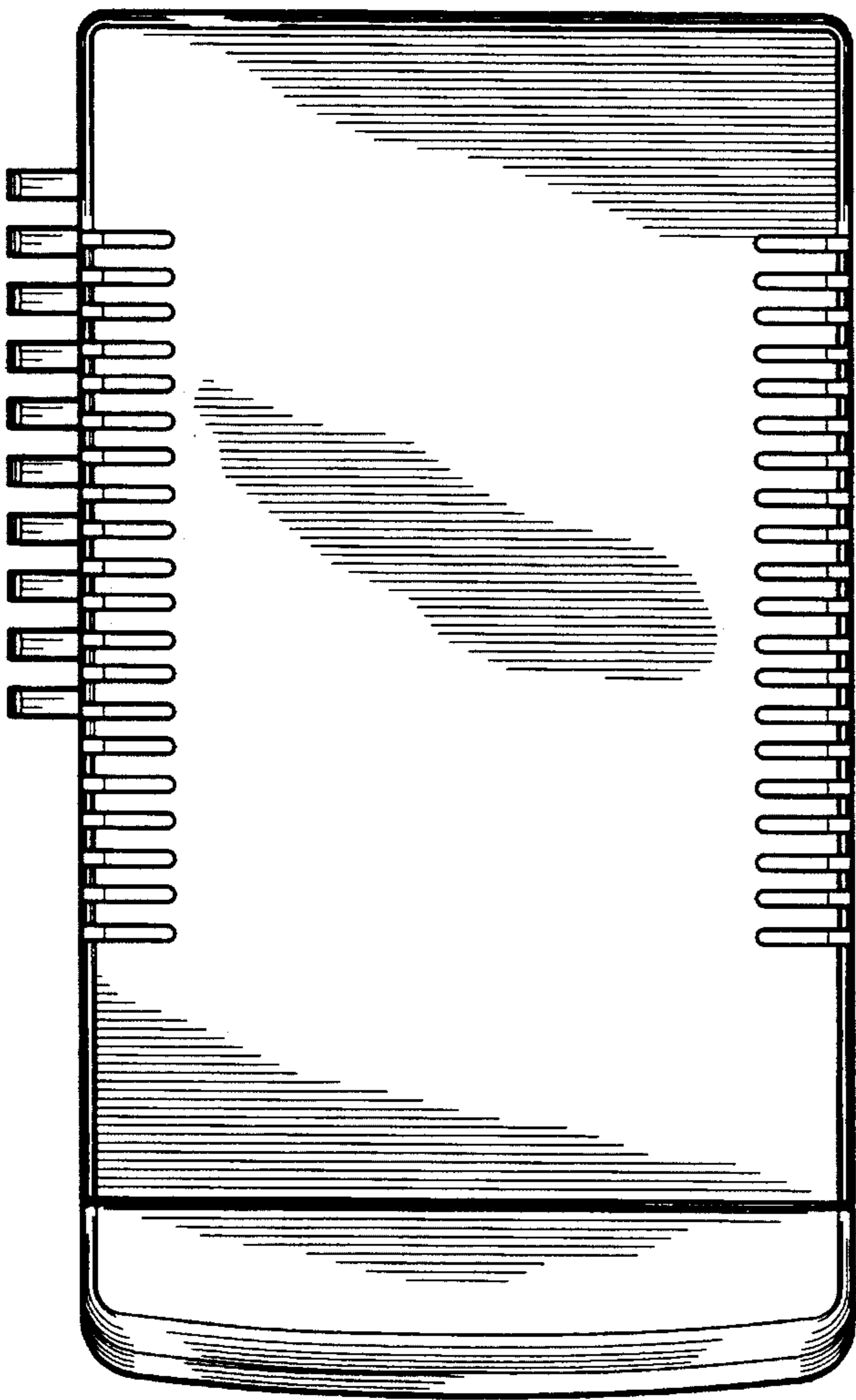


FIG. 2

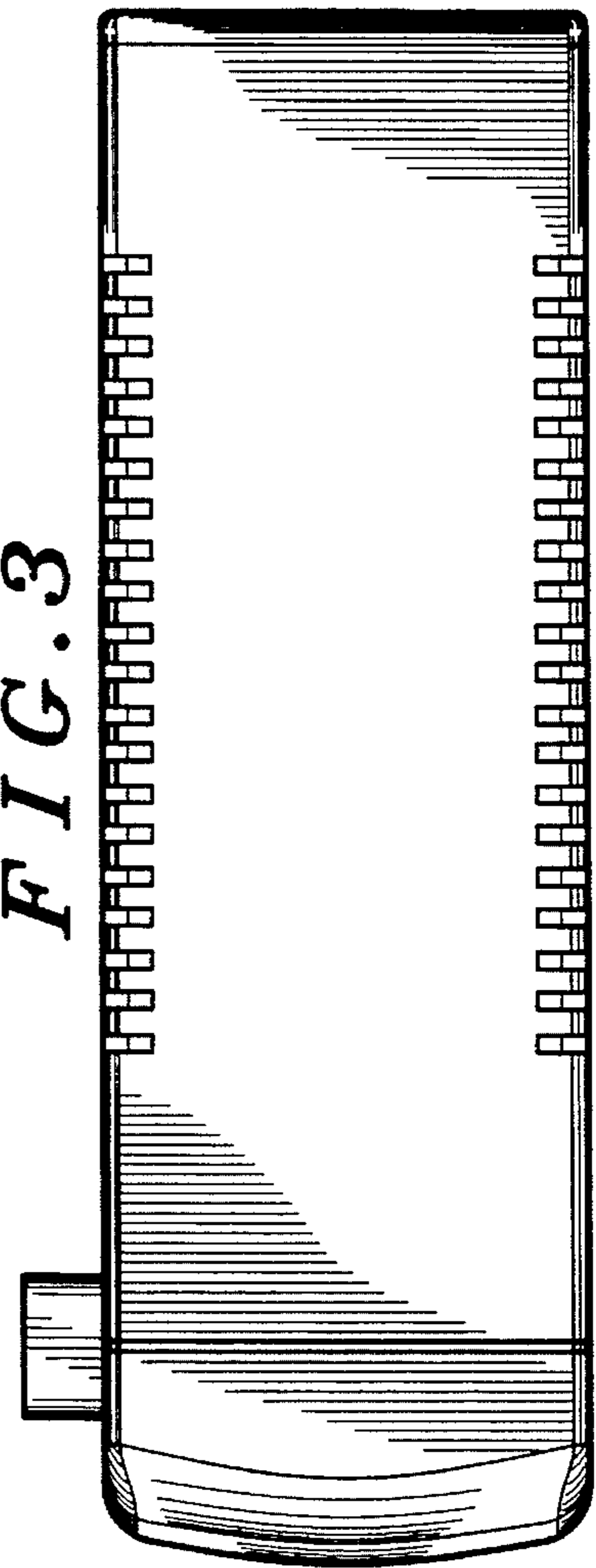


FIG. 3

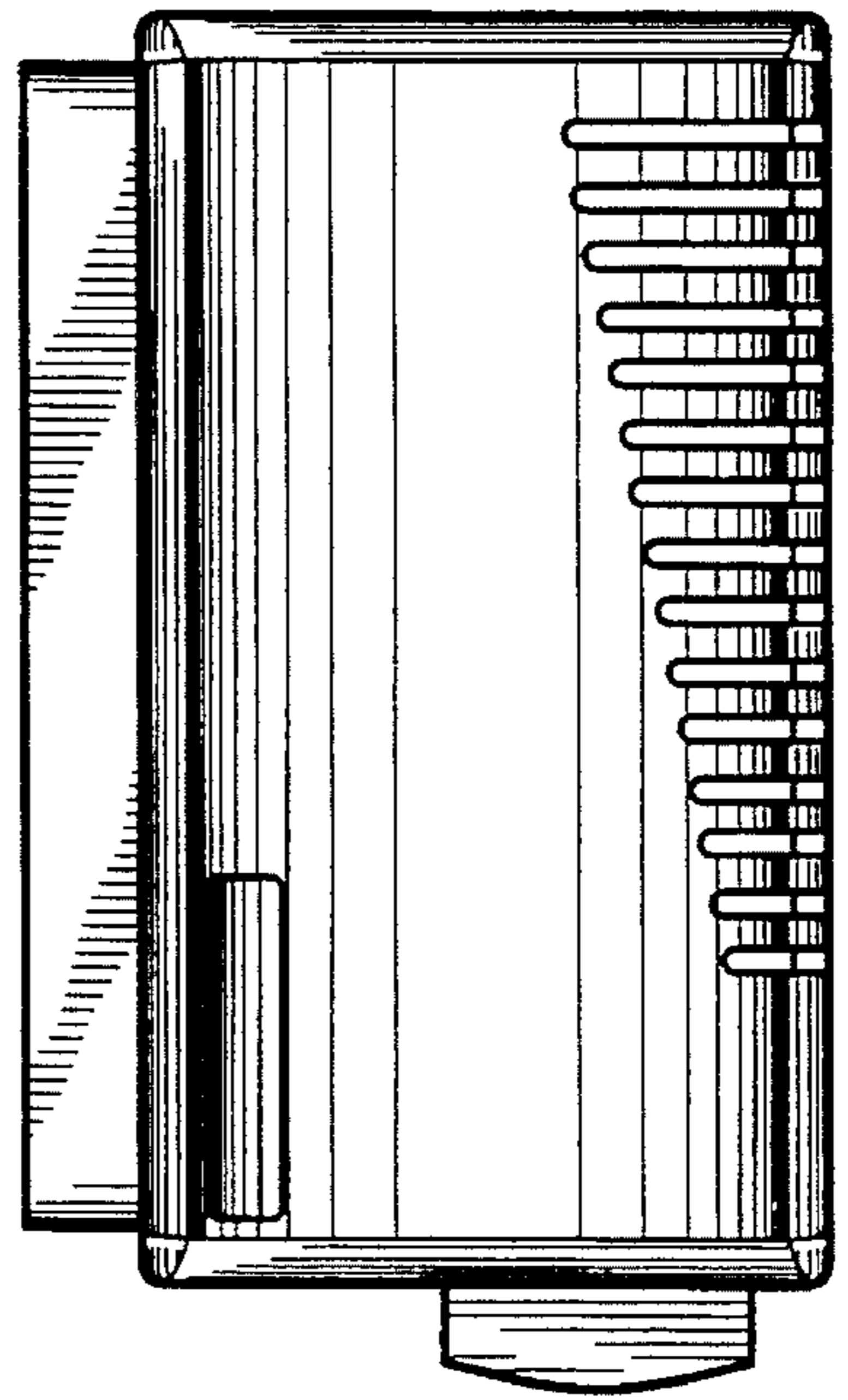


FIG. 4