



US00D364857S

United States Patent [19]
Chou

[11] **Patent Number: Des. 364,857**
[45] **Date of Patent: **Dec. 5, 1995**

[54] **COMPUTER DISPLAY**

[75] Inventor: **Ming-Hsun Chou**, Taipeihsien, Taiwan

[73] Assignee: **Compal Electronics, Inc.**, Taipei, Taiwan

[**] Term: **14 Years**

[21] Appl. No.: **29,481**

[22] Filed: **Oct. 6, 1994**

[52] **U.S. Cl.** **D14/113**

[58] **Field of Search** D14/100, 101, D14/106, 113, 124-129; 345/104, 133, 156, 168, 87, 173, 901-905; 358/249, 254, 255; 248/917-924

[56] **References Cited**

U.S. PATENT DOCUMENTS

D. 354,052 1/1995 Imai D14/113

D. 354,949 1/1995 Yao D14/100

Primary Examiner—Freda Nunn
Attorney, Agent, or Firm—Pro-Tehtor International

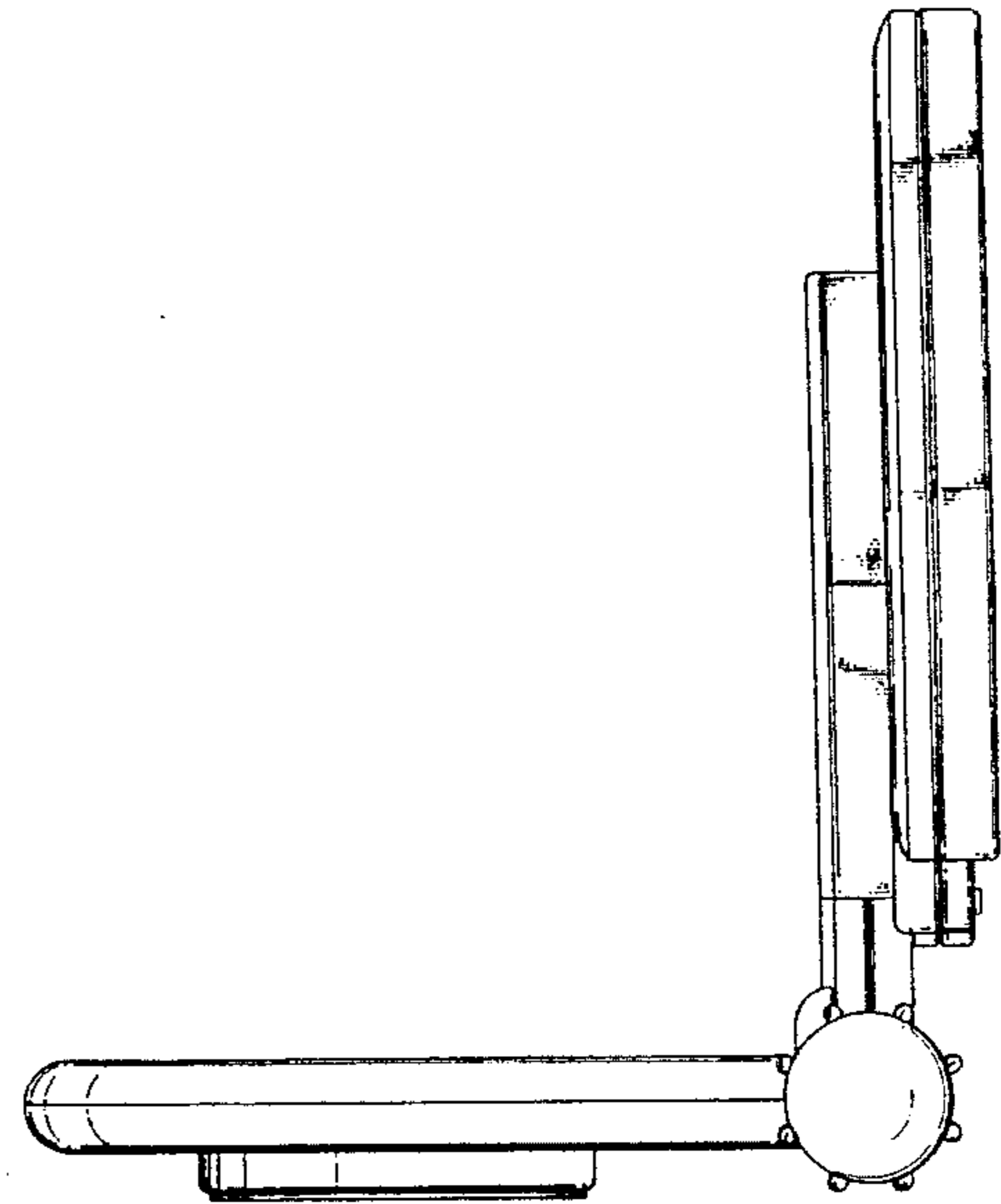
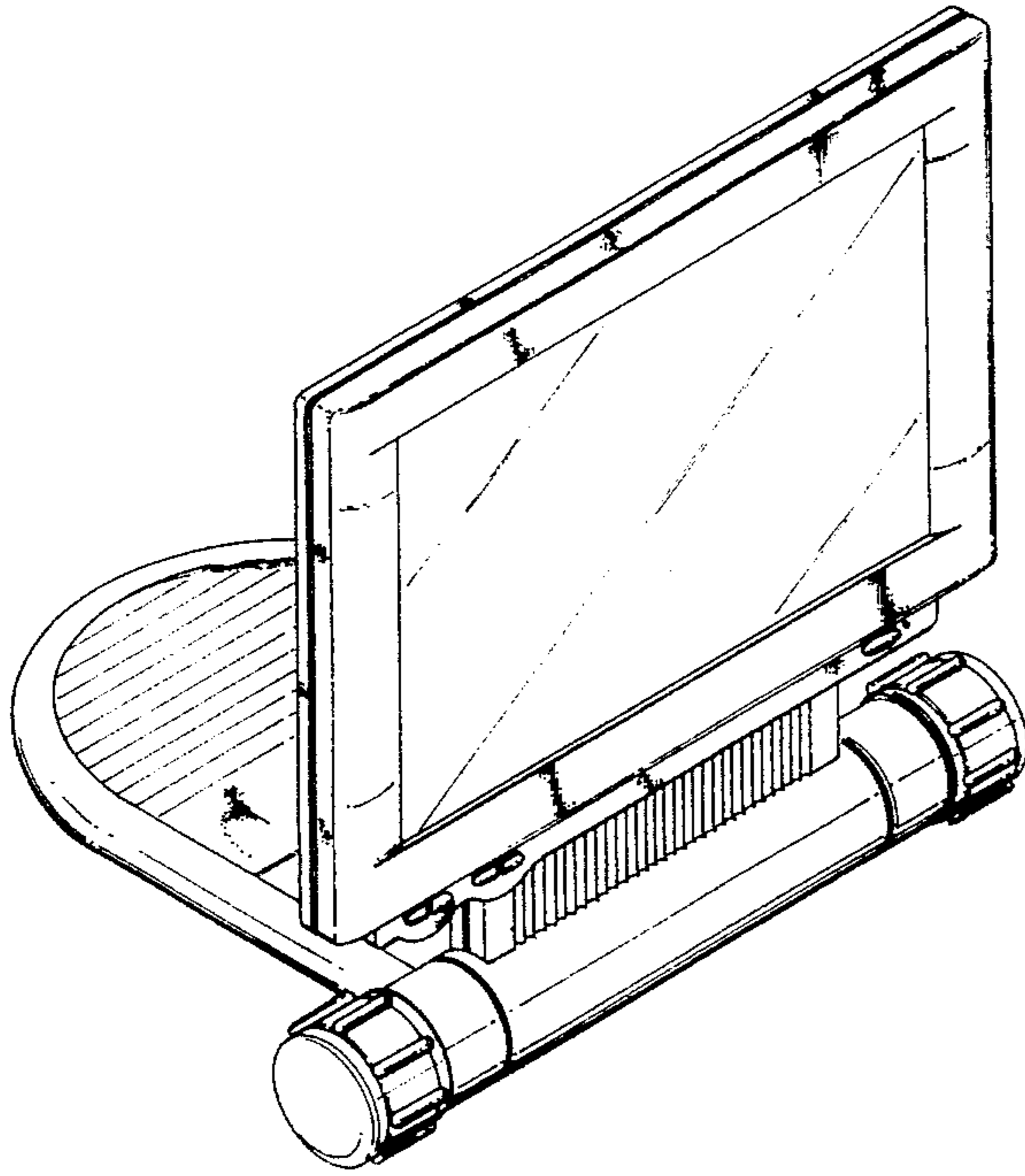
[57] **CLAIM**

The ornamental design for a computer display, as shown and described.

DESCRIPTION

FIG. 1 is a right side, front perspective view showing my new design for a computer display;
FIG. 2 is a front elevational view thereof;
FIG. 3 is a rear elevational view thereof;
FIG. 4 is a left side elevational view thereof;
FIG. 5 is a right side elevational view thereof;
FIG. 6 is a top view thereof; and,
FIG. 7 is a bottom view thereof.

1 Claim, 7 Drawing Sheets



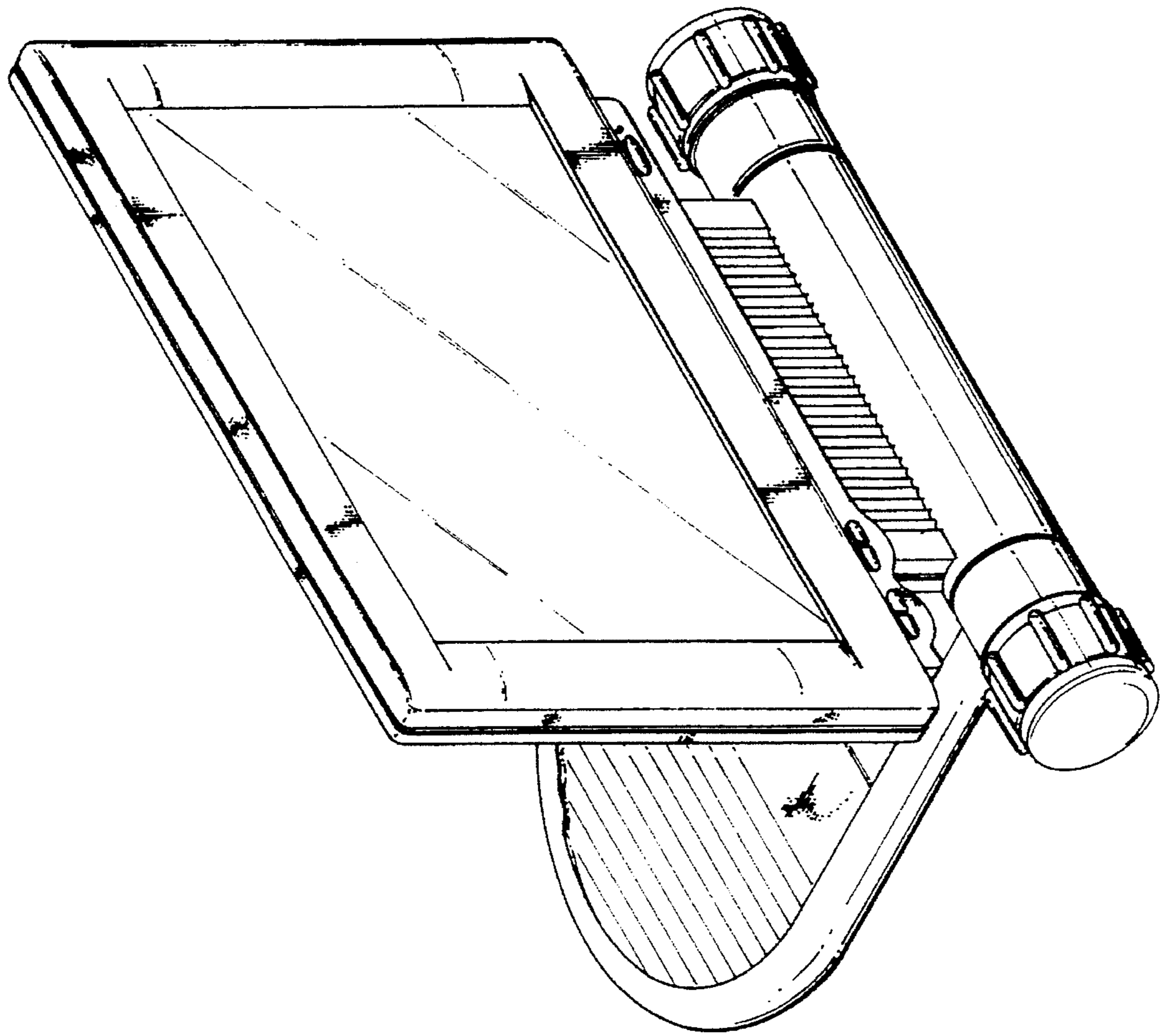


FIG. 1

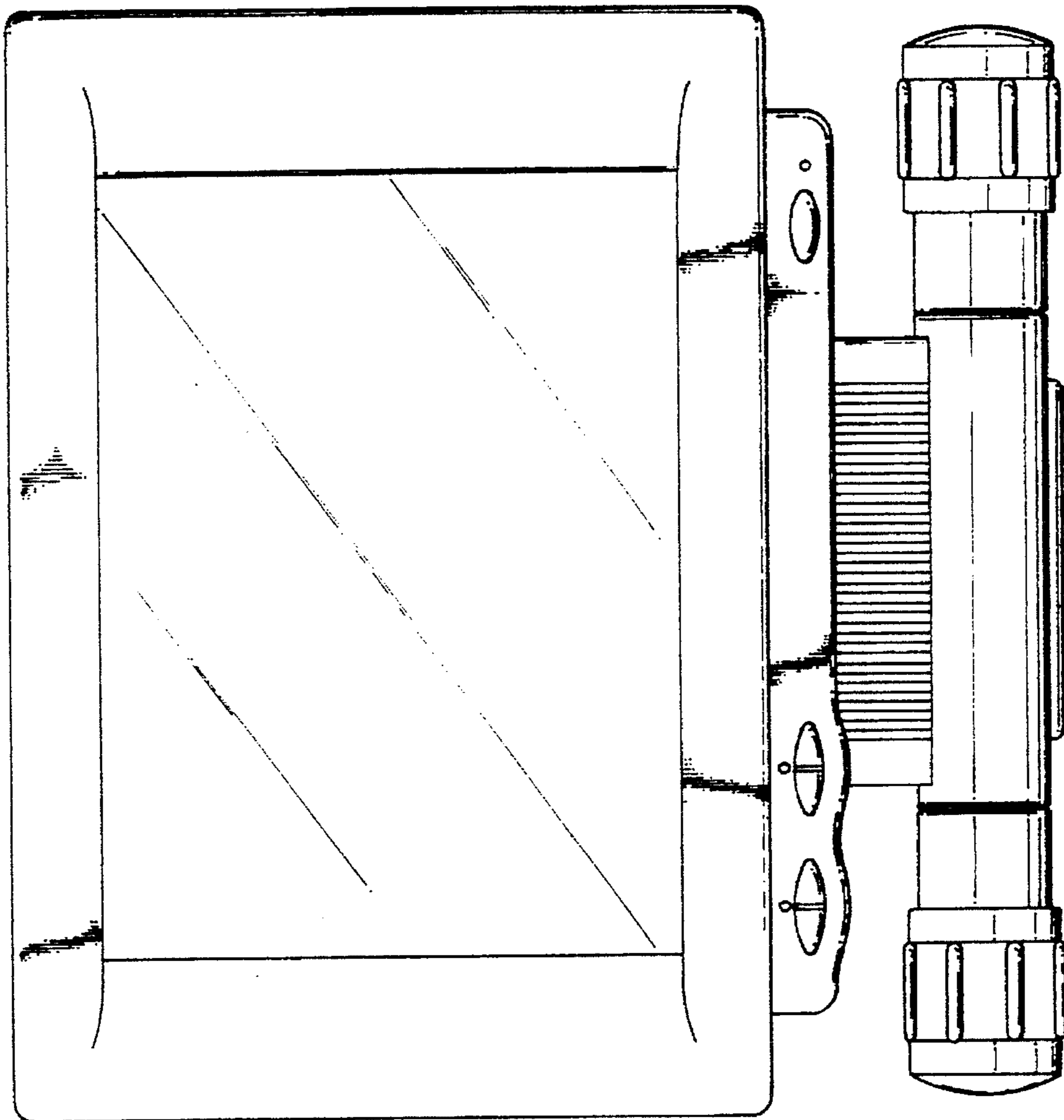


FIG. 2

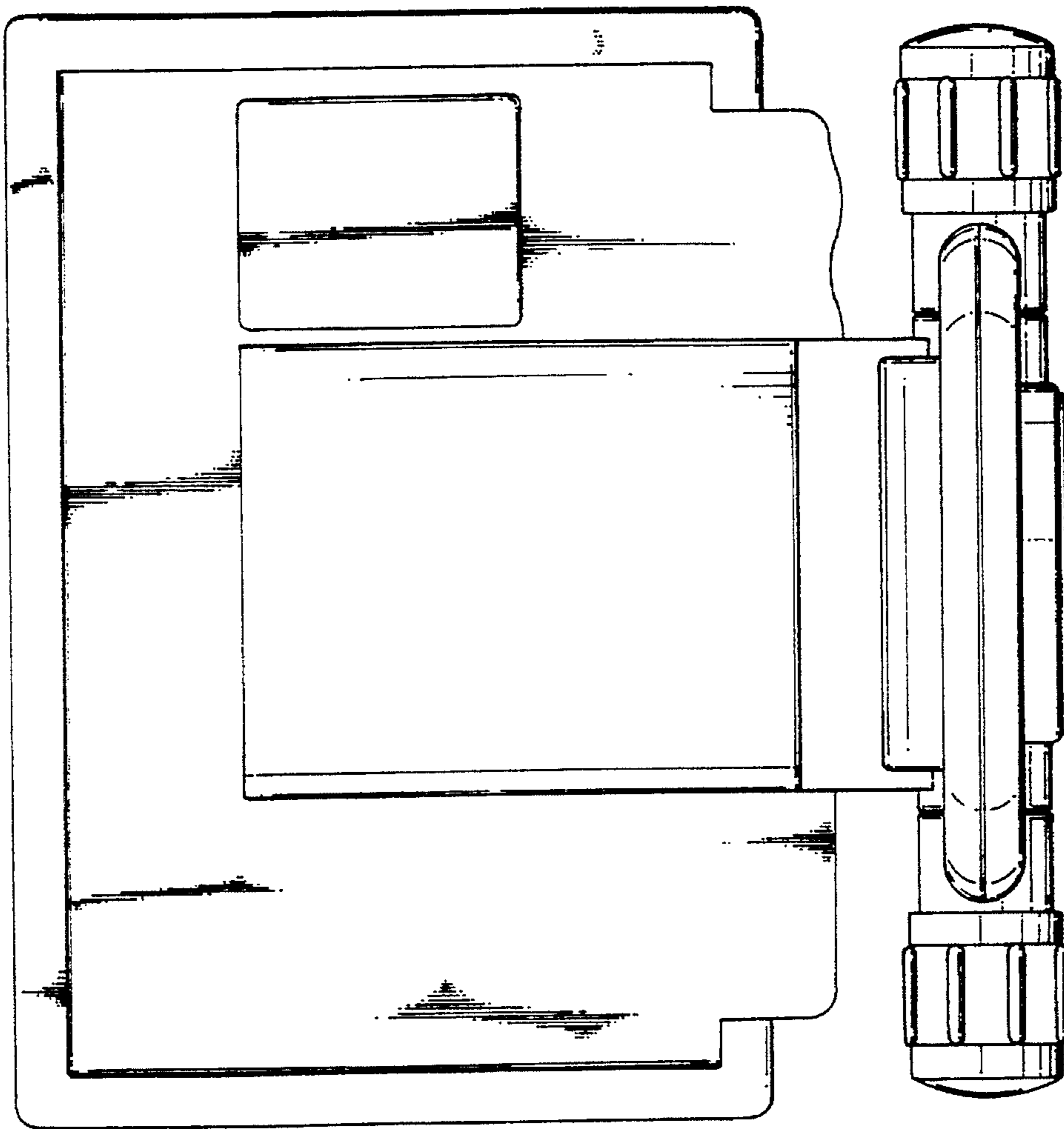


FIG. 3

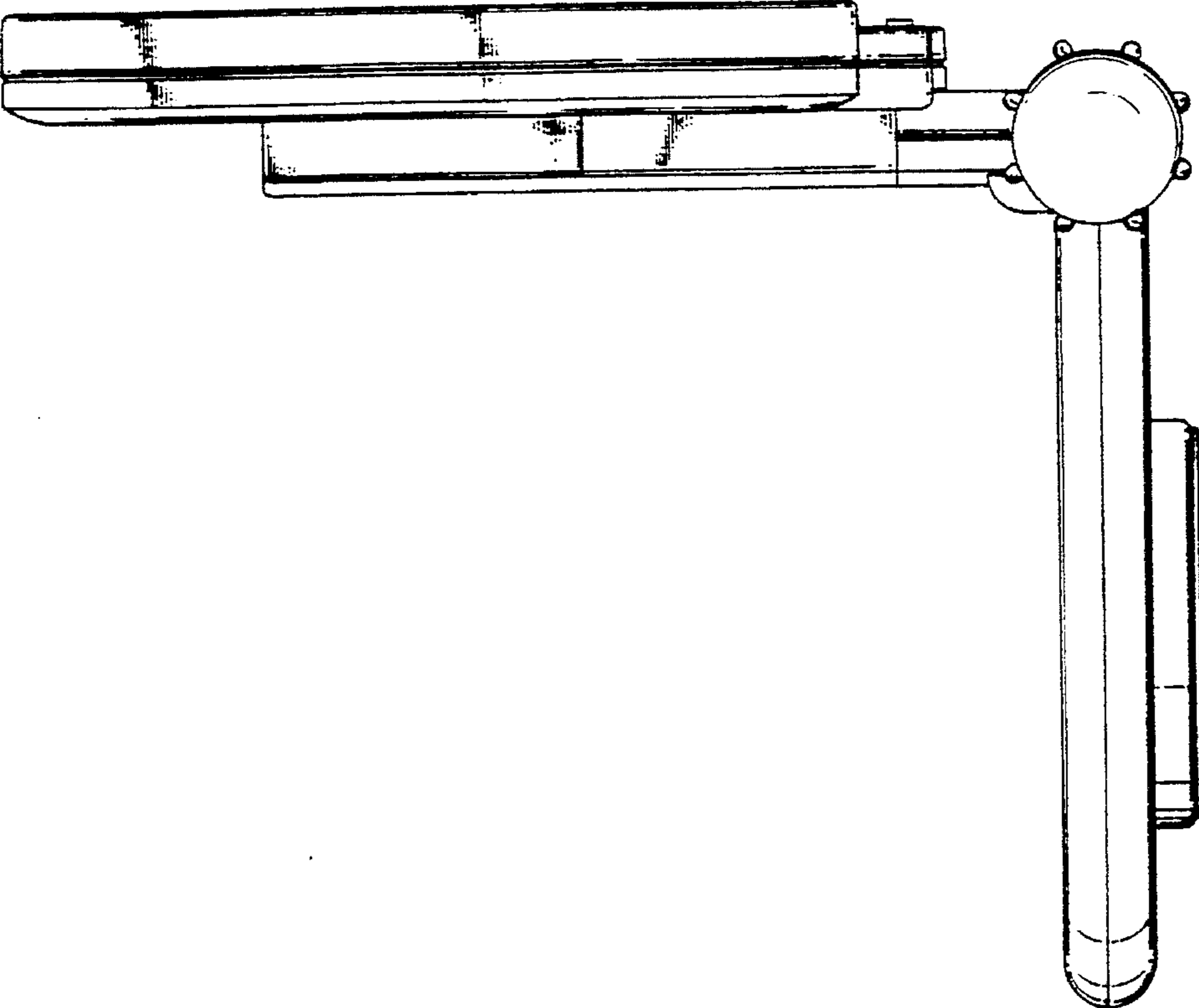


FIG. 4

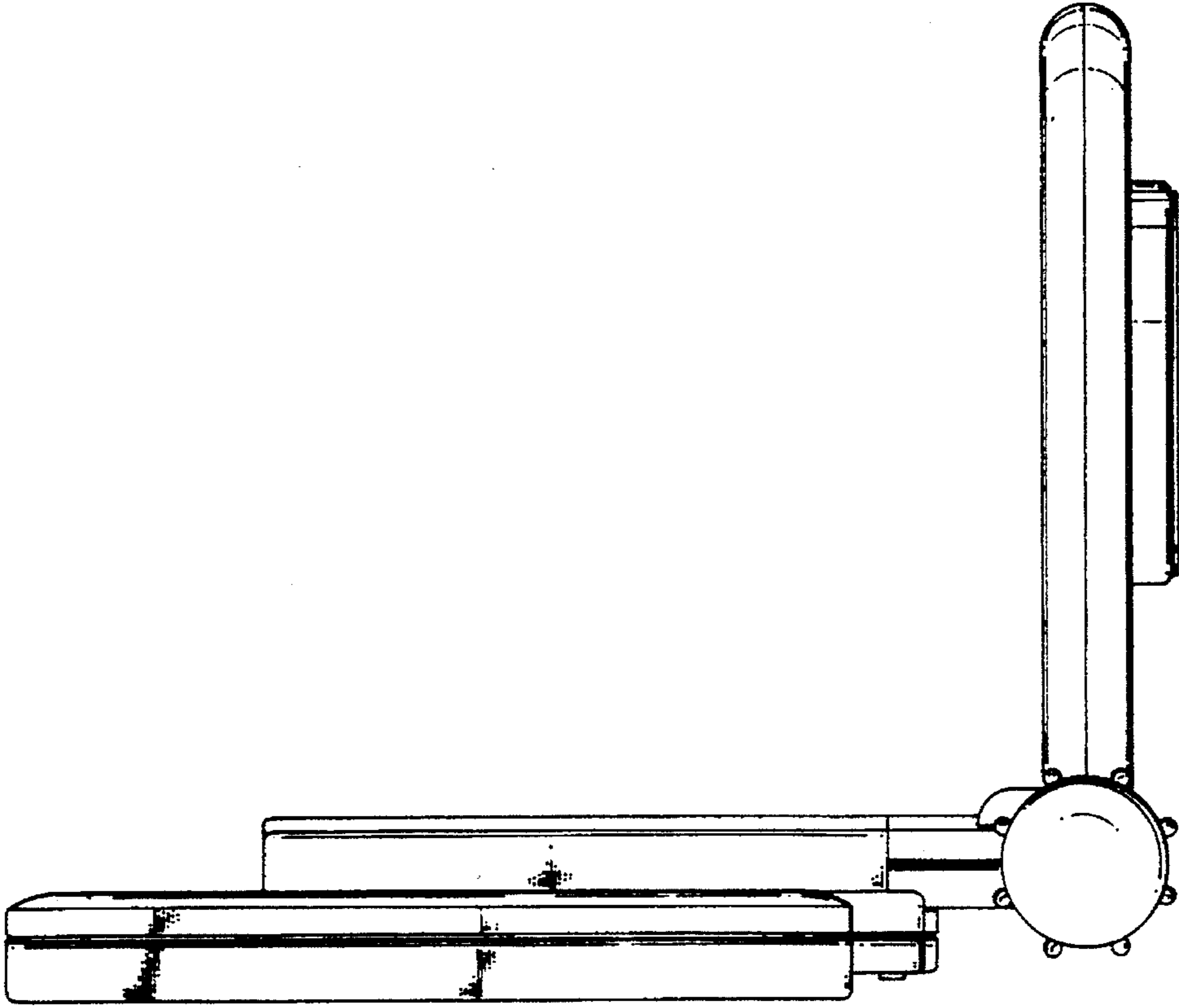


FIG. 5

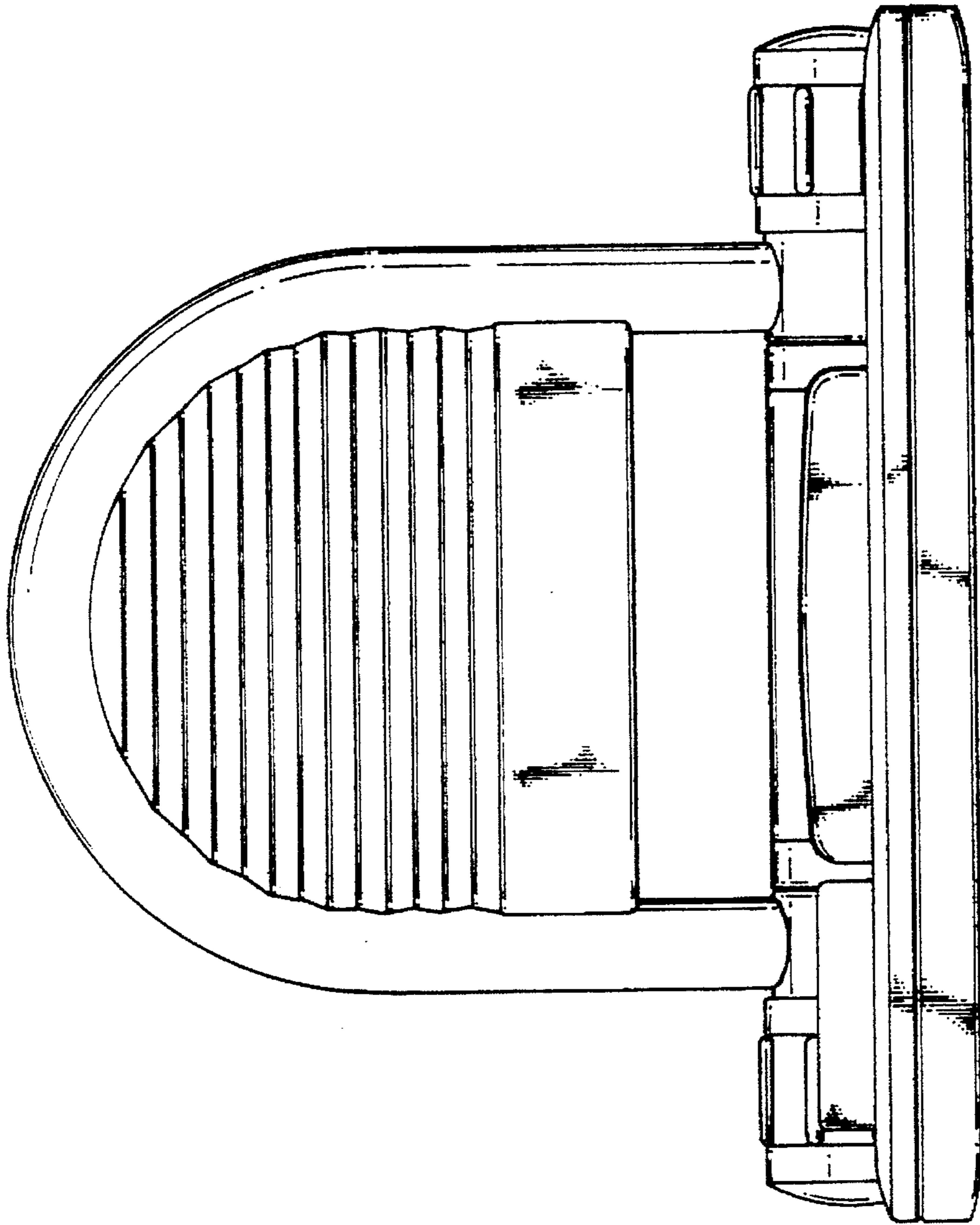


FIG. 6

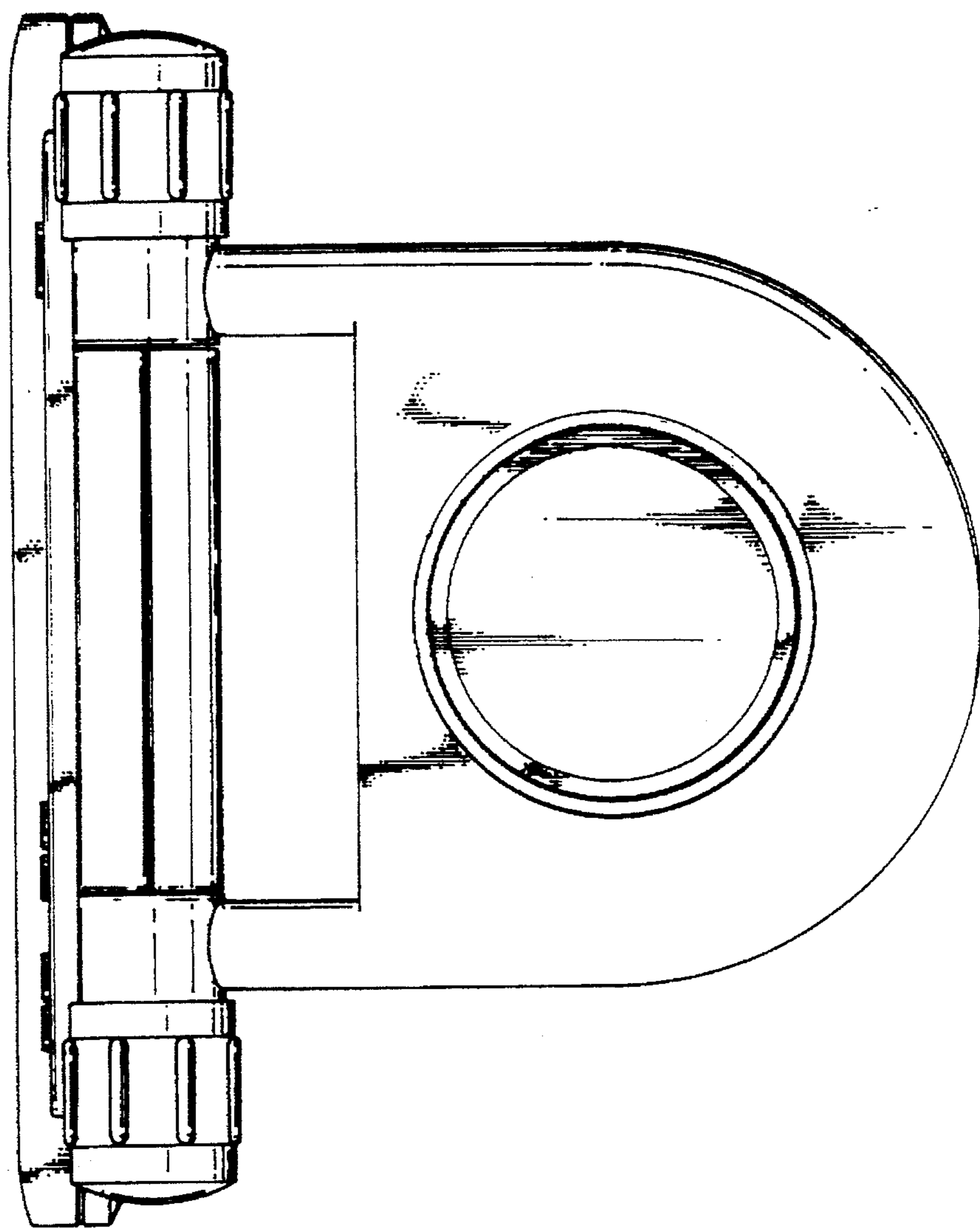


FIG. 7