



US00D364856S

**United States Patent** [19]  
**Lee**

[11] **Patent Number:** **Des. 364,856**

[45] **Date of Patent:** **\*\*Dec. 5, 1995**

[54] **COMPUTER DISPLAY**

D. 355,413 2/1995 Masunari ..... D14/113  
D. 357,908 5/1995 Imai et al. .... D14/113

[75] Inventor: **Chia-Chun Lee**, Taipei, Taiwan

*Primary Examiner*—Freda Nunn  
*Attorney, Agent, or Firm*—Pro-Techtor International

[73] Assignee: **Compal Electronics, Inc.**, Taipei, Taiwan

[57] **CLAIM**

[\*\*] Term: **14 Years**

The ornamental design for a computer display, as shown and described.

[21] Appl. No.: **29,477**

**DESCRIPTION**

[22] Filed: **Oct. 6, 1994**

[52] U.S. Cl. .... **D14/113**

[58] **Field of Search** ..... D14/100, 101,  
D14/106, 113, 124-129; 345/104, 133,  
156, 168, 173, 87, 901-905; 358/249, 254,  
255; 248/917-924

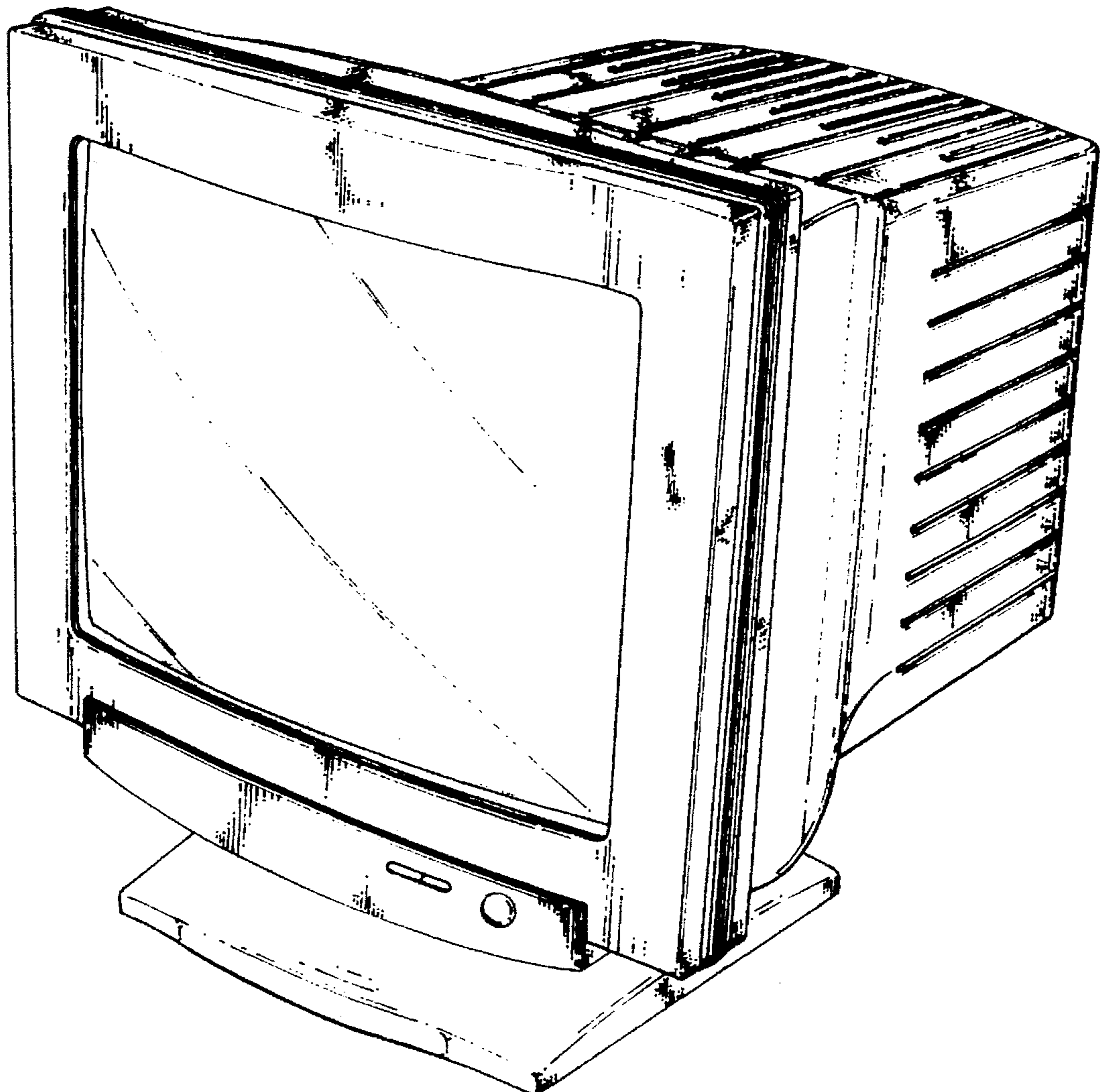
FIG. 1 is a right side, front perspective view showing my new design for a computer display;  
FIG. 2 is a front elevational view thereof;  
FIG. 3 is a rear elevational view thereof;  
FIG. 4 is a left side elevational view thereof;  
FIG. 5 is a right side elevational view thereof;  
FIG. 6 is a top view thereof; and,  
FIG. 7 is a bottom view thereof.

[56] **References Cited**

**U.S. PATENT DOCUMENTS**

D. 336,645 6/1993 Saito et al. .... D14/126

**1 Claim, 7 Drawing Sheets**



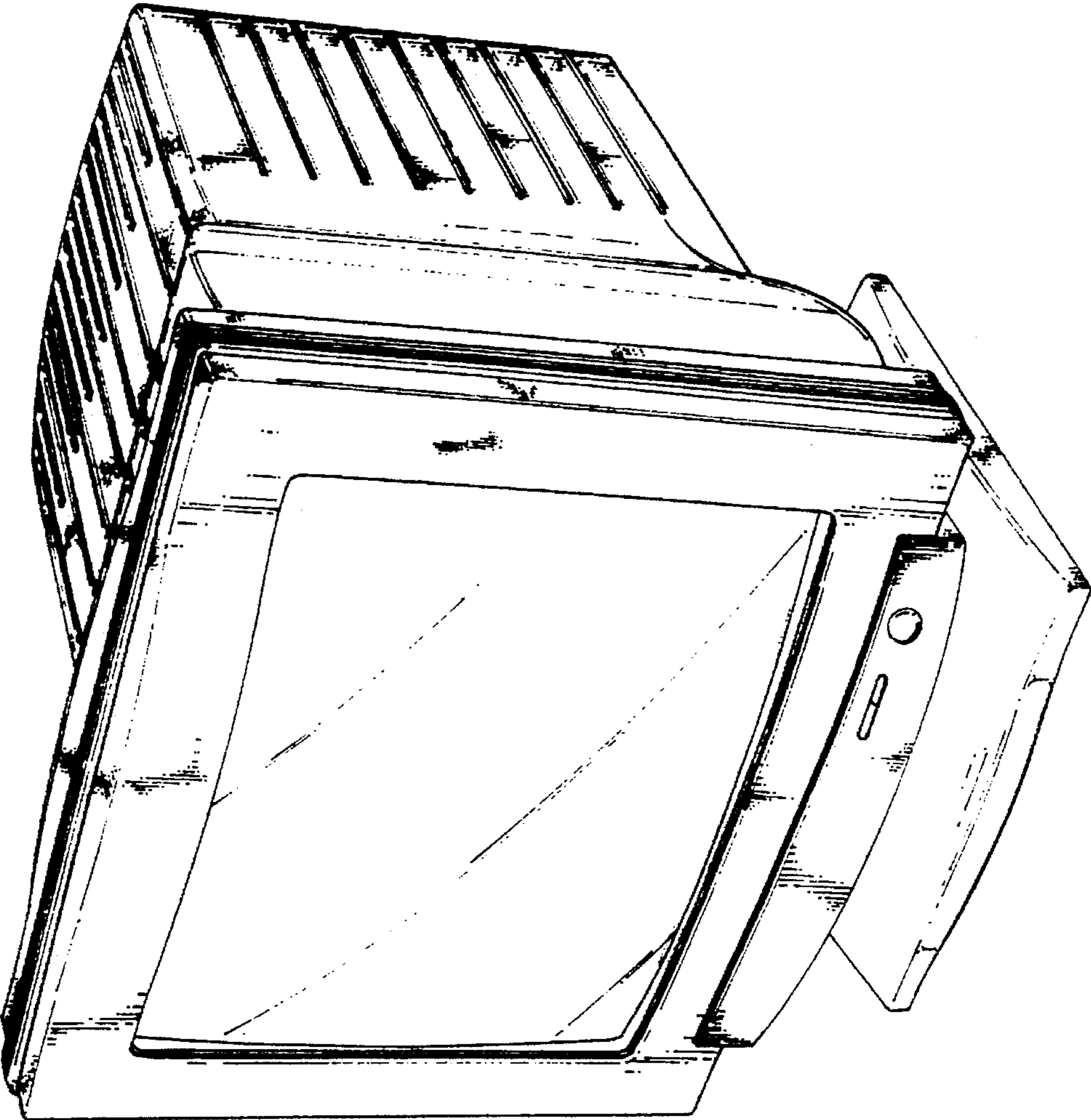


FIG. 1

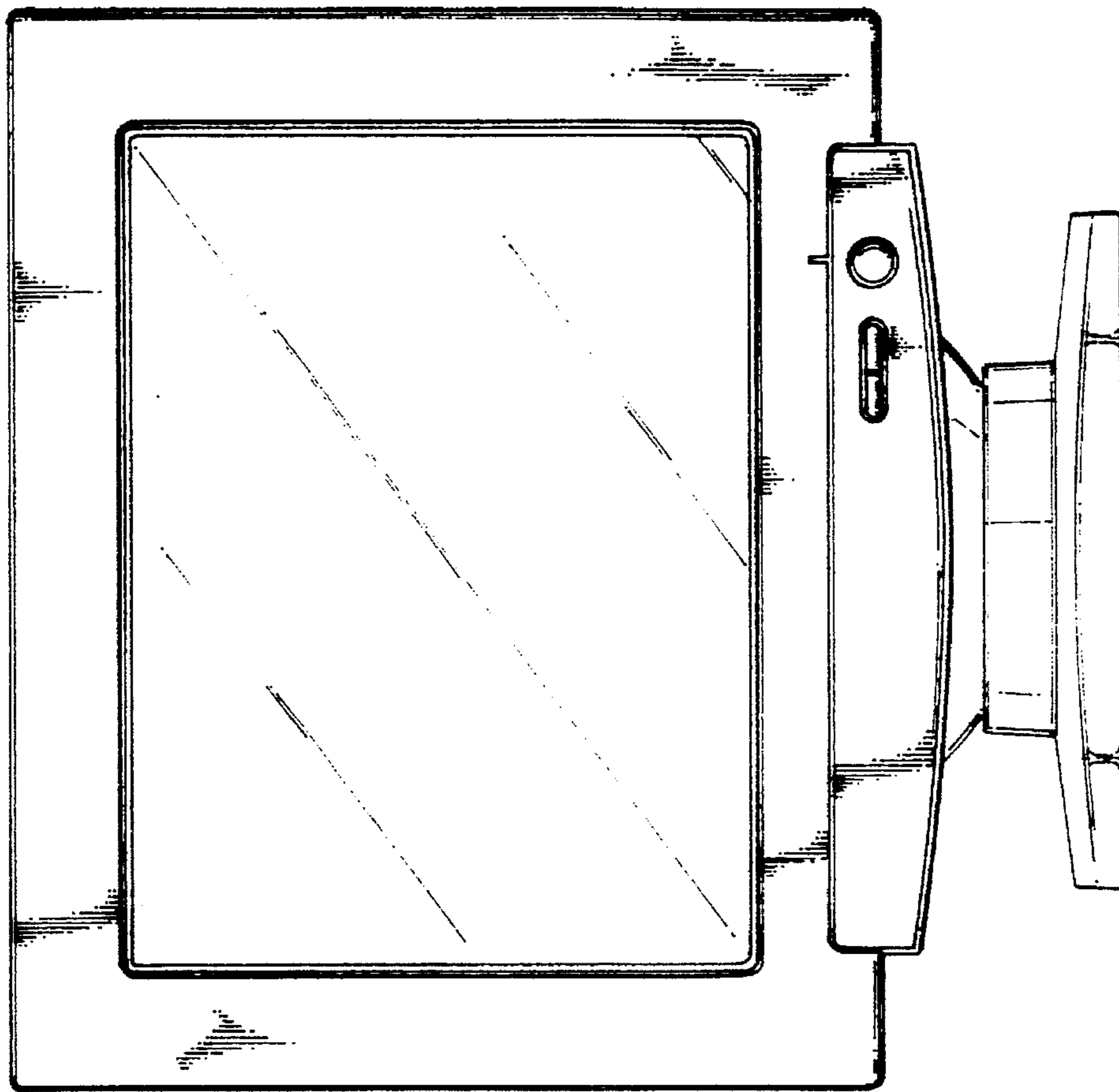


FIG. 2

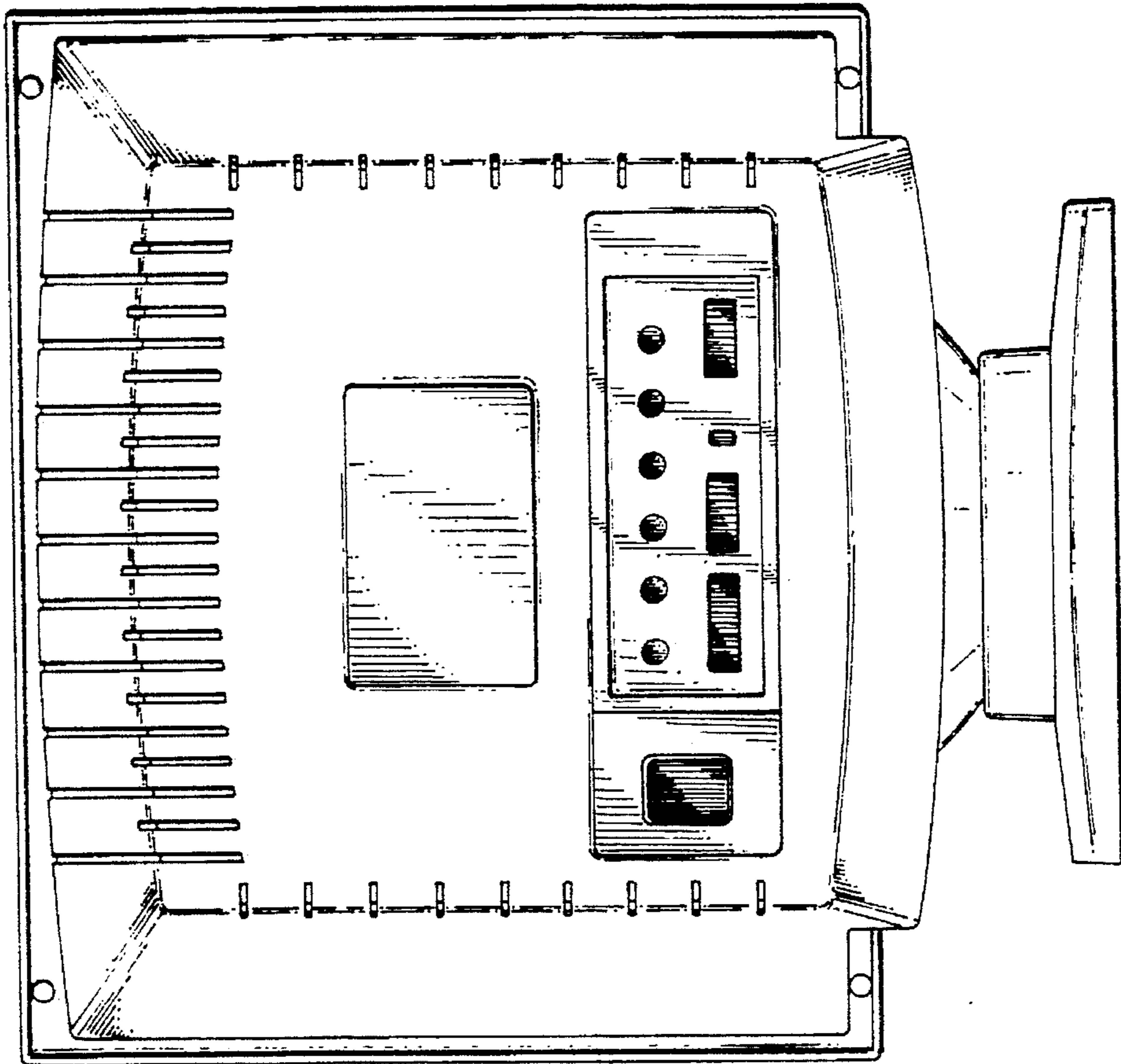


FIG. 3

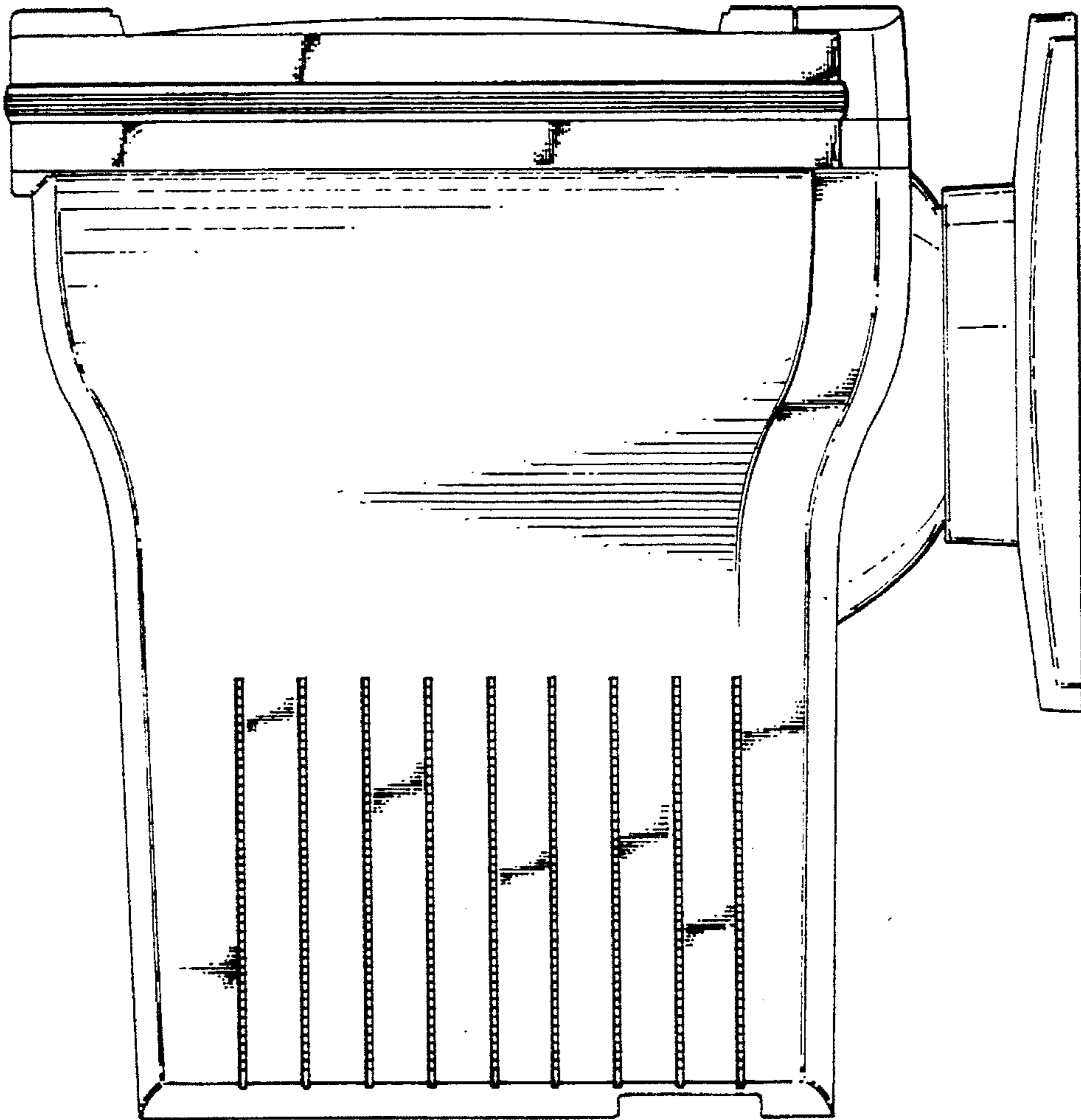


FIG. 4

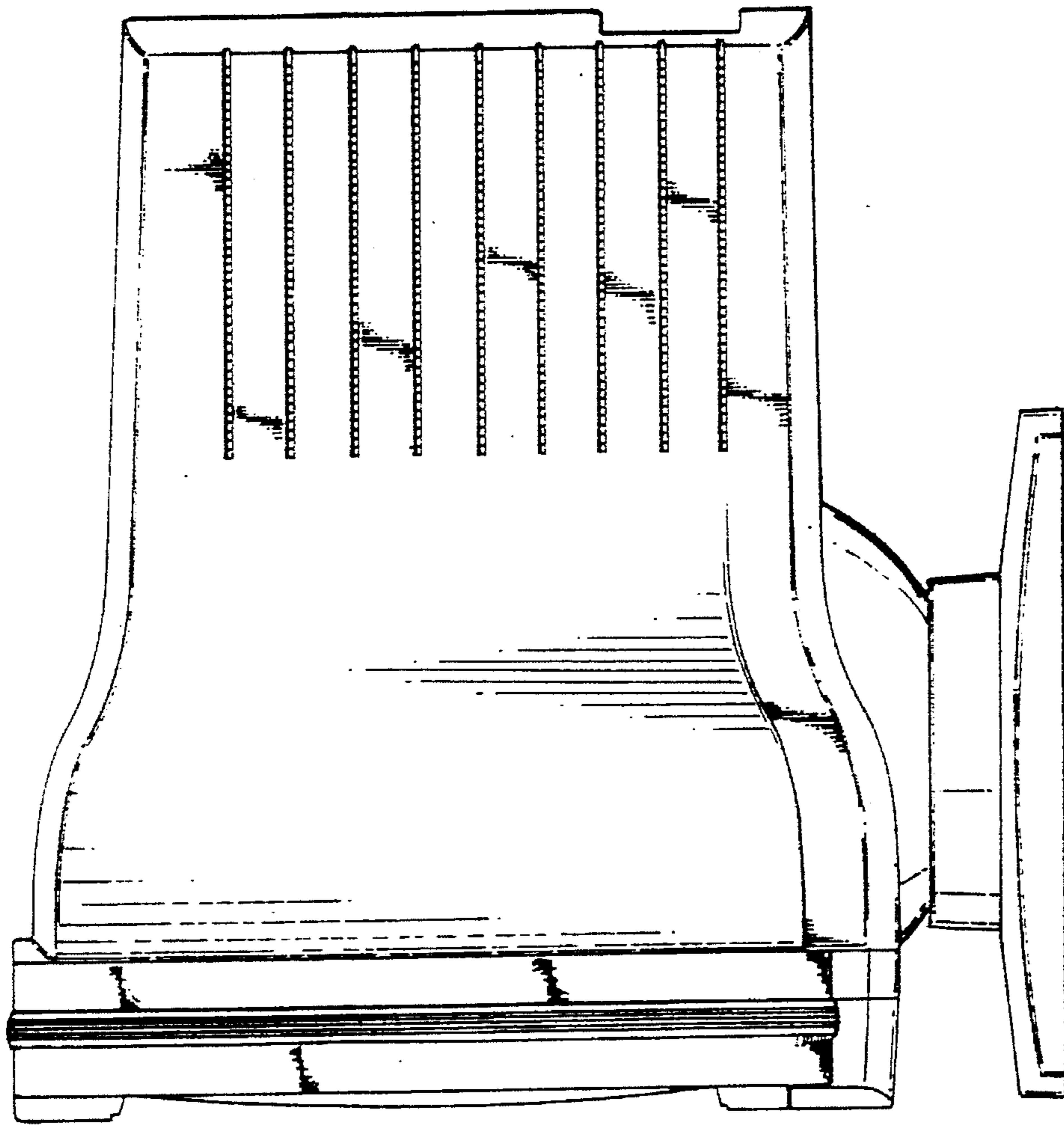


FIG. 5

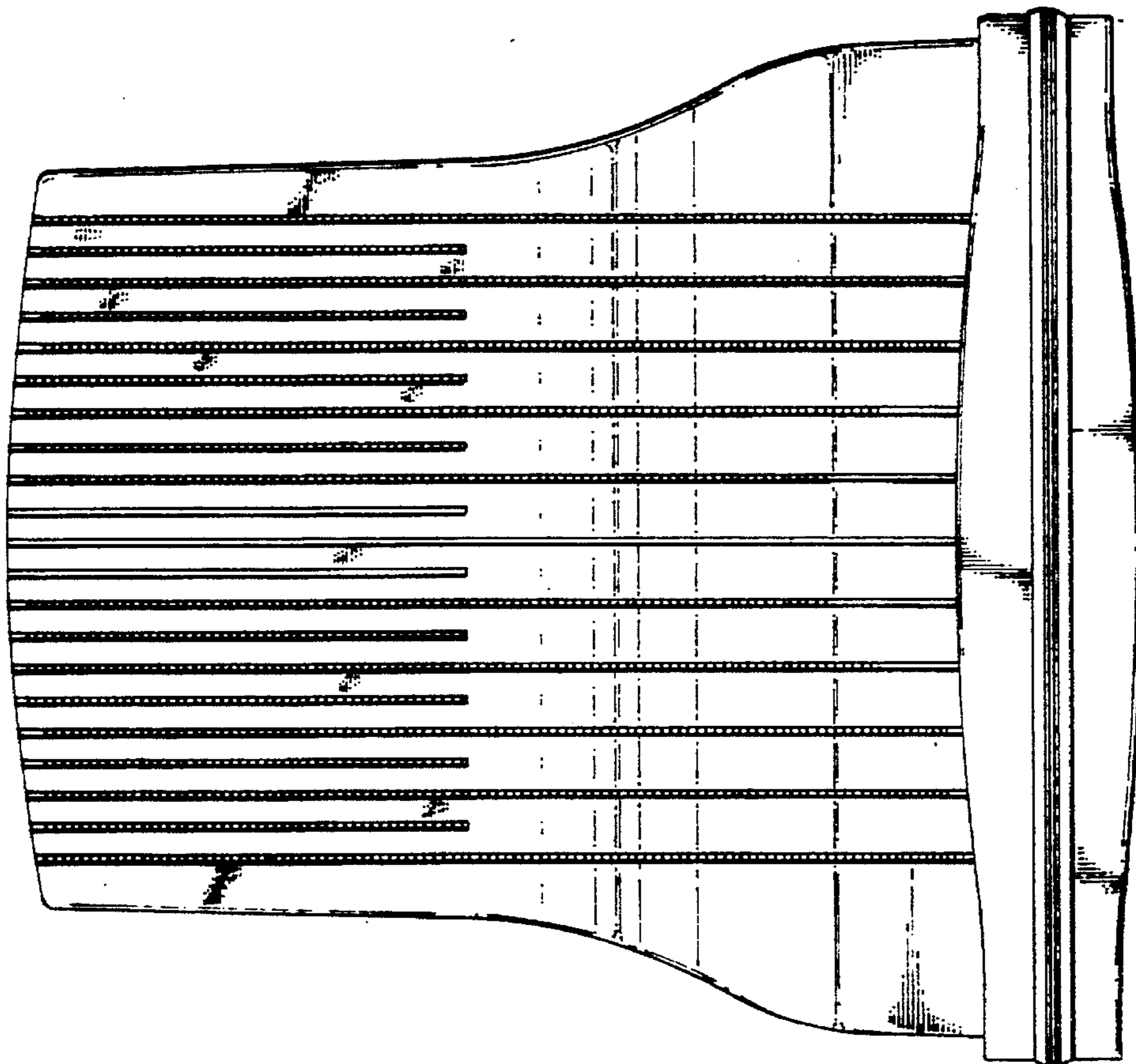


FIG. 6

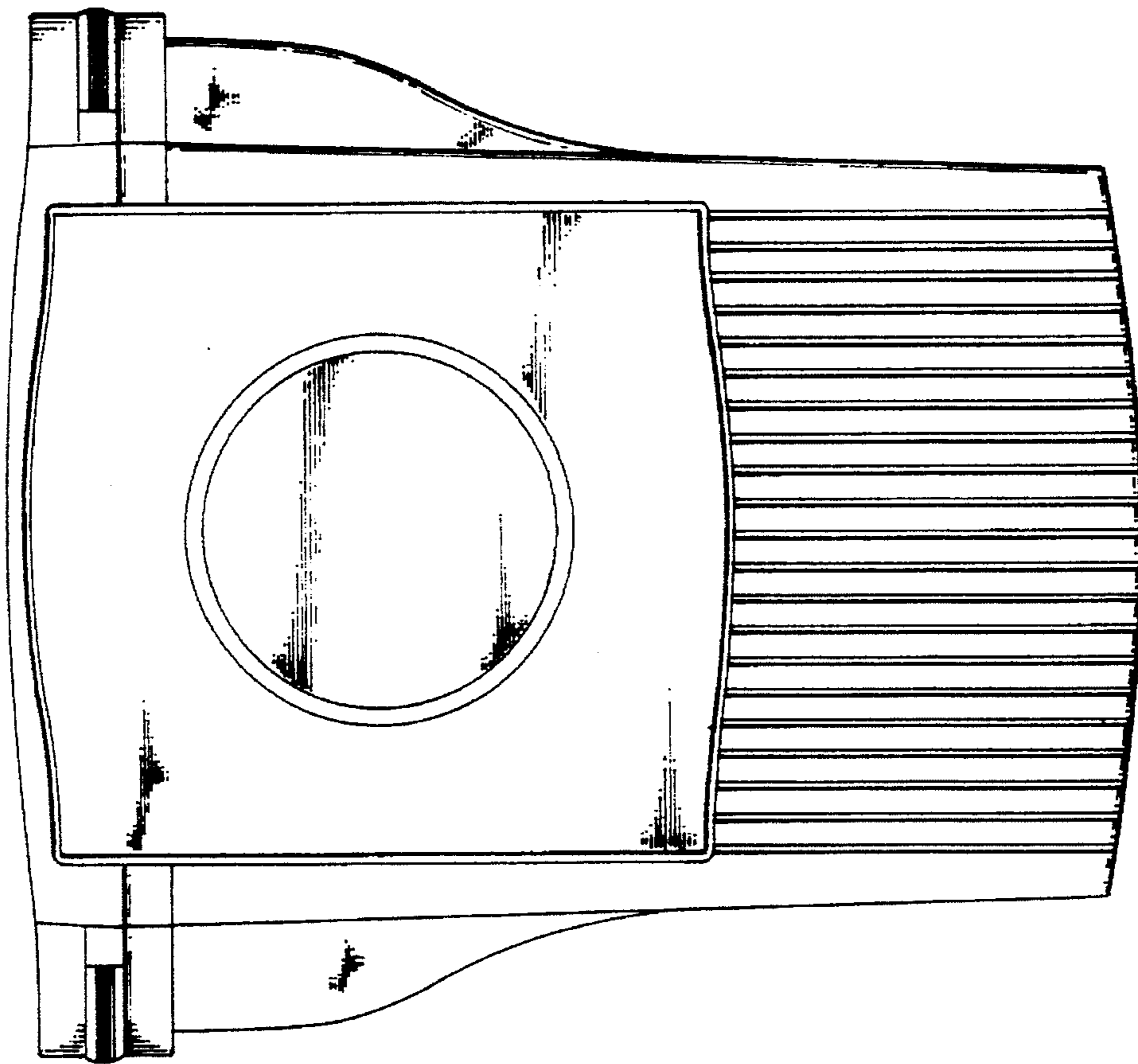


FIG. 7