



US00D364855S

United States Patent [19]

Onoda

[11] Patent Number: **Des. 364,855**

[45] Date of Patent: ****Dec. 5, 1995**

[54] **DISPLAY APPARATUS FOR ELECTRONIC COMPUTERS**

842277 7/1992 Japan .
863348 3/1993 Japan .
867462 4/1993 Japan .

[75] Inventor: **Hiroshi Onoda**, Tokyo, Japan

Primary Examiner—Freda Nunn
Attorney, Agent, or Firm—Banner & Allegretti, Ltd.

[73] Assignee: **Kabushiki Kaisha Toshiba**, Japan

[**] Term: **14 Years**

[57] **CLAIM**

[21] Appl. No.: **29,069**

The ornamental design for a display apparatus for electronic computers, as shown and described.

[22] Filed: **Sep. 28, 1994**

DESCRIPTION

[30] **Foreign Application Priority Data**

Mar. 29, 1994 [JP] Japan 6-8233
Mar. 29, 1994 [JP] Japan 6-8234

[52] **U.S. Cl.** **D14/113**

[58] **Field of Search** D14/100, 101,
D14/105, 106, 113, 124-129; 345/104,
133, 156, 168, 87, 173, 901-905; 358/249,
254, 255; 248/917-924

FIG. 1 is a top, front and right side perspective view of a display apparatus for electronic computers showing my new design according to a first embodiment;
FIG. 2 is a front elevational view thereof;
FIG. 3 is a left side elevational view thereof;
FIG. 4 is a right side elevational view thereof;
FIG. 5 is a rear elevational view thereof;
FIG. 6 is a top plan view thereof;
FIG. 7 is a bottom plan view thereof;
FIG. 8 is a top, front and right side perspective view of a display apparatus for electronic computers showing my new design according to a second embodiment;
FIG. 9 is a front elevational view thereof;
FIG. 10 is a right side elevational view thereof; and,
FIG. 11 is a top plan view thereof.

[56] **References Cited**

U.S. PATENT DOCUMENTS

D. 344,933 3/1994 Wiseman et al. D14/113
D. 355,176 2/1995 Maeno et al. D14/113
D. 355,649 2/1995 Gale et al. D14/113 X
D. 356,077 3/1995 Harada et al. D14/126

The rear elevational, left side elevational, and bottom plan views of the second embodiment are the same as those of the first embodiment shown in FIGS. 3, 5 and 7 respectively.

FOREIGN PATENT DOCUMENTS

829477 2/1992 Japan .

1 Claim, 5 Drawing Sheets

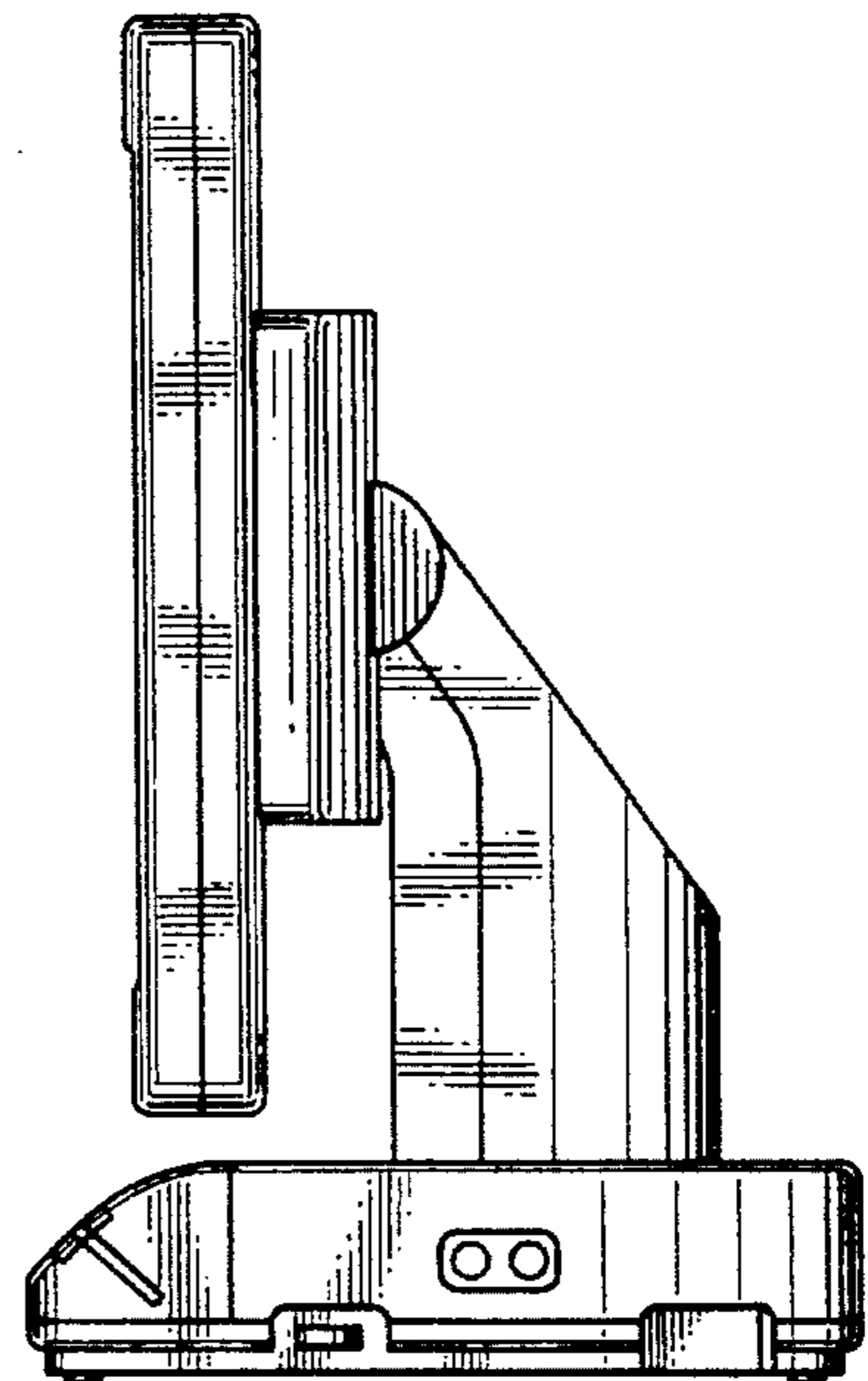
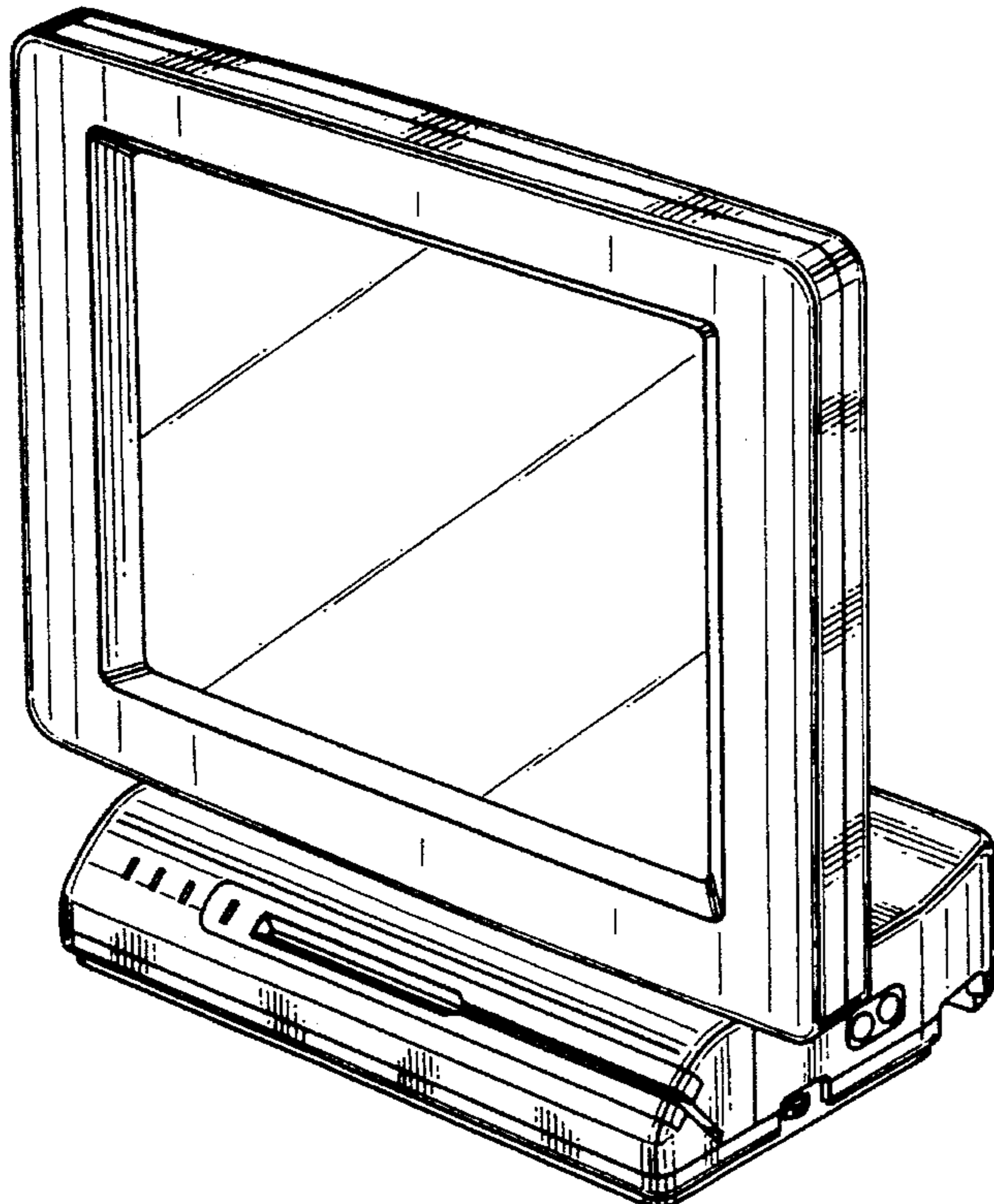


FIG. 1

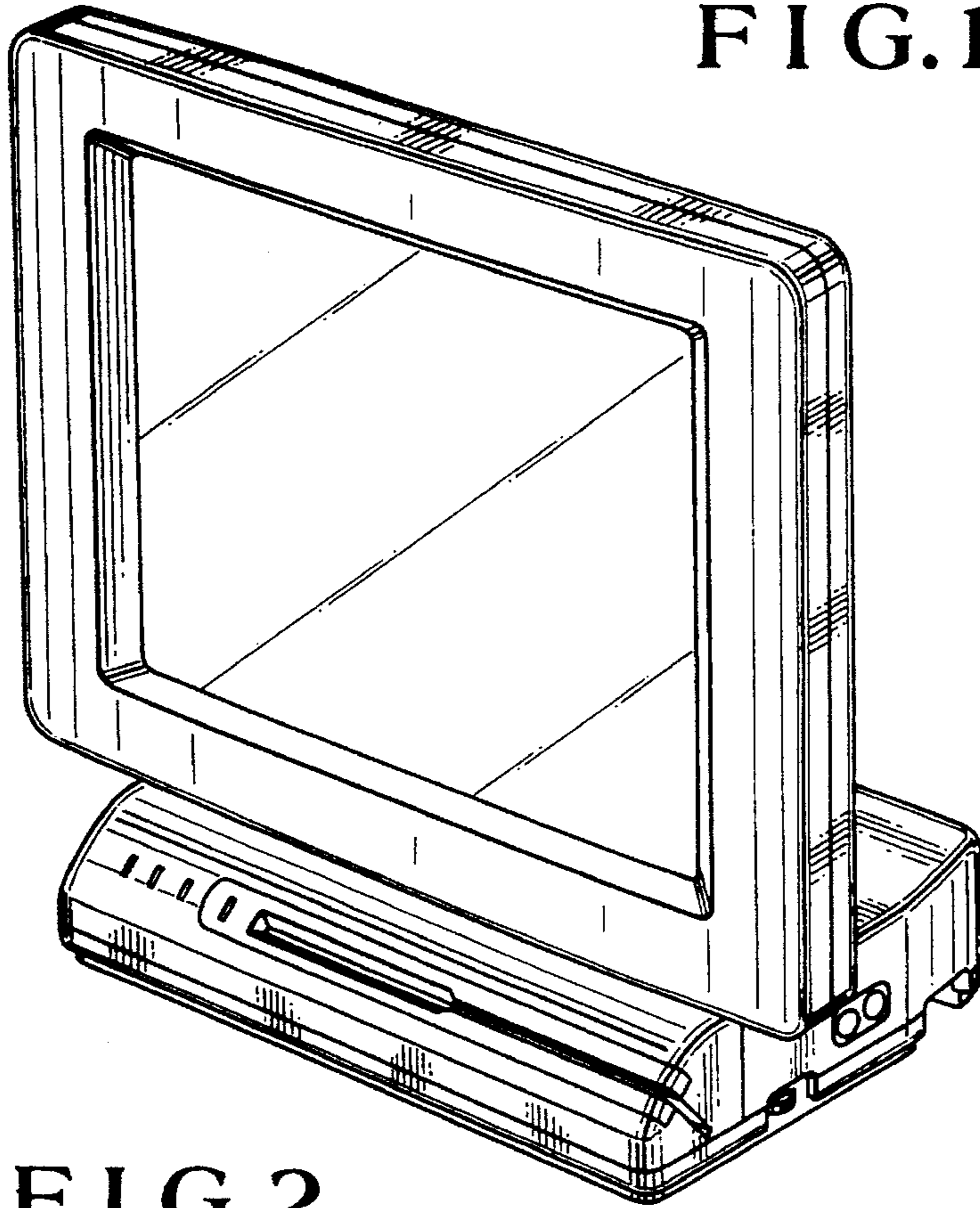


FIG. 2

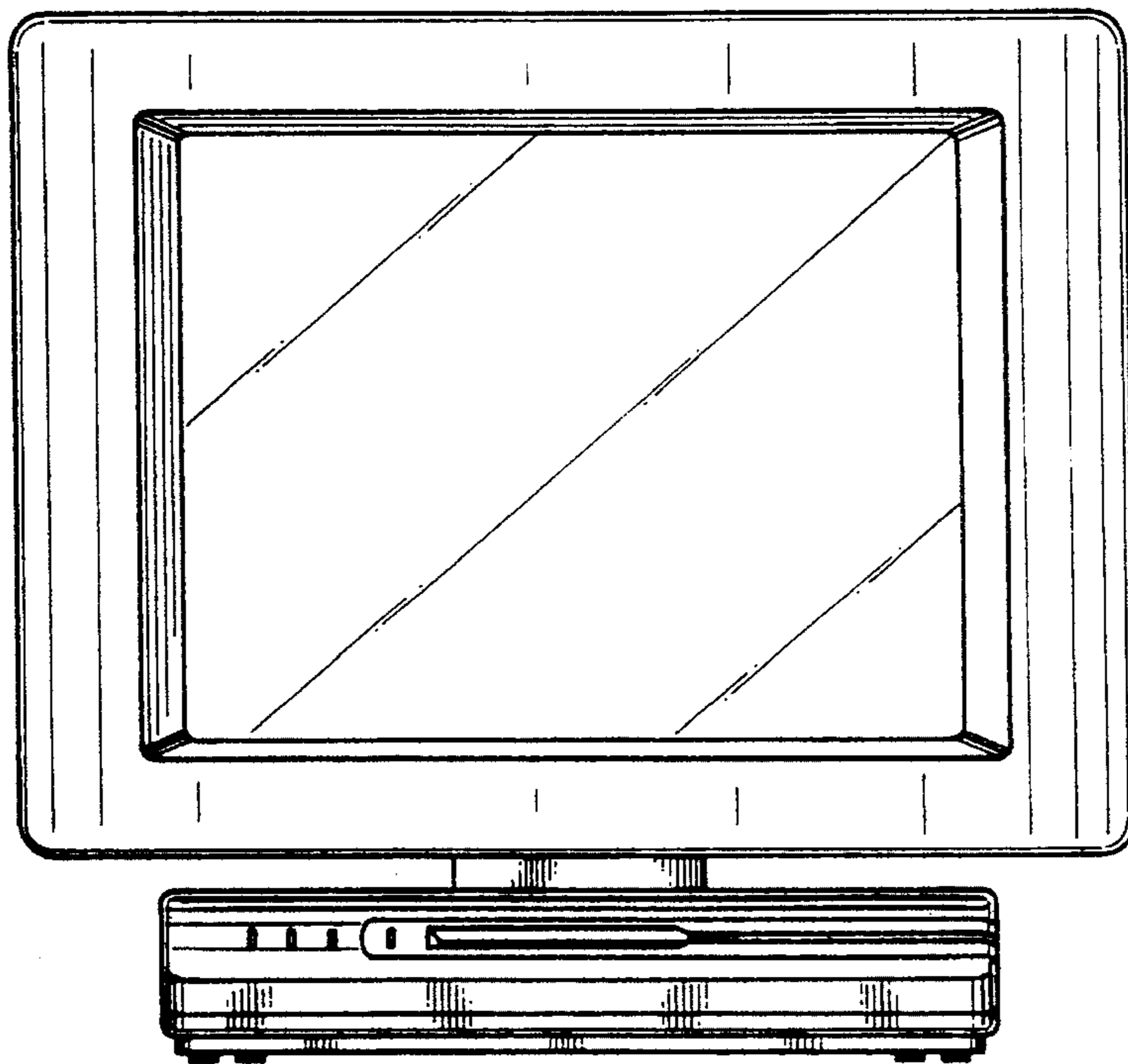


FIG.3

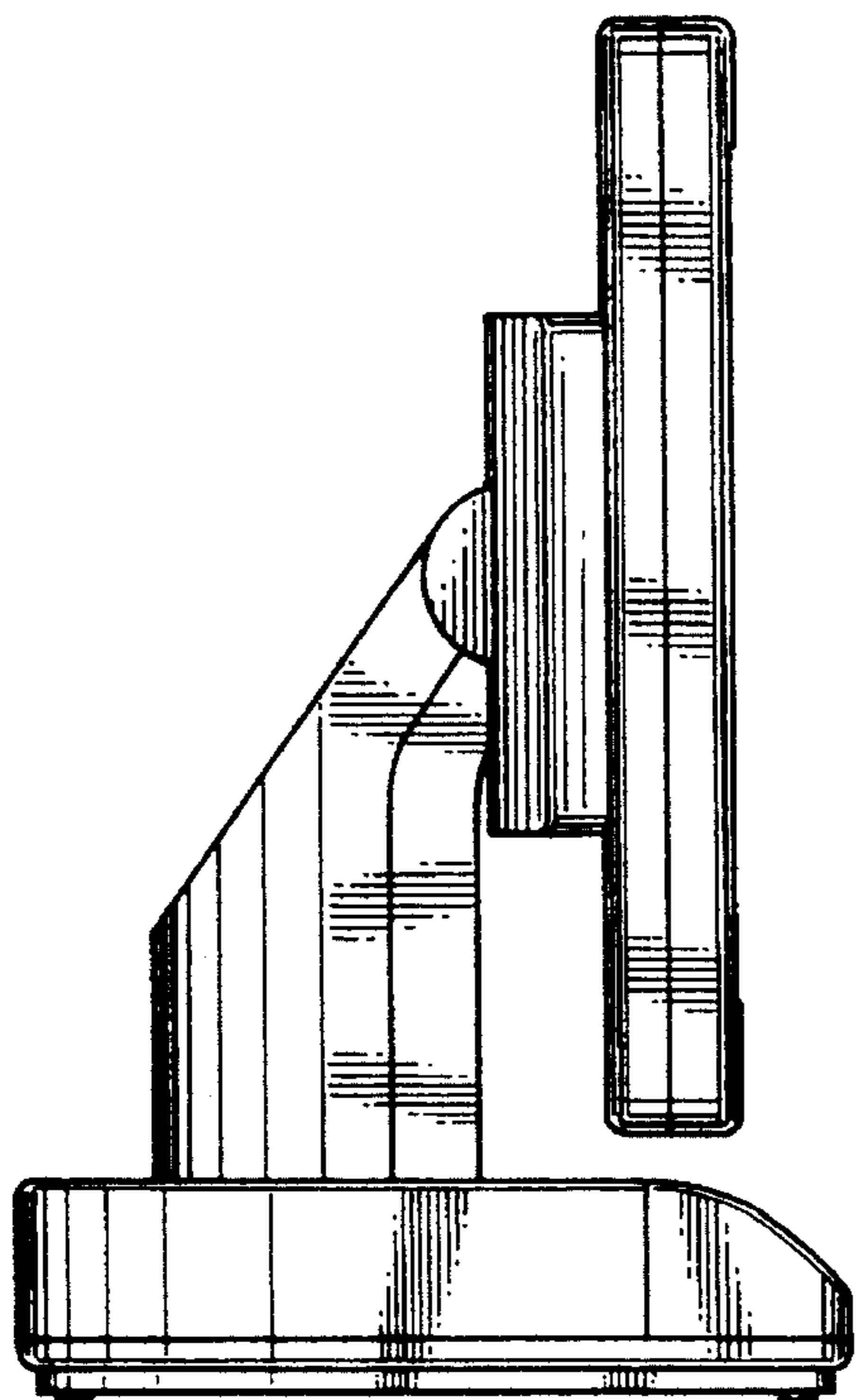


FIG.4

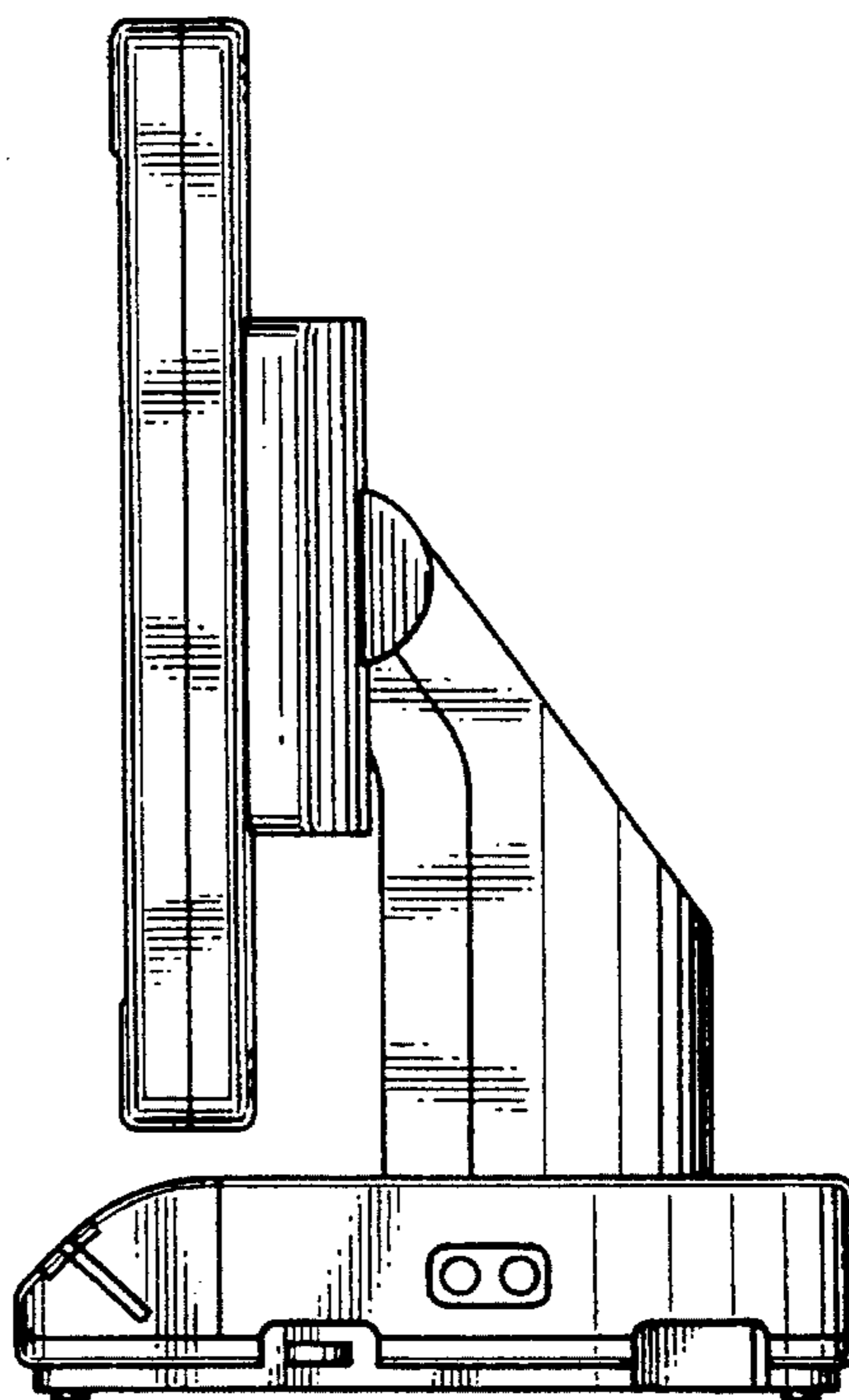


FIG.5

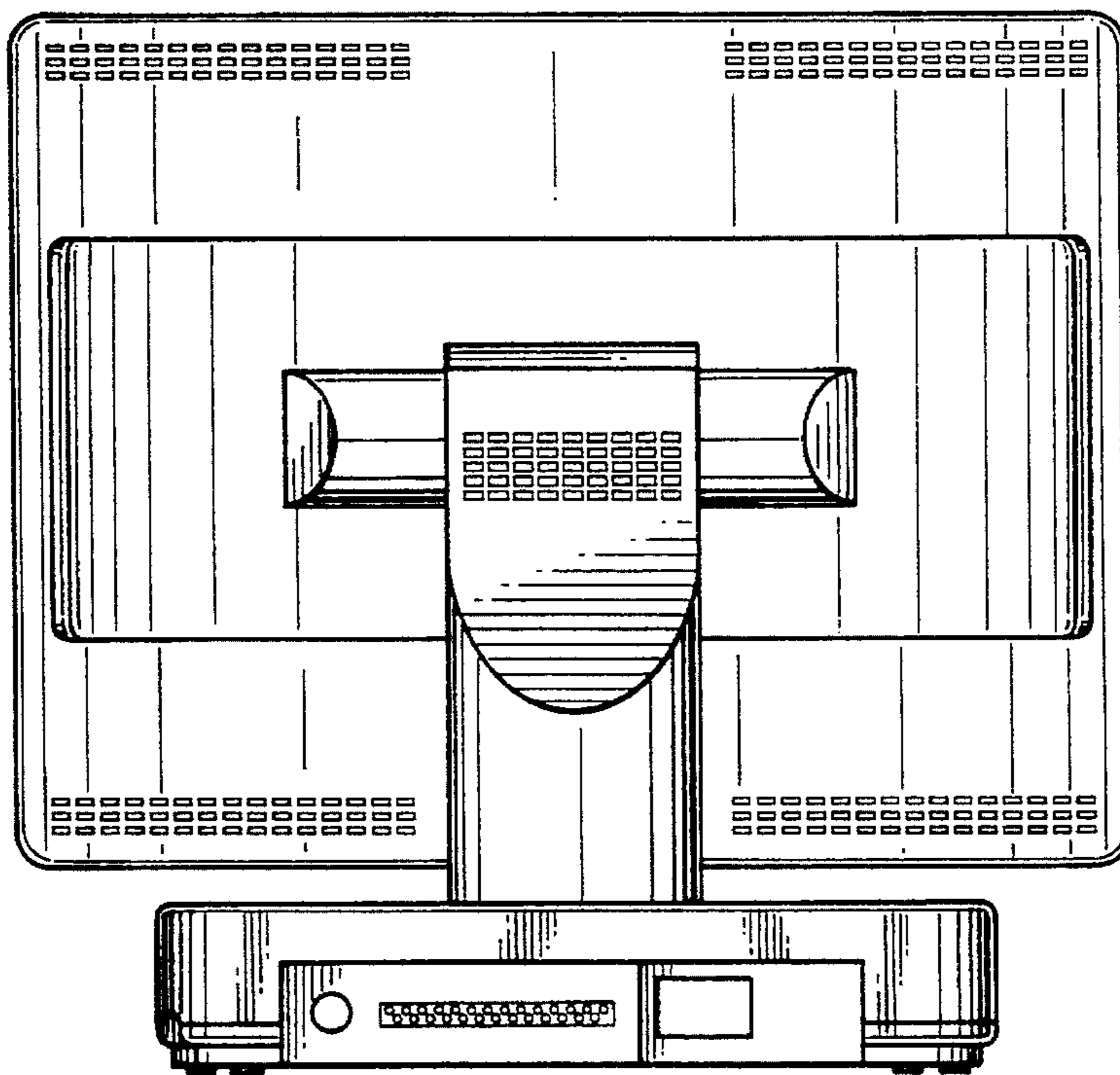


FIG.6

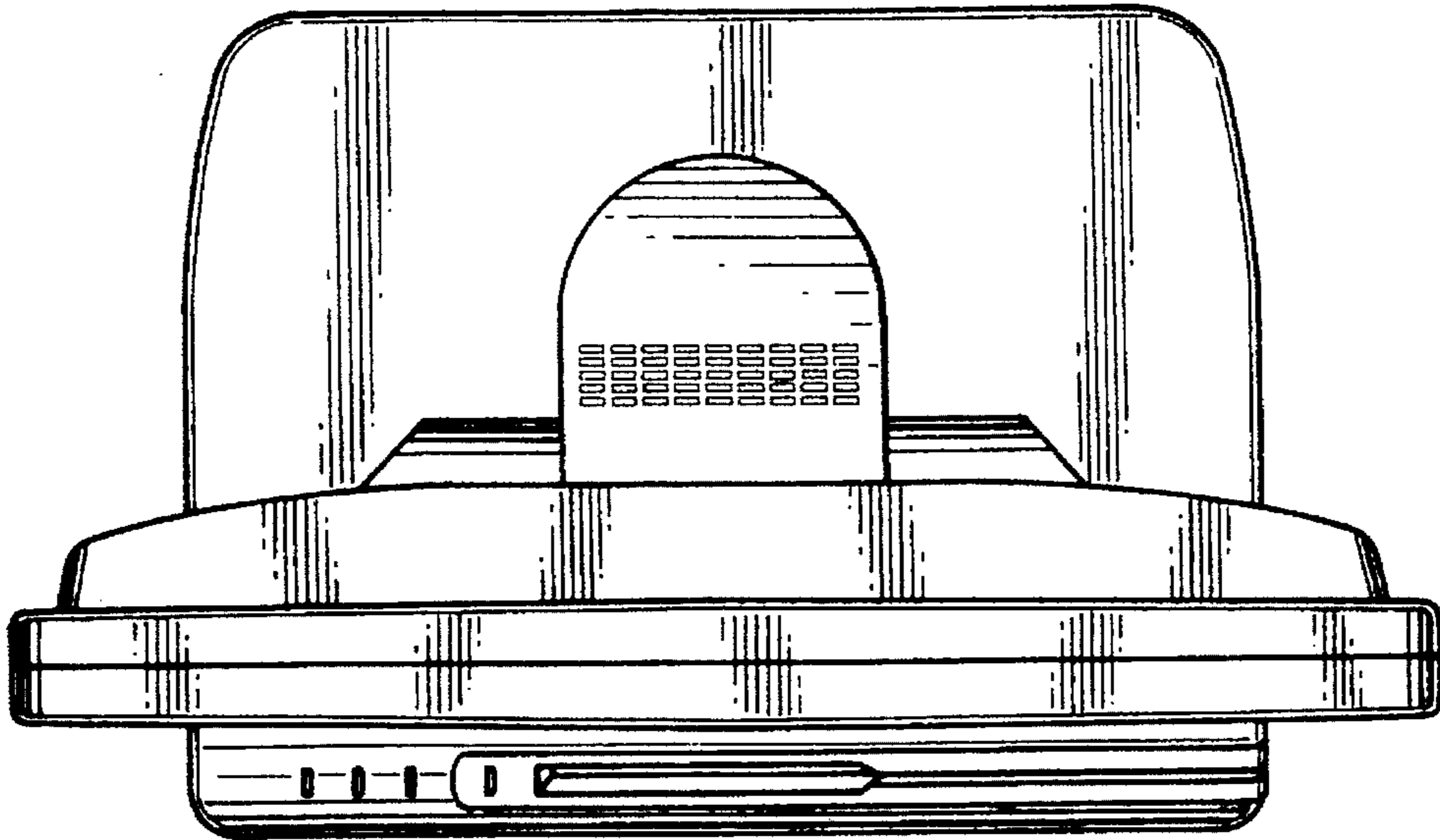


FIG.7

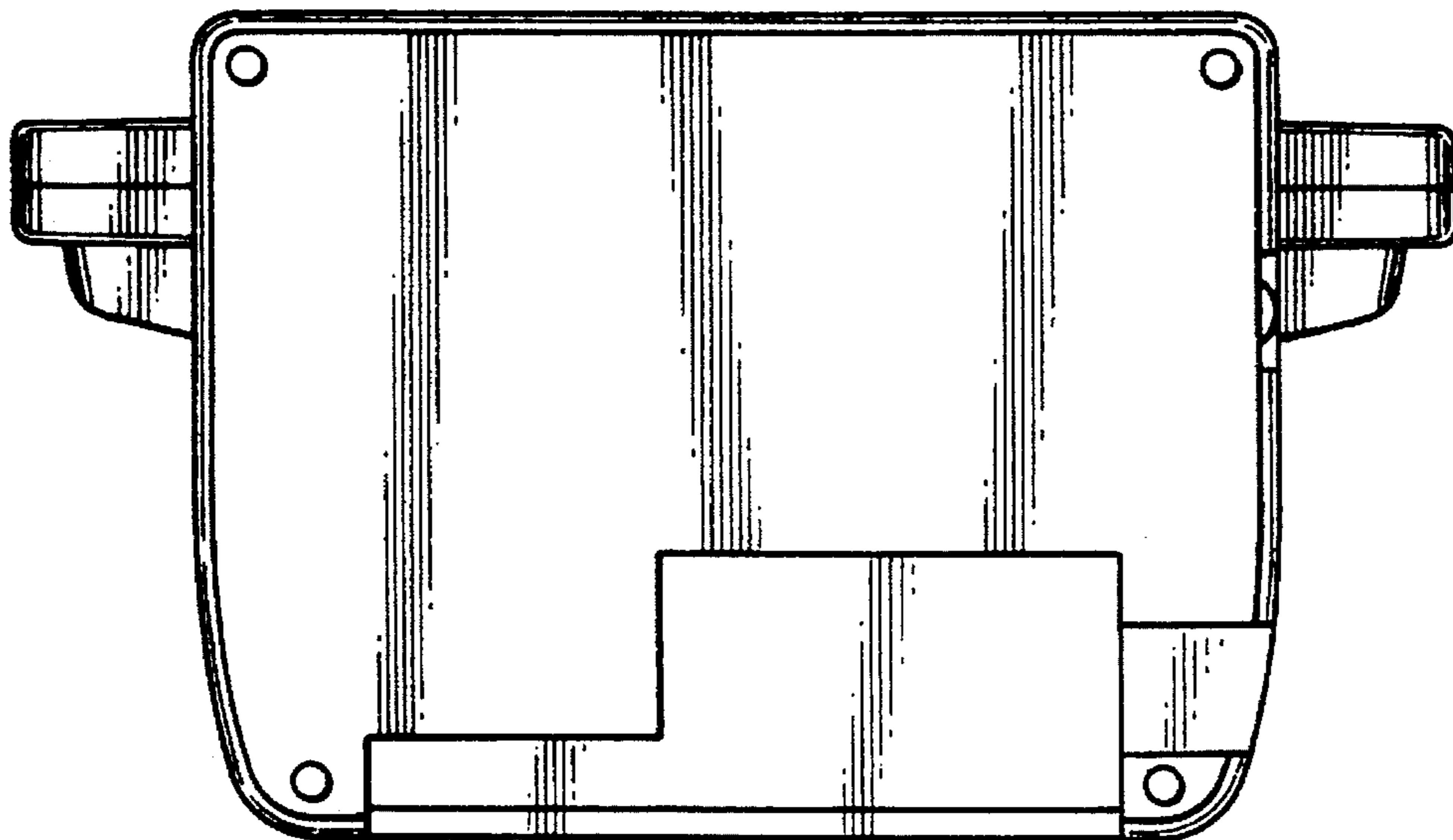


FIG. 8

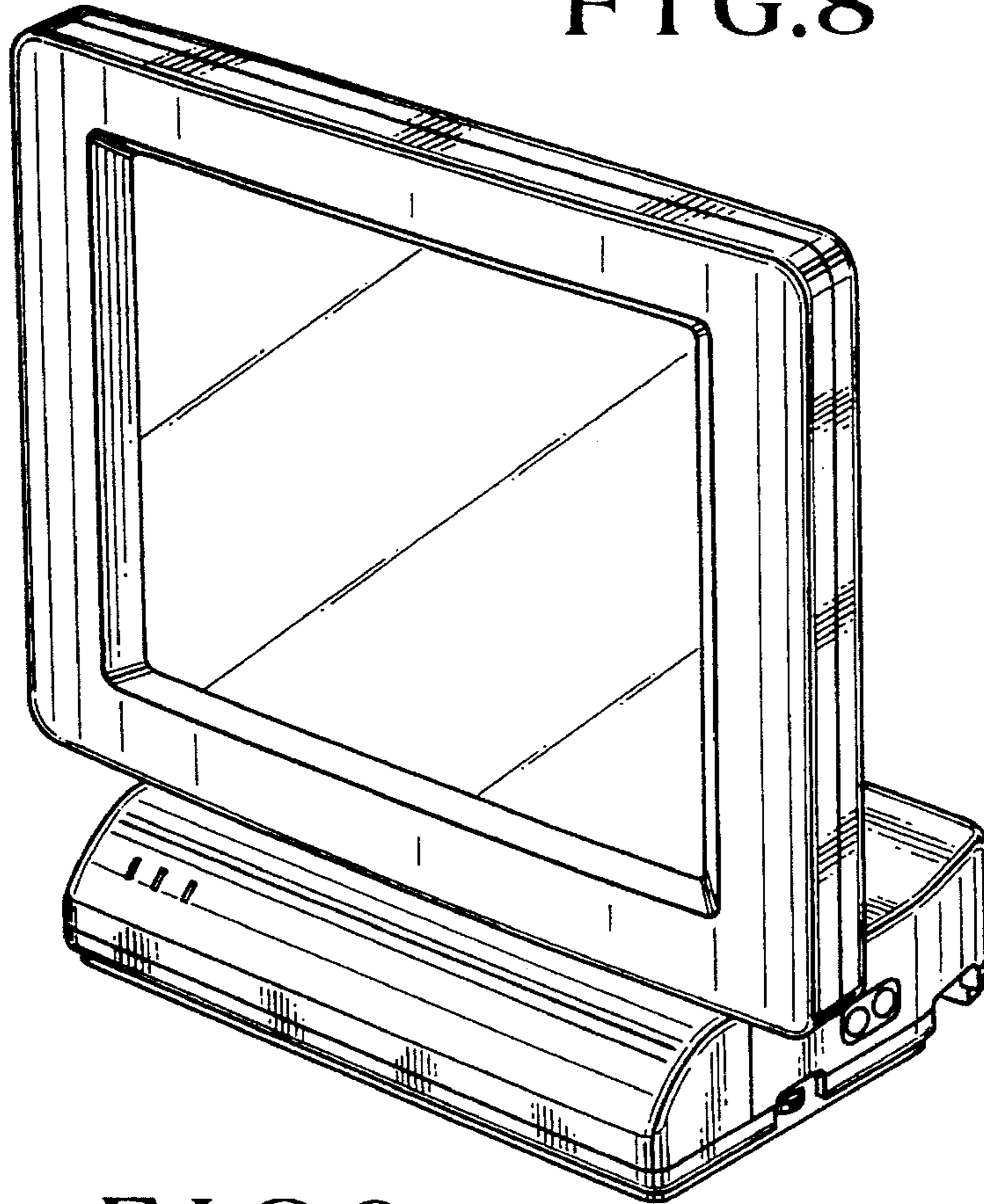


FIG. 9

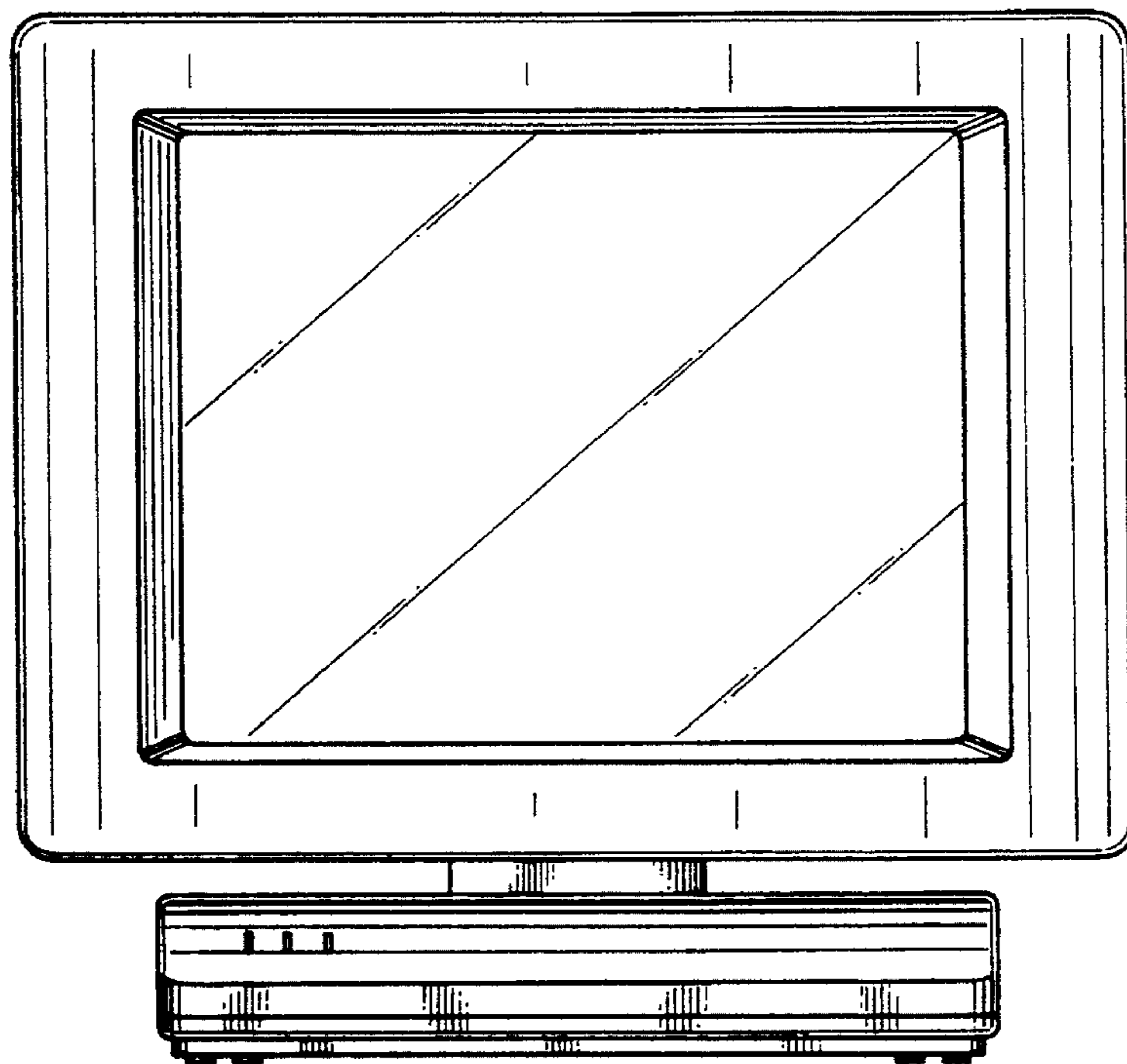


FIG.10

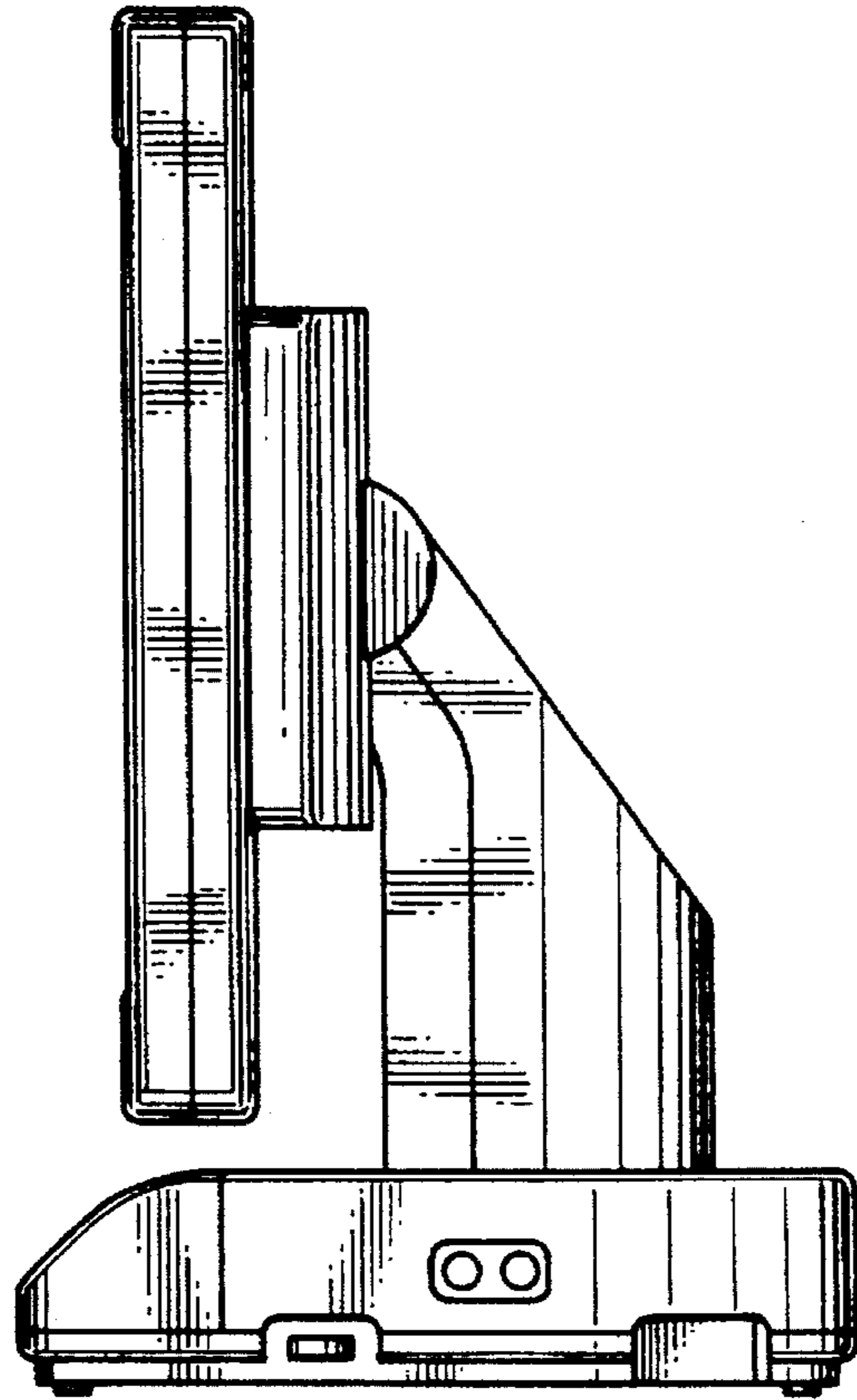


FIG.11

