



US00D364854S

United States Patent [19] Palermo

[11] **Patent Number:** **Des. 364,854**
[45] **Date of Patent:** ****Dec. 5, 1995**

[54] **ELECTRIC READOUT DISPLAY UNIT**

D. 303,661 9/1989 Manabe et al. D14/113
D. 305,647 1/1990 Kato et al. D14/113
5,329,289 7/1994 Sakamoto et al. D14/113 X

[76] Inventor: **Joseph A. Palermo**, 887 A Connetquot Ave., Islip Terrace, N.Y. 11752

Primary Examiner—Freda Nunn
Attorney, Agent, or Firm—Harold H. Dutton, Jr.

[**] Term: **14 Years**

[57] **CLAIM**

[21] Appl. No.: **26,943**

The design for an electric readout display unit, as shown.

[22] Filed: **Oct. 7, 1994**

[52] U.S. Cl. **D14/113; D10/103**

DESCRIPTION

[58] **Field of Search** D14/100, 101, D14/106, 113, 124-129; 248/917-924; 345/104, 133, 156, 168, 87, 173, 901-905; 358/249, 254, 255; D10/40, 46, 46.1, 60, 103; D17/4, 9

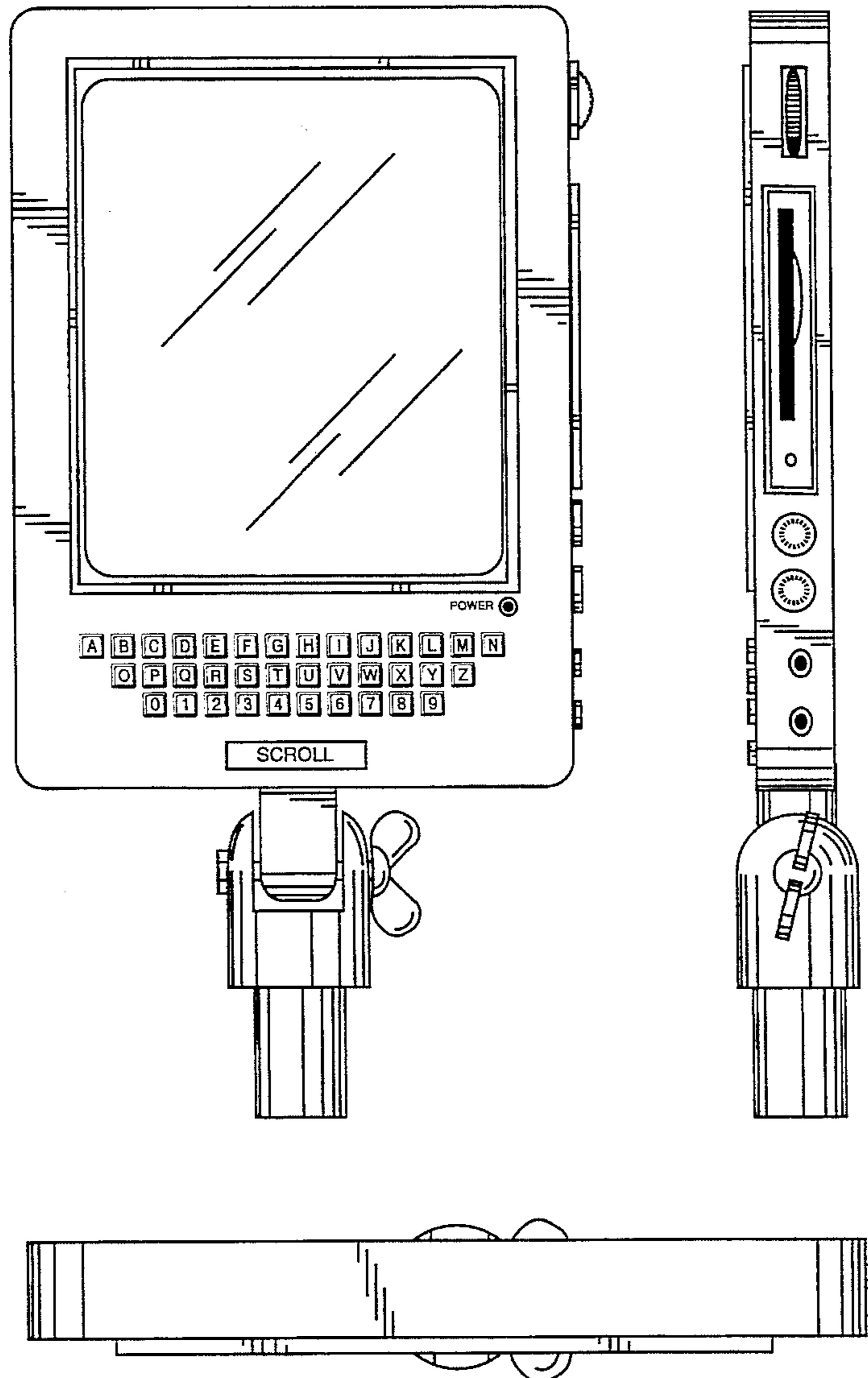
FIG. 1 is a front view of an electric readout display unit showing my new design;
FIG. 2 is a rear view thereof;
FIG. 3 is a left side view thereof;
FIG. 4 is a right side view thereof;
FIG. 5 is a top edge view thereof; and,
FIG. 6 is a bottom edge view thereof.

[56] **References Cited**

U.S. PATENT DOCUMENTS

D. 276,320 11/1984 Thalmer D10/46 X

1 Claim, 4 Drawing Sheets



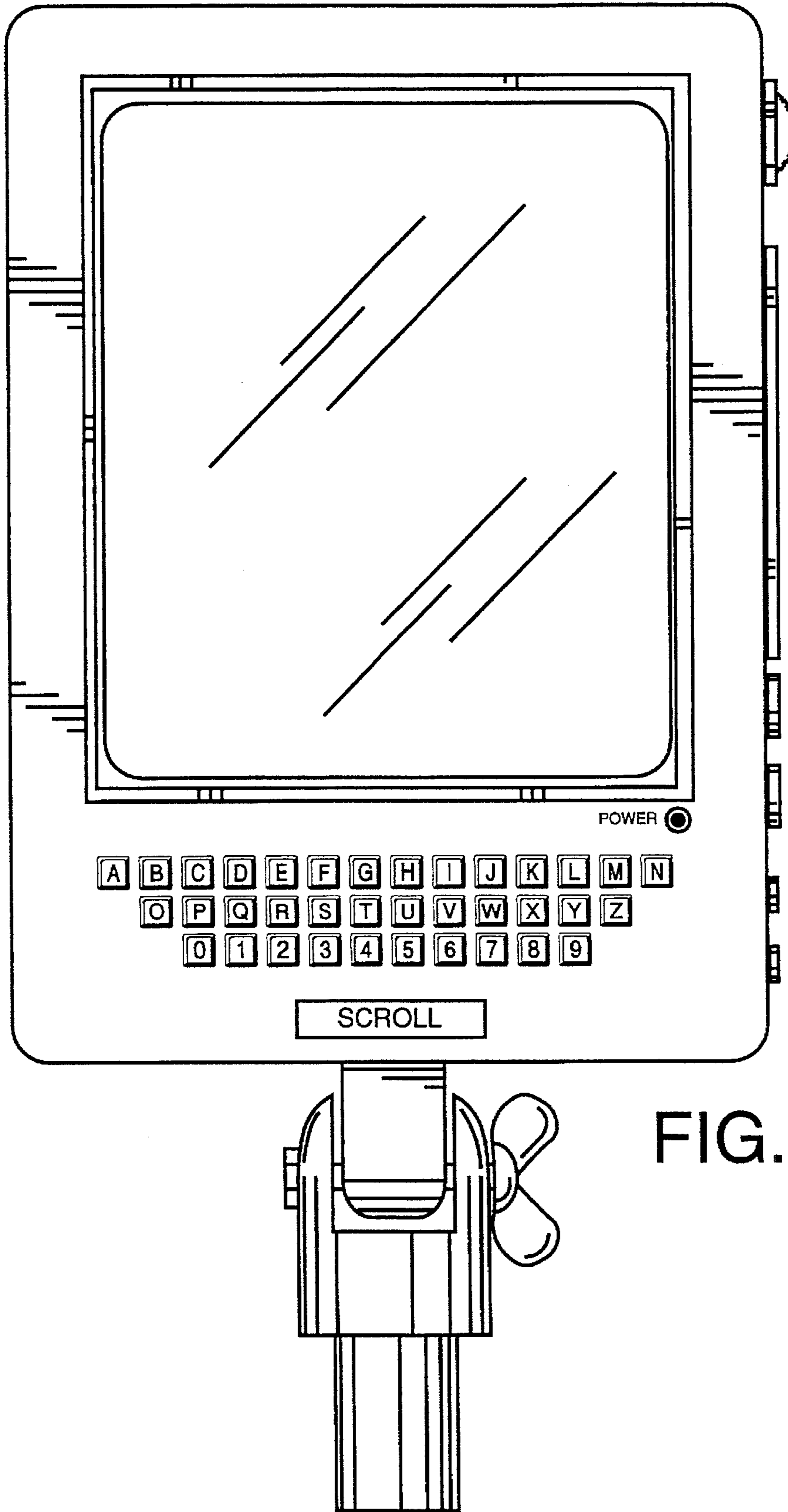


FIG. 1

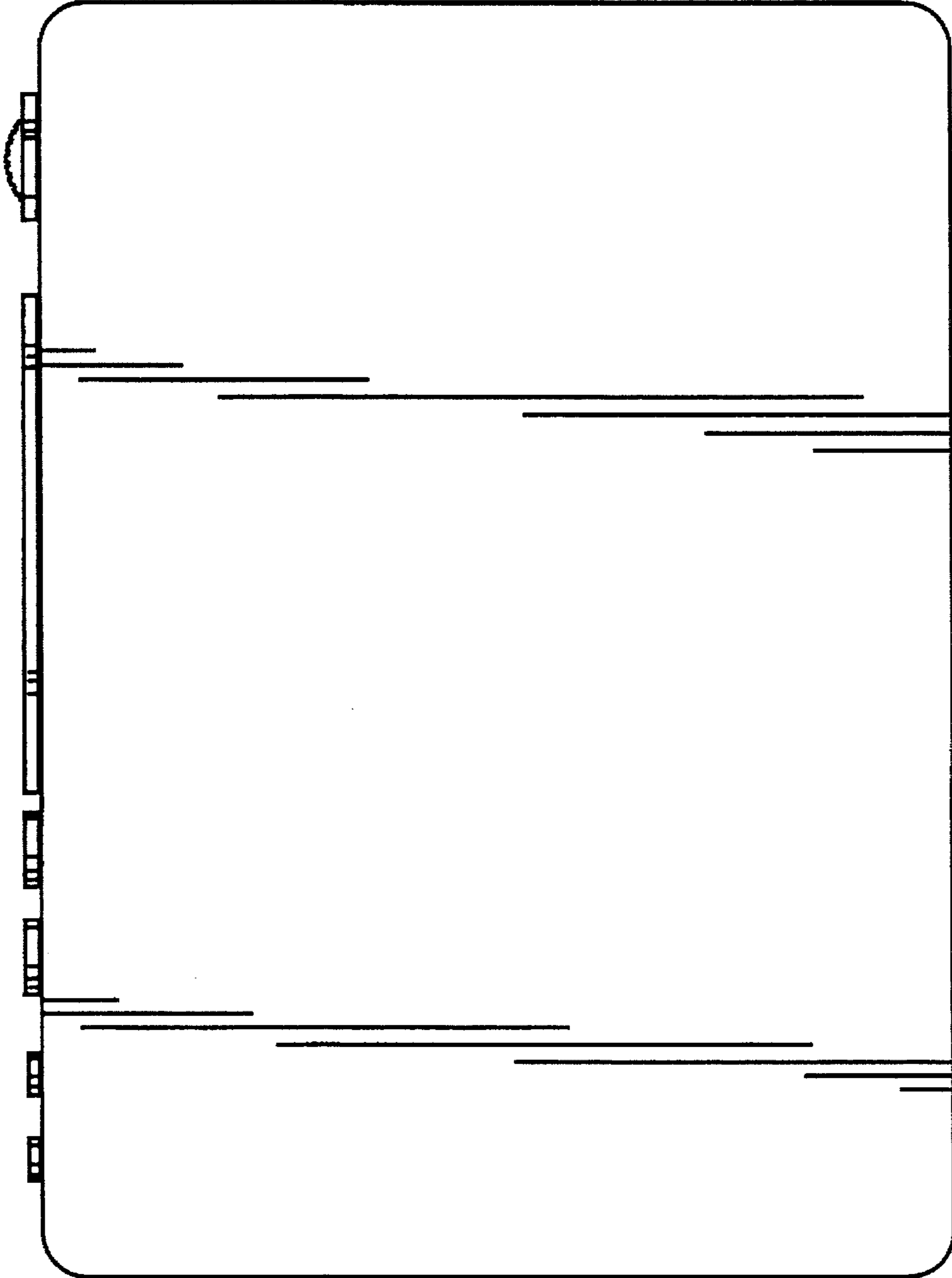
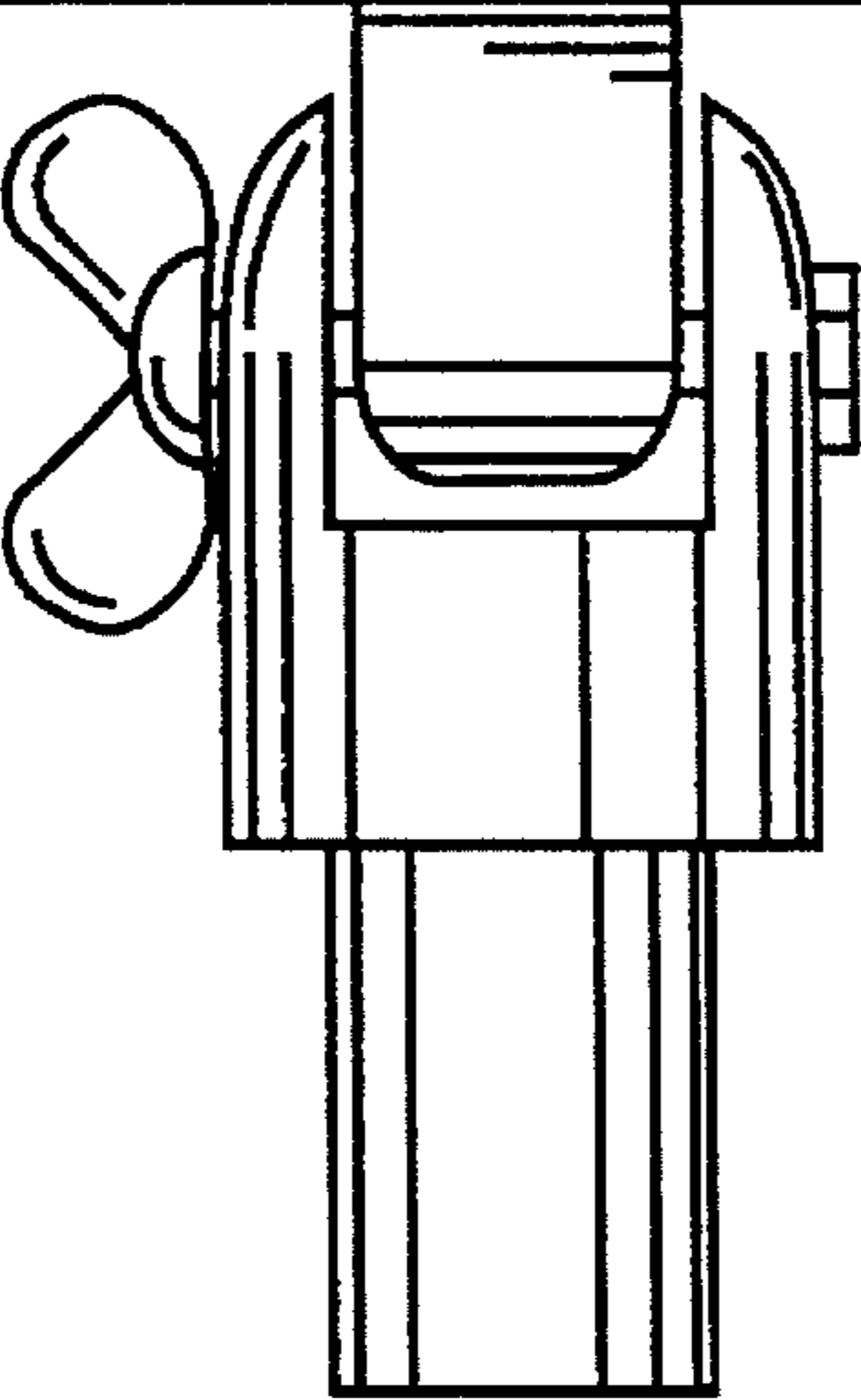


FIG. 2



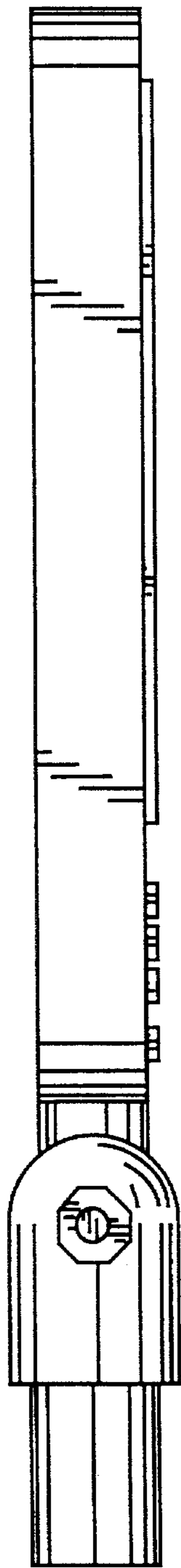


FIG. 3

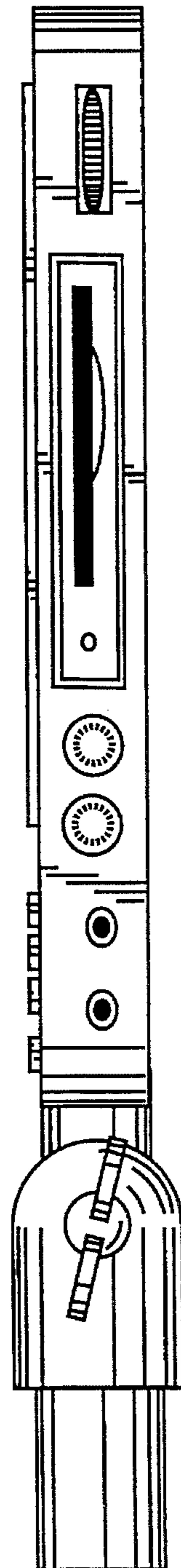


FIG. 4

FIG. 5

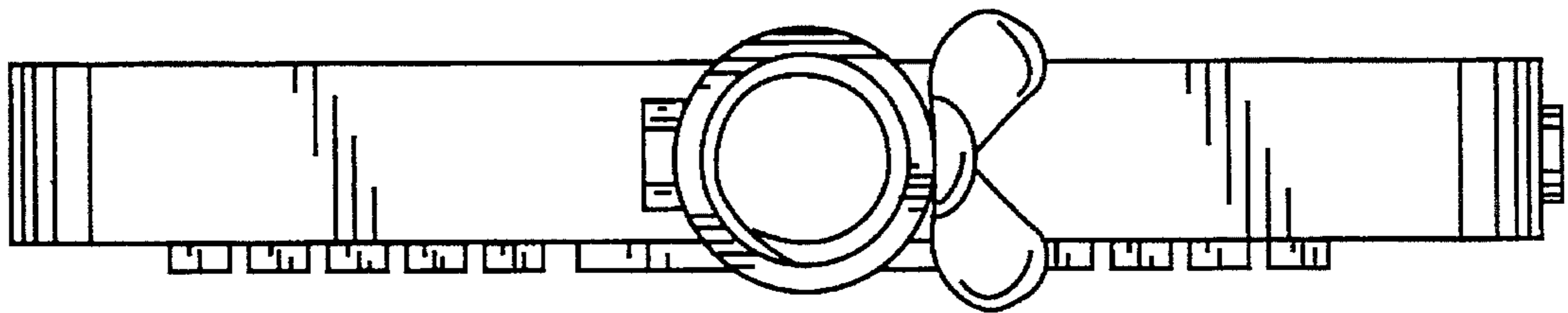
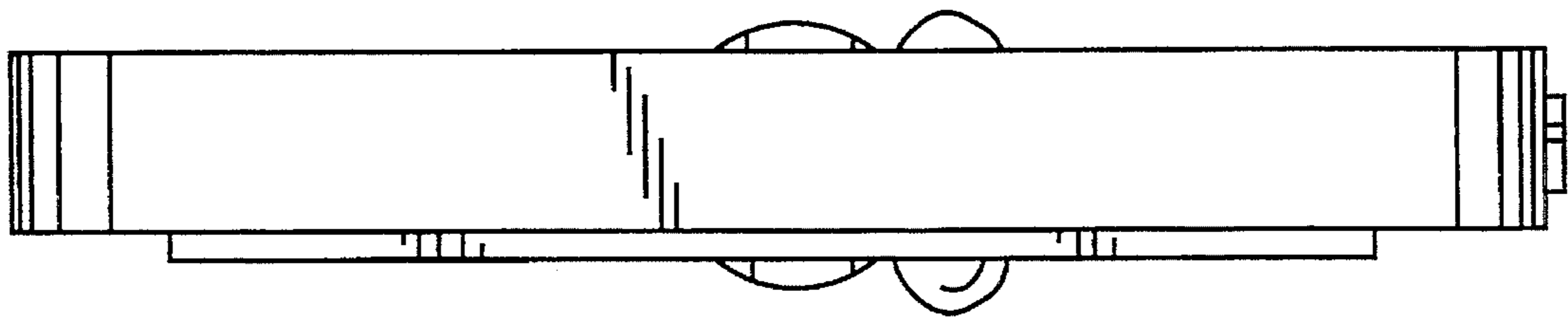


FIG. 6