



US00D364852S

# United States Patent [19] Park

[11] **Patent Number:** **Des. 364,852**  
[45] **Date of Patent:** **\*\*Dec. 5, 1995**

[54] **VIDEO IMAGE SCANNER**

D. 352,502 11/1994 Hasegawa ..... D14/107  
4,963,986 10/1990 Fukuyama et al. .... 348/373  
5,247,330 9/1993 Ohyama et al. .... 355/64

[75] Inventor: **Heui-seong Park**, Goonpo, Rep. of Korea

*Primary Examiner*—Ted Shooman  
*Assistant Examiner*—Adir Aronovich  
*Attorney, Agent, or Firm*—Christie, Parker & Hale

[73] Assignee: **Samsung Aerospace Industries, Ltd.**, Rep. of Korea

[\*\*] Term: **14 Years**

[57] **CLAIM**

[21] Appl. No.: **18,552**

The ornamental design for a video image scanner, as shown.

[22] Filed: **Feb. 9, 1994**

**DESCRIPTION**

[30] **Foreign Application Priority Data**

FIG. 1 is a front elevational view of a video image scanner showing my new design;  
FIG. 2 is a back elevational view of the design of FIG. 1;  
FIG. 3 is a top plan view of the design of FIG. 1;  
FIG. 4 is a bottom plan view of the design of FIG. 1;  
FIG. 5 is a left side elevational view of the design of FIG. 1;  
FIG. 6 is a right side elevational view of the design of FIG. 1; and,  
FIG. 7 is a top, front and right side perspective view of the design of FIG. 1.

Sep. 17, 1993 [KR] Rep. of Korea ..... 93-19190

[52] U.S. Cl. .... **D14/107; D16/232**

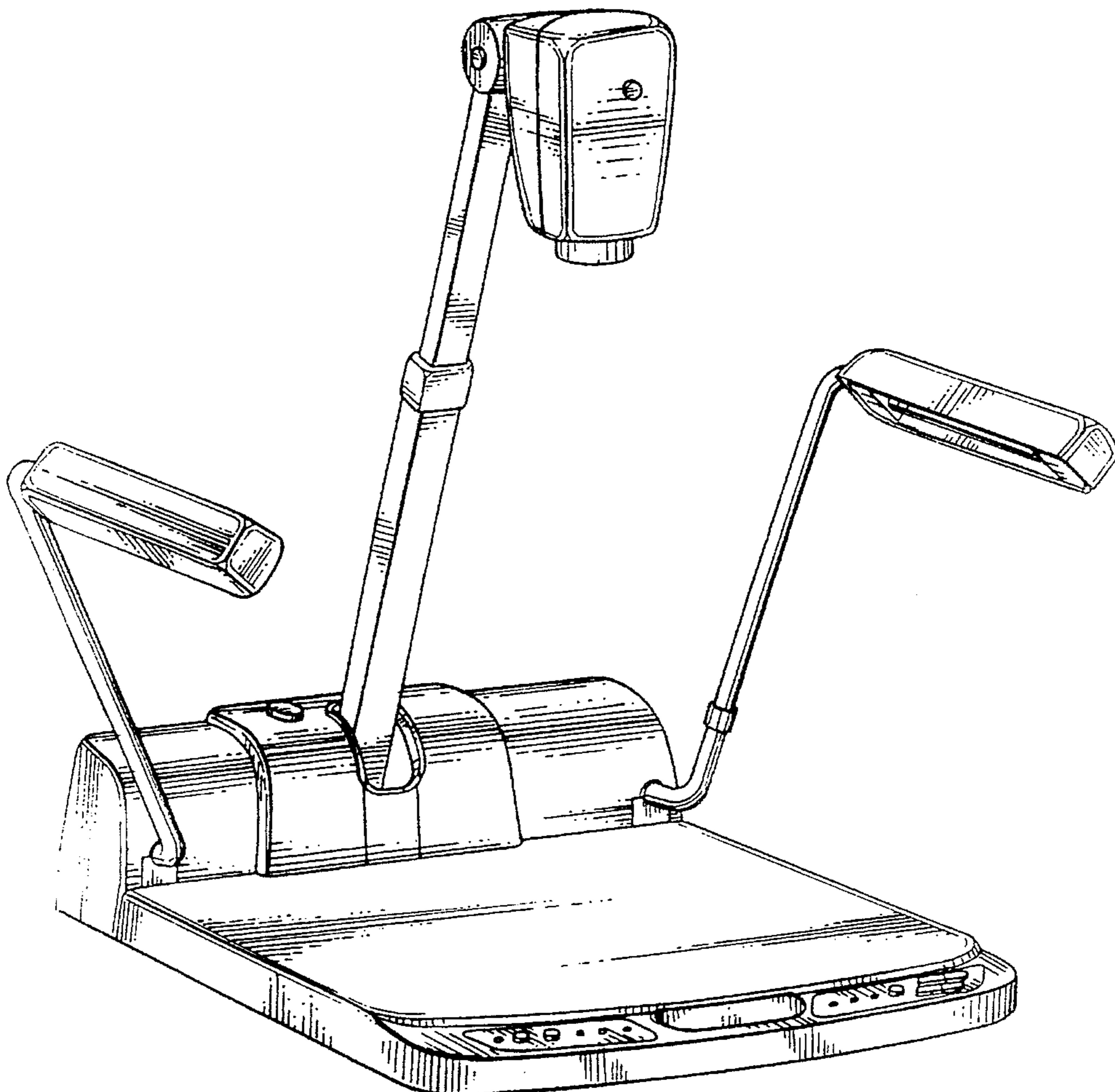
[58] **Field of Search** ..... D14/100, 107;  
D16/208, 214, 232, 229, 225; 353/61, 66,  
119, 122, DIG. 3, DIG. 4; 355/64, 65

[56] **References Cited**

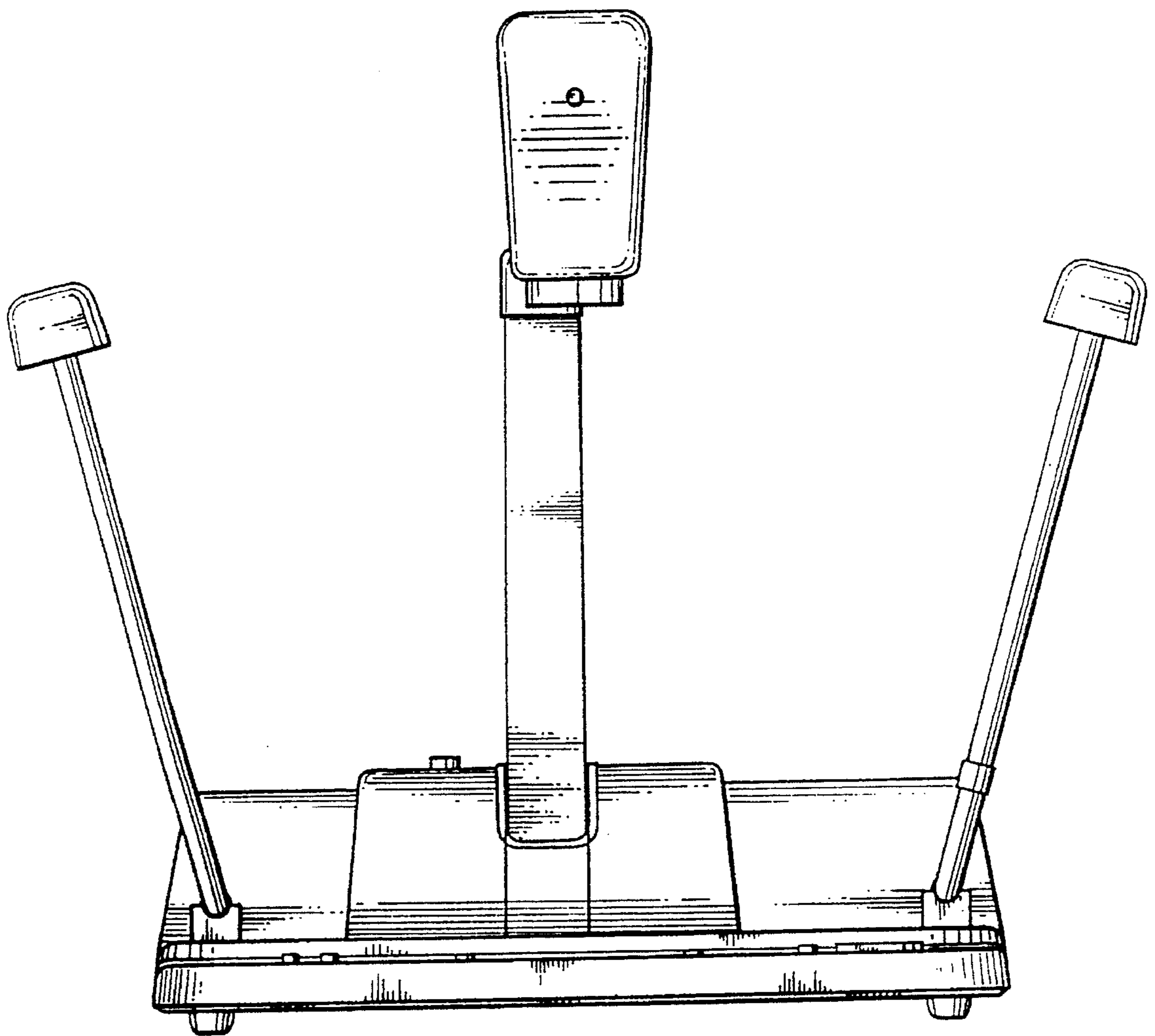
**U.S. PATENT DOCUMENTS**

D. 327,672 7/1992 Jimura ..... D14/107  
D. 342,272 12/1993 Saito ..... D16/208

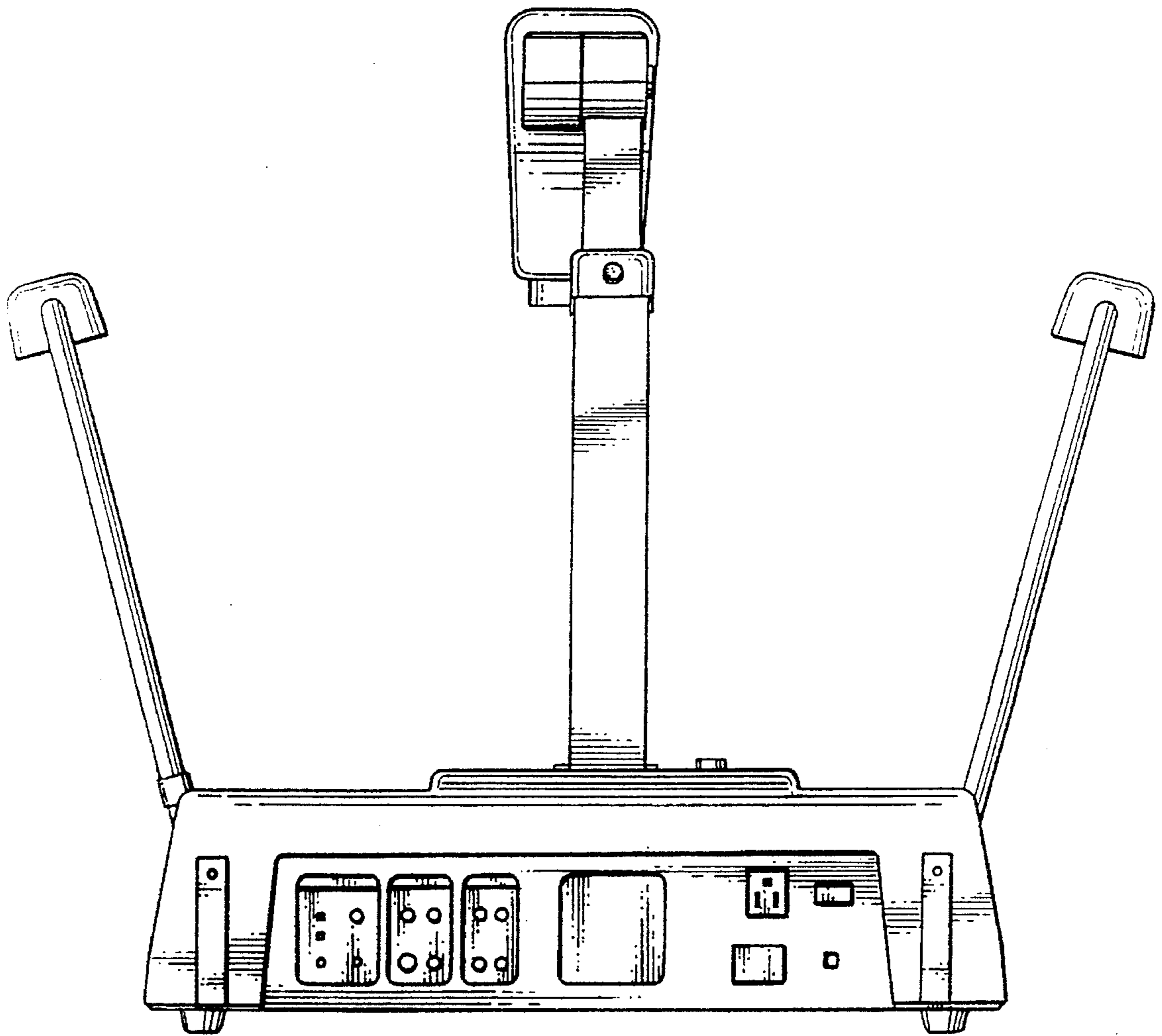
**1 Claim, 7 Drawing Sheets**



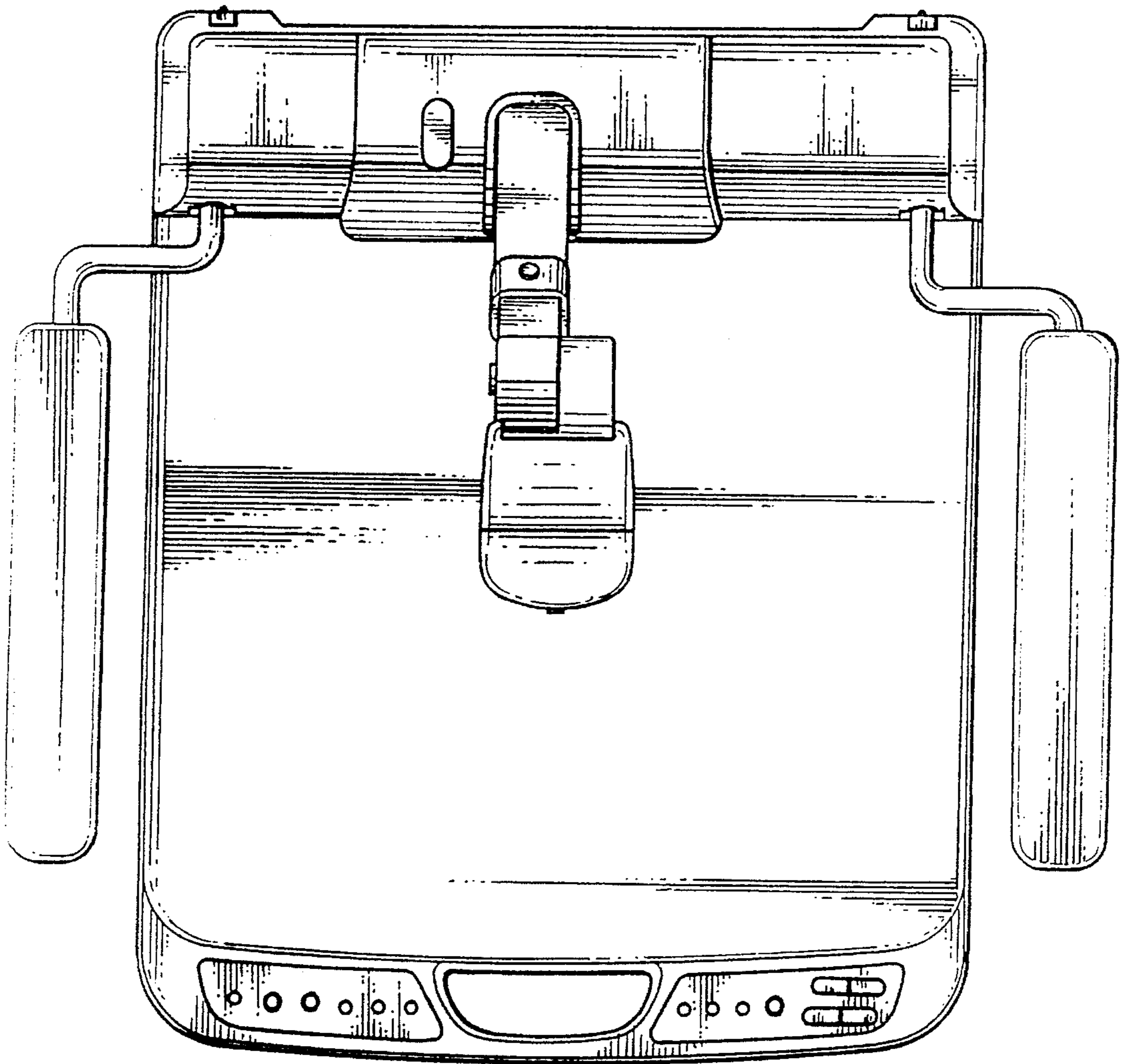
*Fig. 1*



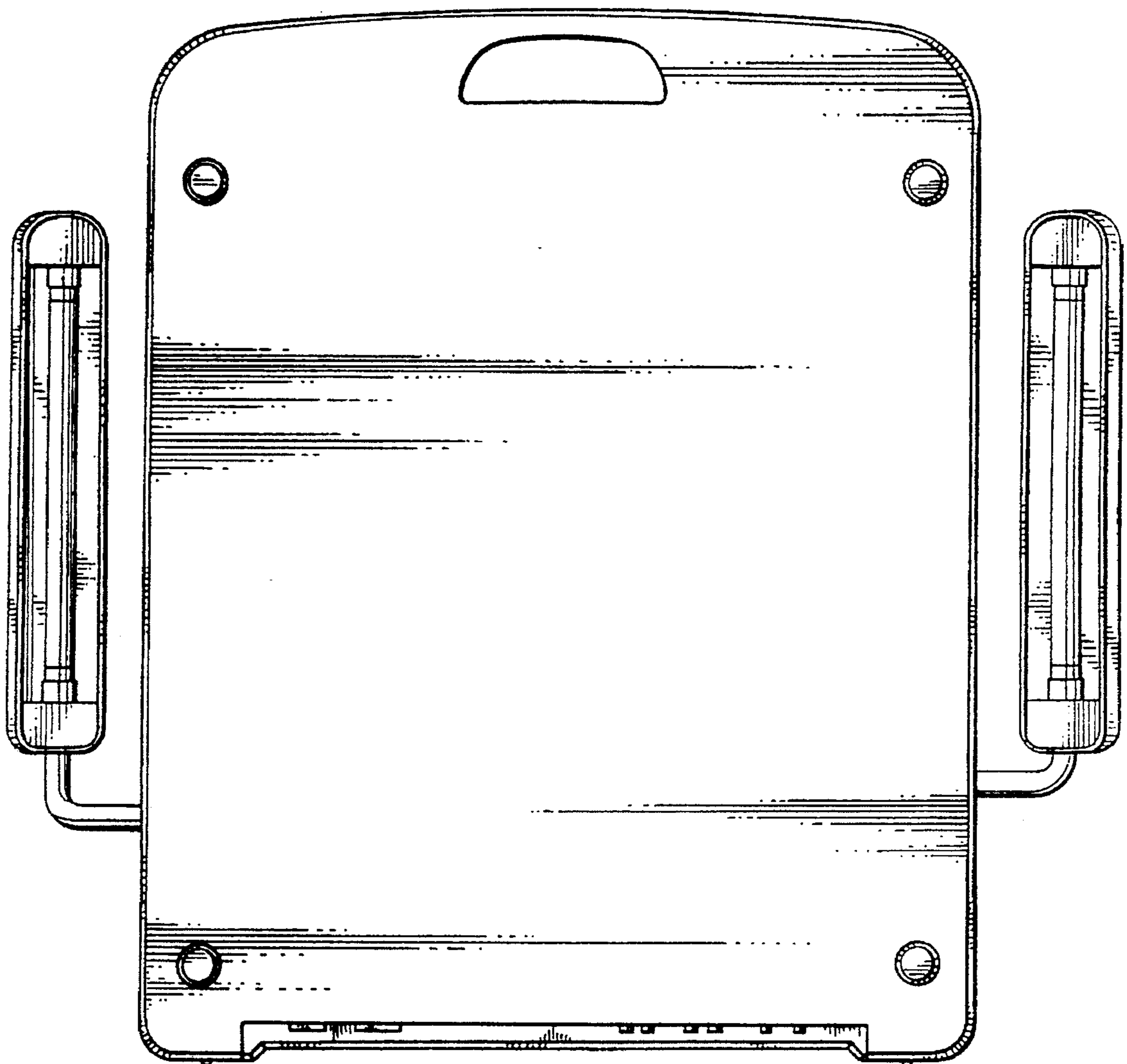
*Fig. 2*



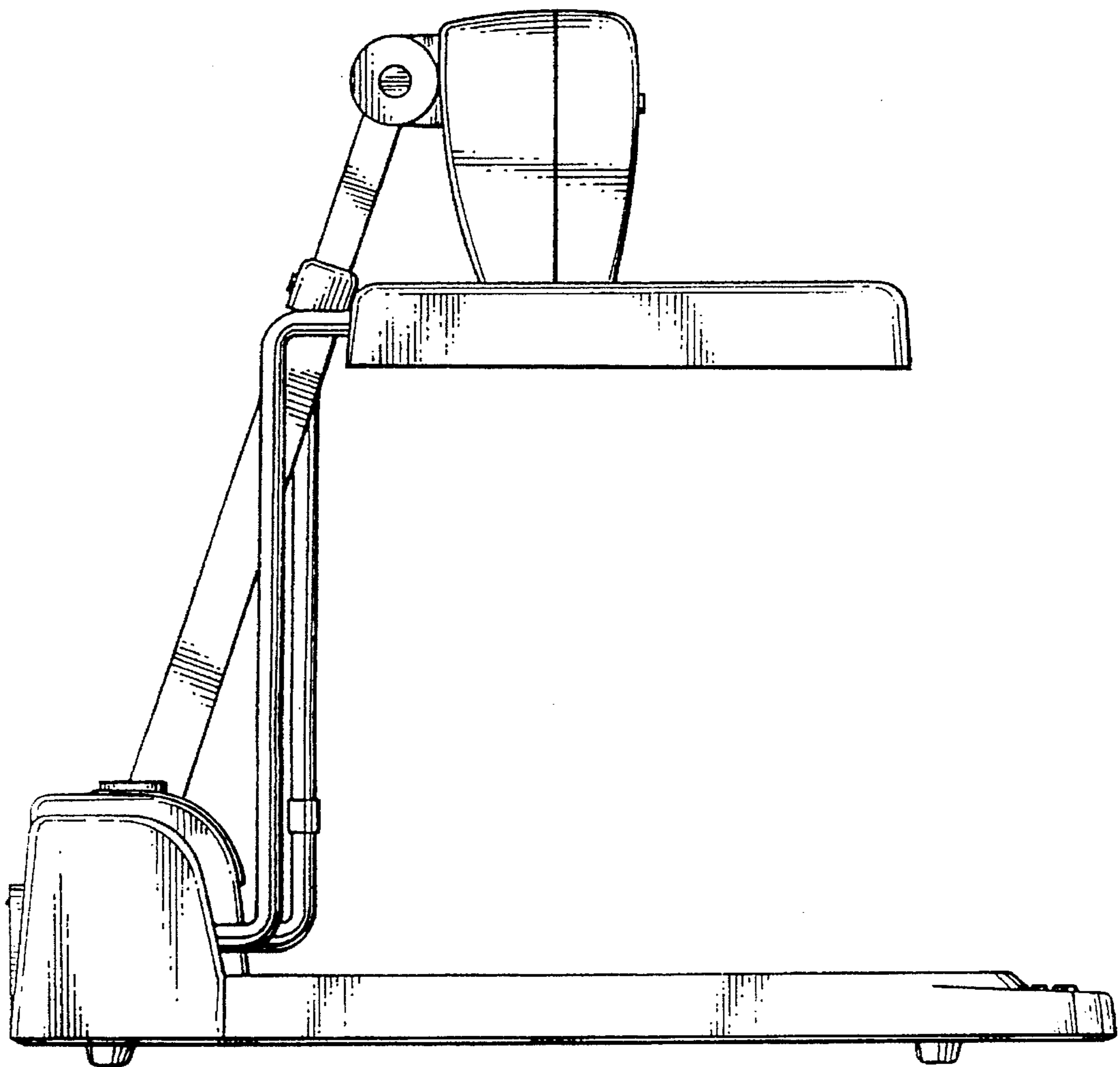
*Fig. 3*



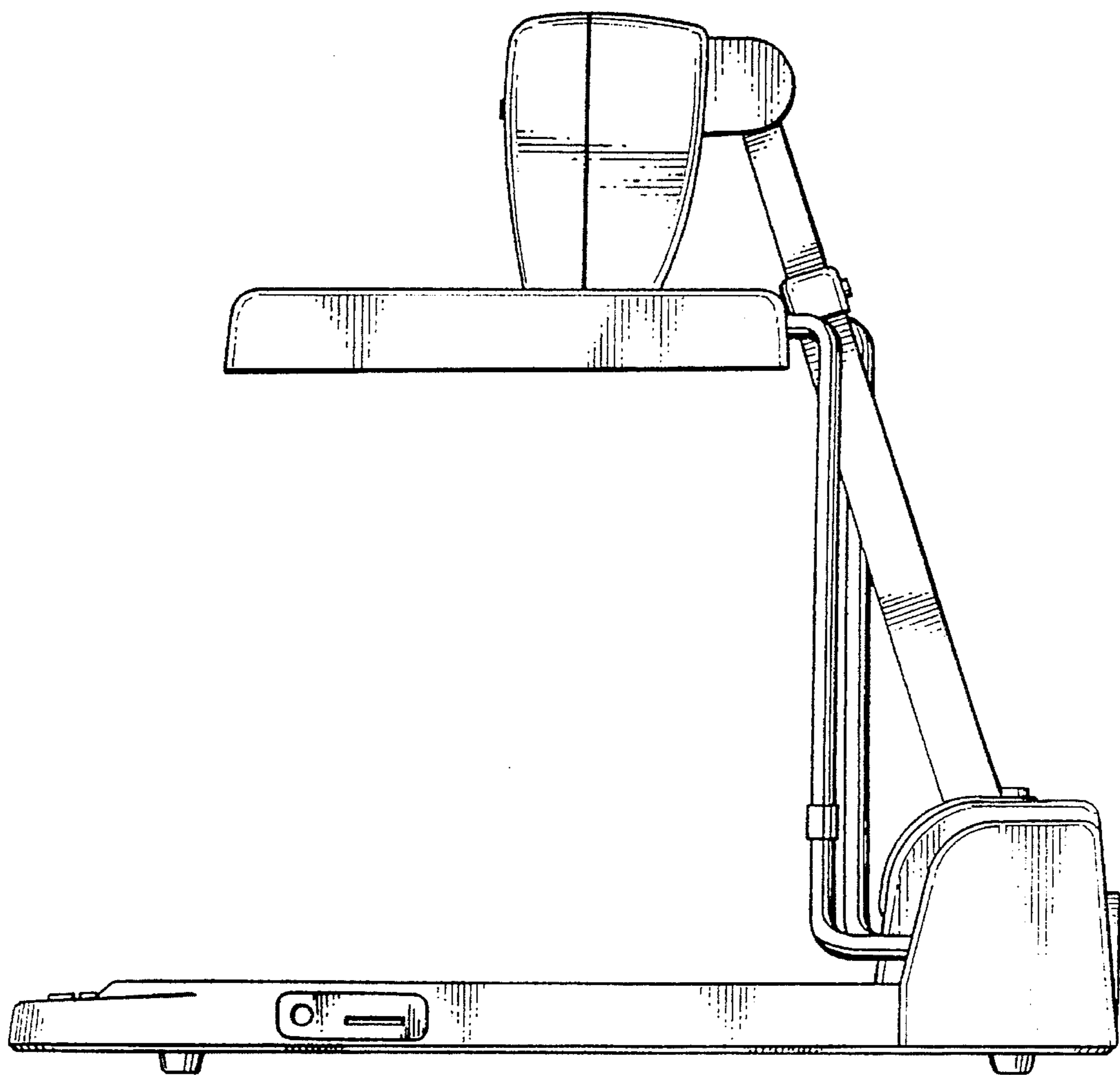
*Fig. 4*



*Fig. 5*



*Fig. 6*



*Fig. 7*

