



US00D364850S

United States Patent [19]

Estrada et al.

[11] Patent Number: **Des. 364,850**

[45] Date of Patent: ****Dec. 5, 1995**

[54] **HAND HELD MAP DISPLAY**

[76] Inventors: **Alejandro Estrada**, 1778 8th Pl., Port Hueneme, Calif. 93041; **Phillip Estrada**, 6704 Ralston St., Ventura, Calif. 93003

[**] Term: **14 Years**

[21] Appl. No.: **26,318**

[22] Filed: **Jul. 25, 1994**

[52] U.S. Cl. **D14/100**; D10/65

[58] Field of Search D14/100, 106, D14/113, 115, 114; D18/1, 2, 7, 11, 12; 235/145 A, 454, 462, 145 R, 472, 156; 341/22, 23; 345/156, 168, 169, 172, 173, 87; 364/708.1, 443, 444, 449, 550, 460; 342/451, 419, 457; 382/59; D10/10, 65, 78; D21/13; 340/713, 990, 995; 343/357, 113; 375/1

[56] **References Cited**

U.S. PATENT DOCUMENTS

D. 309,729	8/1990	Tanabe	D14/100
D. 314,713	2/1991	Ciranny et al.	D10/65
D. 329,470	9/1992	Kaneko	D21/13
D. 334,218	3/1993	Lee	D21/13
D. 334,716	4/1993	Kusaka	D10/78 X
D. 354,948	1/1995	Moodie	D14/100

D. 357,197	4/1995	Suzuki	D10/65
3,979,057	9/1976	Katz et al.	235/156
5,059,970	10/1991	Raubenheimer et al.	342/451
5,140,138	8/1992	Tanaka	D14/100 X
5,159,556	10/1992	Schorter	340/990 X
5,229,947	7/1993	Ross et al.	340/990 X

OTHER PUBLICATIONS

Garmon International, Inc. 1991 *Personal Navigator*.

Primary Examiner—Freda S. Nunn

Attorney, Agent, or Firm—Terry M. Gernstein

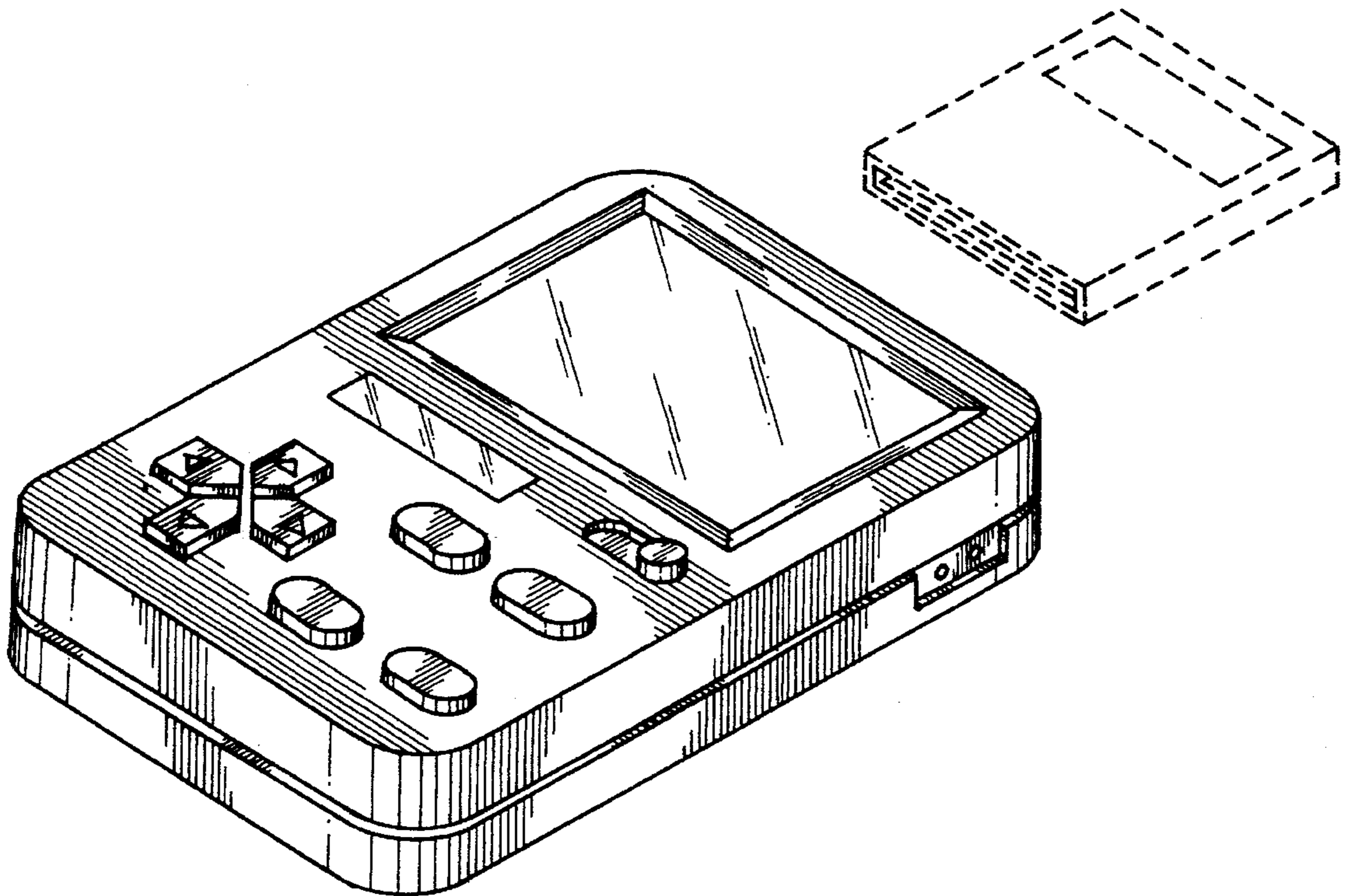
[57] **CLAIM**

The ornamental design for a hand held map display, as shown and described.

DESCRIPTION

FIG. 1 is a reduced exploded perspective view of the hand held map display showing my new design with a cartridge being shown removed and in broken lines for illustrative purposes only and forming no part of the claimed design; FIG. 2 is a front elevational view thereof; FIG. 3 is a rear elevational view thereof; FIG. 4 is a side elevational view thereof; FIG. 5 is a side elevational view thereof; FIG. 6 is a top plan view thereof; and, FIG. 7 is a bottom plan view thereof.

1 Claim, 3 Drawing Sheets



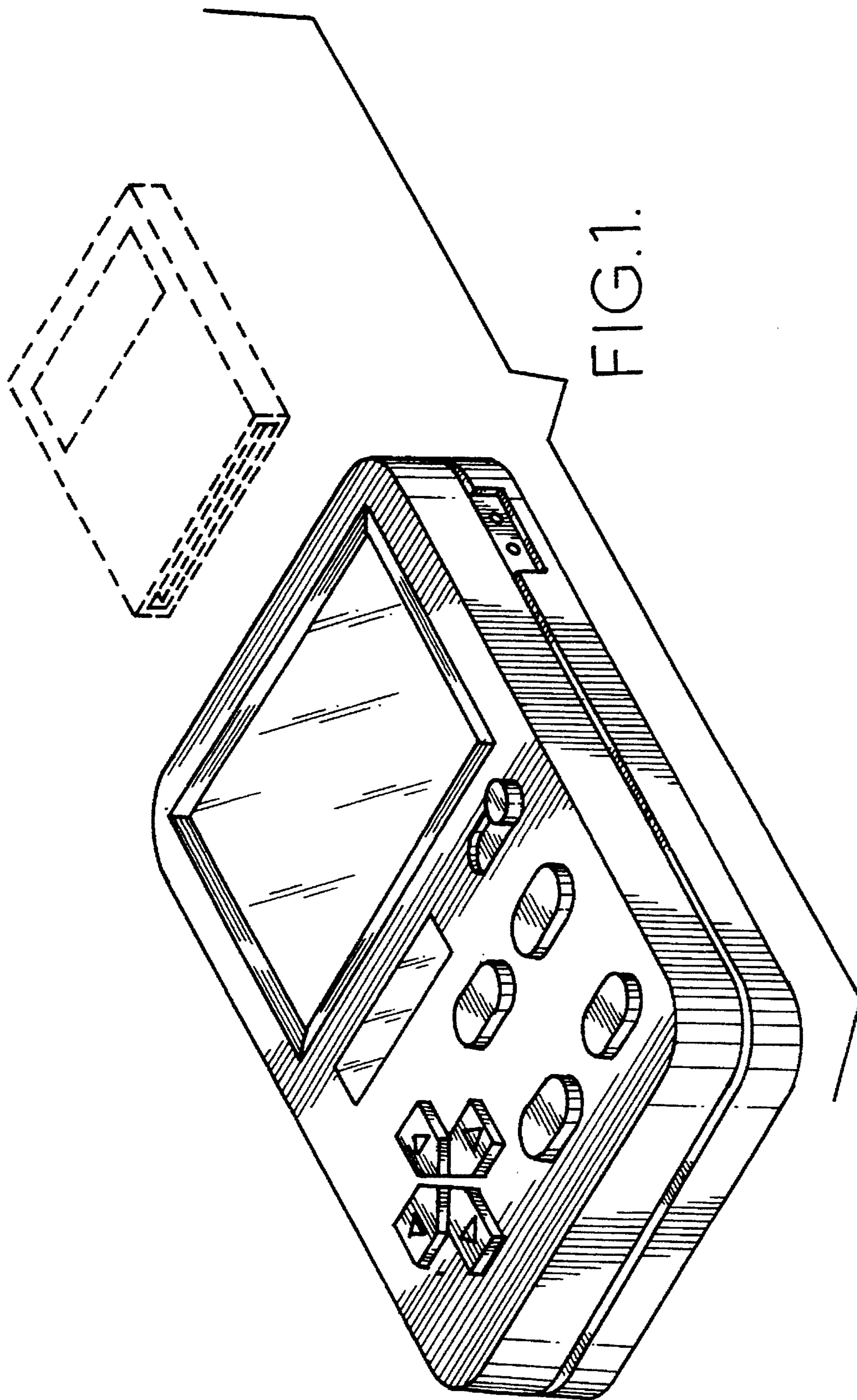


FIG. 2.

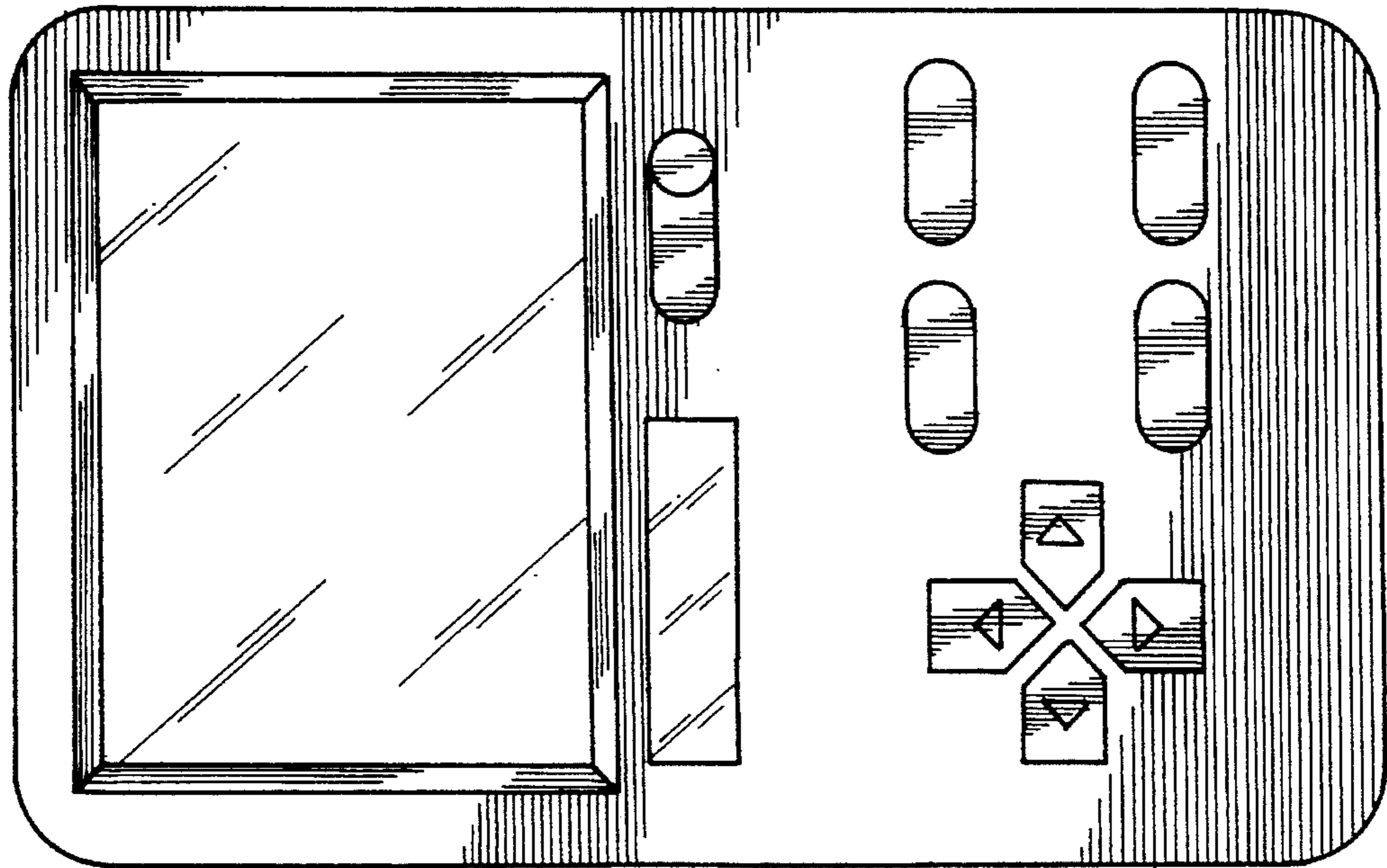


FIG. 4.

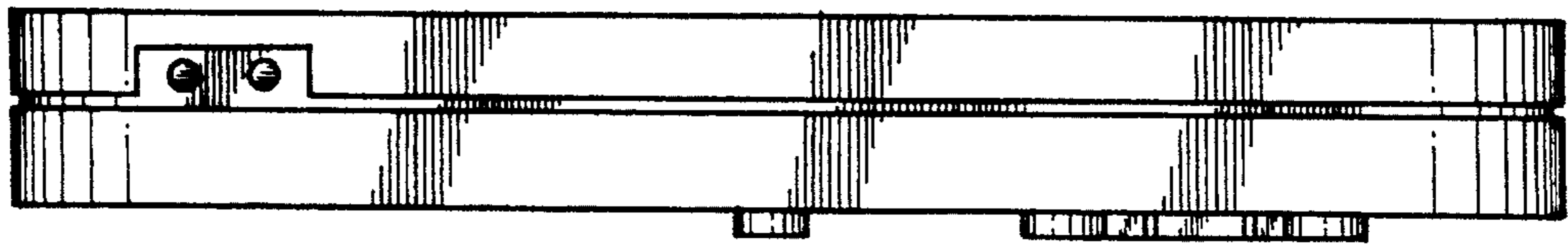


FIG. 7.



FIG. 3.

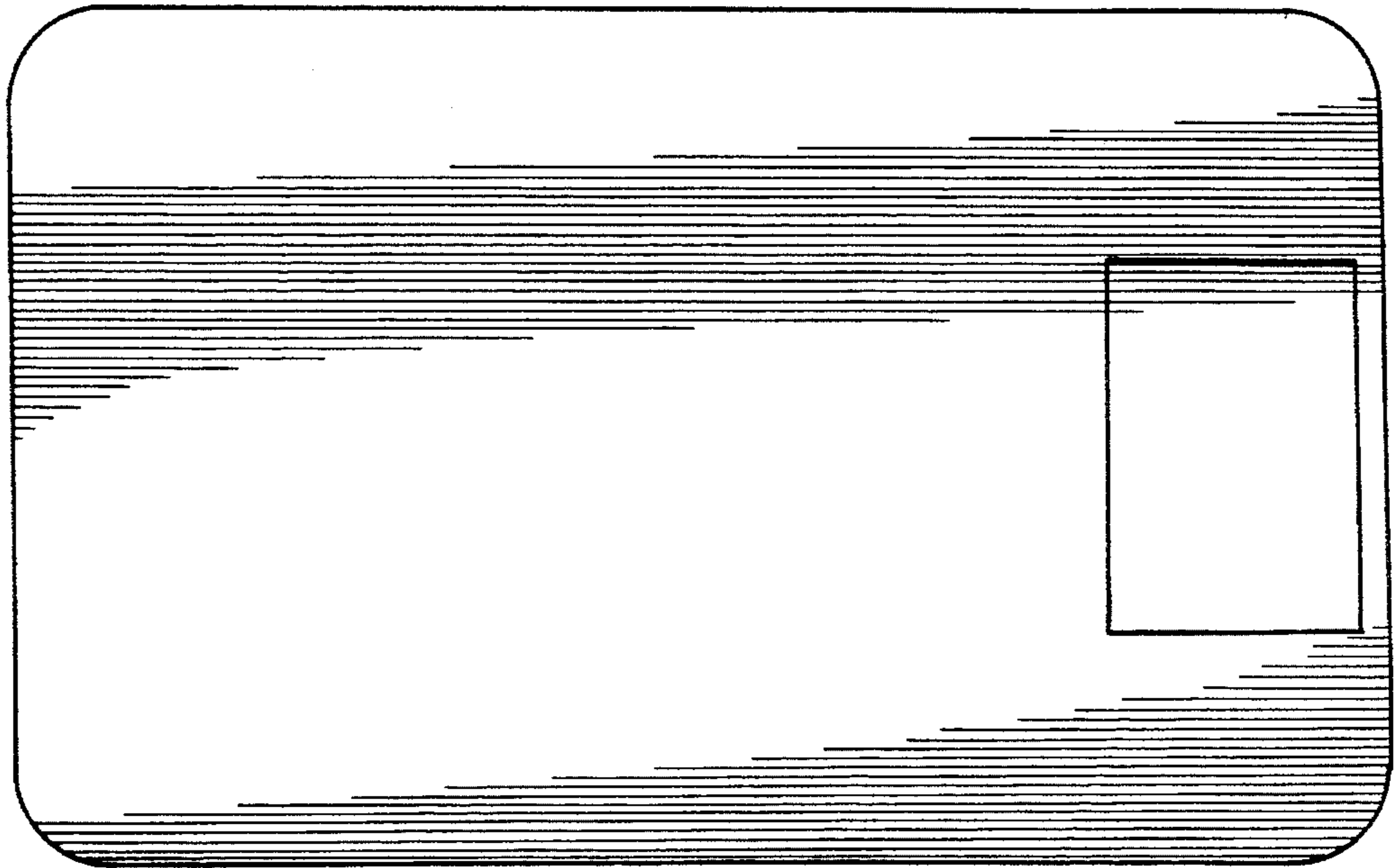


FIG. 5.

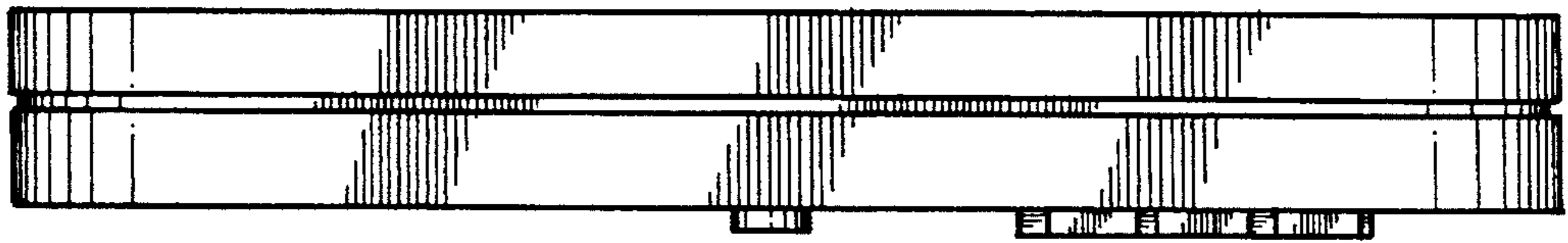


FIG. 6.

