



US00D364849S

United States Patent [19]

[11] Patent Number: Des. 364,849

De Waal

[45] Date of Patent: **Dec. 5, 1995

[54] ELECTRICAL OUTLET BOX COVER

[76] Inventor: **Peter De Waal**, 4013 W. Burbank Blvd., Burbank, Calif. 91505

[**] Term: **14 Years**

[21] Appl. No.: **37,703**

[22] Filed: **Apr. 19, 1995**

Related U.S. Application Data

[62] Division of Ser. No. 20,732, Mar. 30, 1994, Pat. No. Des. 361,059.

[52] U.S. Cl. **D13/177; D8/353**

[58] Field of Search D13/177, 173, D13/158; 439/519, 528, 536; 200/304, 333, 334, 43.01, 43.11, 43.22, 43.21, 43.16; 220/3.4, 3.8, 241-242, 335, 337; 174/66, 67; D8/14, 353

[56] References Cited

U.S. PATENT DOCUMENTS

D. 310,476	9/1990	Greuell	D8/353
D. 349,836	8/1994	Maggard	d8/14
3,811,004	5/1974	Moore	174/67
4,660,912	4/1987	Tomek	174/67
5,003,128	3/1991	Groudin	174/67

Primary Examiner—A. Hugo Word
Assistant Examiner—Robin V. Taylor

[57] CLAIM

The ornamental design for an electrical outlet box cover, as shown and described.

DESCRIPTION

FIG. 1 is a front perspective view of an electrical outlet box

cover showing my new design;

FIG. 2 is a front view thereof;

FIG. 3 is a rear view thereof;

FIG. 4 is a top view thereof;

FIG. 5 is a side view thereof, the other side being a mirror image;

FIG. 6 is a bottom view thereof;

FIG. 7 is a front perspective view thereof, with the draw flap and cover, extended;

FIG. 8 is a front perspective view of a second embodiment thereof;

FIG. 9 is a front view thereof;

FIG. 10 is a rear view thereof;

FIG. 11 is a top view thereof;

FIG. 12 is a side view thereof, the other side being a mirror image;

FIG. 13 is a bottom view thereof;

FIG. 14 is a front perspective view thereof, with the draw flap and cover extended;

FIG. 15 is a front perspective view of a third embodiment;

FIG. 16 is a front view thereof;

FIG. 17 is a rear view thereof;

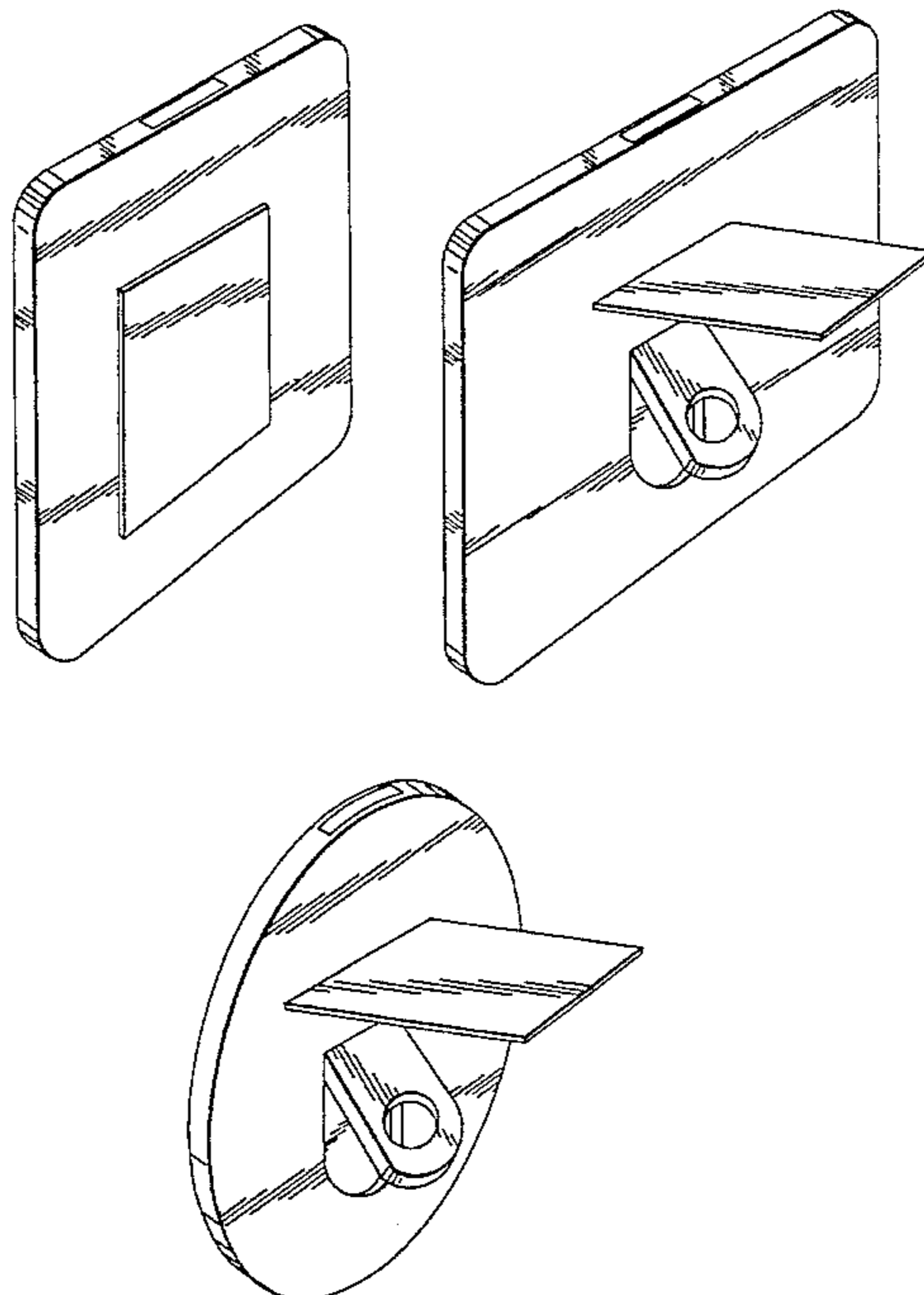
FIG. 18 is a top view thereof;

FIG. 19 is a side view thereof, the other side being a mirror image;

FIG. 20 is a bottom view thereof; and,

FIG. 21 is a front perspective view thereof, with the draw flap and cover extended.

1 Claim, 3 Drawing Sheets



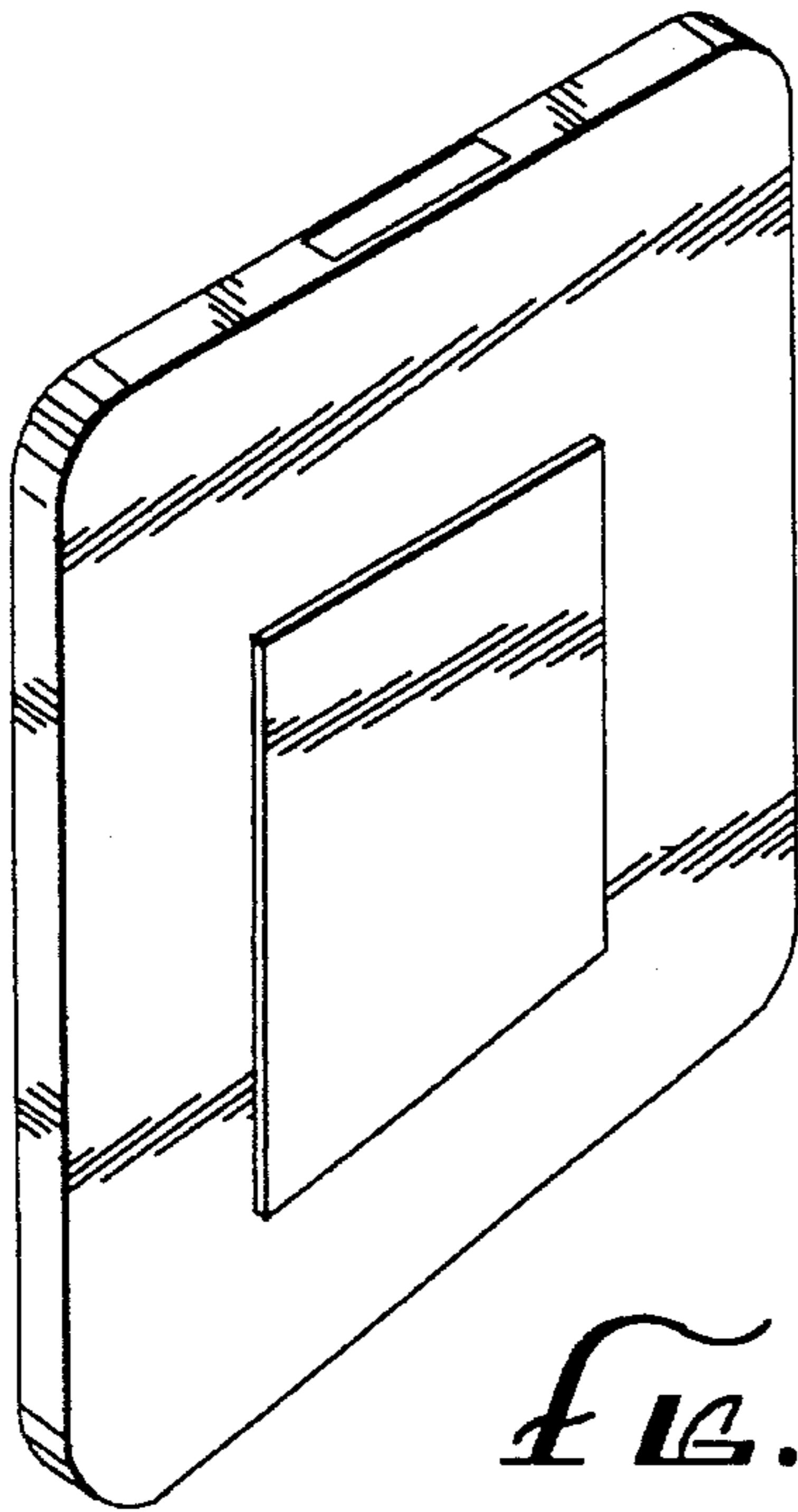


FIG. 1

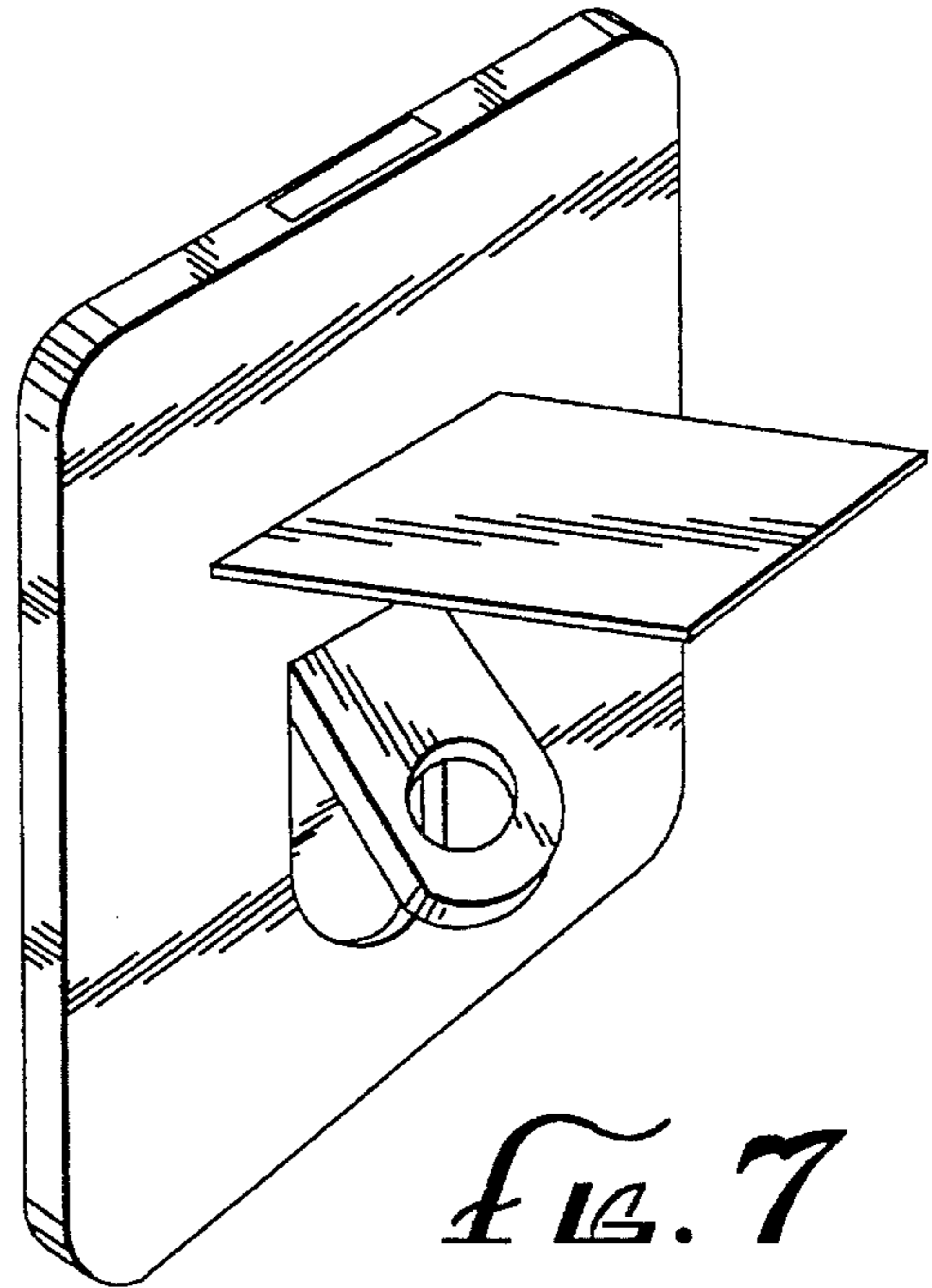


FIG. 7

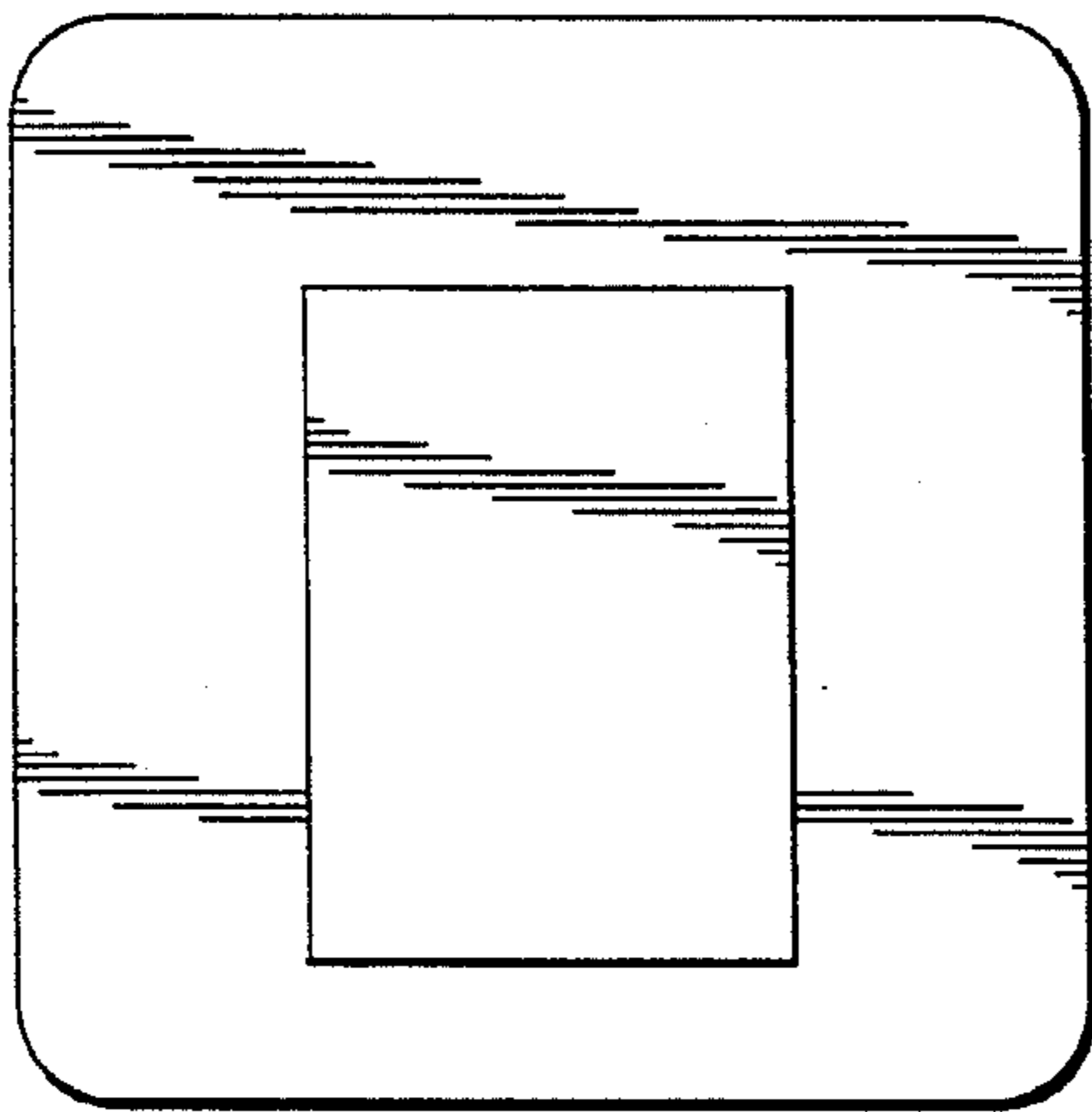


FIG. 2



FIG. 5

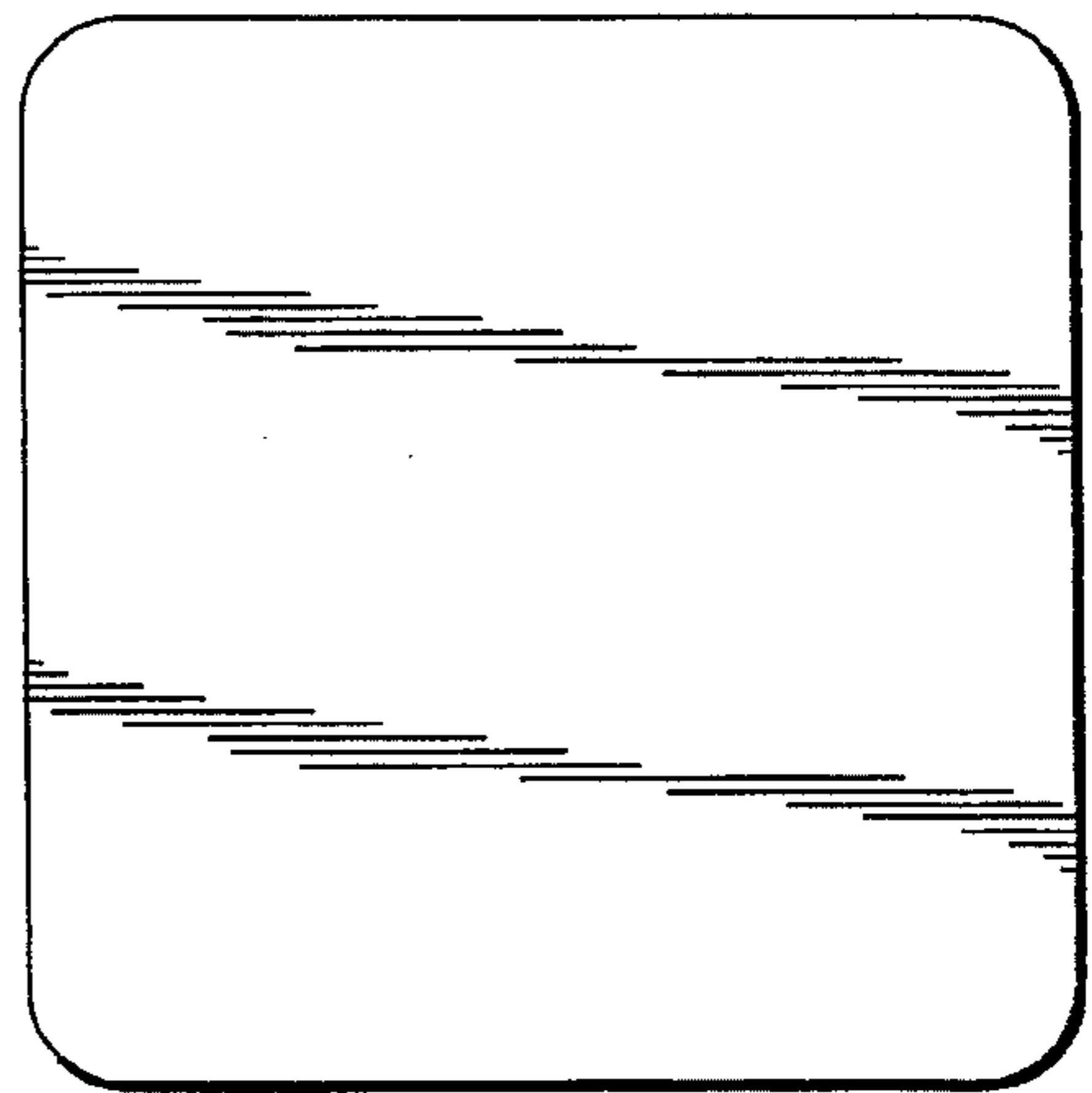


FIG. 3

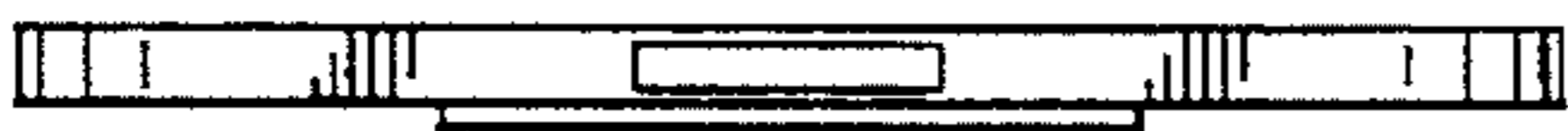


FIG. 4



FIG. 6

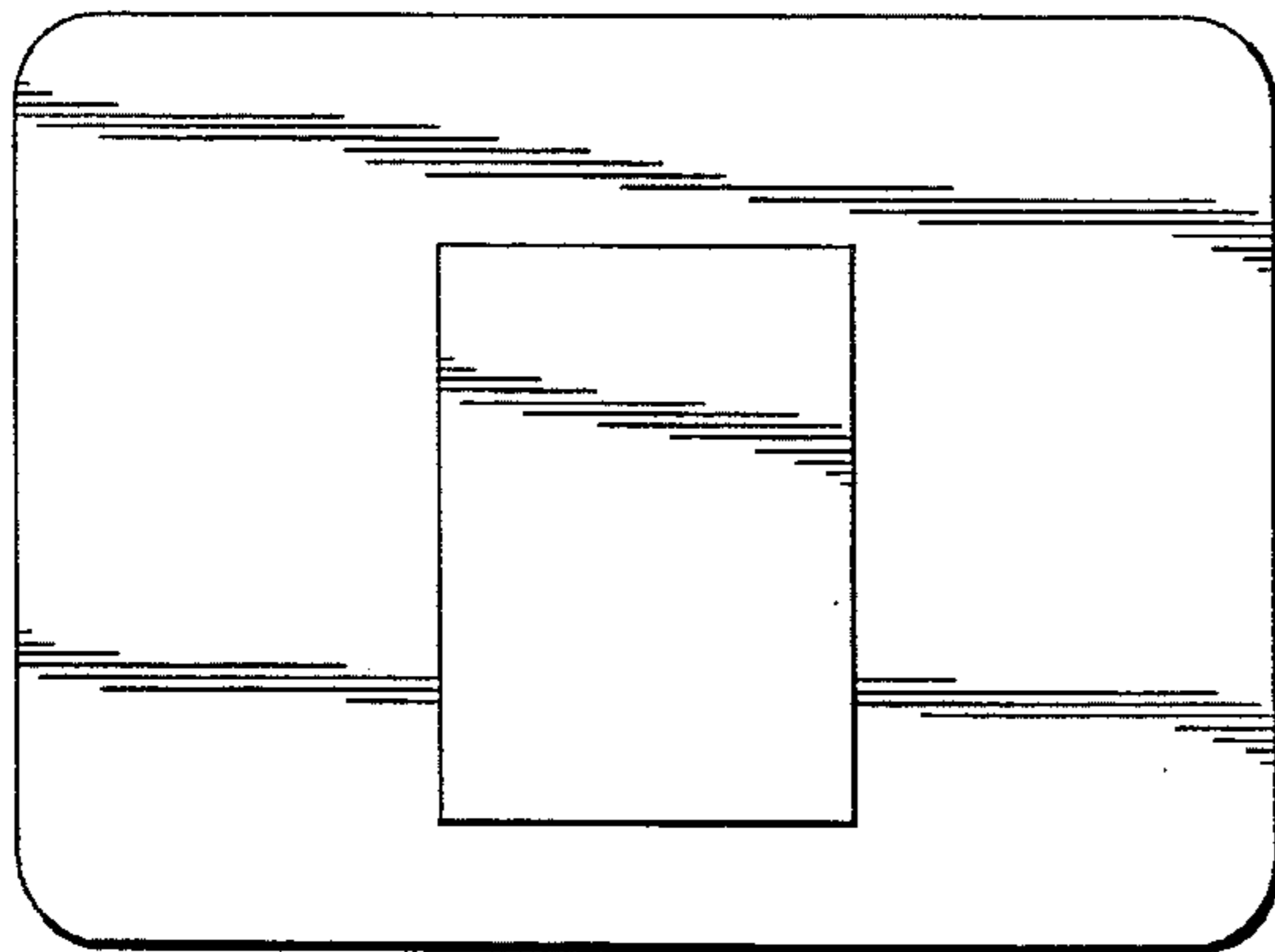
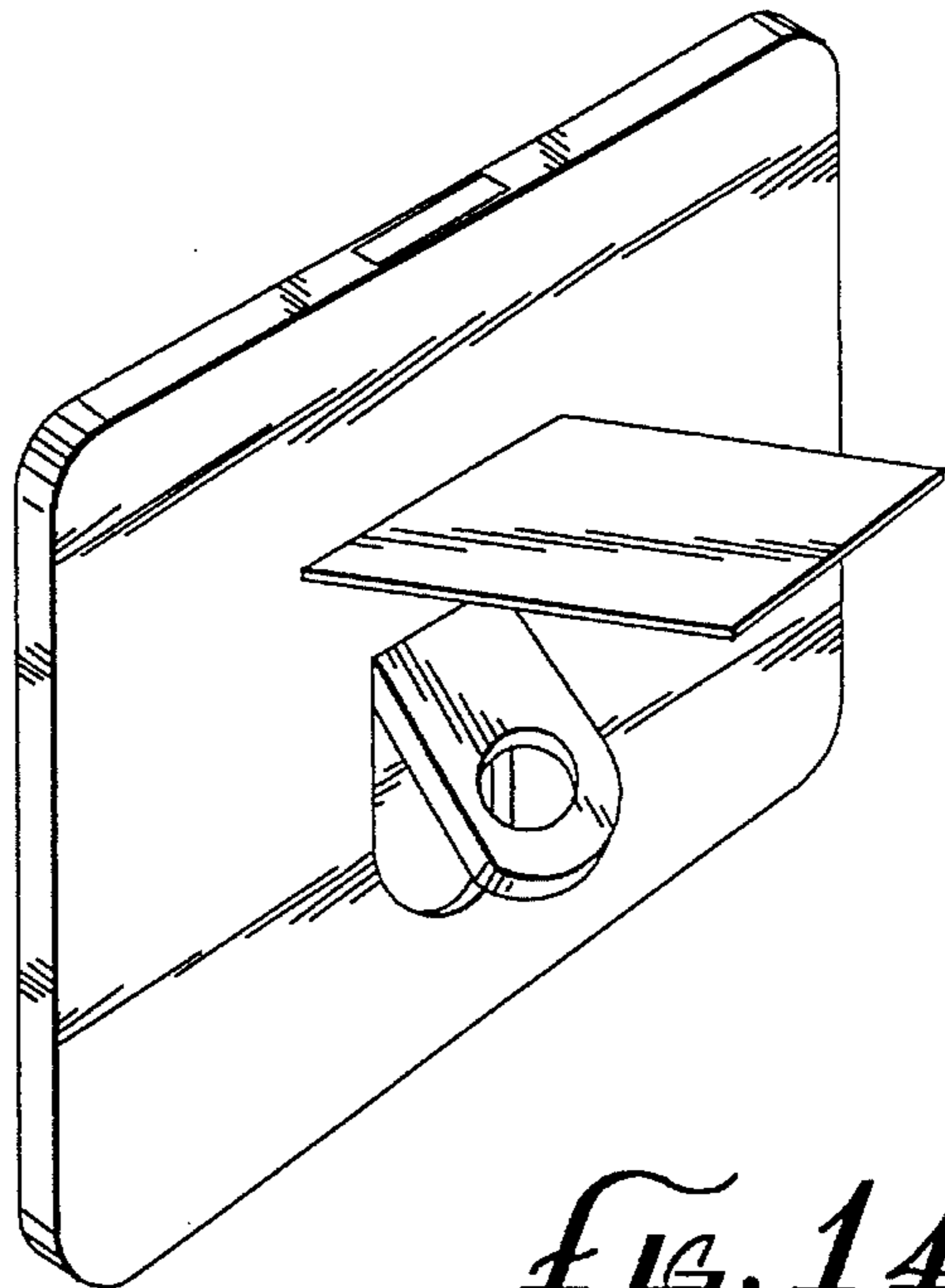
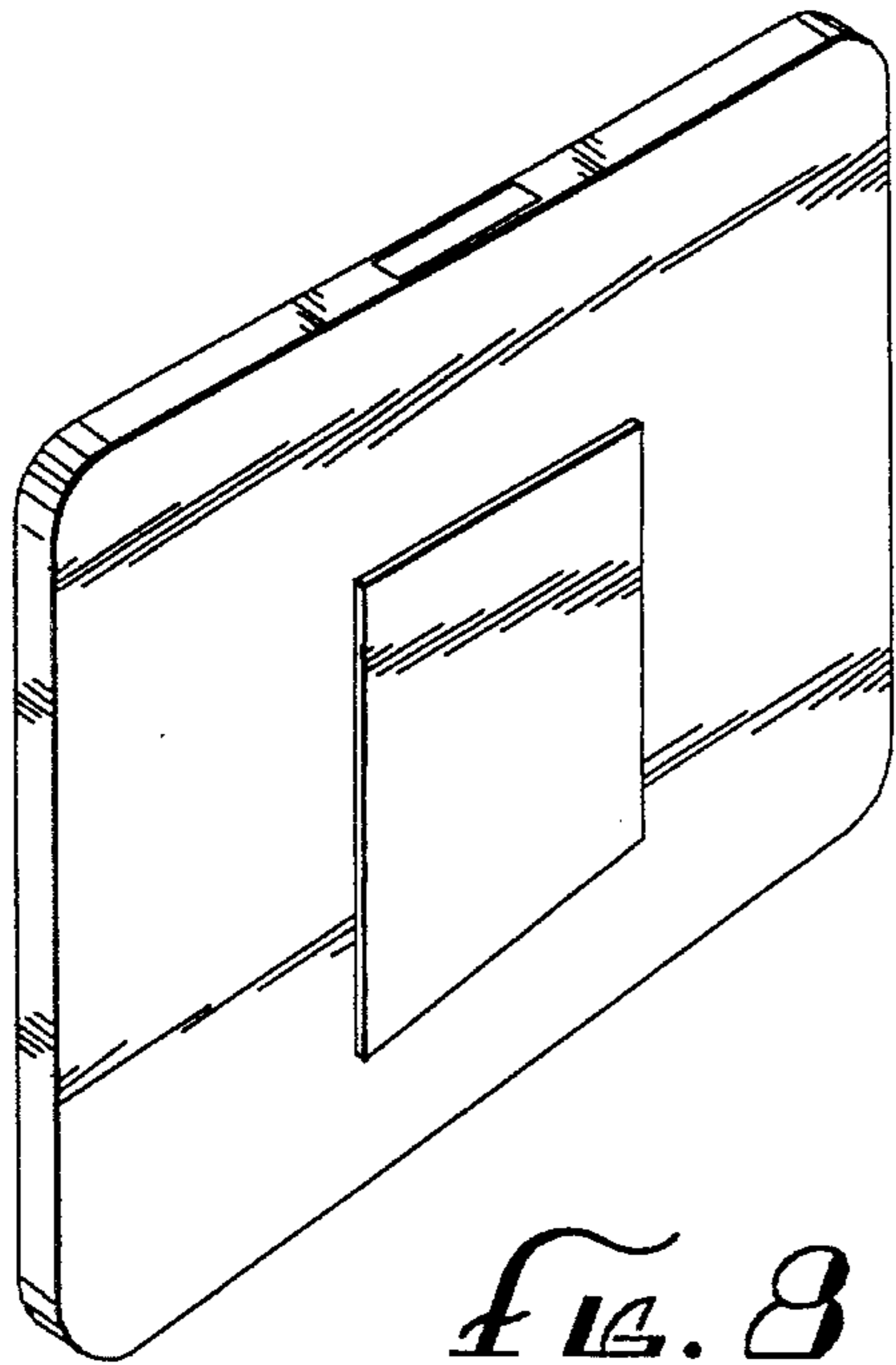


Fig. 9

Fig. 12

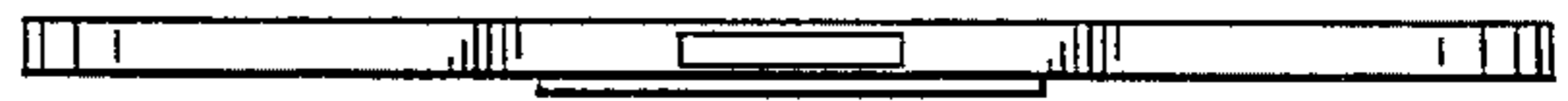
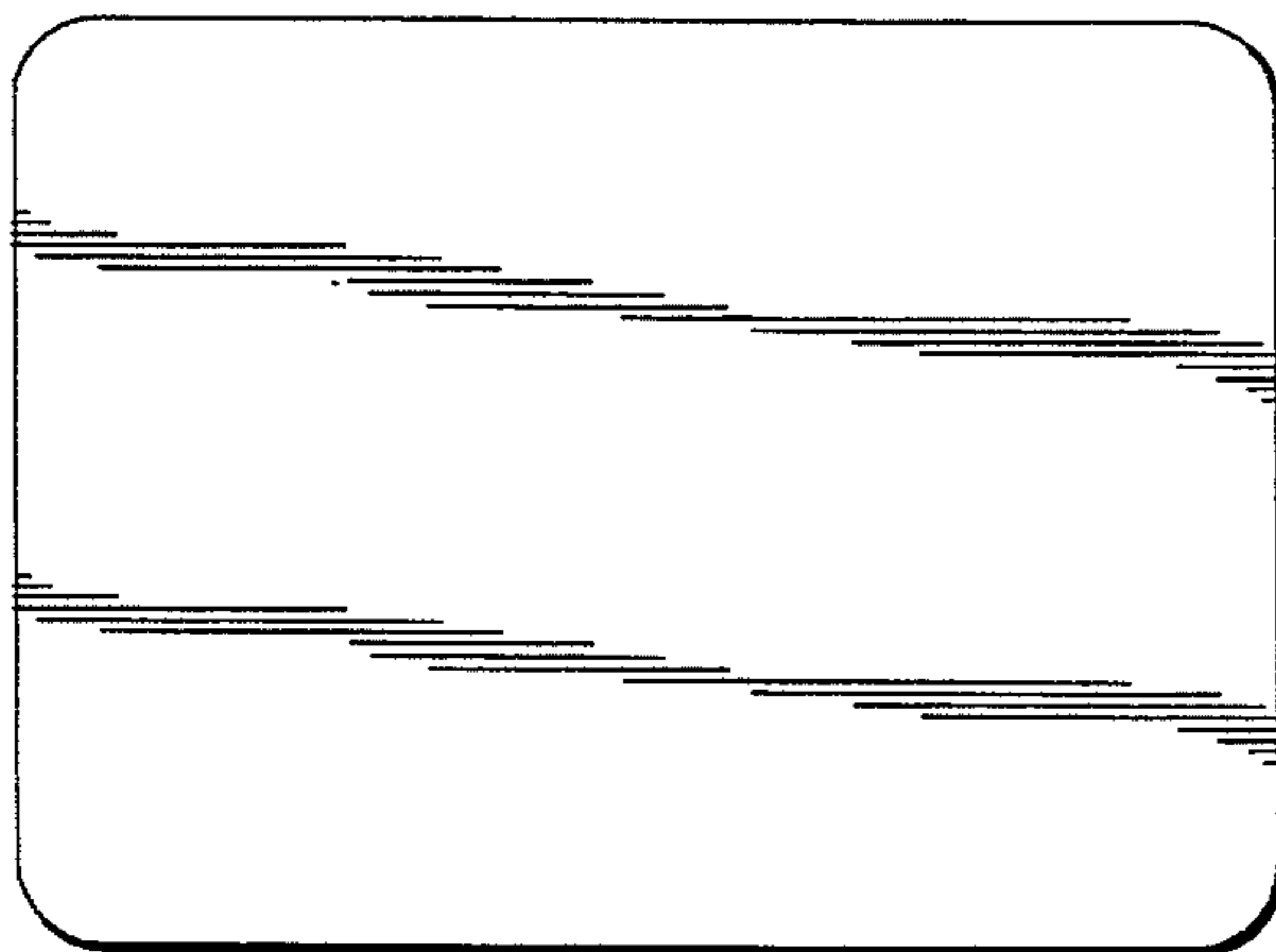


Fig. 11



Fig. 10

Fig. 13

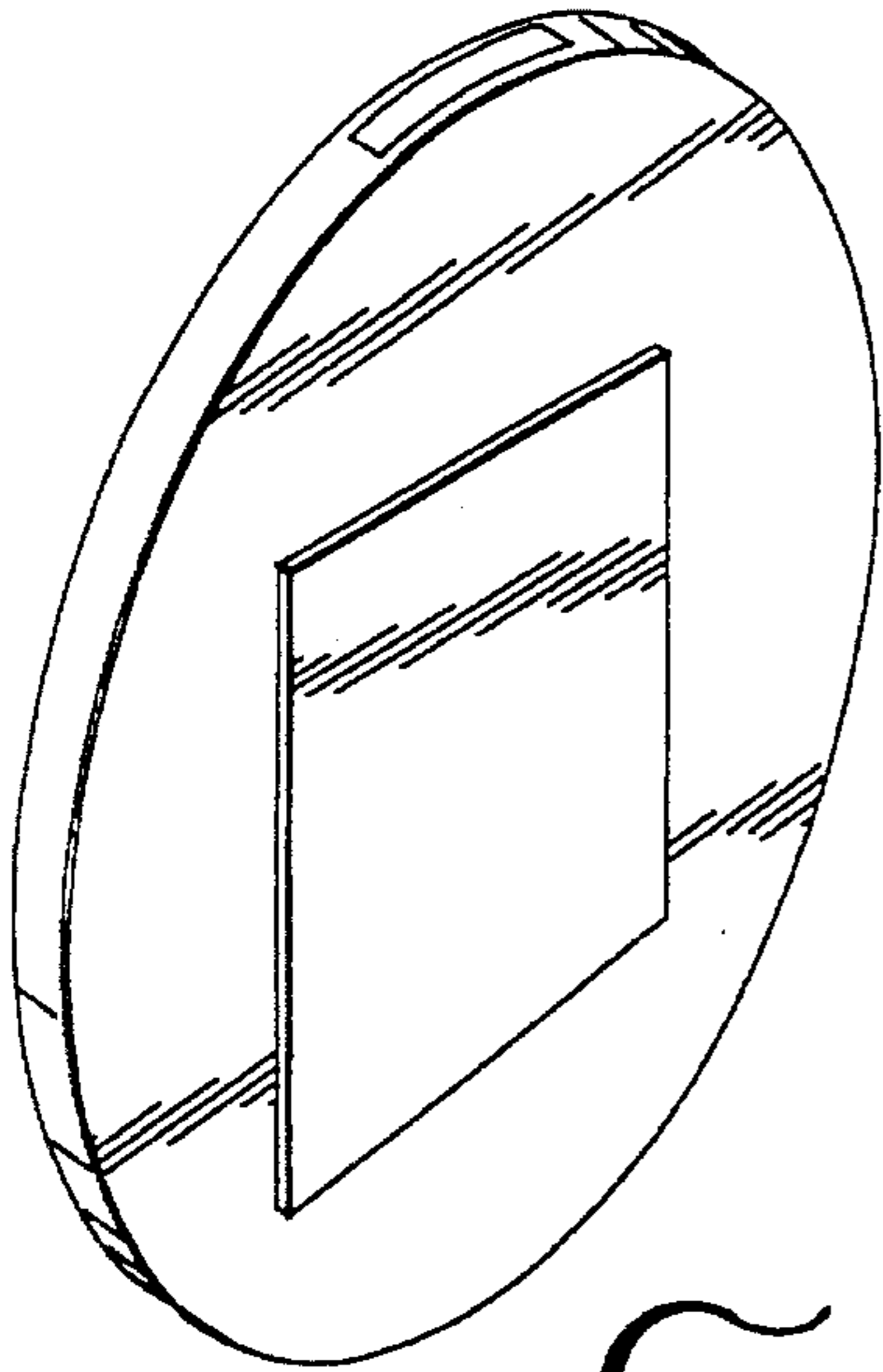


FIG. 15

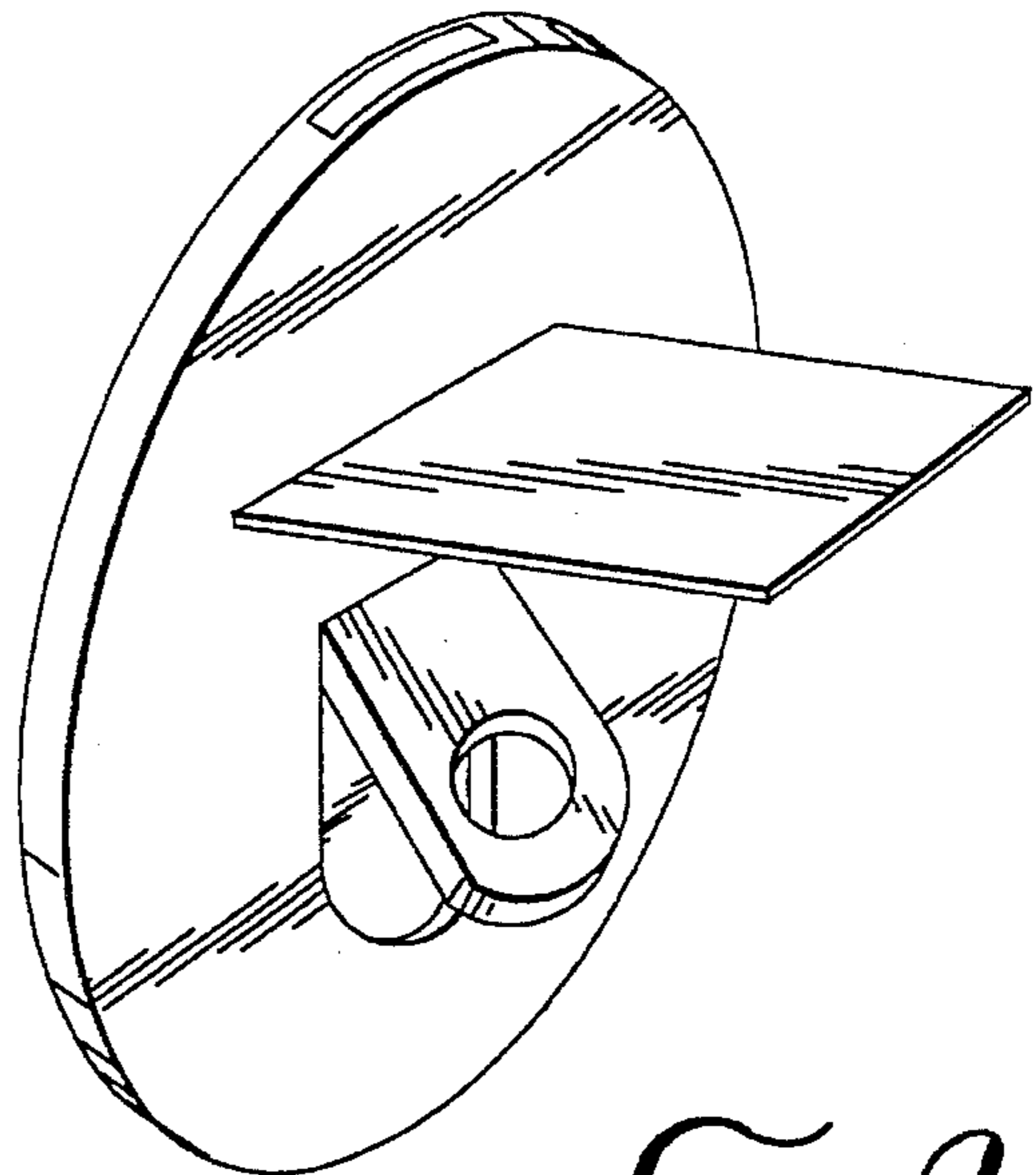


FIG. 21

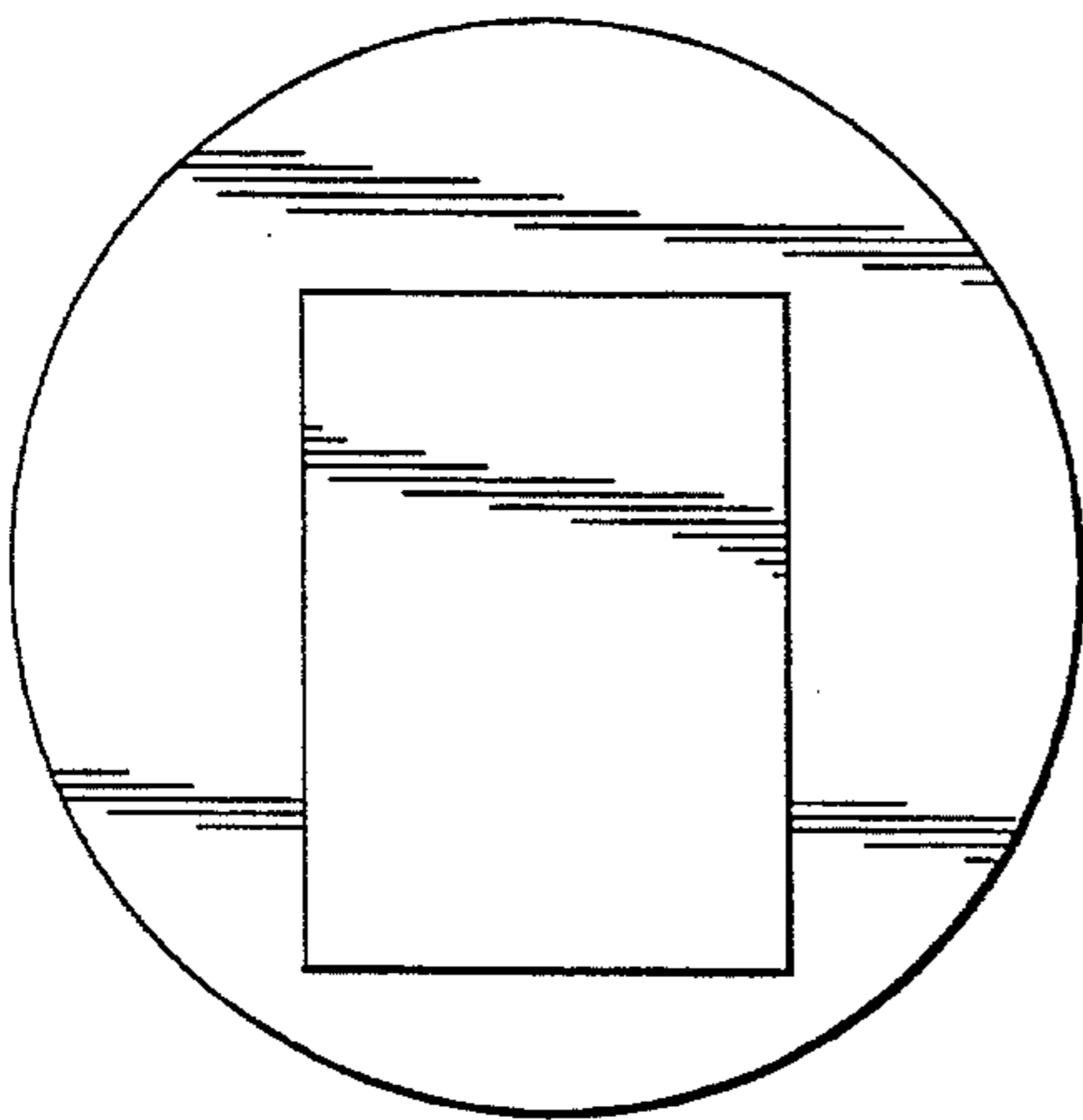


FIG. 16



FIG. 19

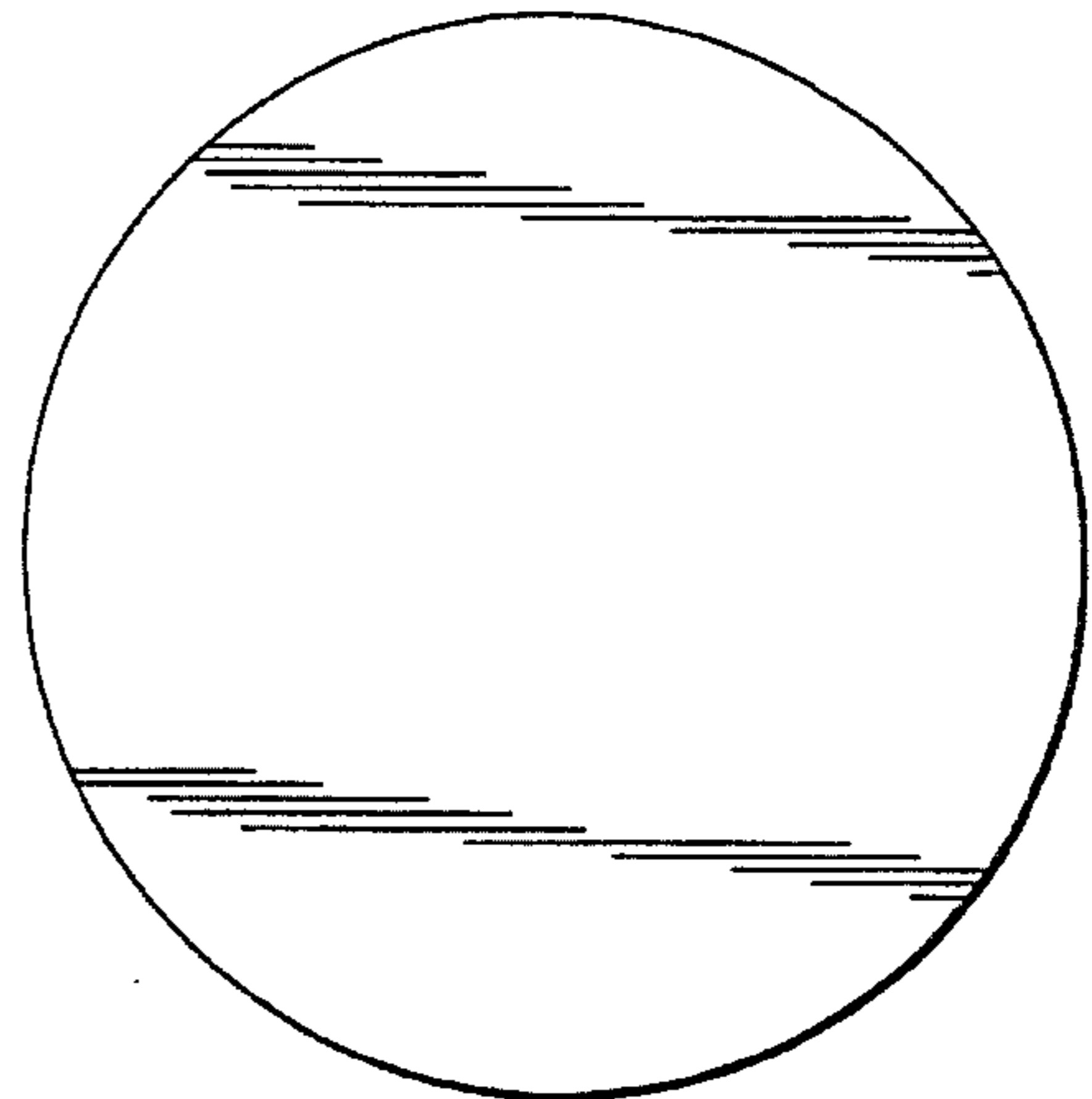


FIG. 17



FIG. 18



FIG. 20