



US00D364848S

**United States Patent** [19]  
**Miyanishi**

[11] **Patent Number:** **Des. 364,848**  
[45] **Date of Patent:** **\*\*Dec. 5, 1995**

[54] **FUSE HOLDER**  
[75] **Inventor:** **Syoji Miyanishi**, Tokyo, Japan  
[73] **Assignee:** **SMK Corporation**, Tokyo, Japan  
[\*\*] **Term:** **14 Years**  
[21] **Appl. No.:** **16,475**  
[22] **Filed:** **Dec. 19, 1993**  
[52] **U.S. Cl.** ..... **D13/161**  
[58] **Field of Search** ..... **D13/160, 161,**  
**D13/178; 439/321, 621, 622, 698; 337/213**

4,762,510 8/1988 Schaefer ..... 439/621  
4,981,448 1/1991 Herbert ..... 439/622  
5,072,458 1/1992 Poerschke ..... 439/621

*Primary Examiner*—Joel Sincavage  
*Attorney, Agent, or Firm*—Christopher R. Pastel; Thomas R. Morrison

[57] **CLAIM**

The ornamental design for a fuse holder, as shown and described.

**DESCRIPTION**

FIG. 1 is a front view showing my new design;  
FIG. 2 is a side view, the opposite side being a mirror image;  
FIG. 3 is a back view;  
FIG. 4 is a top view;  
FIG. 5 is a bottom view;  
FIG. 6 is a cross sectional view thereof, taken along 6—6 of FIG. 1; and,  
FIG. 7 is a fragmental perspective view.

**1 Claim, 3 Drawing Sheets**

[56] **References Cited**

**U.S. PATENT DOCUMENTS**

4,329,006	5/1982	Gale	.....	337/213	X
4,448,476	5/1984	Perlman	.....	337/123	X
4,477,139	12/1984	Urani	.....	439/621	X
4,486,067	12/1984	Wallner et al.	.....	439/621	
4,504,815	3/1985	Harwath	.....	337/213	X
4,762,509	8/1988	Schaefer	.....	439/621	

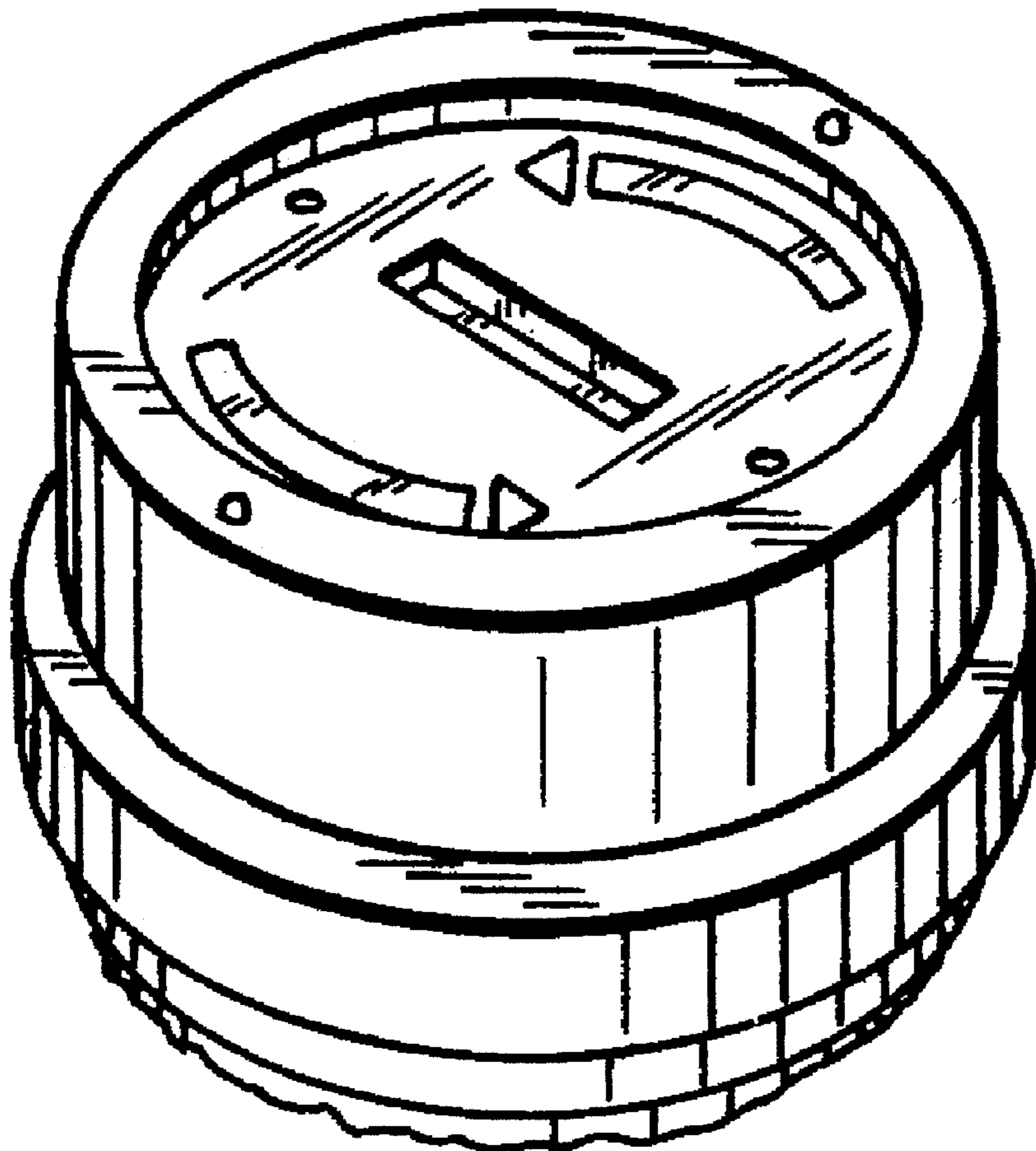


FIG. 1

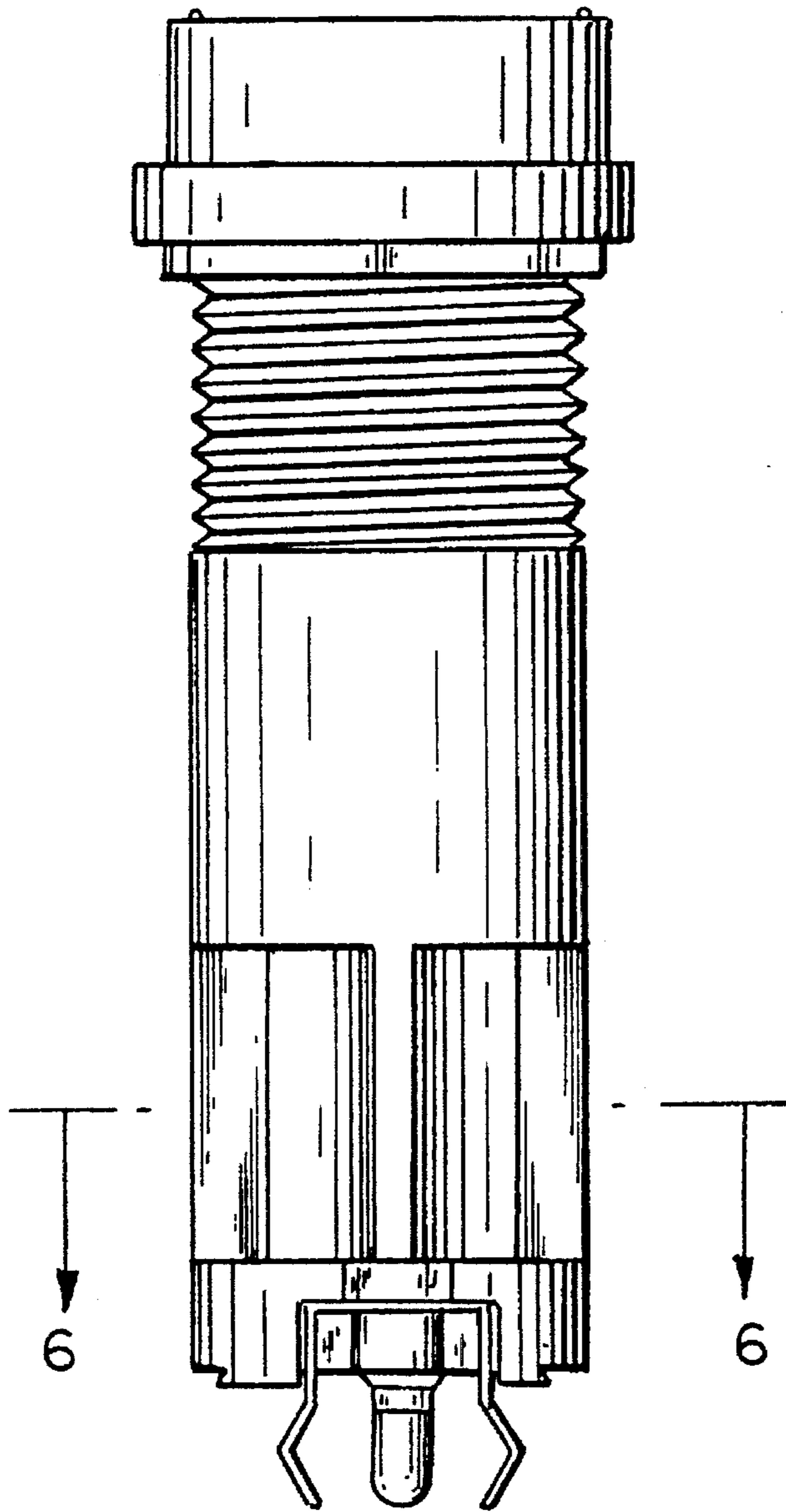


FIG. 4

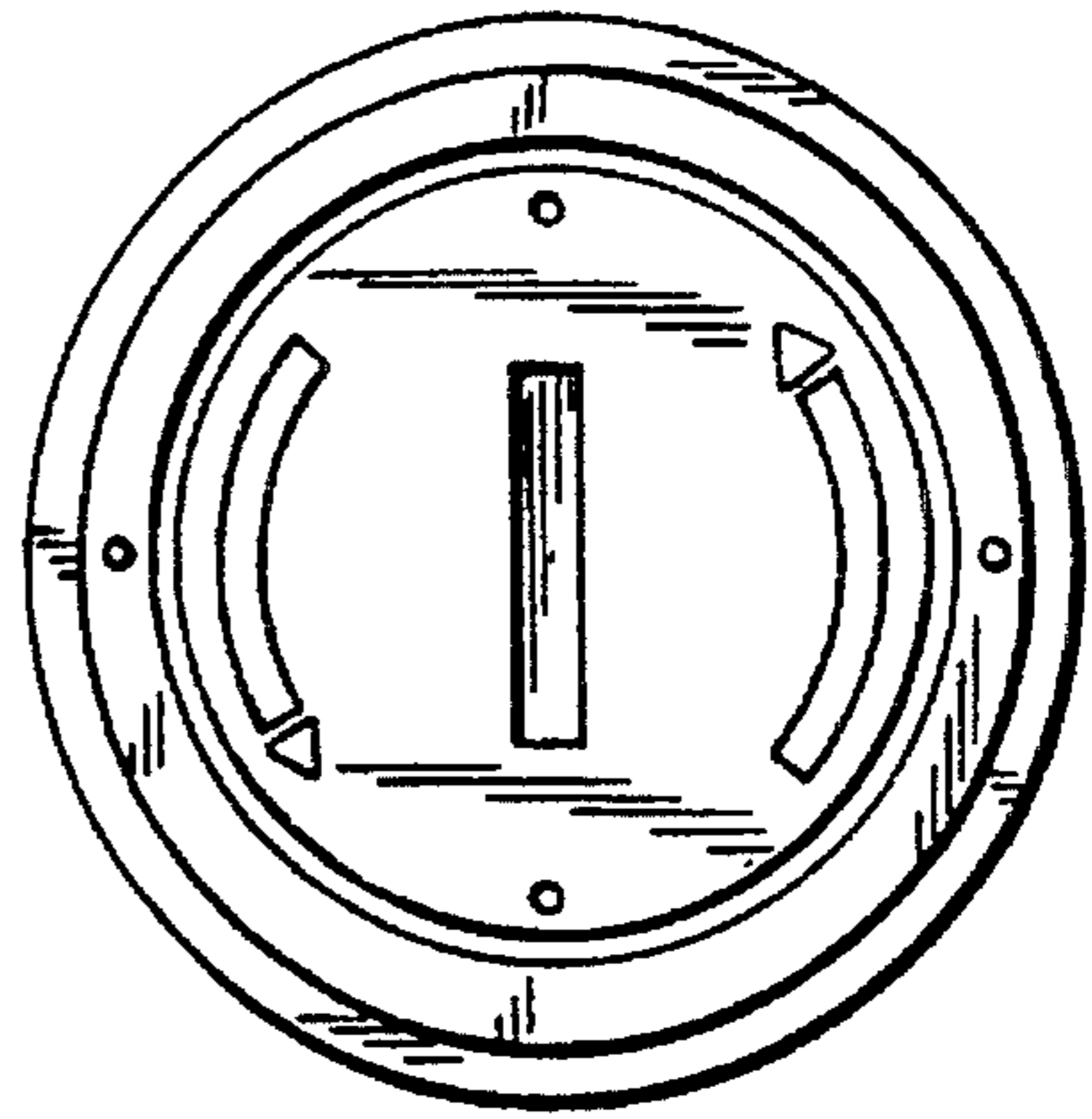


FIG. 5

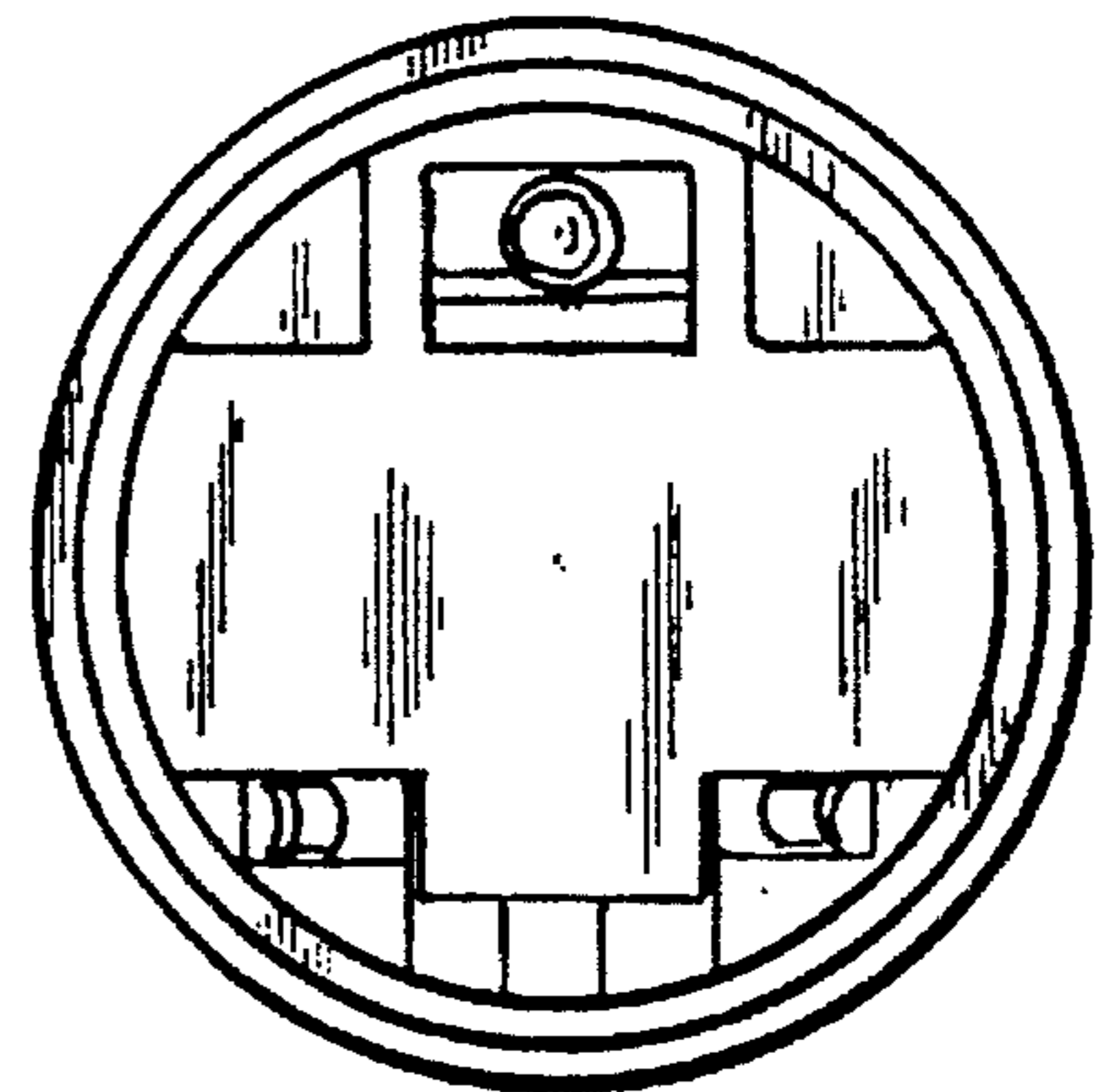


FIG. 6

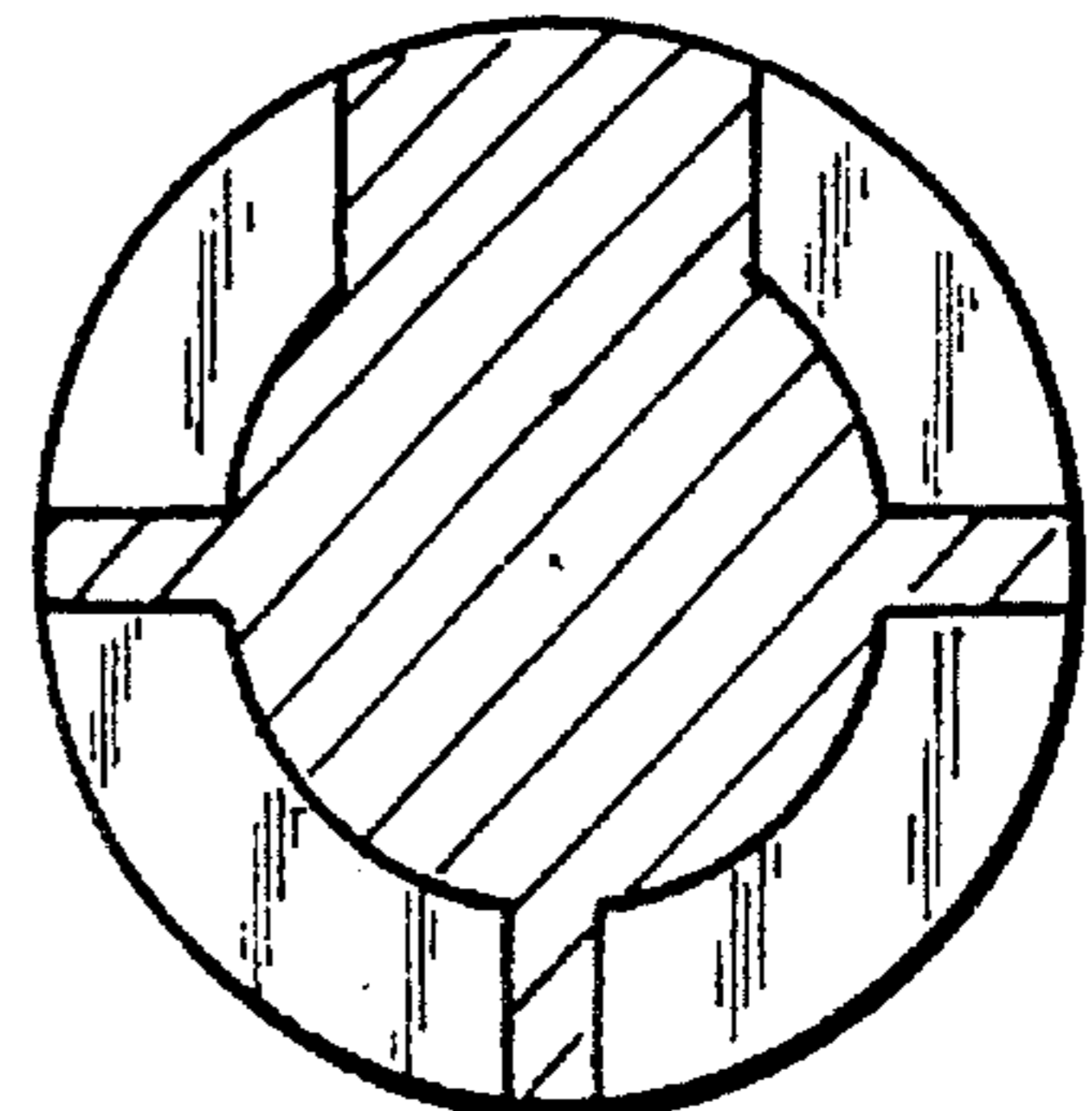


FIG. 2

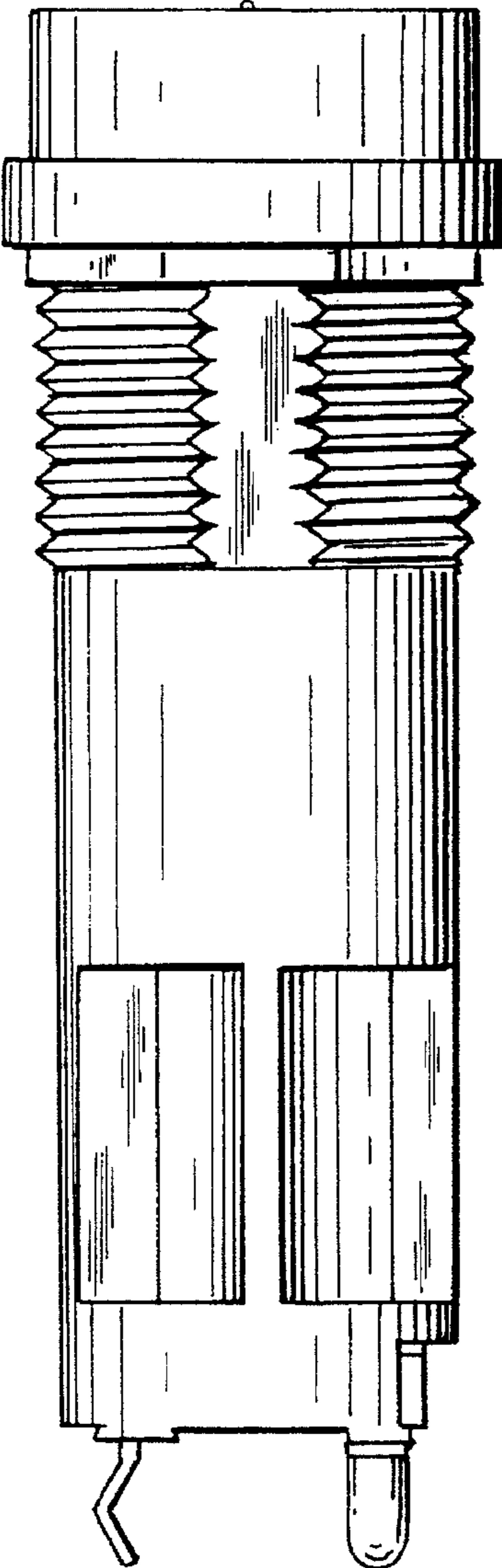


FIG. 3

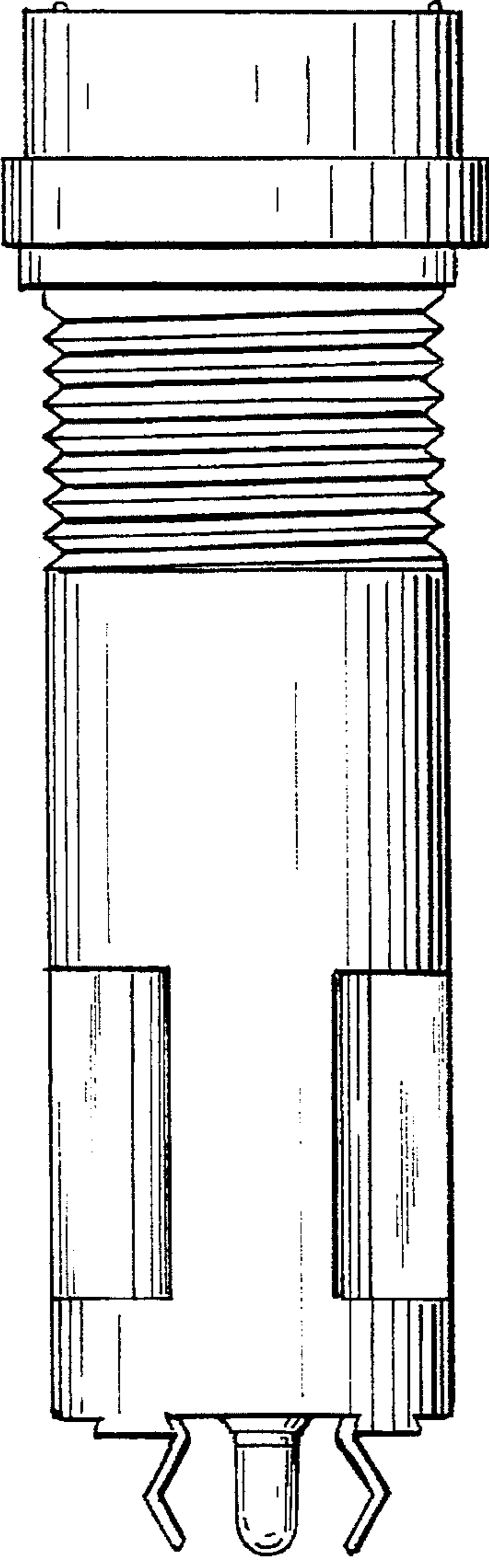


FIG. 7

