



US00D364846S

United States Patent [19]
Kelsey et al.

[11] **Patent Number: Des. 364,846**
[45] **Date of Patent: **Dec. 5, 1995**

[54] **CAR COVER**

[76] Inventors: **Richard E. Kelsey; Alona A. Kelsey,**
both of Rt. 2 Box 2604, Roosevelt,
Utah 84066

[**] Term: **14 Years**

[21] Appl. No.: **31,549**

[22] Filed: **Nov. 21, 1994**

[52] U.S. Cl. **D12/401**

[58] **Field of Search** D12/401; 296/98,
296/99.1, 100, 136; 150/154, 166; 160/370.21

[56] **References Cited**

U.S. PATENT DOCUMENTS

1,719,055	7/1929	Herzer	150/166 X
4,531,560	7/1985	Balanky .	
4,589,459	5/1986	Lantrip .	
4,773,456	9/1988	Rodgers	296/136 X
4,938,522	7/1990	Herron et al. .	

FOREIGN PATENT DOCUMENTS

3237863	4/1984	Germany	296/136
WO9215467	9/1992	WIPO	296/136

Primary Examiner—A. Hugo Word
Assistant Examiner—Lavone D. Tabor
Attorney, Agent, or Firm—Dennis H. Lambert

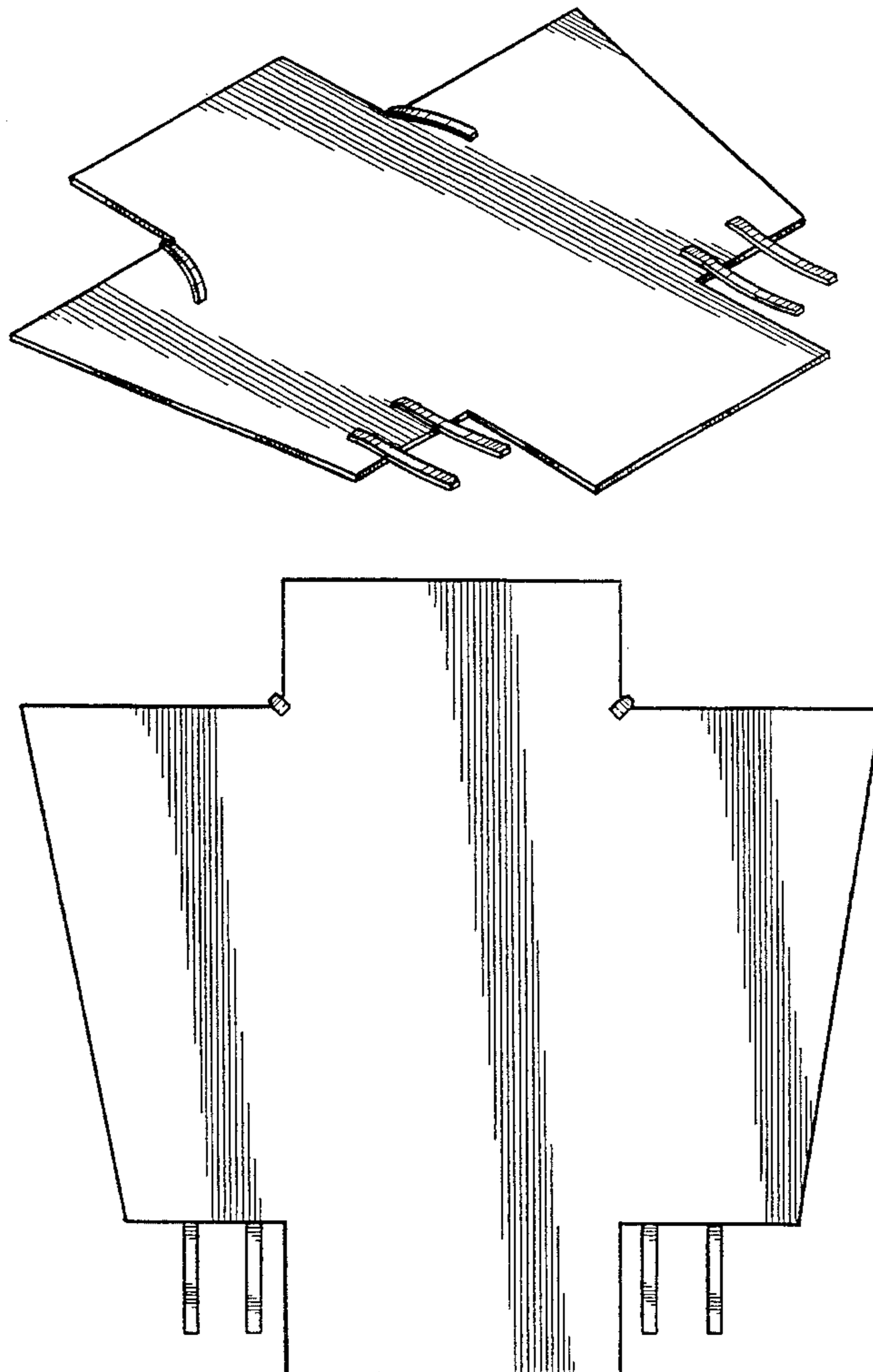
[57] **CLAIM**

The ornamental design for a car cover, as shown and described.

DESCRIPTION

FIG. 1 is a front, top and side perspective view of the car cover embodying the design of the present invention;
FIG. 2 is an end elevational view thereof, looking from the bottom of FIG. 5;
FIG. 3 is a end elevational view thereof, looking from the top of FIG. 6;
FIG. 4 is a side elevational view thereof, looking from the right in FIG. 5;
FIG. 5 is a top plan view thereof; and,
FIG. 6 is a bottom plan view thereof.

1 Claim, 3 Drawing Sheets



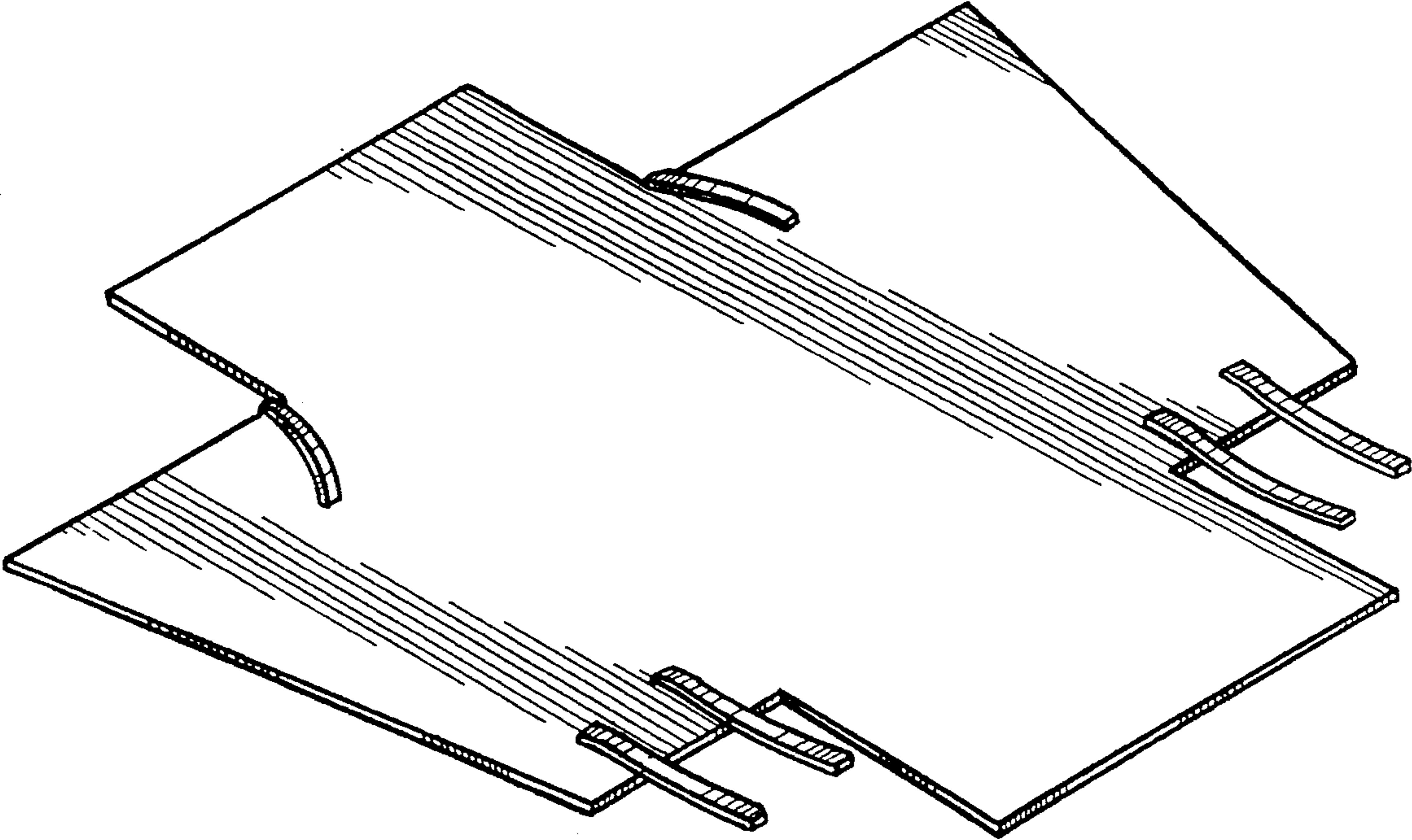


FIG.1.

FIG. 4.

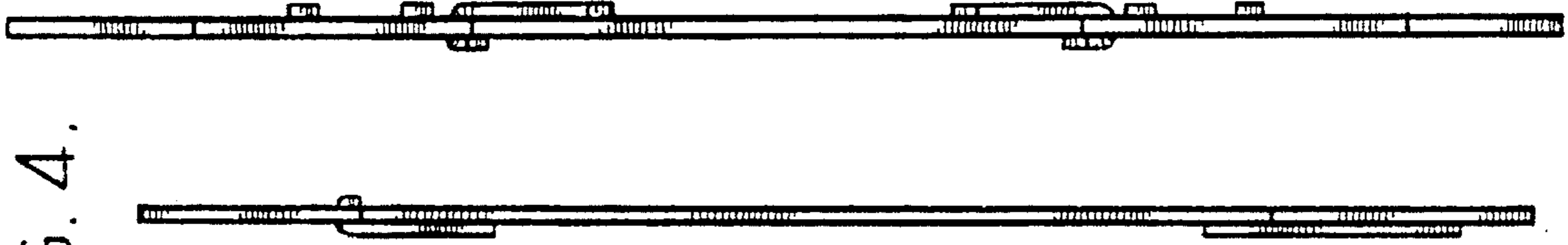


FIG. 2.

FIG. 5.

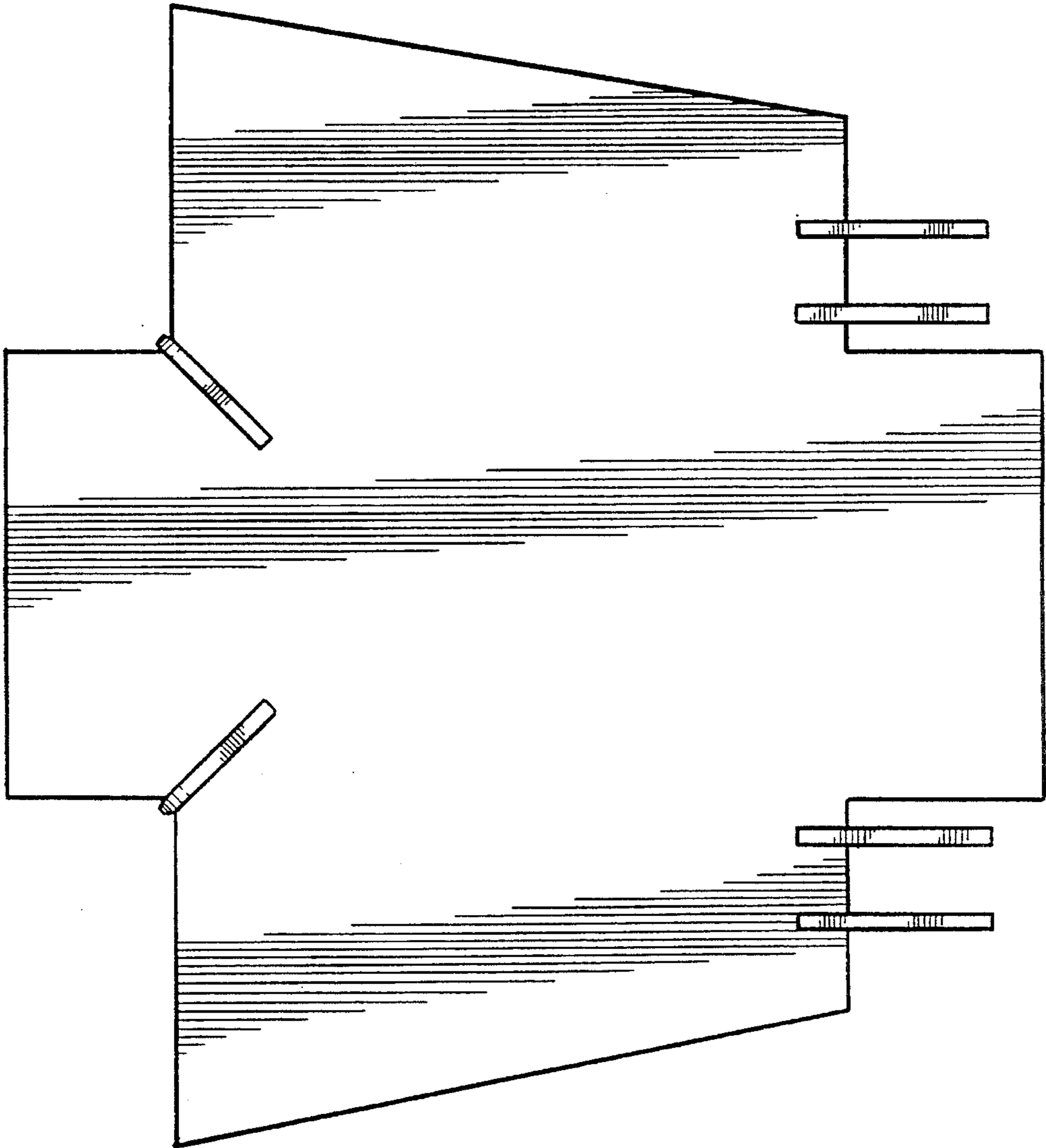


FIG. 3.



FIG. 6.

