



US00D364841S

# United States Patent [19]

Brannan et al.

[11] Patent Number: **Des. 364,841**

[45] Date of Patent: **\*\*Dec. 5, 1995**

[54] **NON-PNEUMATIC PLASTIC WHEEL HUB**

### FOREIGN PATENT DOCUMENTS

[75] Inventors: **Frederick J. Brannan**, Akron; **Robert D. Dangler**, Brecksville, both of Ohio

57-70701 5/1982 Japan ..... 301/64.7

[73] Assignee: **The B. F. Goodrich Company**, Akron, Ohio

*Primary Examiner*—James M. Gandy  
*Attorney, Agent, or Firm*—Helen A. Odar

[\*\*] Term: **14 Years**

### [57] CLAIM

[21] Appl. No.: **16,727**

The ornamental design for a non-pneumatic plastic wheel hub, as shown and described.

[22] Filed: **Dec. 22, 1993**

### DESCRIPTION

[52] U.S. Cl. .... **D12/207**

[58] Field of Search ..... D12/204, 207,  
D12/209, 211; 301/64.1, 64.7, 65, 105.1,  
108.1

FIG. 1 is a perspective view of our novel non-pneumatic plastic wheel hub;

FIG. 2 is a front elevation view, it being understood that the rear is a mirror image thereof; and,

FIG. 3 is an enlarged sectional view approximately on line 3—3 of FIG. 2.

### [56] References Cited

#### U.S. PATENT DOCUMENTS

245,827	8/1881	Hood	301/65
D. 330,883	11/1992	Harr	D12/209
4,940,445	7/1990	Des Portes	301/64.7
5,111,549	5/1992	Johnson	301/64.7

The broken lines shown in FIG. 3 of the drawing are for illustrative purposes only and form no part of the claimed design.

**1 Claim, 1 Drawing Sheet**

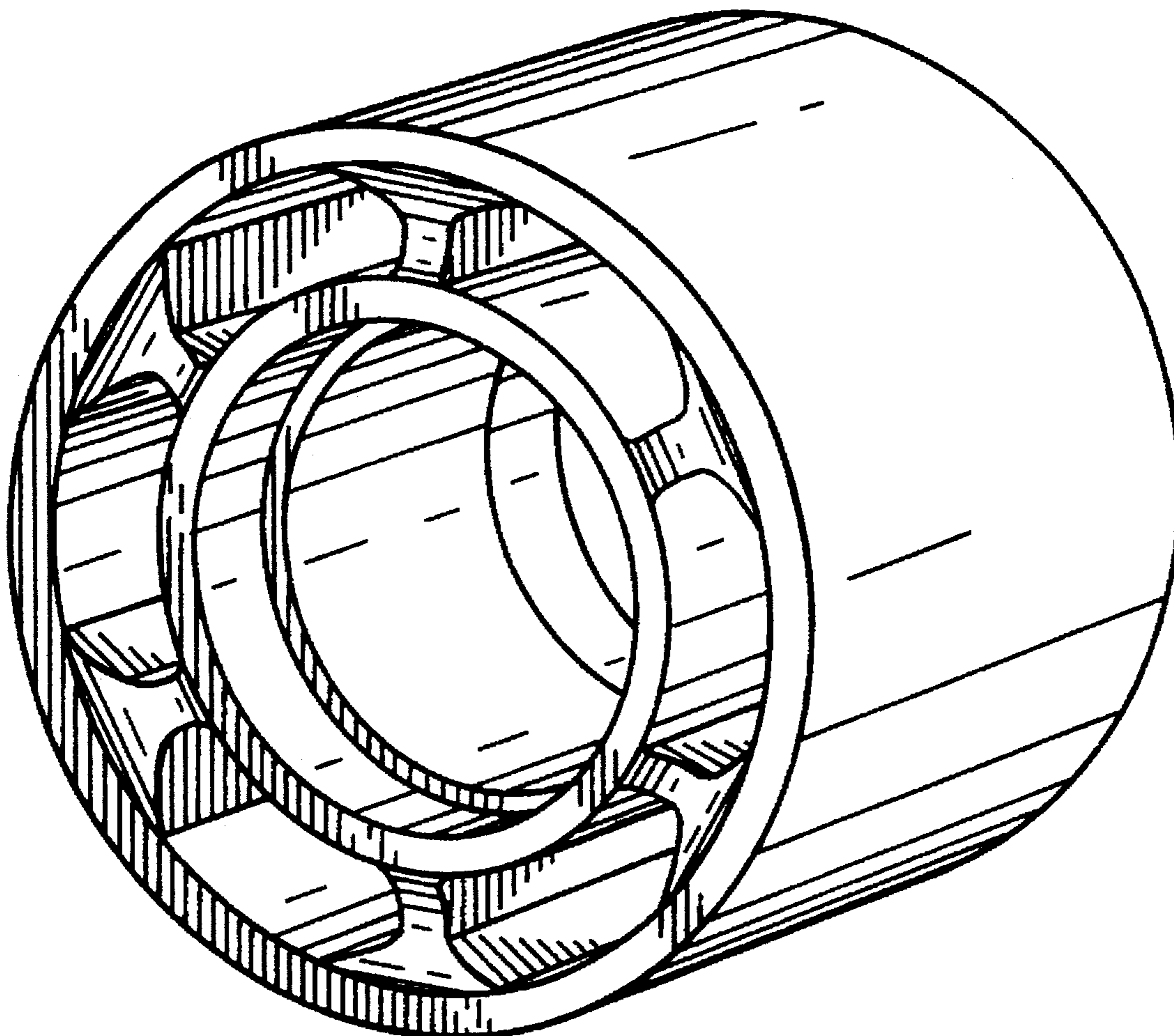


FIG. 1

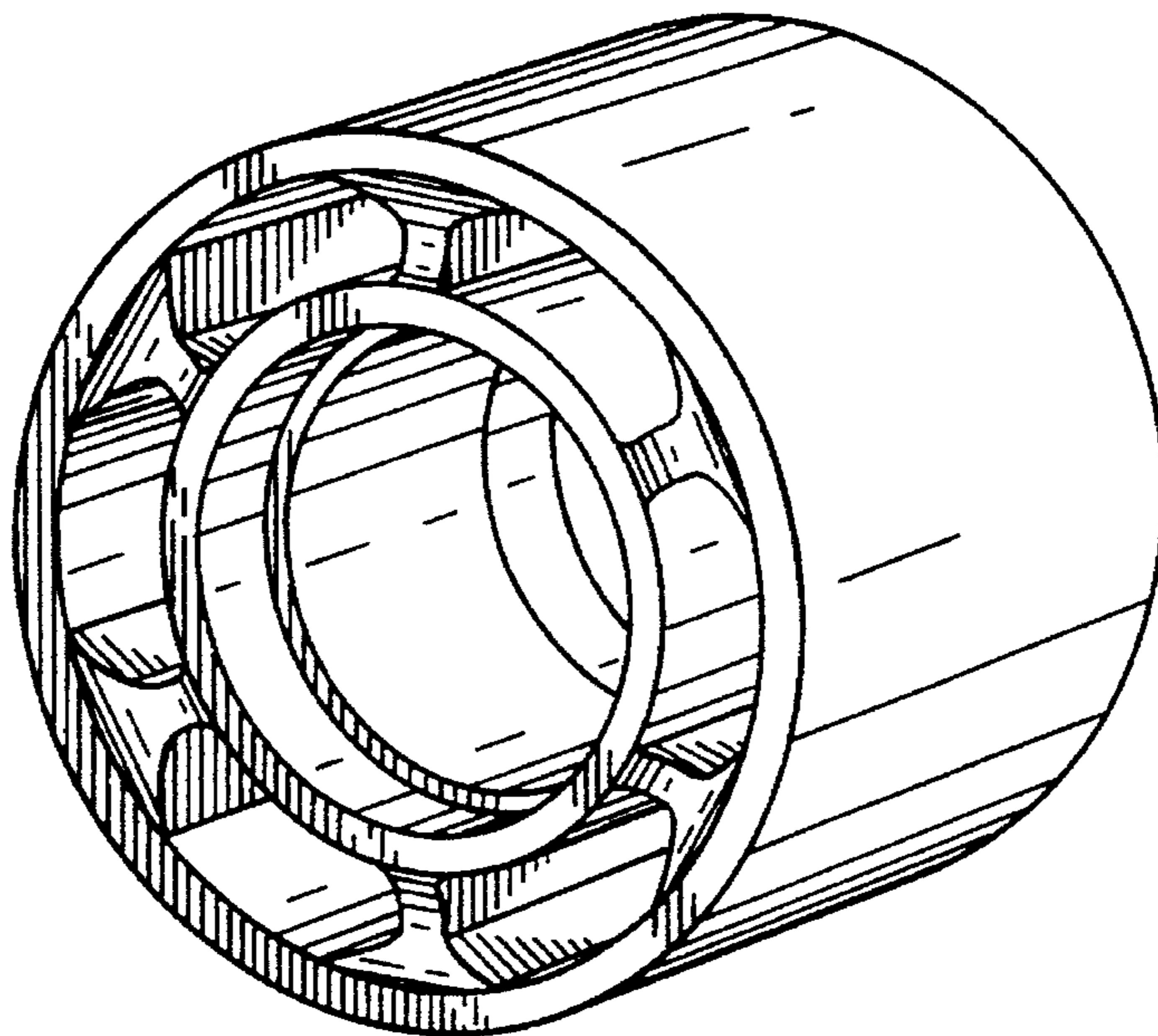


FIG. 2

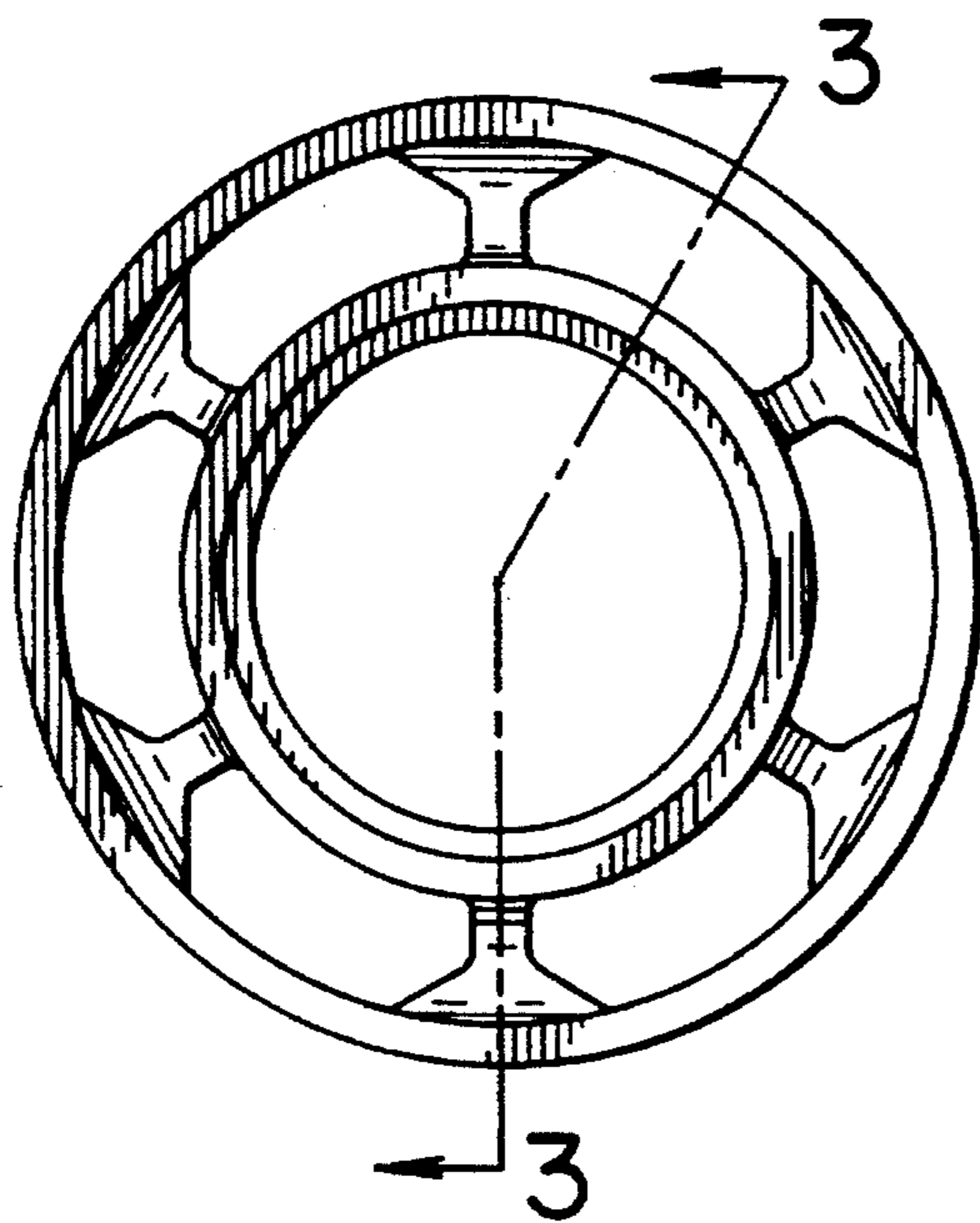


FIG. 3

