



US00D364840S

United States Patent [19]

Oshizawa et al.

[11] Patent Number: **Des. 364,840**

[45] Date of Patent: ****Dec. 5, 1995**

[54] **CONSOLE FOR VEHICLE NAVIGATION SYSTEM**

[75] Inventors: **Hidekazu Oshizawa; Takao Fujii**, both of Cupertino, Calif.

[73] Assignee: **Zexel Corporation**, Tokyo, Japan

[**] Term: **14 Years**

[21] Appl. No.: **6,397**

[22] Filed: **Mar. 26, 1993**

[52] U.S. Cl. **D12/192; D14/113**

[58] Field of Search **D12/192, 317; 296/70; 180/90; D14/113**

[56] **References Cited**

U.S. PATENT DOCUMENTS

D. 261,387	10/1981	Weitz et al.	D12/192
D. 317,285	6/1991	Inoue	D12/192
1,407,751	2/1922	Jeffers	D12/192
5,174,621	12/1992	Angleson	D12/192

Primary Examiner—A. Hugo Word

Assistant Examiner—M. Brown

Attorney, Agent, or Firm—Christopher R. Pastel; Thomas R. Morrison

[57] **CLAIM**

The ornamental design for a console for vehicle navigation system, as shown and described.

DESCRIPTION

FIG. 1 is a front view of a console for vehicle navigation system showing our new design;

FIG. 2 is a top view;

FIG. 3 is a right side view;

FIG. 4 is a left side view;

FIG. 5 is a rear view;

FIG. 6 is a bottom view;

FIG. 7 is a front perspective view; and,

FIG. 8 is a rear perspective view.

1 Claim, 5 Drawing Sheets

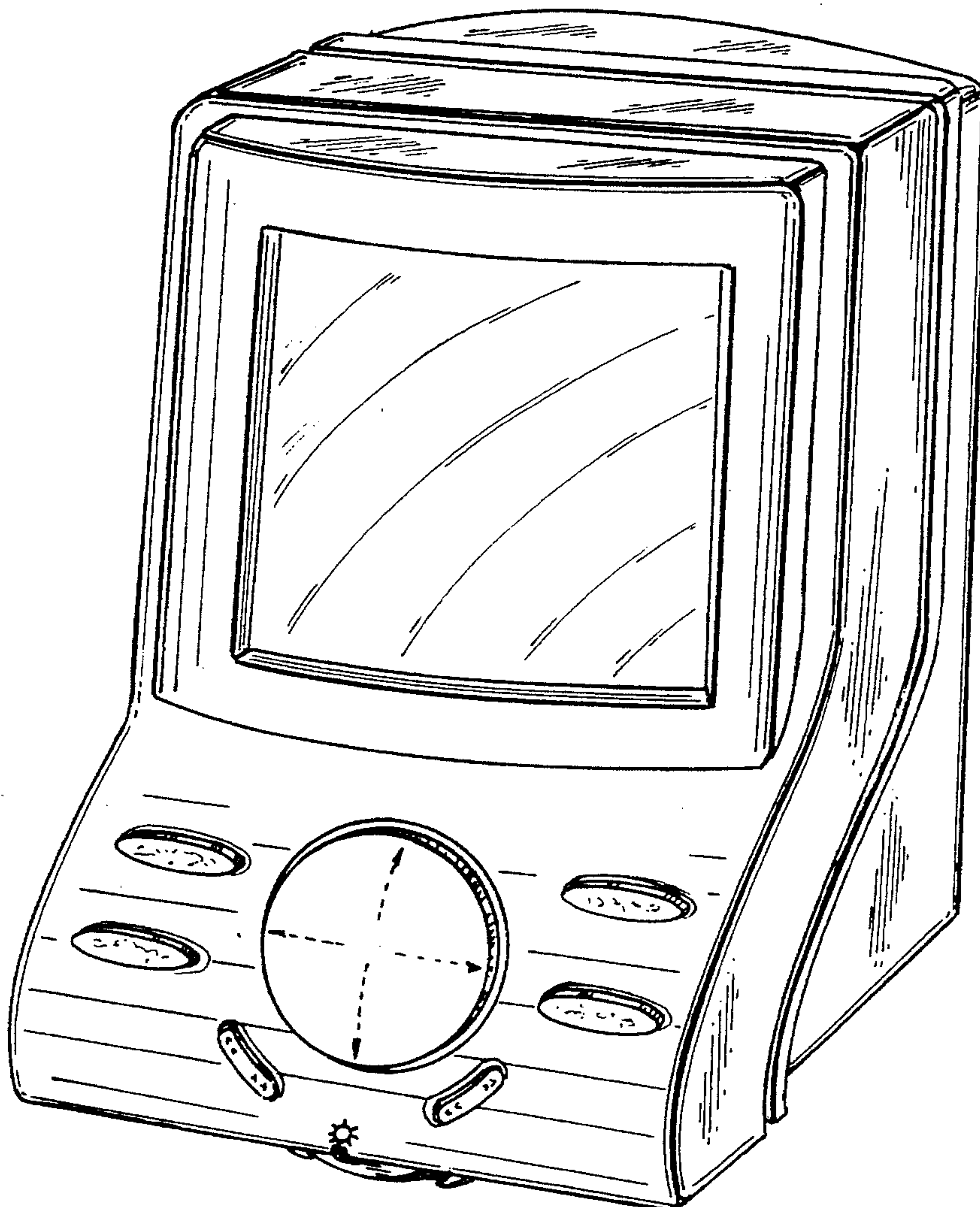


FIG. 1

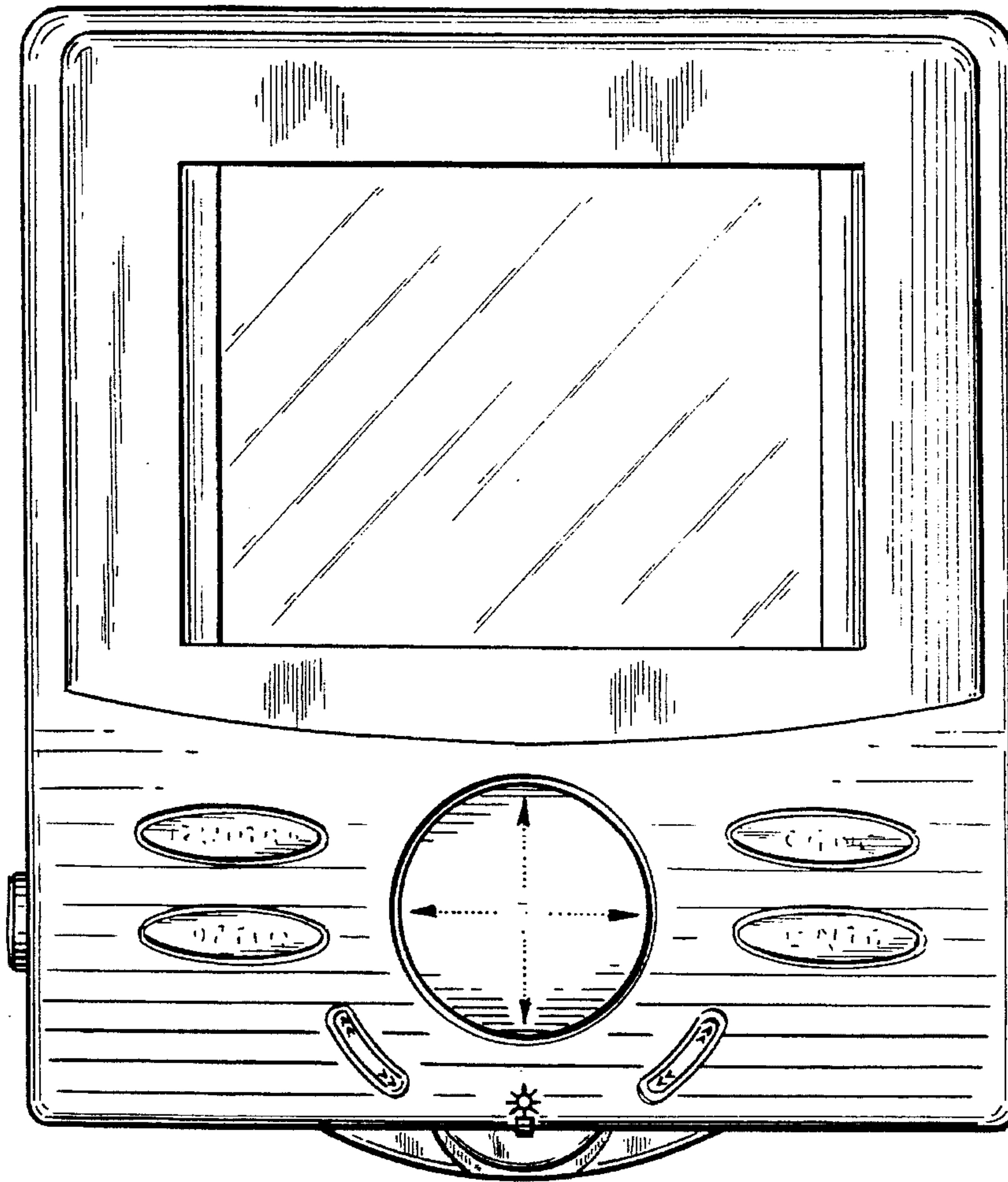
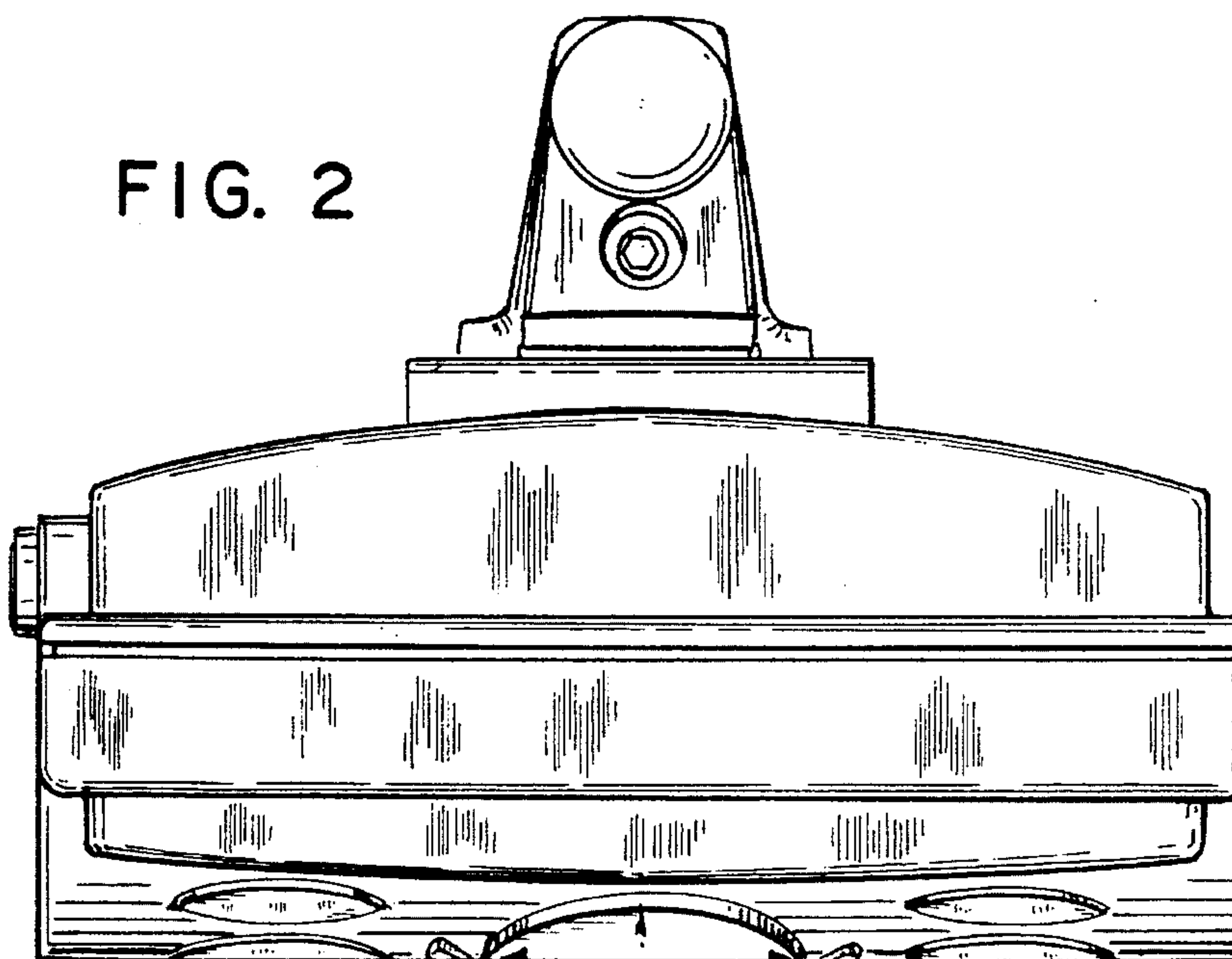


FIG. 2



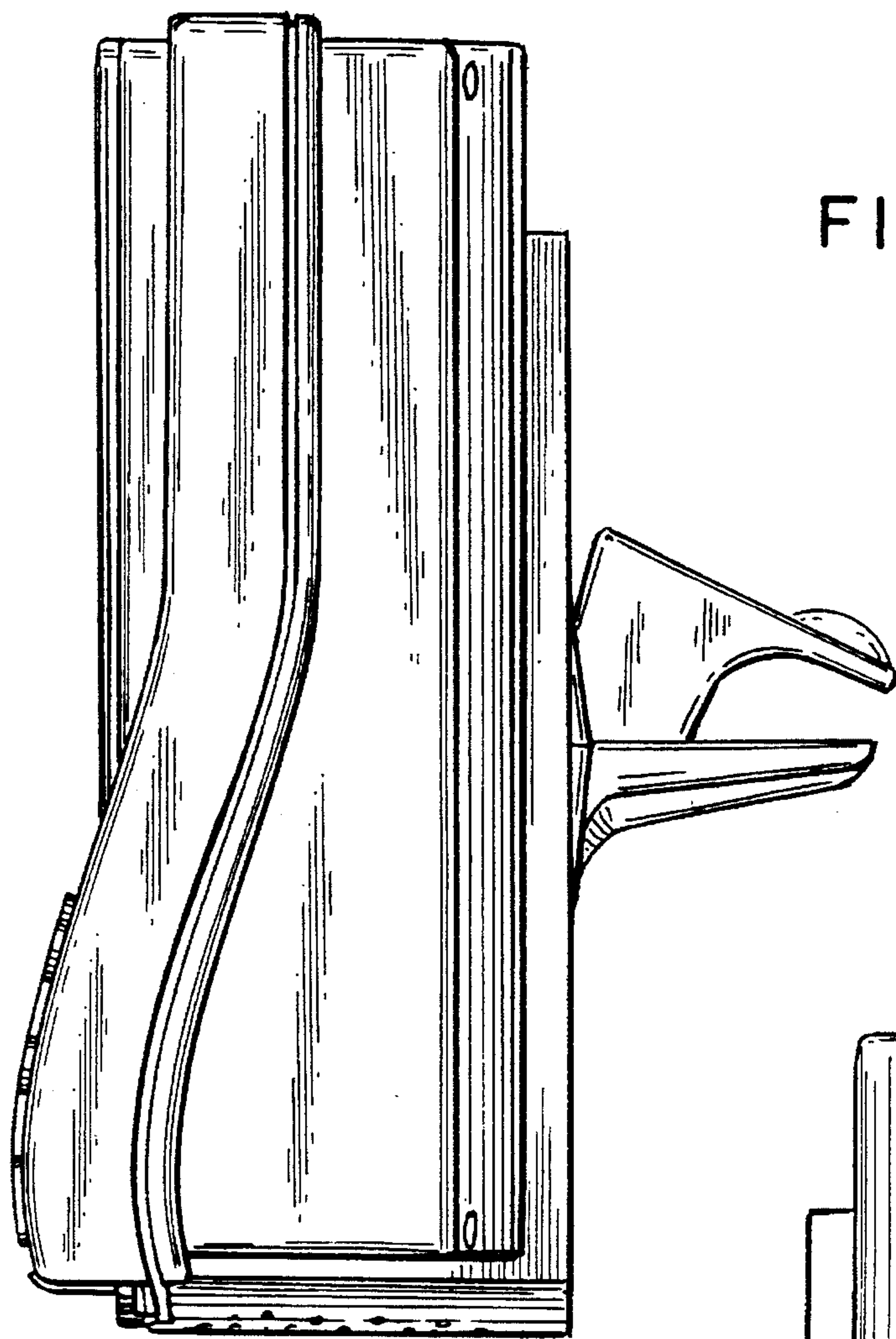


FIG. 3

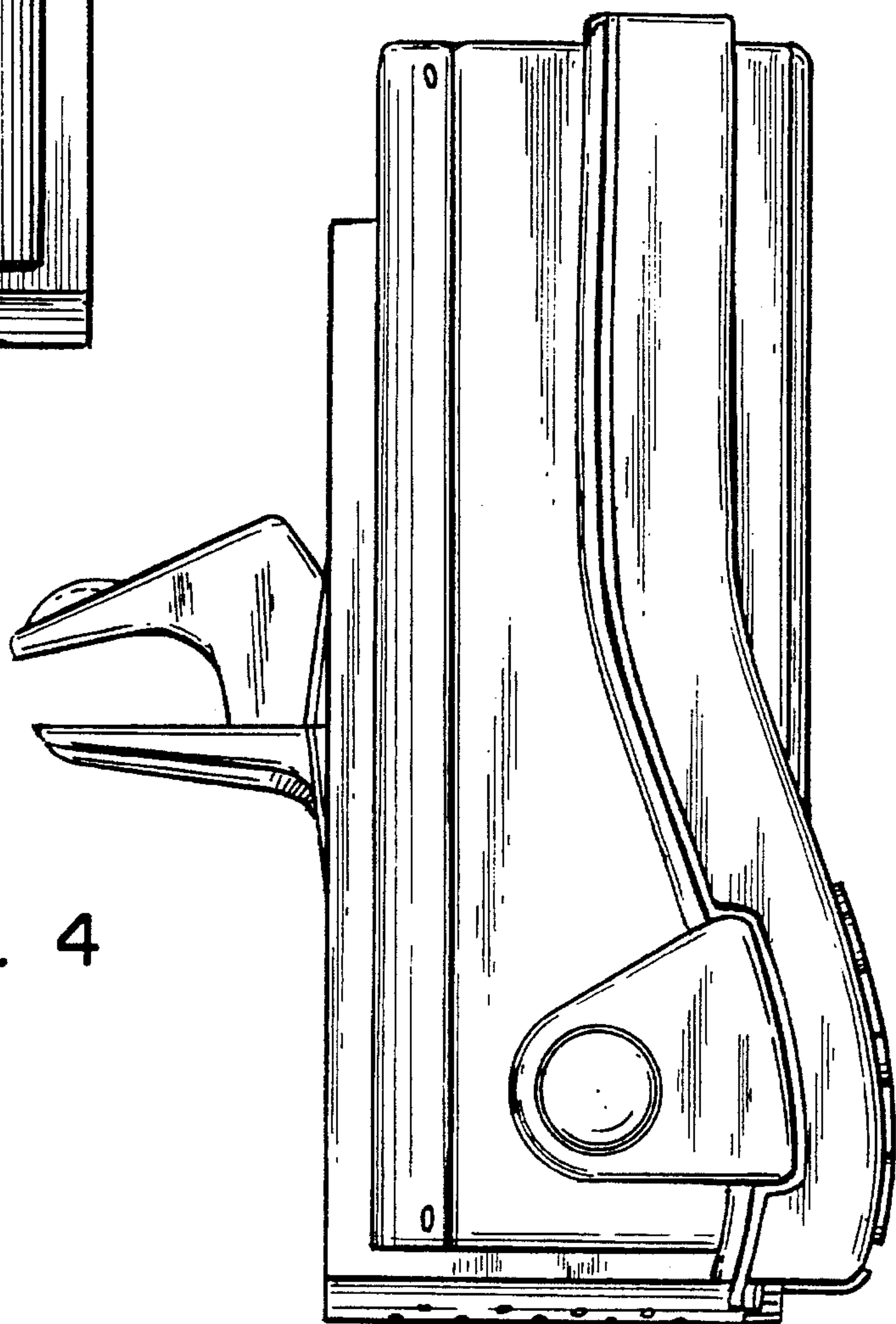


FIG. 4

FIG. 5

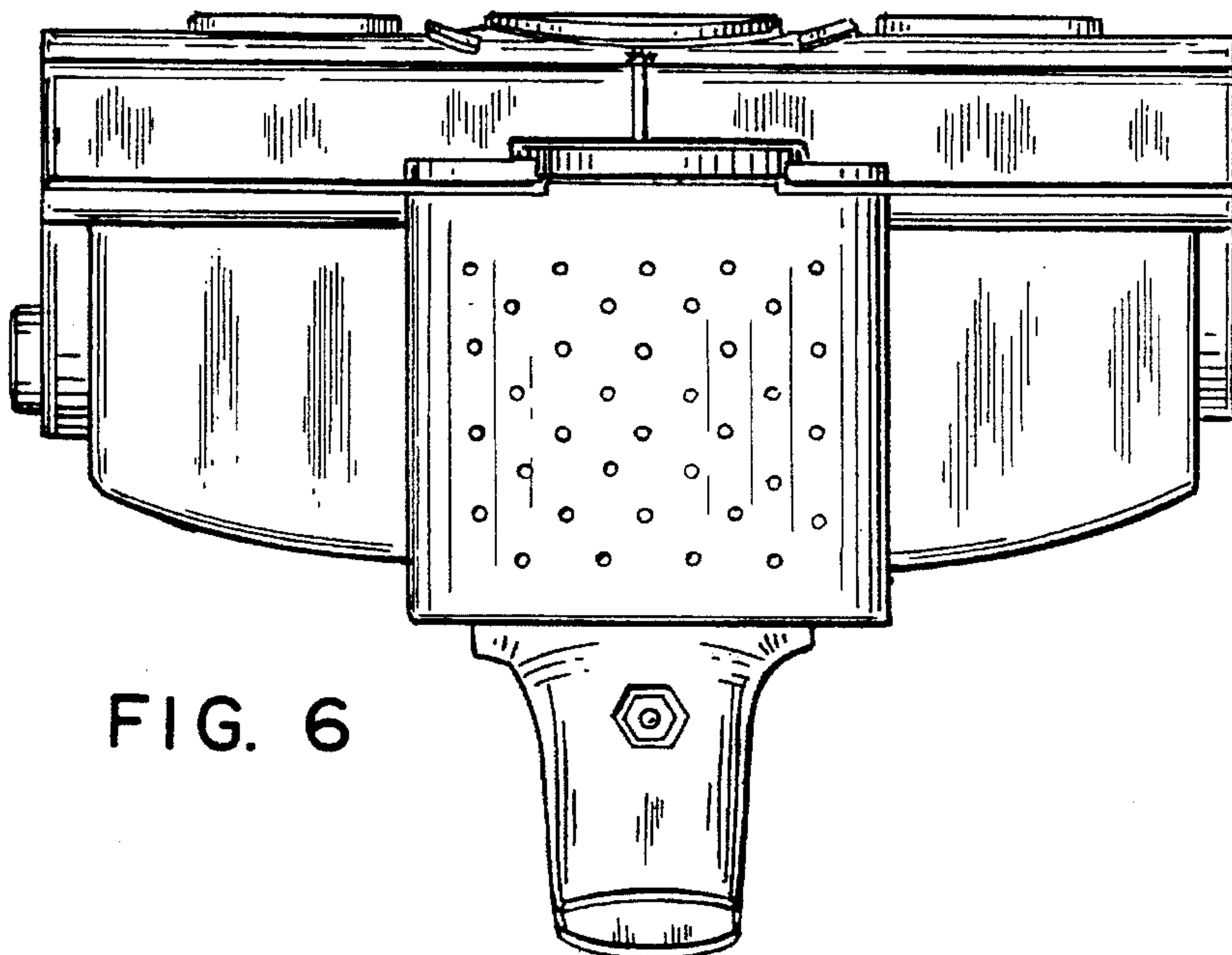
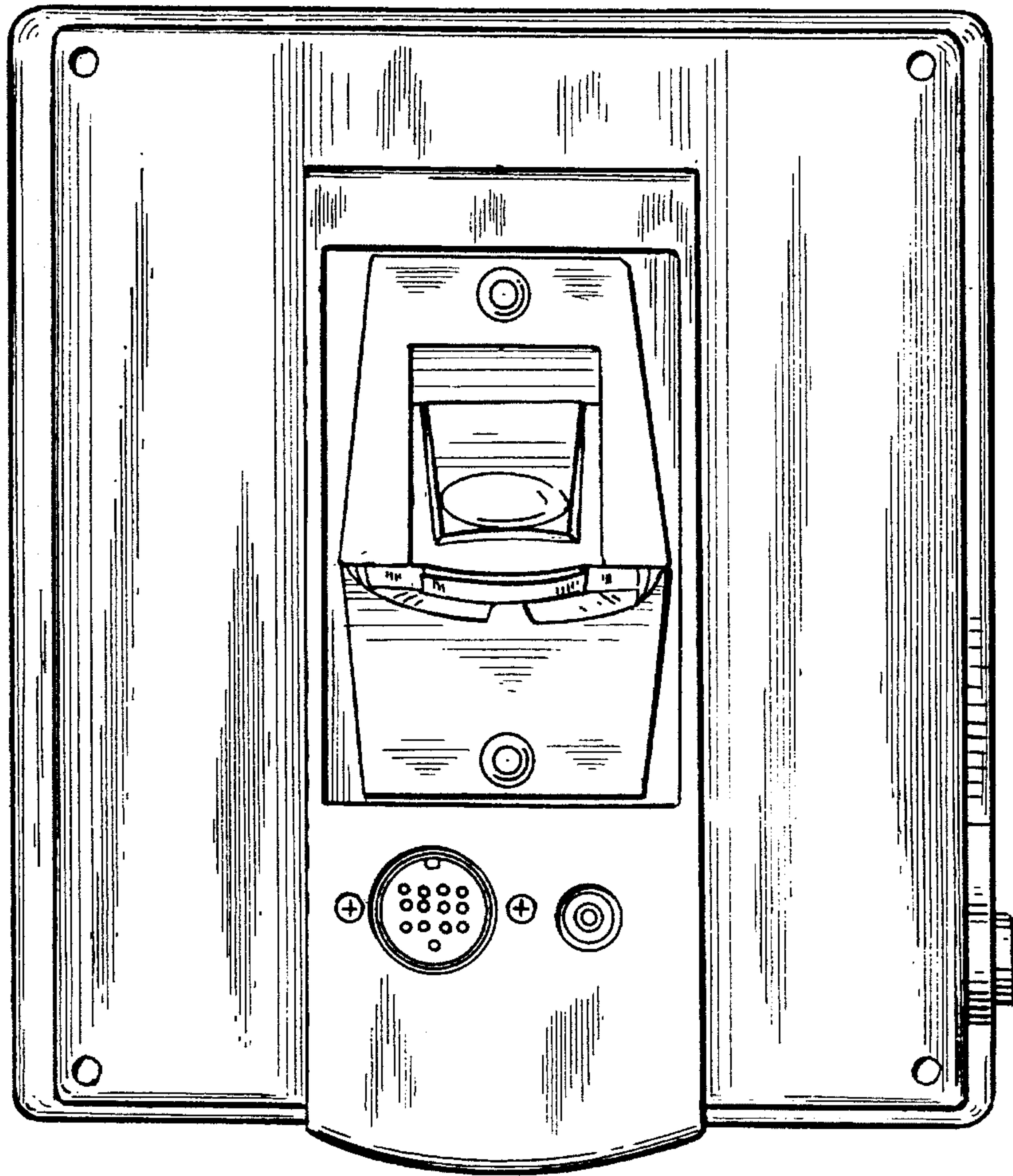
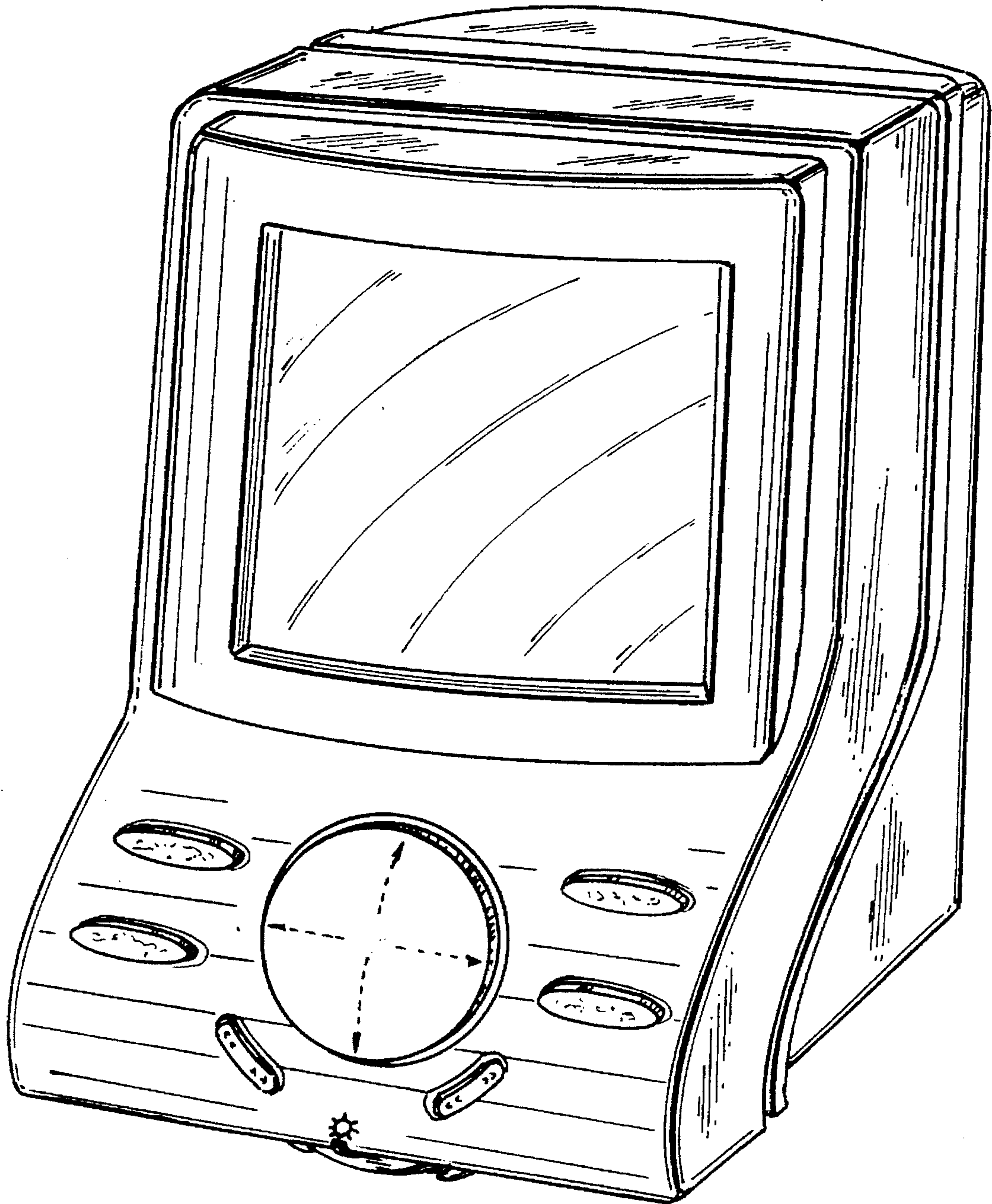


FIG. 6

FIG. 7



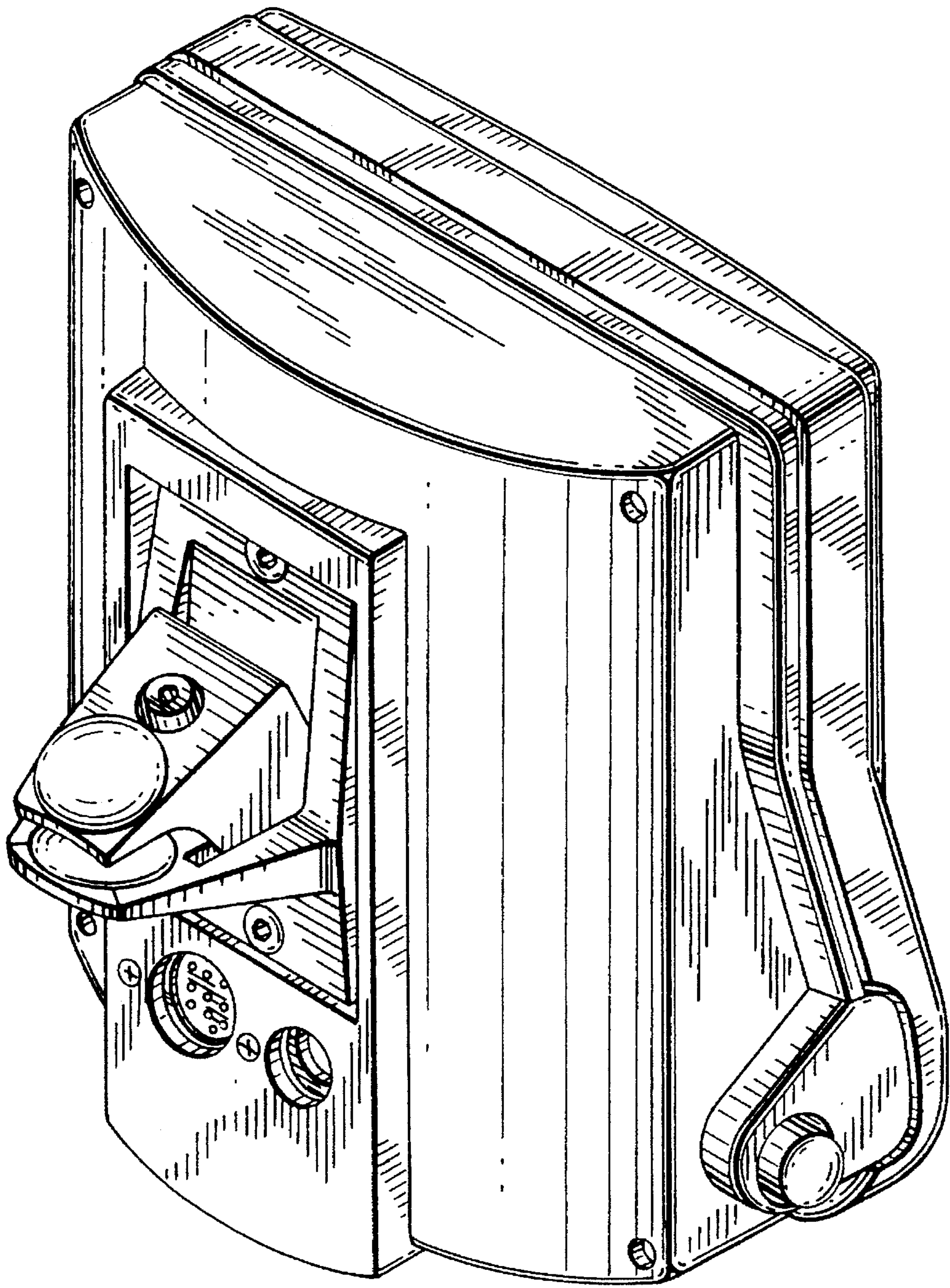


FIG. 8