



US00D364837S

United States Patent [19]
Hargrove

[11] **Patent Number:** **Des. 364,837**
[45] **Date of Patent:** ****Dec. 5, 1995**

[54] **SPIKE MAT**
[76] Inventor: **Pearline Hargrove**, 4 Summit Rd.,
Holbrook, Mass. 02343
[**] Term: **14 Years**
[21] Appl. No.: **26,978**
[22] Filed: **Aug. 10, 1994**
[52] U.S. Cl. **D12/154; D12/400**
[58] **Field of Search** D12/154, 400;
152/187, 189, 171, 179, 191, 210, 222;
238/14

3,640,459 2/1972 Preisler D12/154
3,672,422 6/1972 Greipel 152/222
3,836,075 9/1974 Botbol 238/14

Primary Examiner—Freda Nunn

[57] **CLAIM**

The ornamental design for a spike mat, as shown and described.

DESCRIPTION

FIG. 1 is a front elevational view of the spike mat showing my new design;
FIG. 2 is a rear elevational view thereof;
FIG. 3 is a left side elevational view thereof;
FIG. 4 is a right side elevational view thereof;
FIG. 5 is a top plan view thereof;
FIG. 6 is a bottom plan view thereof; and,
FIG. 7 is an isometric view thereof.

[56] **References Cited**

U.S. PATENT DOCUMENTS

D. 196,773 10/1963 Carter D12/400
D. 315,326 3/1991 Pinto D12/154
D. 348,240 6/1994 Chiang D12/154
1,380,574 6/1921 Mason 238/14
1,401,689 12/1921 Gentry 238/14

1 Claim, 4 Drawing Sheets

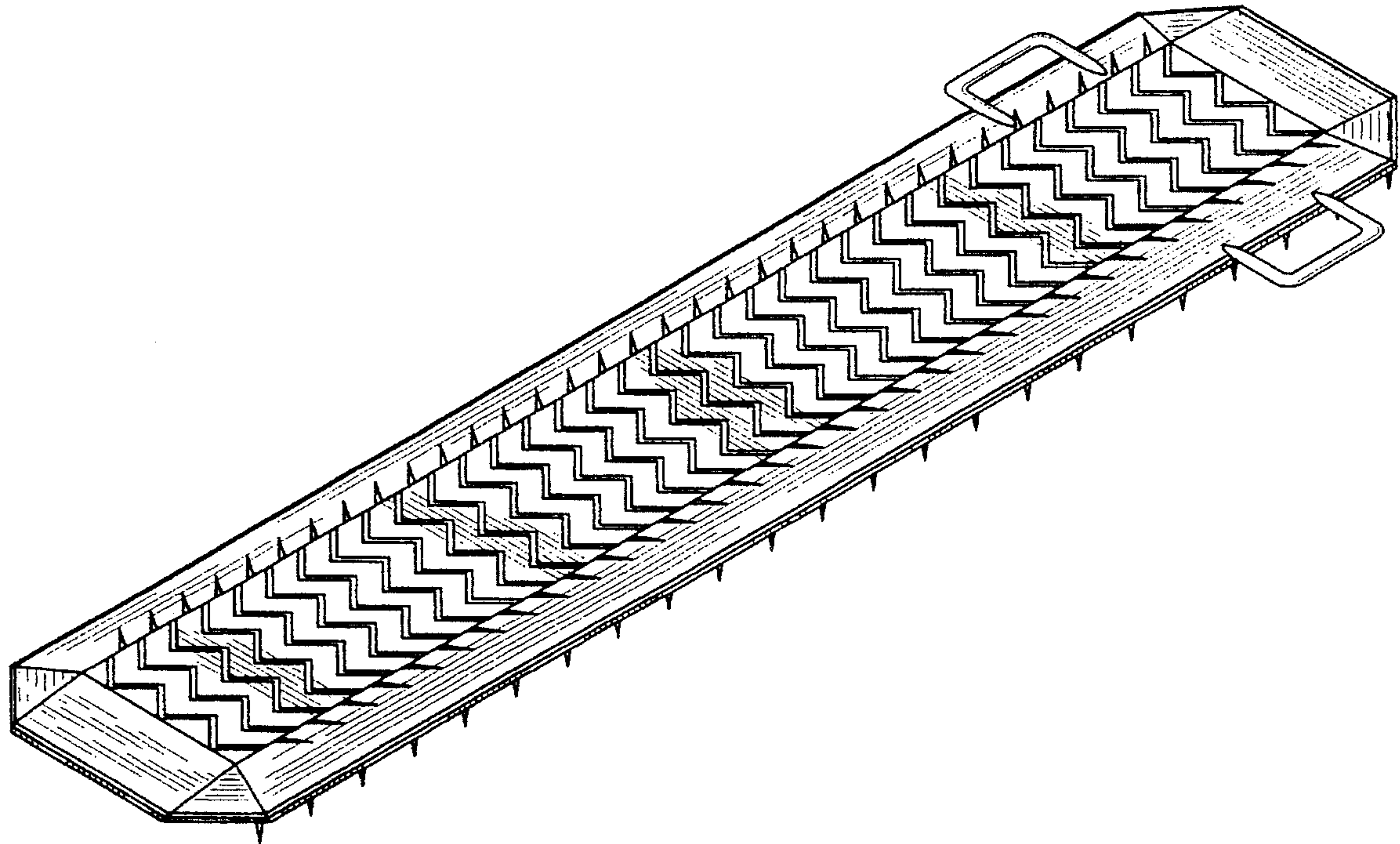


FIG. 1



FIG. 2



FIG. 3



FIG. 4



FIG. 5

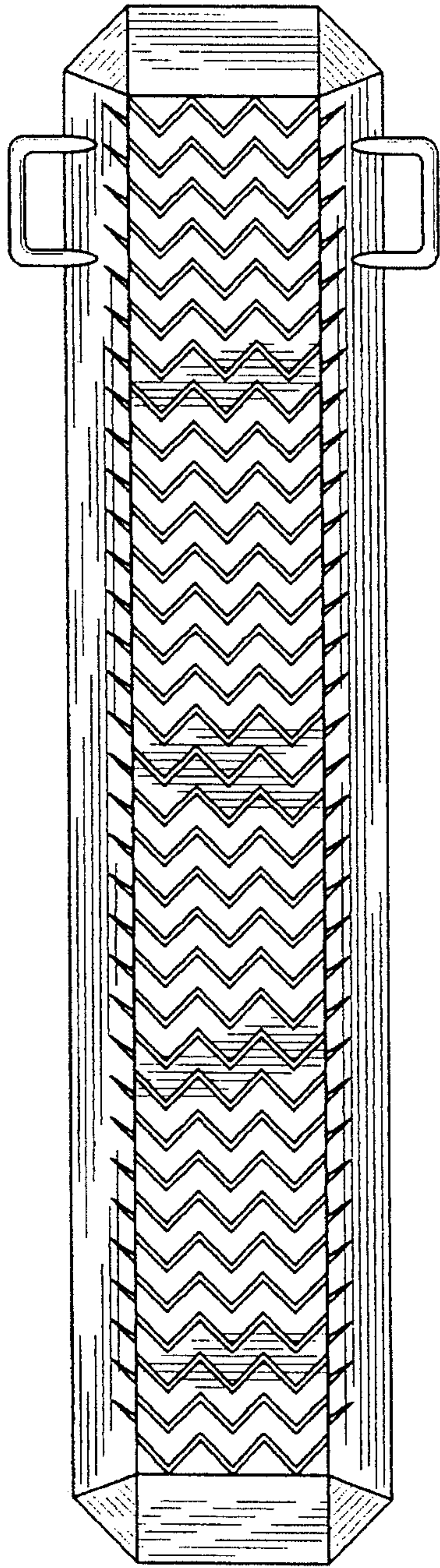


FIG. 6

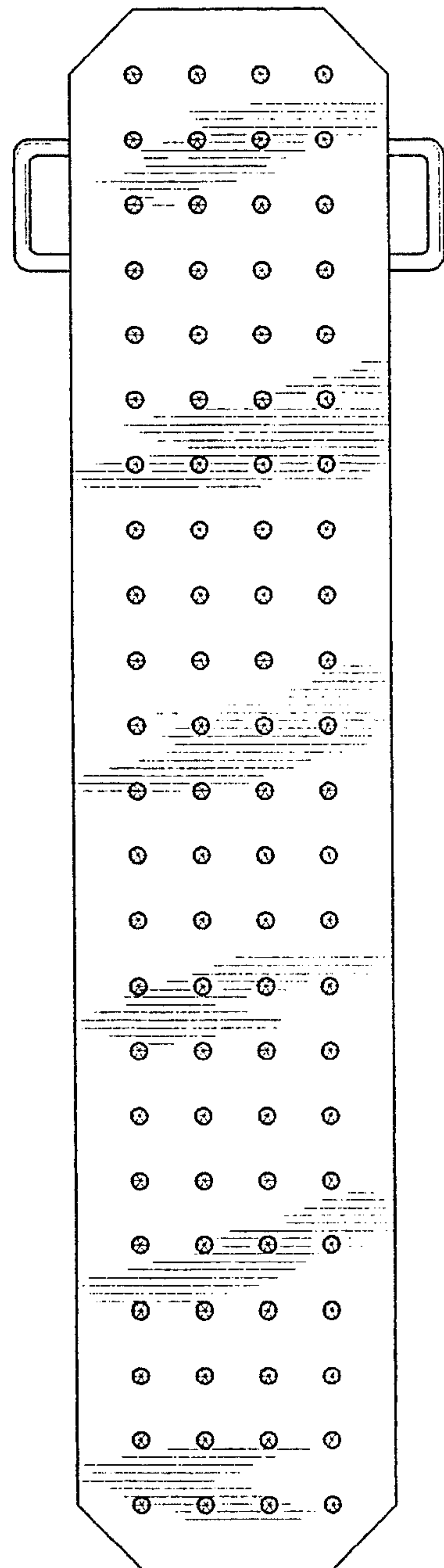


FIG. 7

