



US00D364835S

United States Patent [19]

Barney et al.

[11] Patent Number: **Des. 364,835**

[45] Date of Patent: ****Dec. 5, 1995**

[54] **TANDEM BICYCLE**

[76] Inventors: **Santiago H. Barney; Gael A. Barney**,
both of 9905 W. Atlantic Blvd., Coral
Springs, Fla. 33071

[**] Term: **14 Years**

[21] Appl. No.: **22,658**

[22] Filed: **May 10, 1994**

[52] U.S. Cl. **D12/112**

[58] Field of Search **D12/112; 280/209,**
280/231, 273, 282

[56] **References Cited**

U.S. PATENT DOCUMENTS

D. 266,556	10/1982	Arthur	D12/112
D. 289,271	4/1987	Hendrykson	D12/112
D. 301,216	5/1989	Lawson	D12/112
4,093,258	6/1978	Ansel	280/231

Primary Examiner—A. Hugo Word
Assistant Examiner—M. Brown
Attorney, Agent, or Firm—M. K. Silverman

[57] **CLAIM**

The ornamental design for a tandem bicycle with dual rear wheels, as shown and described.

DESCRIPTION

FIG. 1 is a perspective view of a tandem bicycle with dual rear wheels showing our new design;
FIG. 2 is a right side view thereof;
FIG. 3 is a left side view thereof;
FIG. 4 is a rear elevational view of our inventive tandem bicycle;
FIG. 5 is a front elevational view thereof;
FIG. 6 is a top perspective view of our novel tandem bicycle design; and,
FIG. 7 is a bottom perspective view thereof.

1 Claim, 2 Drawing Sheets

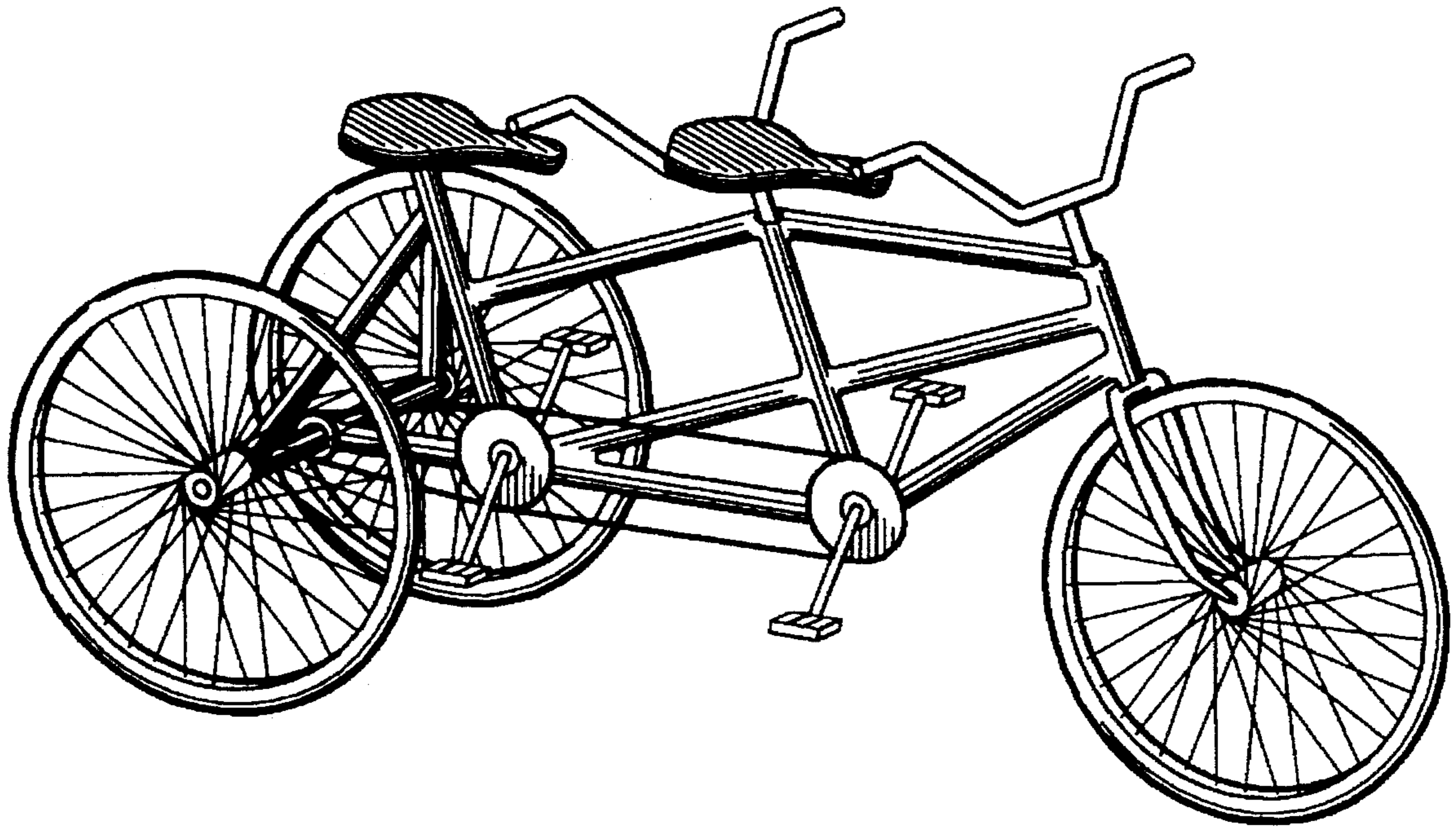


FIG. 1.

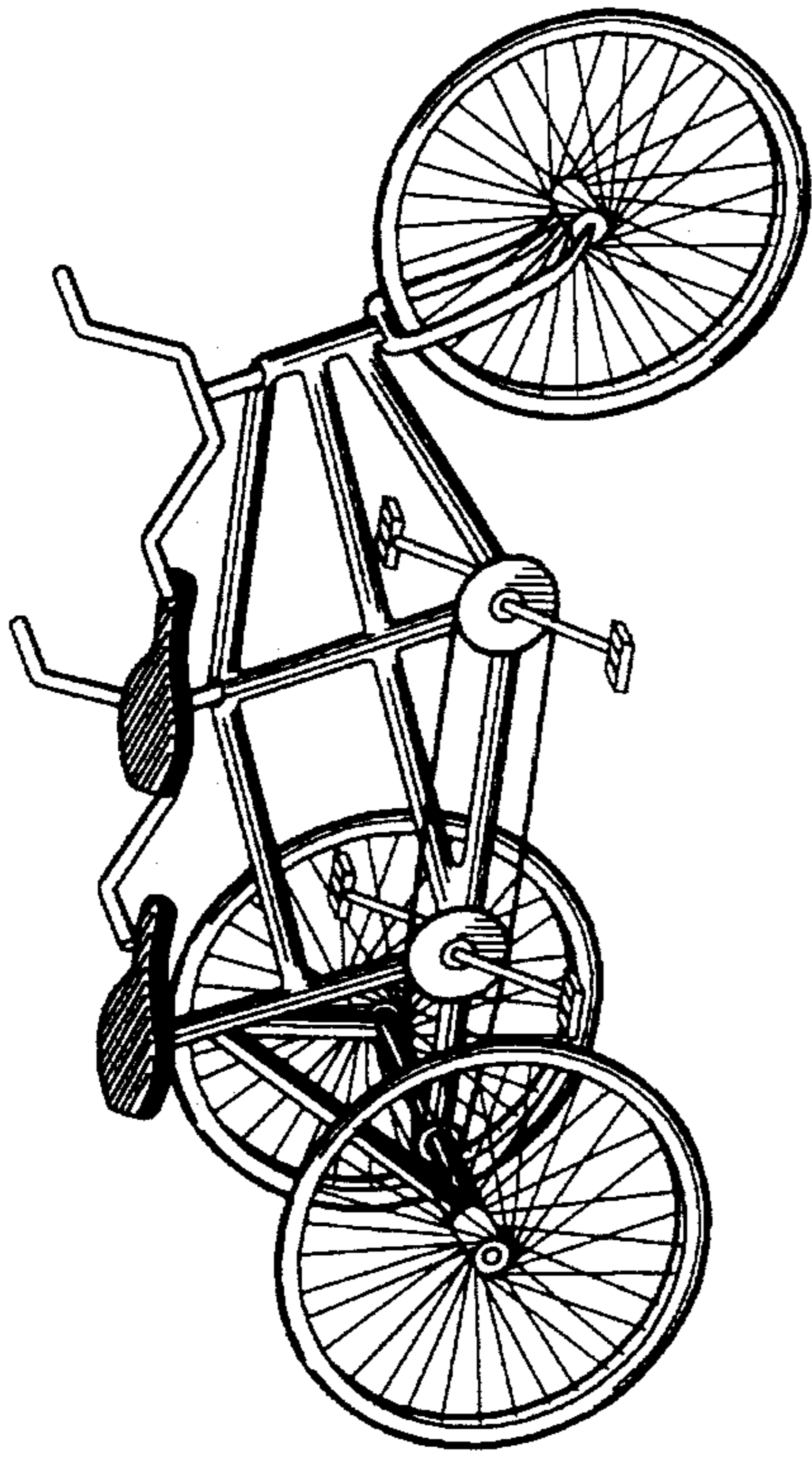


FIG. 2.

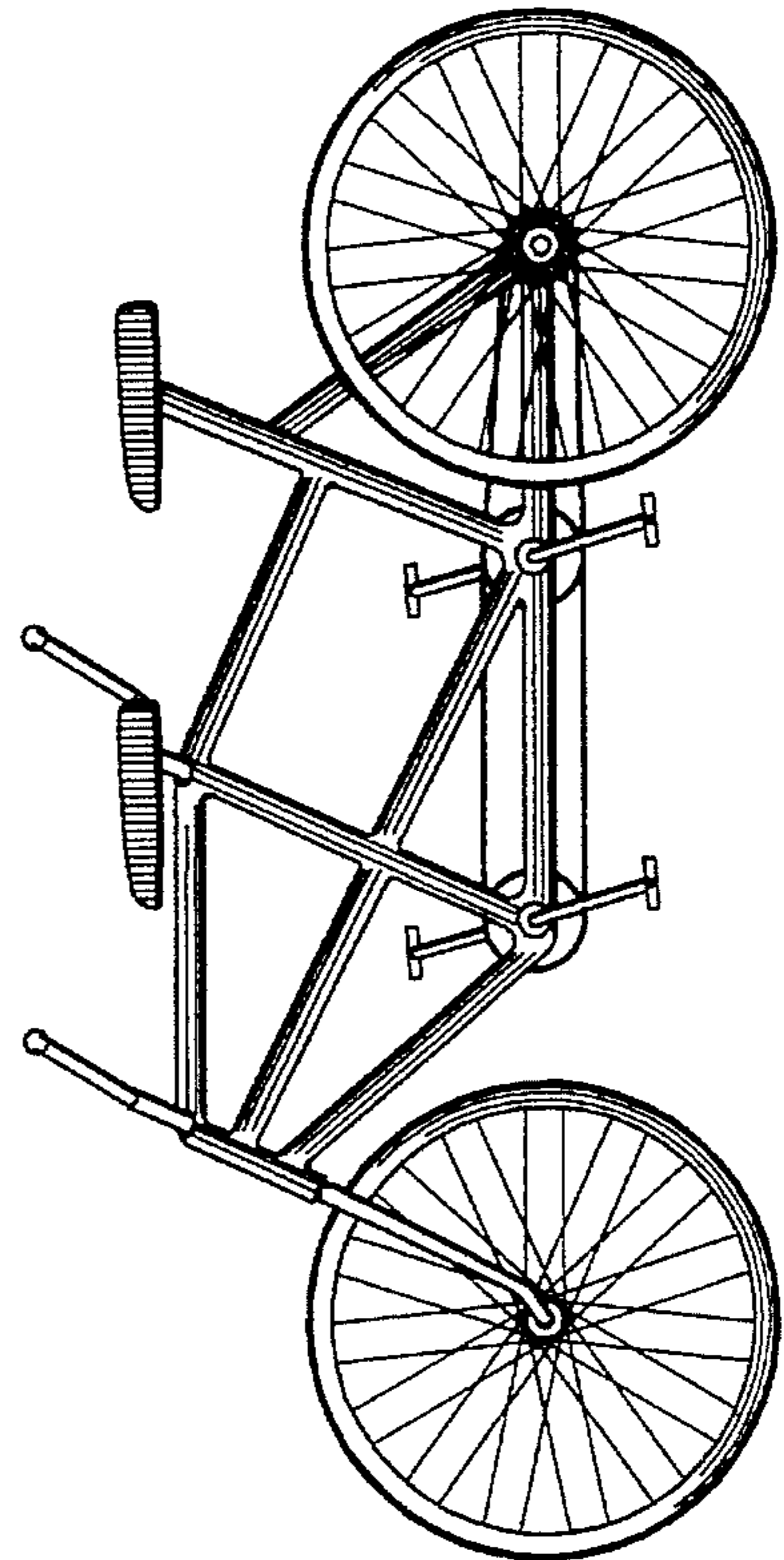


FIG. 3.

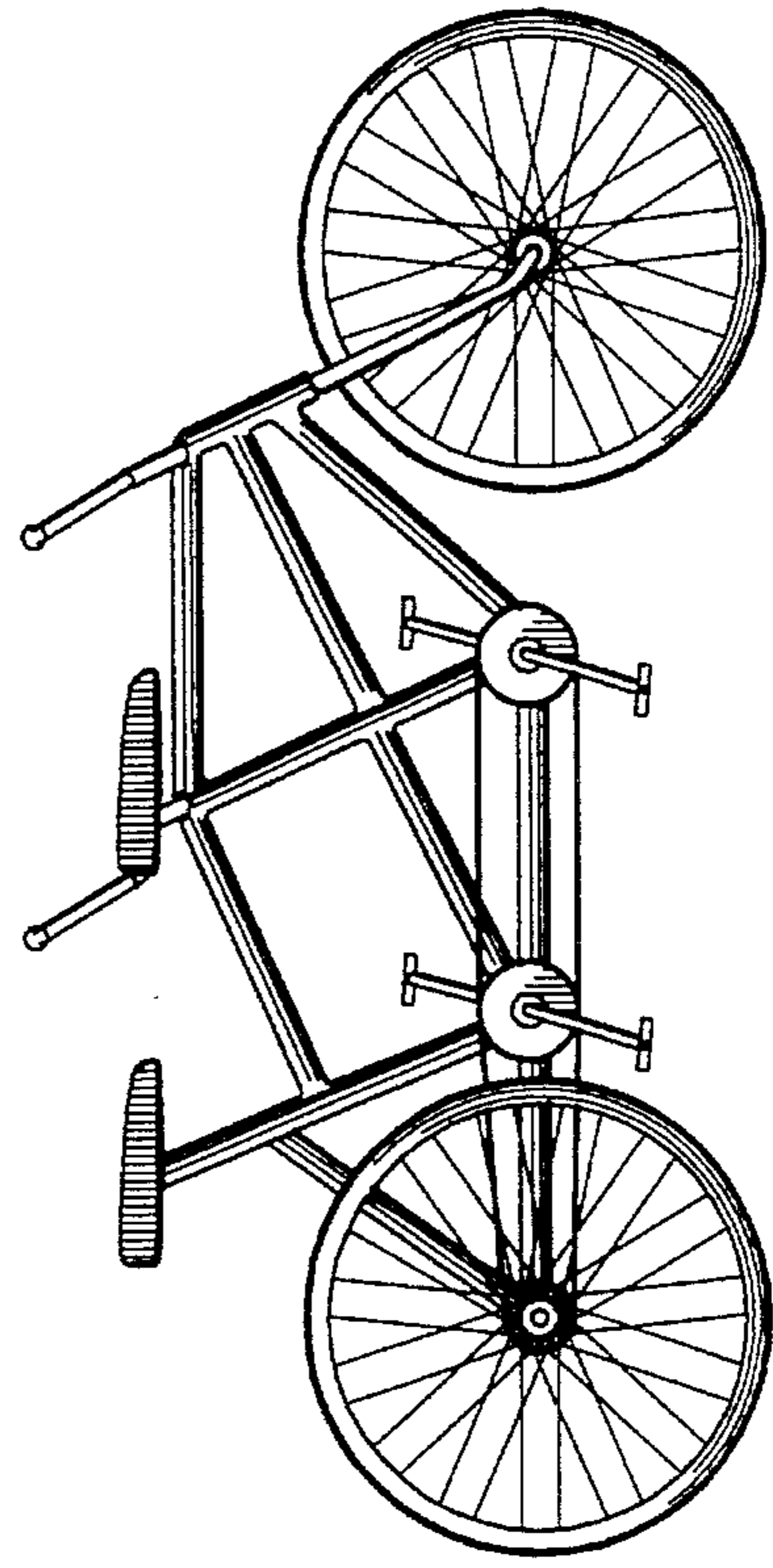


FIG. 5.

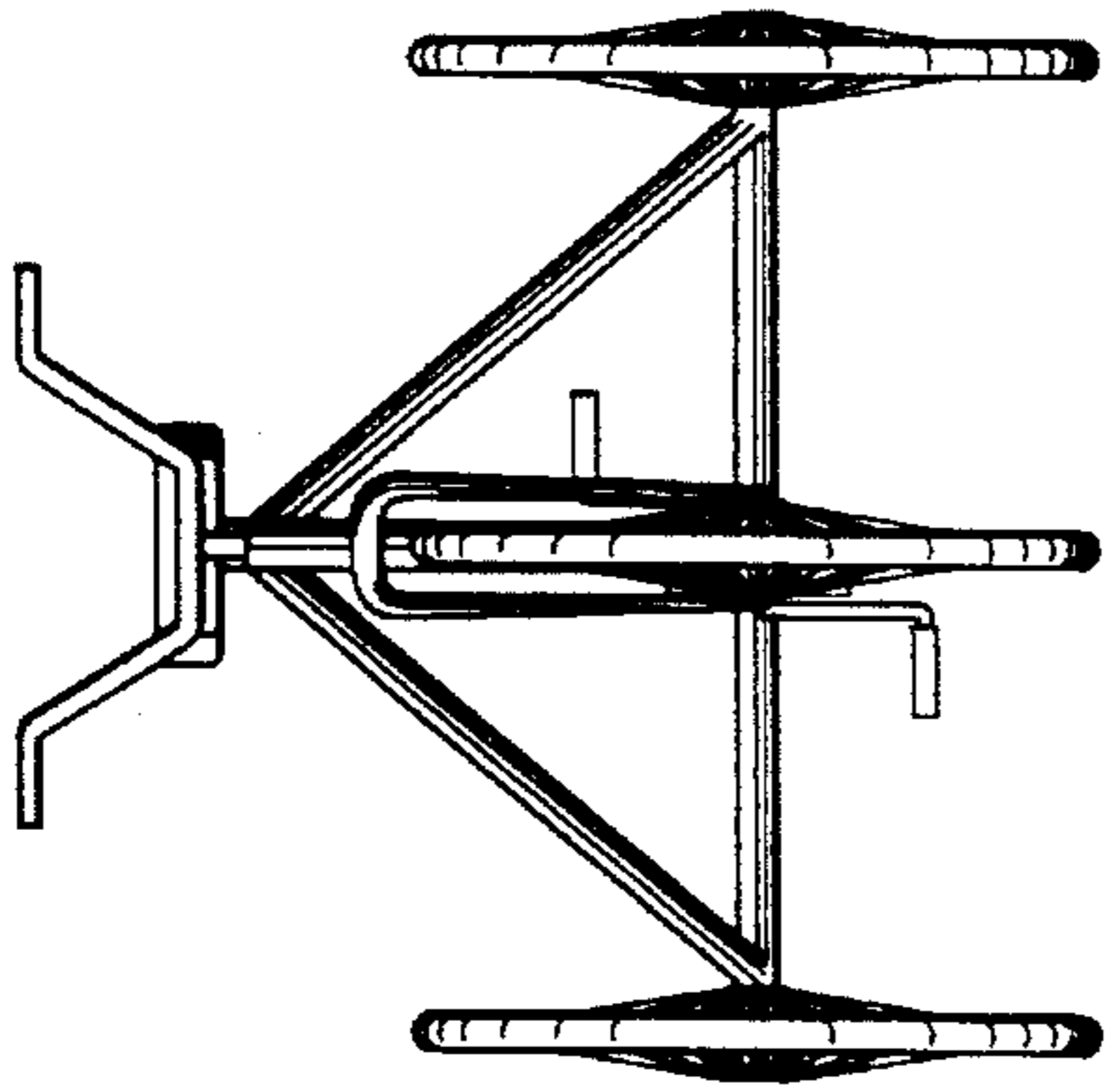


FIG. 4.

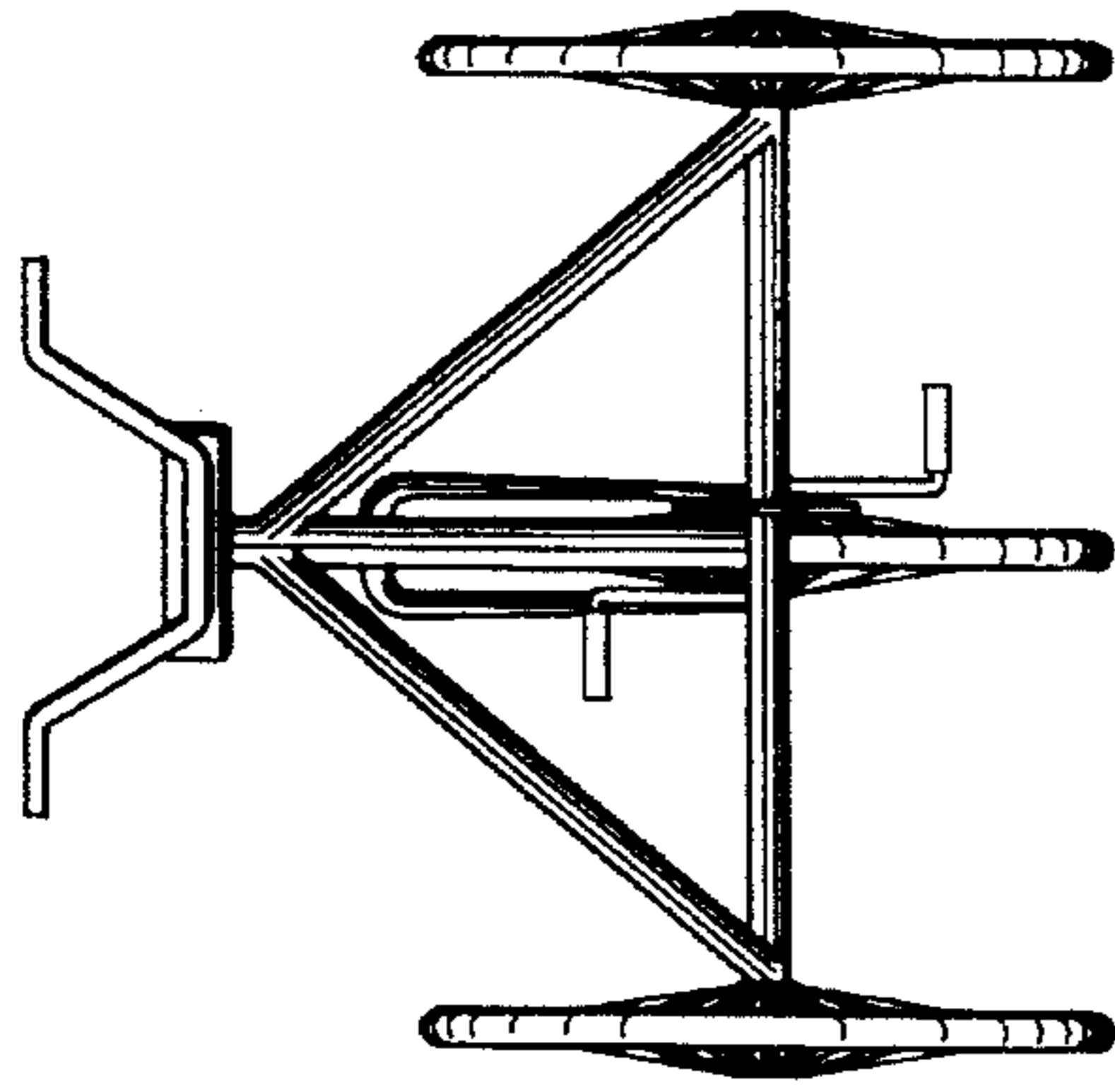


FIG. 7.

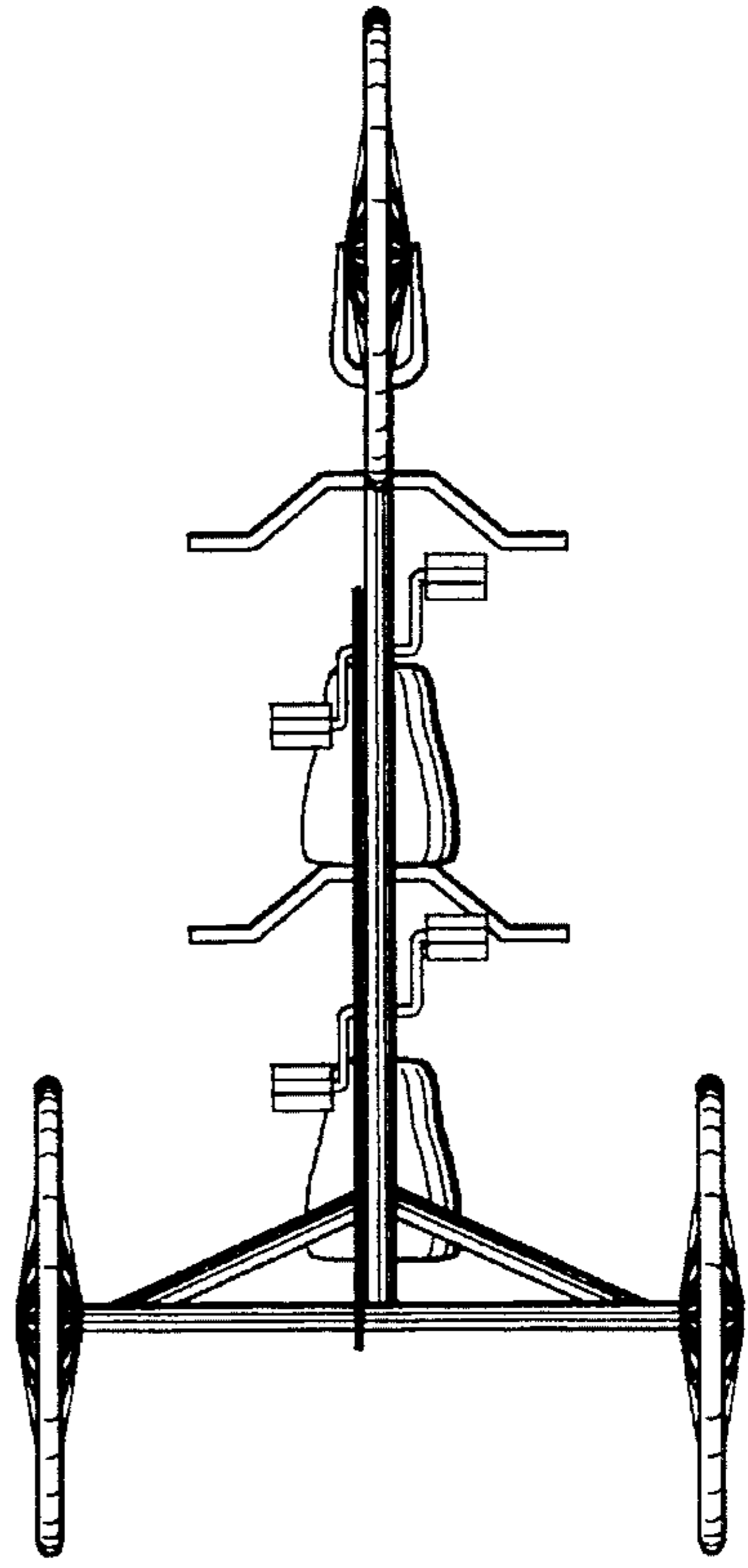


FIG. 6.

