



US00D364831S

# United States Patent [19] Fillipp

[11] **Patent Number:** **Des. 364,831**  
[45] **Date of Patent:** **\*\*Dec. 5, 1995**

[54] **CHRISTMAS TREE STAND**  
[75] Inventor: **Stephen L. Fillipp**, Lubbock, Tex.  
[73] Assignee: **Gary Products Group, Inc.**, Lubbock, Tex.  
[\*\*] Term: **14 Years**  
[21] Appl. No.: **26,124**  
[22] Filed: **Jul. 20, 1994**  
[52] U.S. Cl. .... **D11/130.1**  
[58] Field of Search ..... **D11/130.1; 47/40.5; 248/519, 527**

2,994,498 8/1961 Soger .  
3,302,909 2/1967 Glassman .  
4,571,881 2/1986 Lathim .  
4,884,363 12/1989 Sofy .  
5,014,461 5/1991 vom Braucke et al. .

*Primary Examiner*—Dominic Simone  
*Attorney, Agent, or Firm*—Ross, Clapp, Korn & Montgomery

### [57] CLAIM

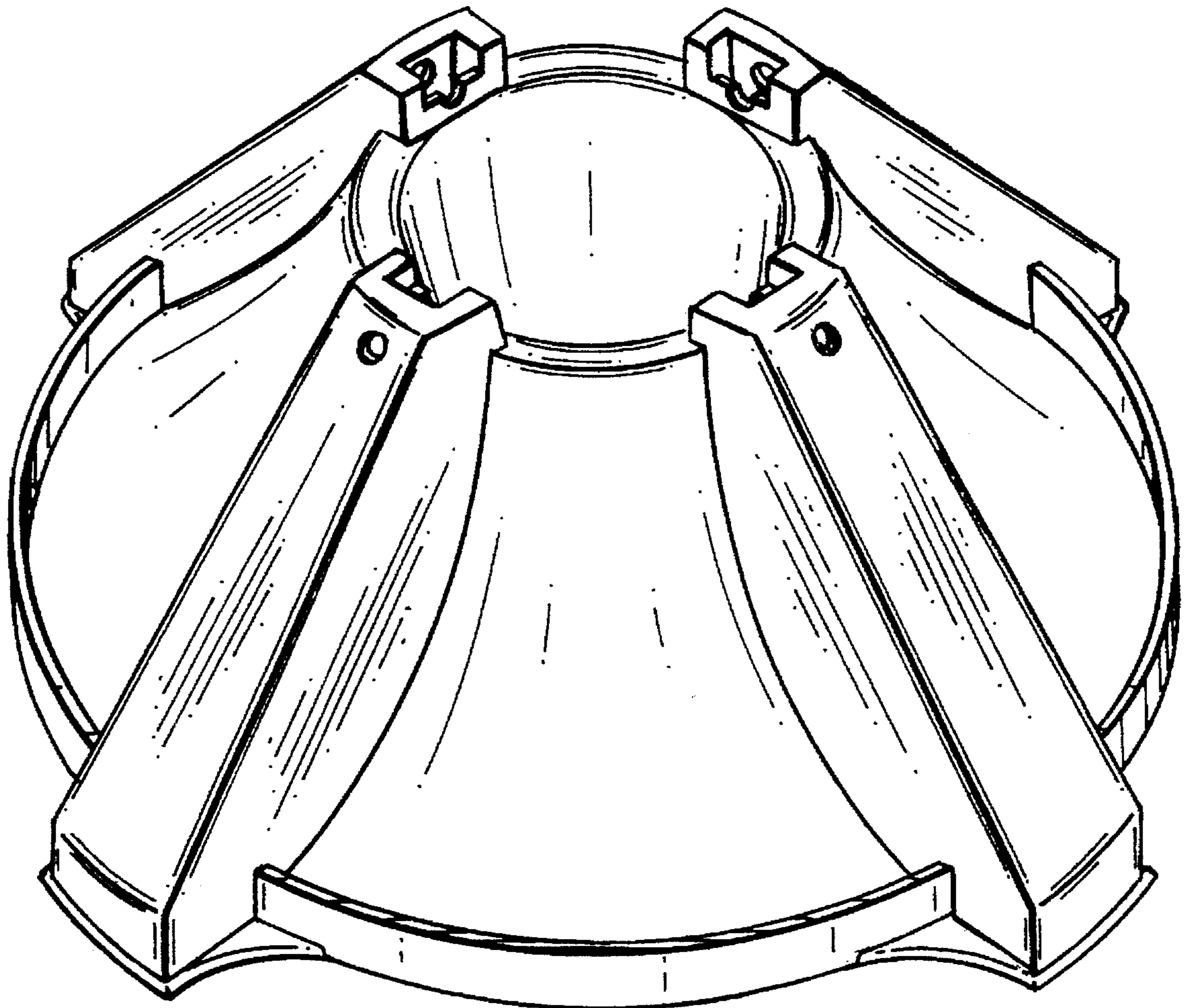
The ornamental design for Christmas tree stand, as shown and described.

### DESCRIPTION

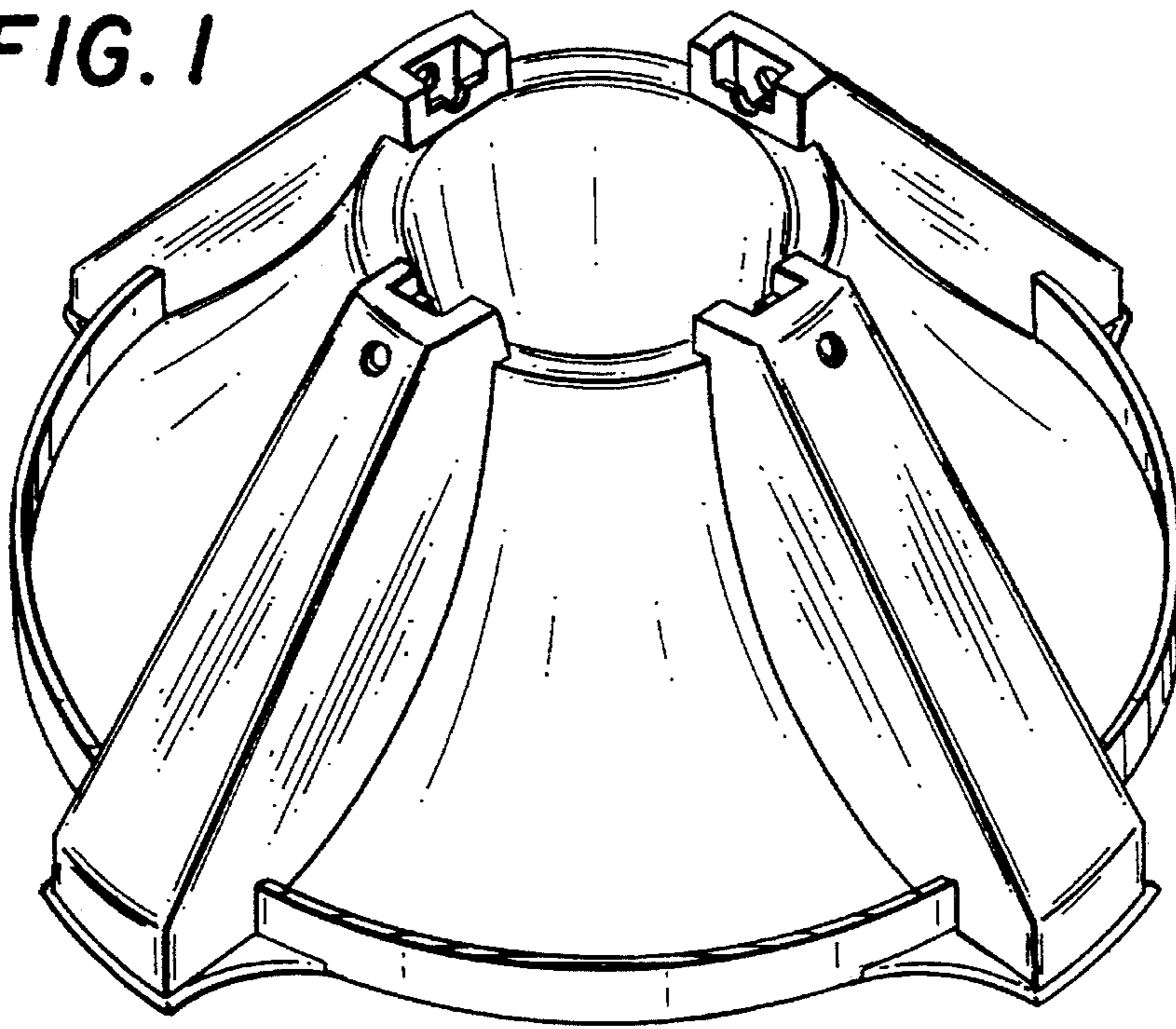
FIG. 1 is a top perspective view of the Christmas tree stand showing my new design;  
FIG. 2 is a top plan view showing my new design;  
FIG. 3 is a front elevational view thereof;  
FIG. 4 is a rear elevational view thereof; and,  
FIG. 5 is a bottom plan view thereof.

[56] **References Cited**  
U.S. PATENT DOCUMENTS  
D. 188,862 9/1960 Krastel ..... D11/130.1  
D. 234,991 4/1975 Olivier ..... D11/130.1  
D. 351,570 10/1994 Fillipp ..... D11/130.1  
2,044,192 6/1936 Templin, Jr. .  
2,493,633 1/1950 Mart .

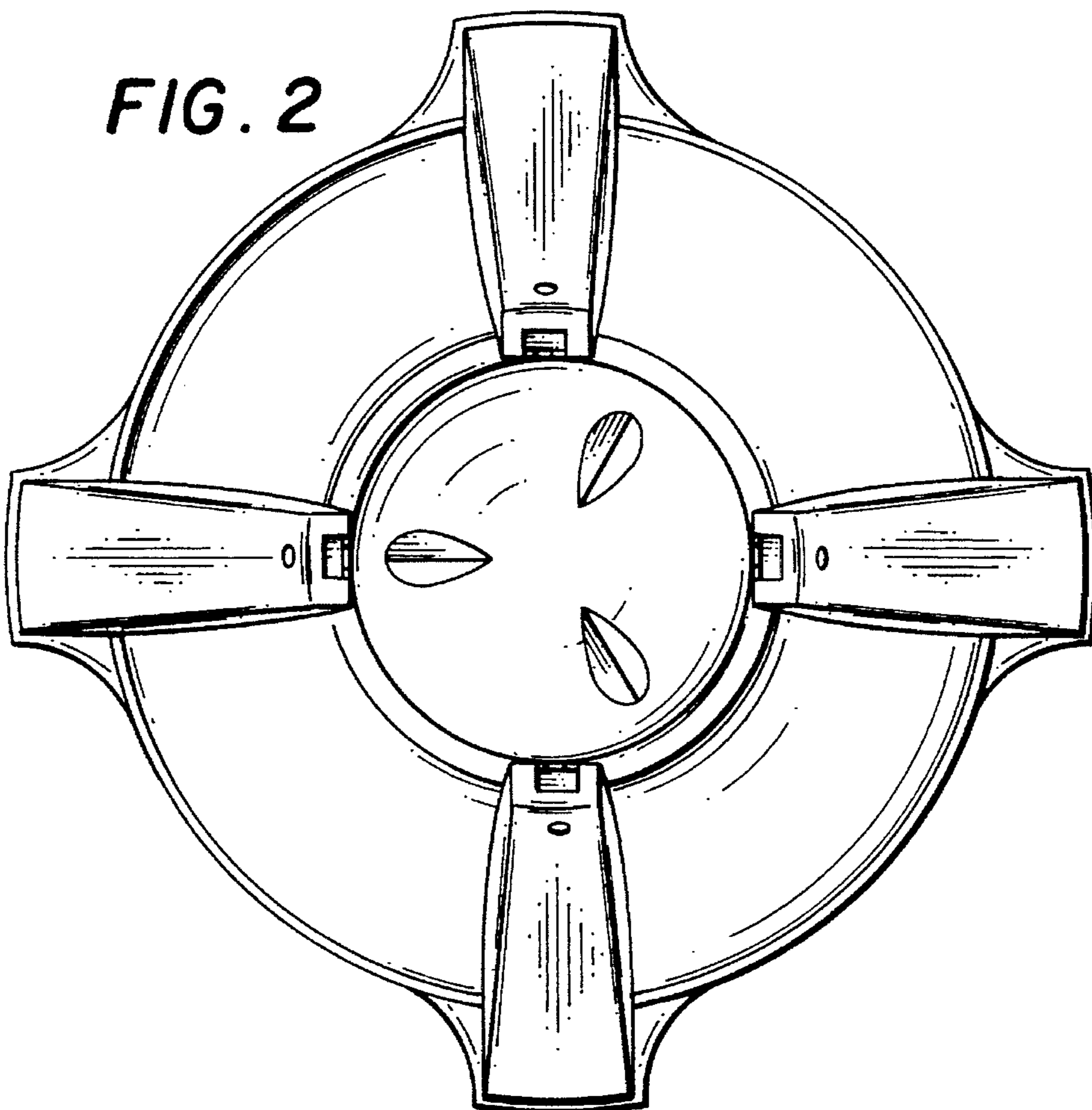
**1 Claim, 2 Drawing Sheets**



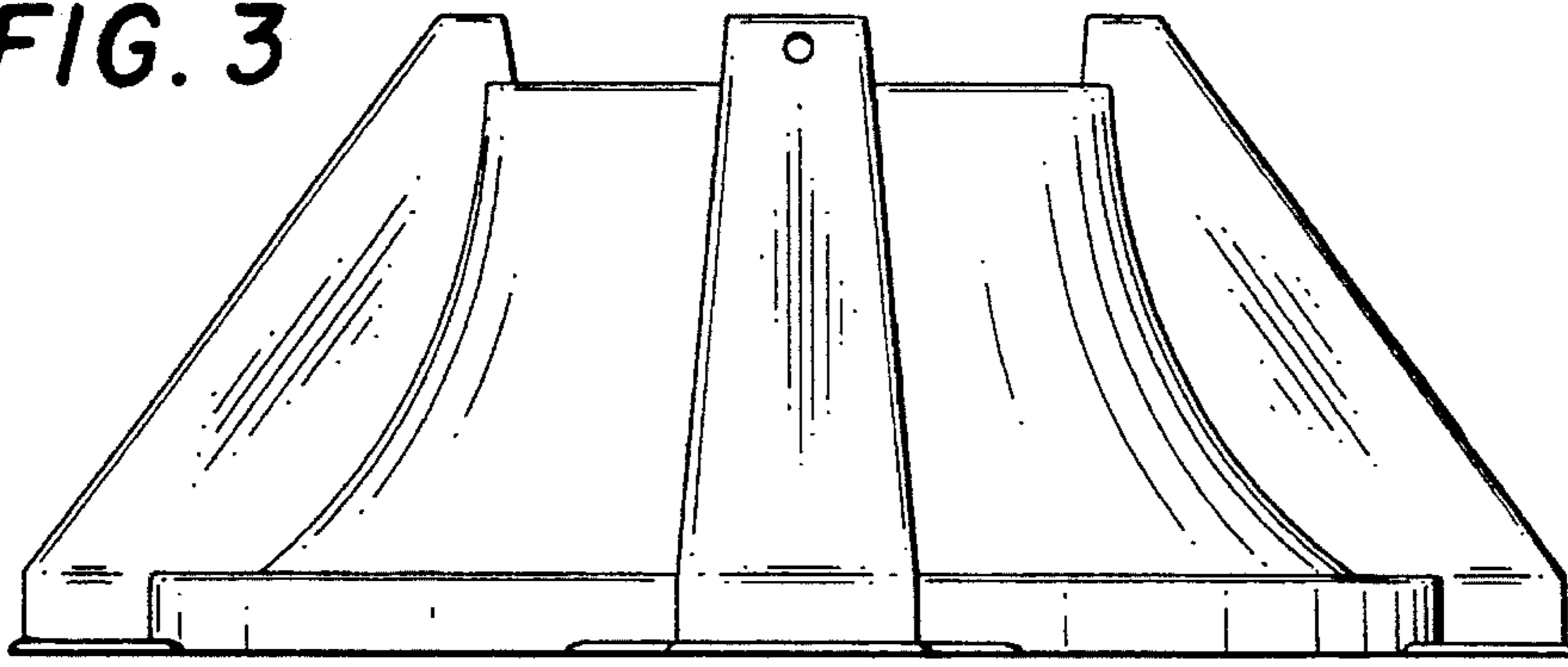
**FIG. 1**



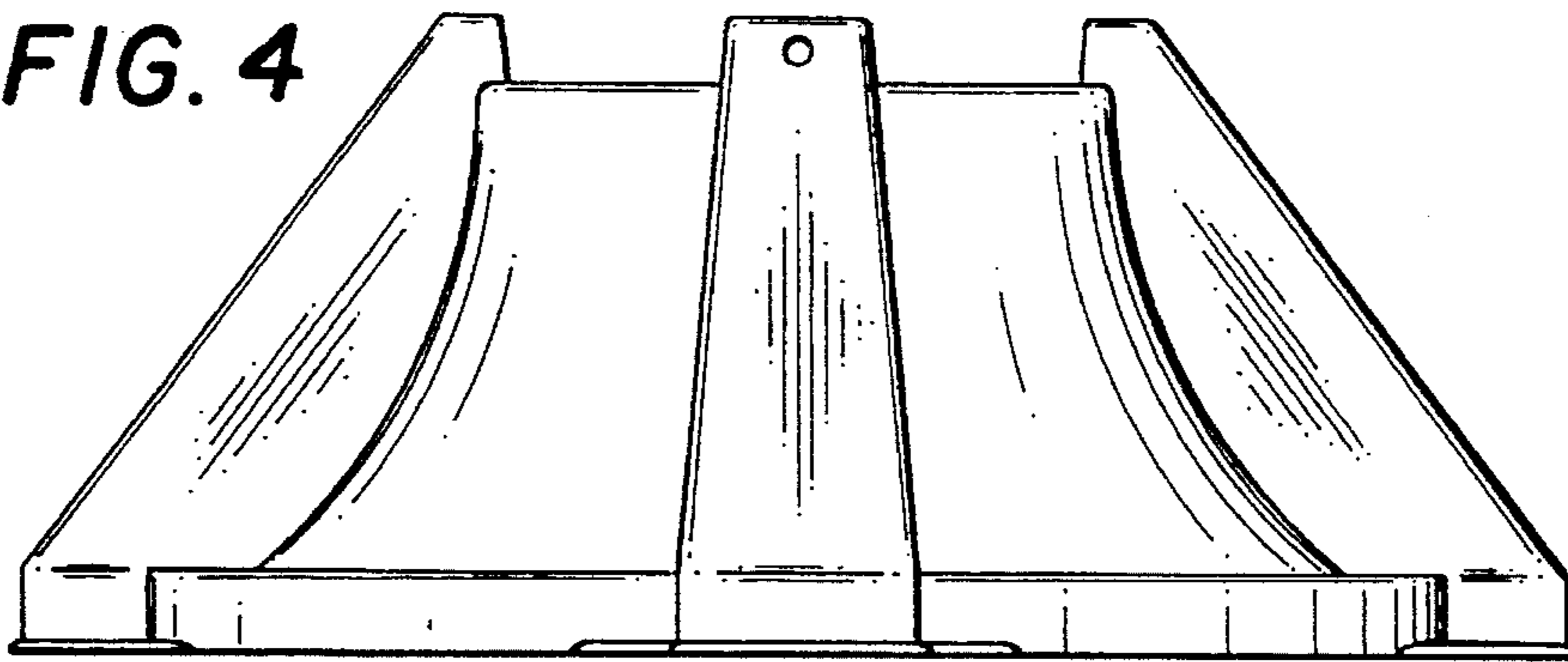
**FIG. 2**



**FIG. 3**



**FIG. 4**



**FIG. 5**

