



US00D364814S

United States Patent [19] Laib

[11] Patent Number: **Des. 364,814**
[45] Date of Patent: ****Dec. 5, 1995**

[54] **BOX INSERT**
[75] Inventor: **Douglas M. Laib**, Kissimmee, Fla.
[73] Assignee: **Dart Industries Inc.**, Deerfield, Ill.
[**] Term: **14 Years**
[21] Appl. No.: **30,022**
[22] Filed: **Sep. 15, 1994**
[52] U.S. Cl. **D9/456**
[58] Field of Search D3/315; D7/538,
D7/543; D9/434, 455, 456, 499; D28/4;
206/45.11, 518, 561; 220/337, 500

4,343,412 10/1982 Wilcox et al. 220/337
4,591,056 6/1986 Groch .
4,776,477 10/1988 Walker 206/561
4,790,431 12/1988 Reel et al. .
5,117,879 6/1992 Brightbill .
5,295,742 3/1994 Knutson .

Primary Examiner—Alan P. Douglas
Assistant Examiner—Rob Spear
Attorney, Agent, or Firm—John A. Doninger

[57] **CLAIM**

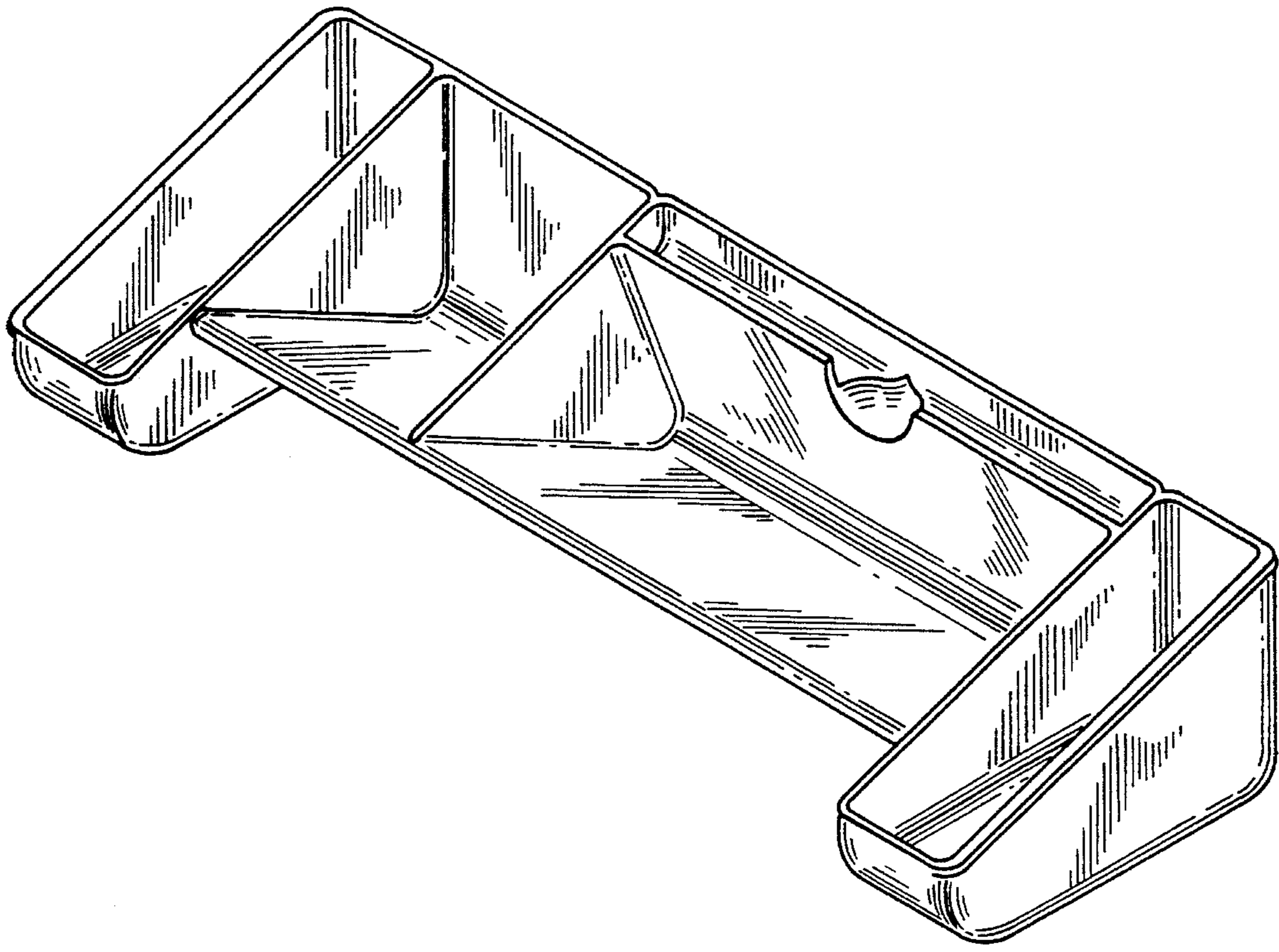
The ornamental design for a box insert, as shown.

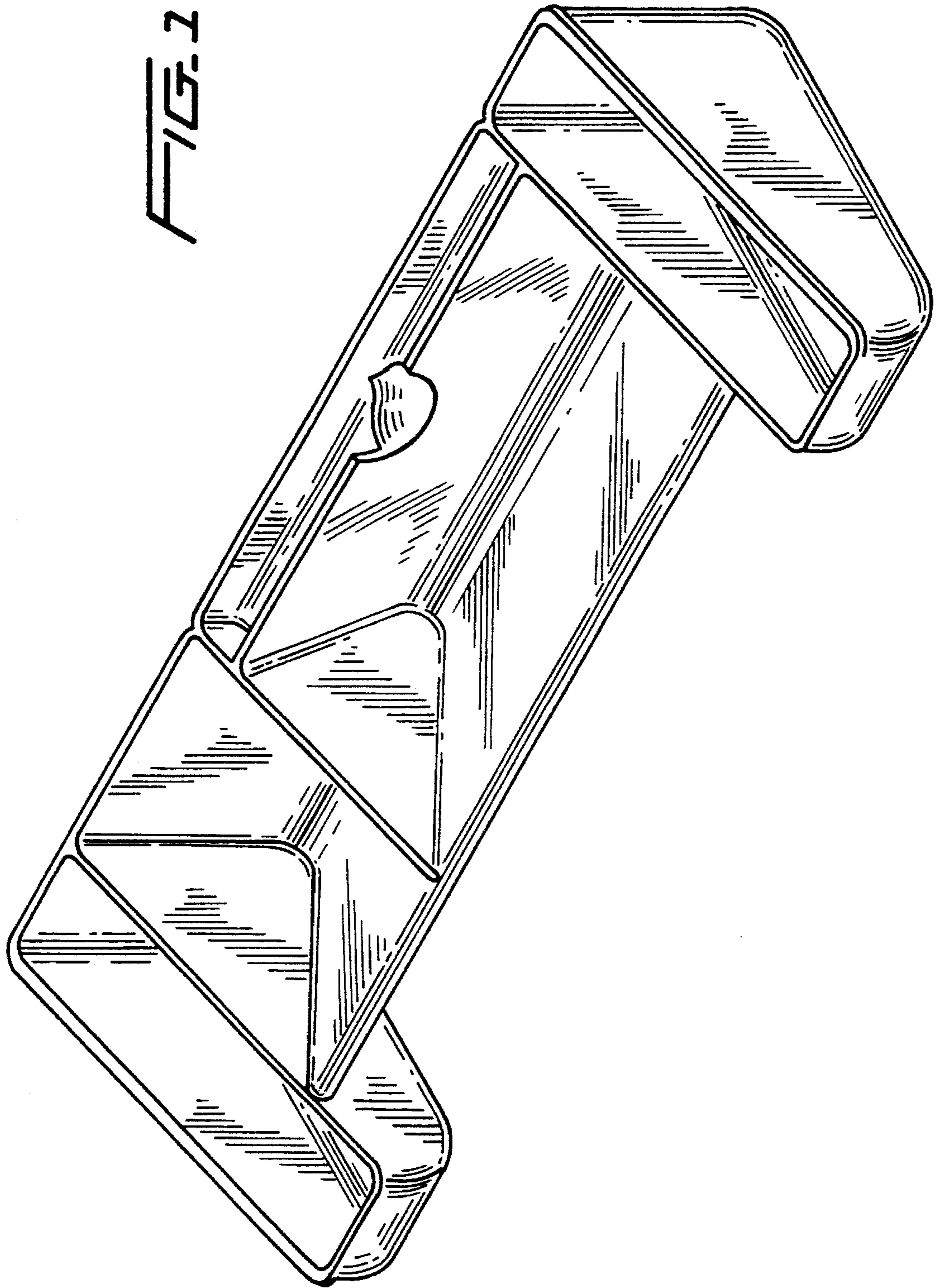
DESCRIPTION

FIG. 1 is top, front and side perspective view of a box insert showing my new design;
FIG. 2 is a top plan view thereof;
FIG. 3 is a bottom plan view thereof;
FIG. 4 is a front elevation view thereof;
FIG. 5 is a rear elevation view thereof;
FIG. 6 is a right side view thereof;
FIG. 7 is a left side view thereof;
FIG. 8 is a transverse section view thereof on line 8—8 in FIG. 2; and,
FIG. 9 is a longitudinal section view thereof on line 9—9 in FIG. 2.

[56] **References Cited**
U.S. PATENT DOCUMENTS
D. 43,109 10/1912 Sanford D7/543
D. 210,055 1/1968 Walker D28/4
D. 264,514 5/1982 Kordan D7/543
D. 282,516 2/1986 Otto D7/538
D. 329,982 10/1992 Young D9/456
D. 340,012 10/1993 Azzarelli D3/315
D. 343,285 1/1994 Ancona et al. D3/315
551,009 12/1895 Tebbetts 206/561
1,041,496 10/1912 Light 206/45.11
1,383,570 7/1921 Schnell 206/561
1,875,695 7/1929 Beard et al. .
2,738,872 6/1954 De Boton .

1 Claim, 4 Drawing Sheets





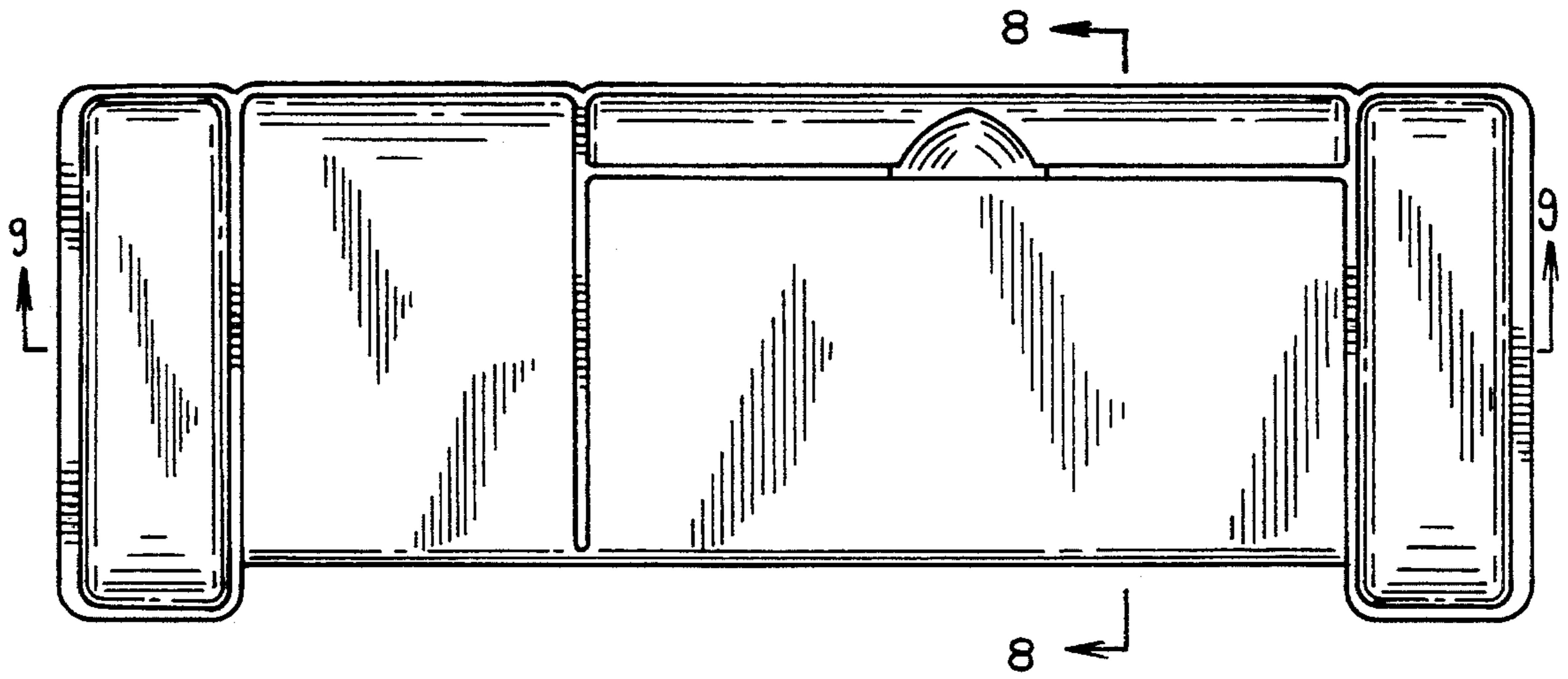


FIG. 2

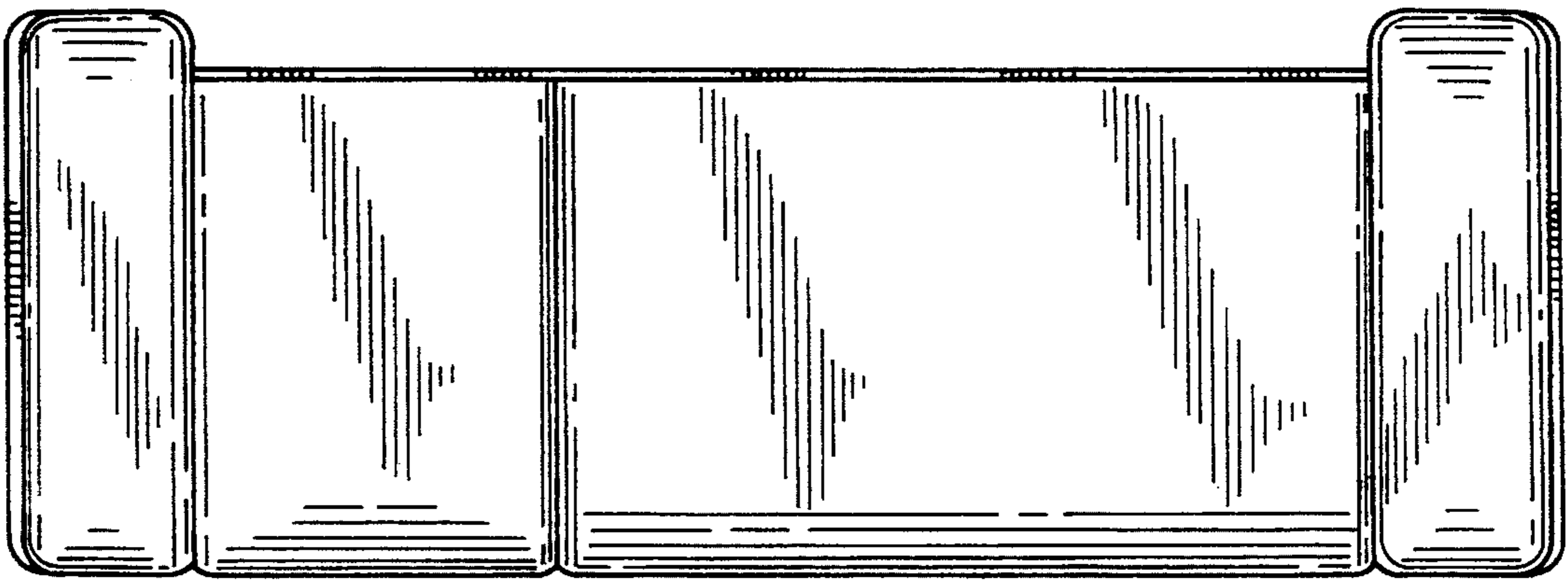


FIG. 3

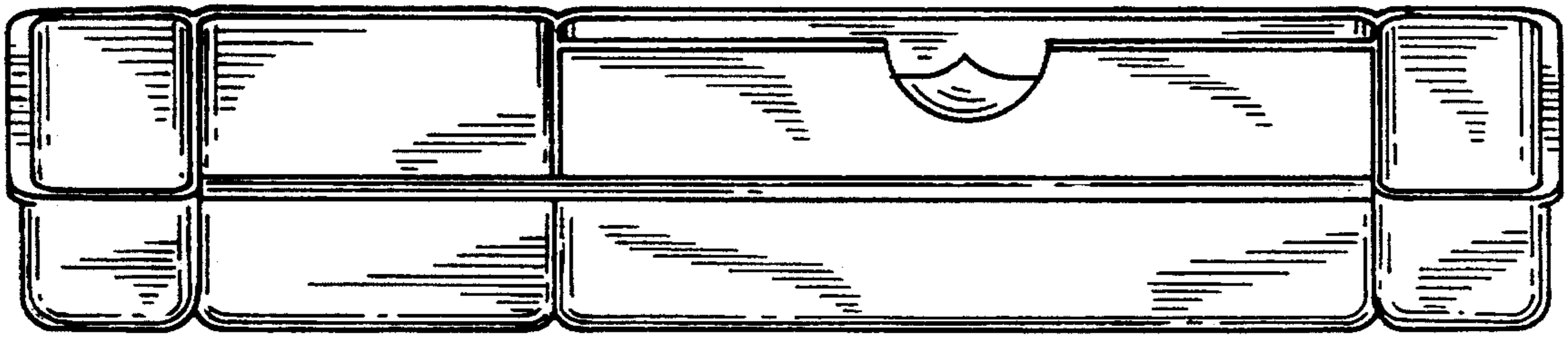


FIG. 4

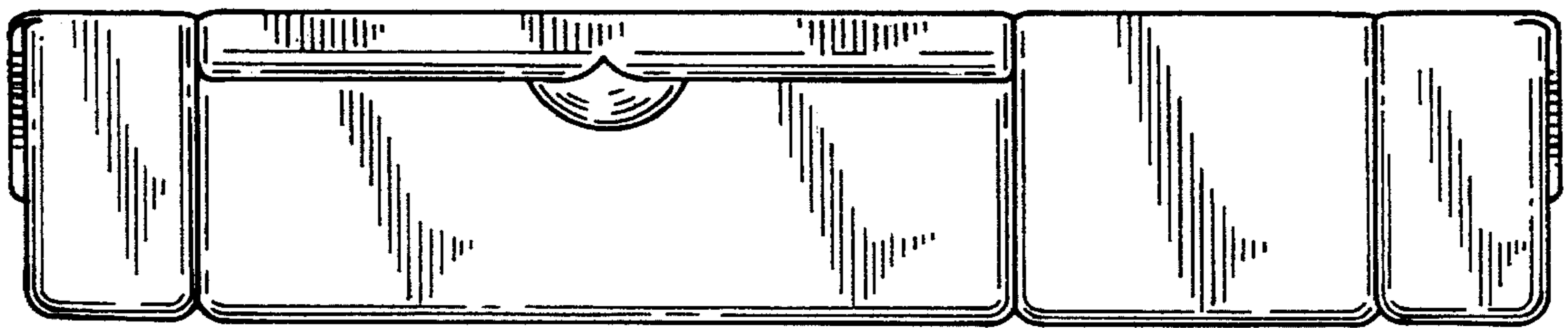


FIG. 5

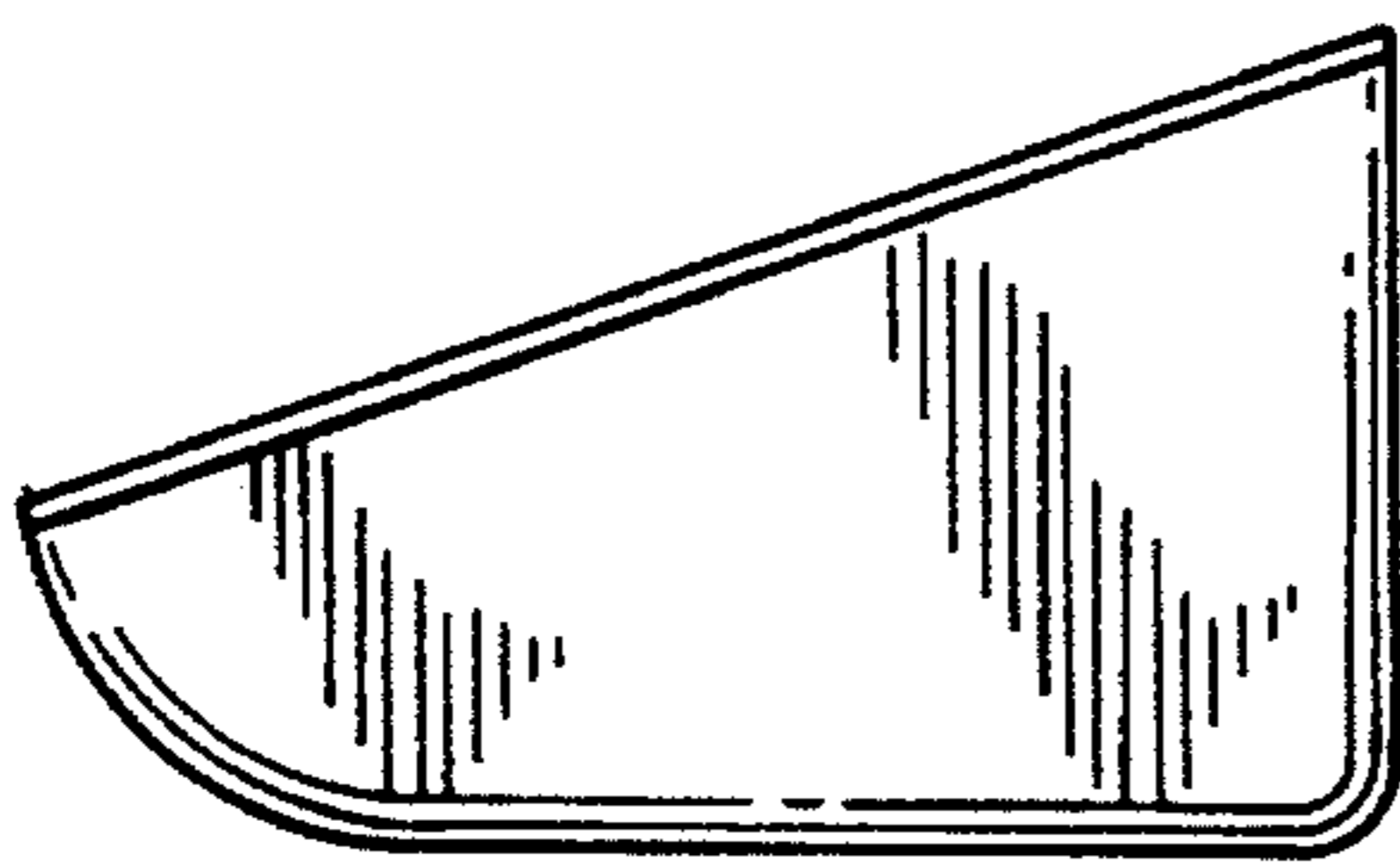


FIG. 6

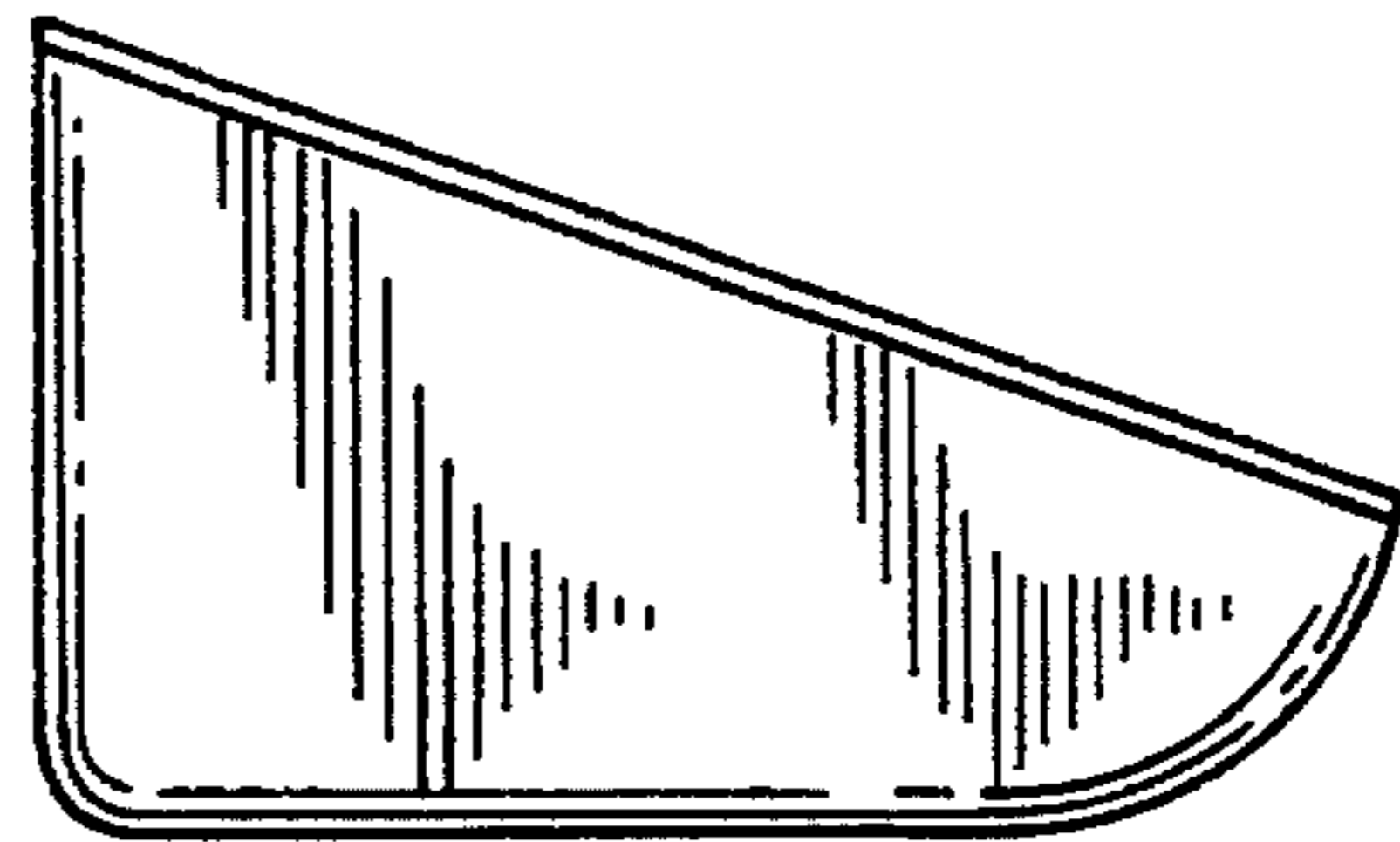


FIG. 7

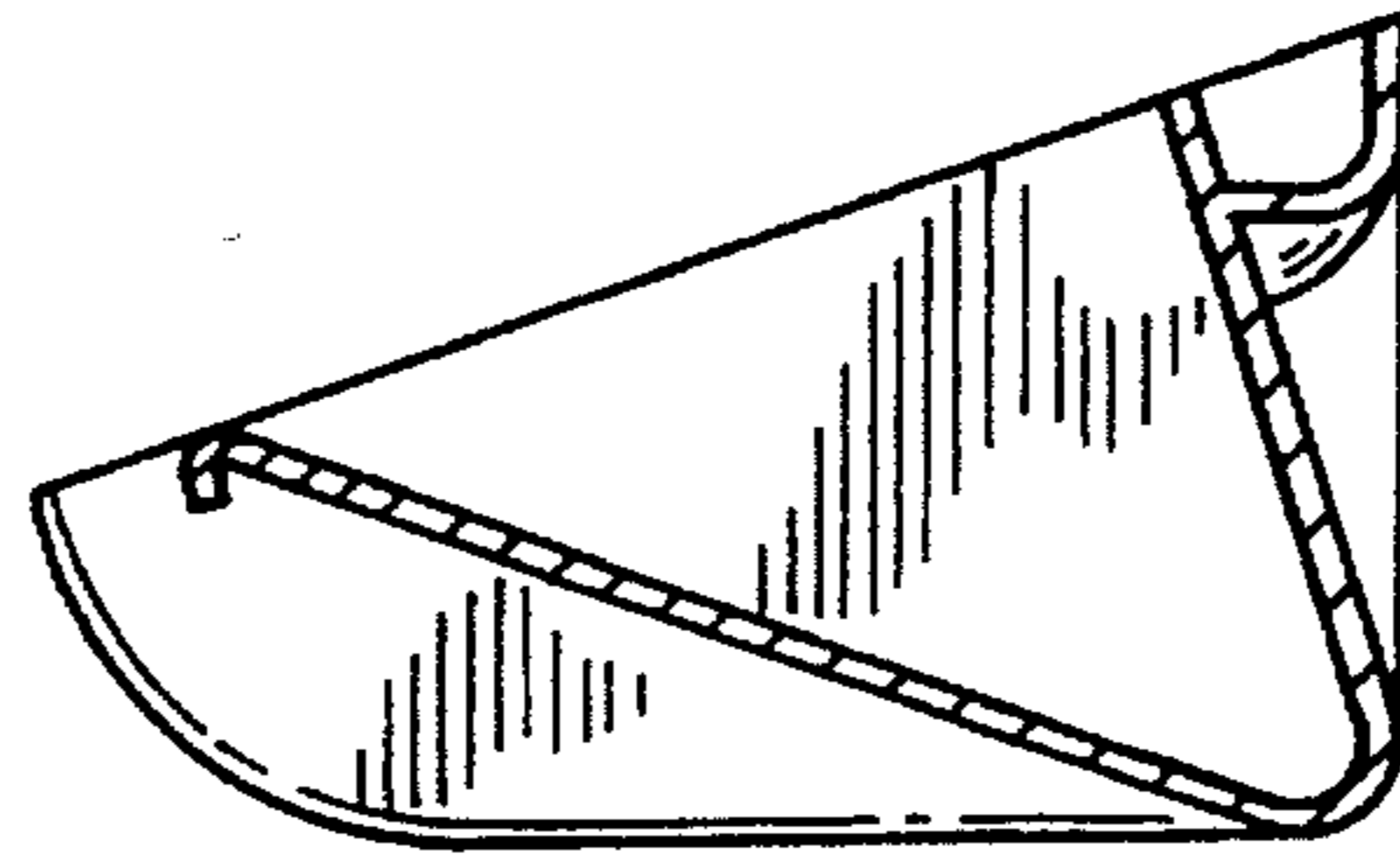


FIG. 8

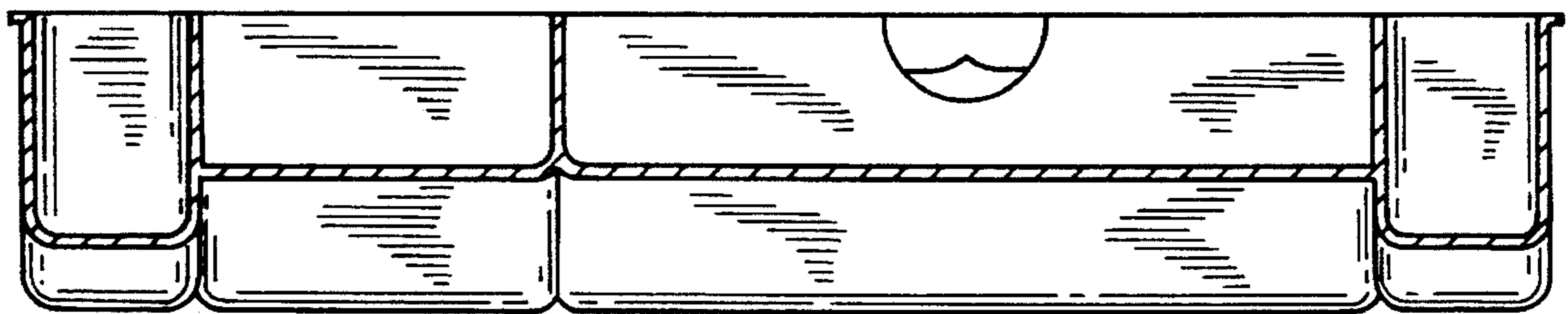


FIG. 9