



US00D364811S

United States Patent [19]
Zimmerhackel et al.

[11] **Patent Number:** **Des. 364,811**
[45] **Date of Patent:** ****Dec. 5, 1995**

[54] **ACTUATOR CAP FOR A FOAM SPRAY CAN** 3,032,803 5/1962 Walshauser D9/436

[75] Inventors: **Franz Zimmerhackel**, Hattersheim;
Rainer Kuplien; **Kai Bauer**, both of
Mainz, all of Germany

Primary Examiner—Alan P. Douglas
Assistant Examiner—Rob Spear
Attorney, Agent, or Firm—Kilgannon & Steidl

[73] Assignee: **Deutsche Prazisions Ventil GmbH**,
Hattersheim/Main, Germany

[57] **CLAIM**

[**] Term: **14 Years**

The ornamental design for actuator cap for a foam spray can,
as shown.

[21] Appl. No.: **30,957**

DESCRIPTION

[22] Filed: **Nov. 14, 1994**

[30] **Foreign Application Priority Data**

May 16, 1994 [XH] Hague Agreement DM/029 602

[52] **U.S. Cl.** **D9/448**

[58] **Field of Search** D9/434-436, 440,
D9/443-448, 449, 454, 338; 220/337-338,
375, 915; 222/190, 402.1, 402.23, 480-481,
485, 545, 631; 239/548, 550

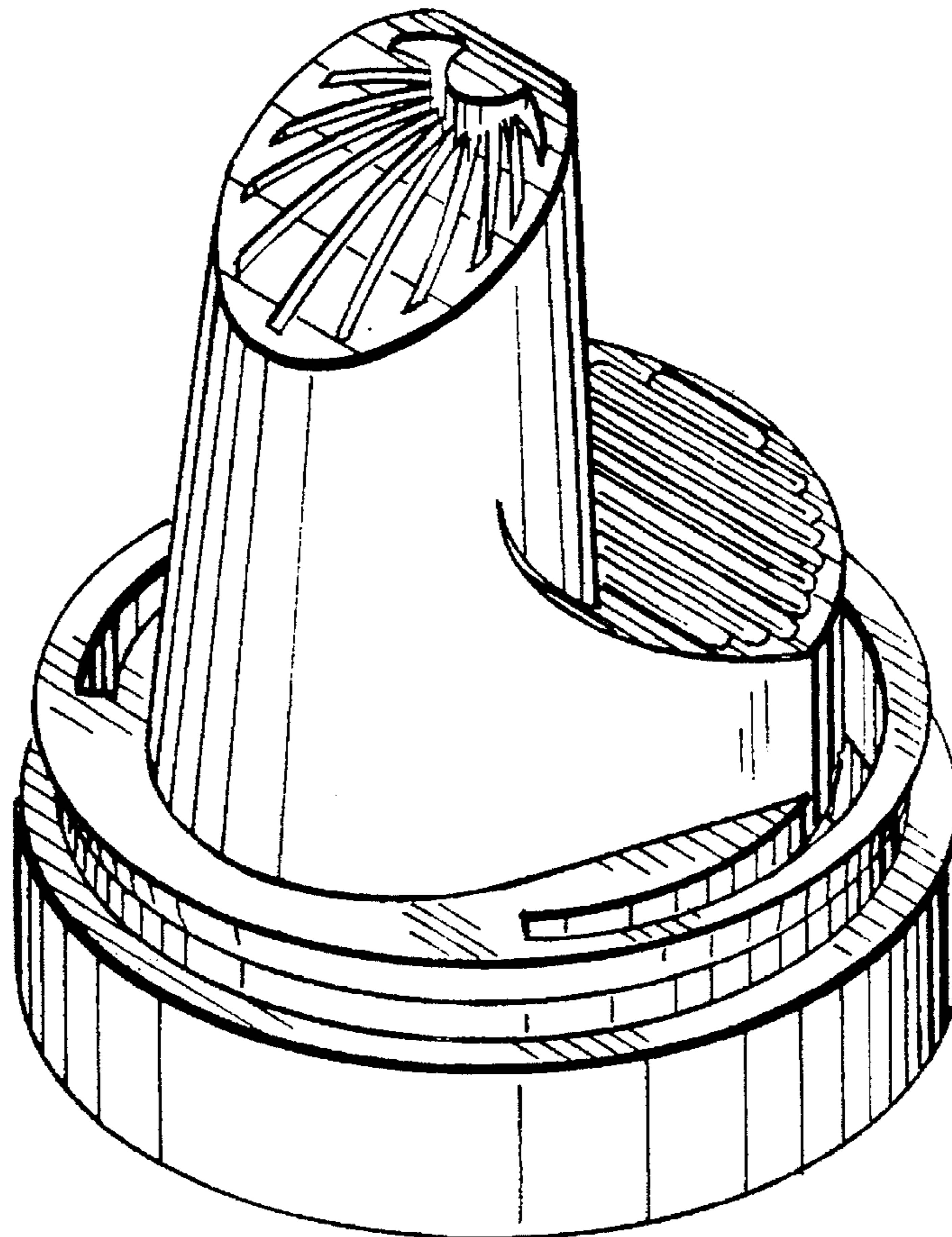
FIG. 1 is a perspective view of an actuator cap for a foam
spray can showing our new design;
FIG. 2 is a top plan view thereof;
FIG. 3 is a front view thereof;
FIG. 4 is a left side view thereof;
FIG. 5 is a right side view thereof;
FIG. 6 is a rear view thereof; and,
FIG. 7 is a plan view of the underside thereof.

[56] **References Cited**

U.S. PATENT DOCUMENTS

D. 208,174 7/1967 Carveth D9/436

1 Claim, 2 Drawing Sheets



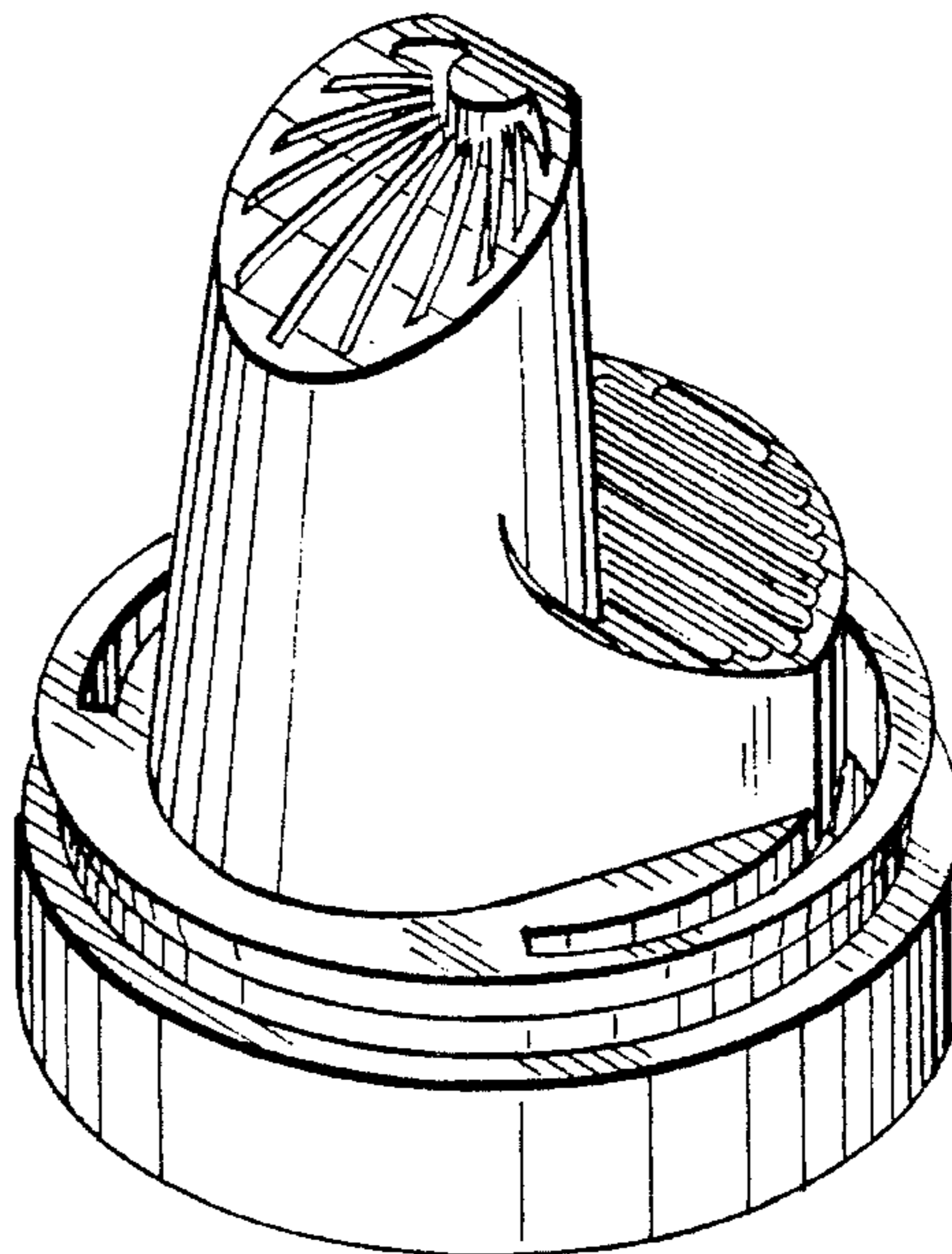


FIG. 1

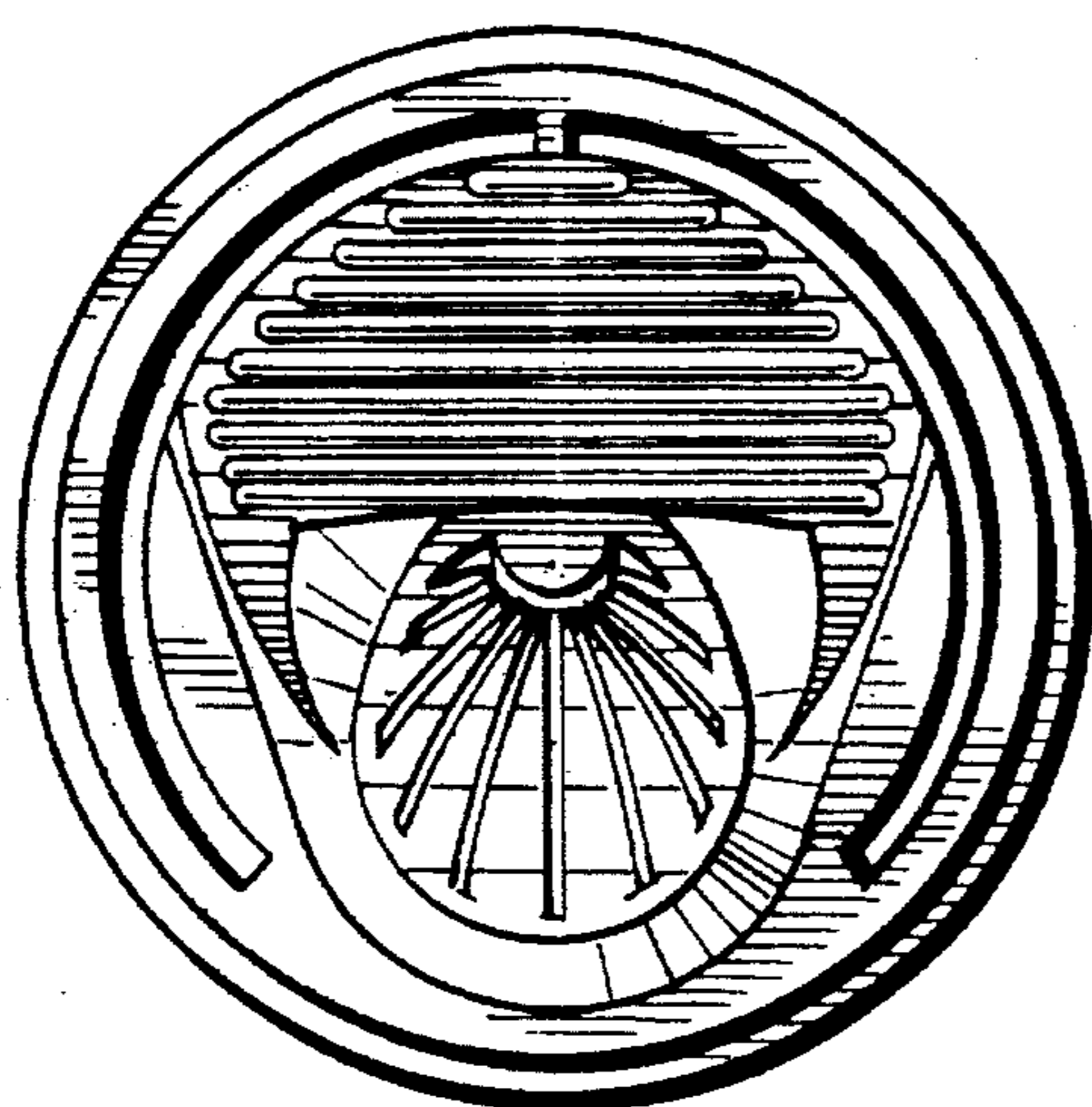


FIG. 2

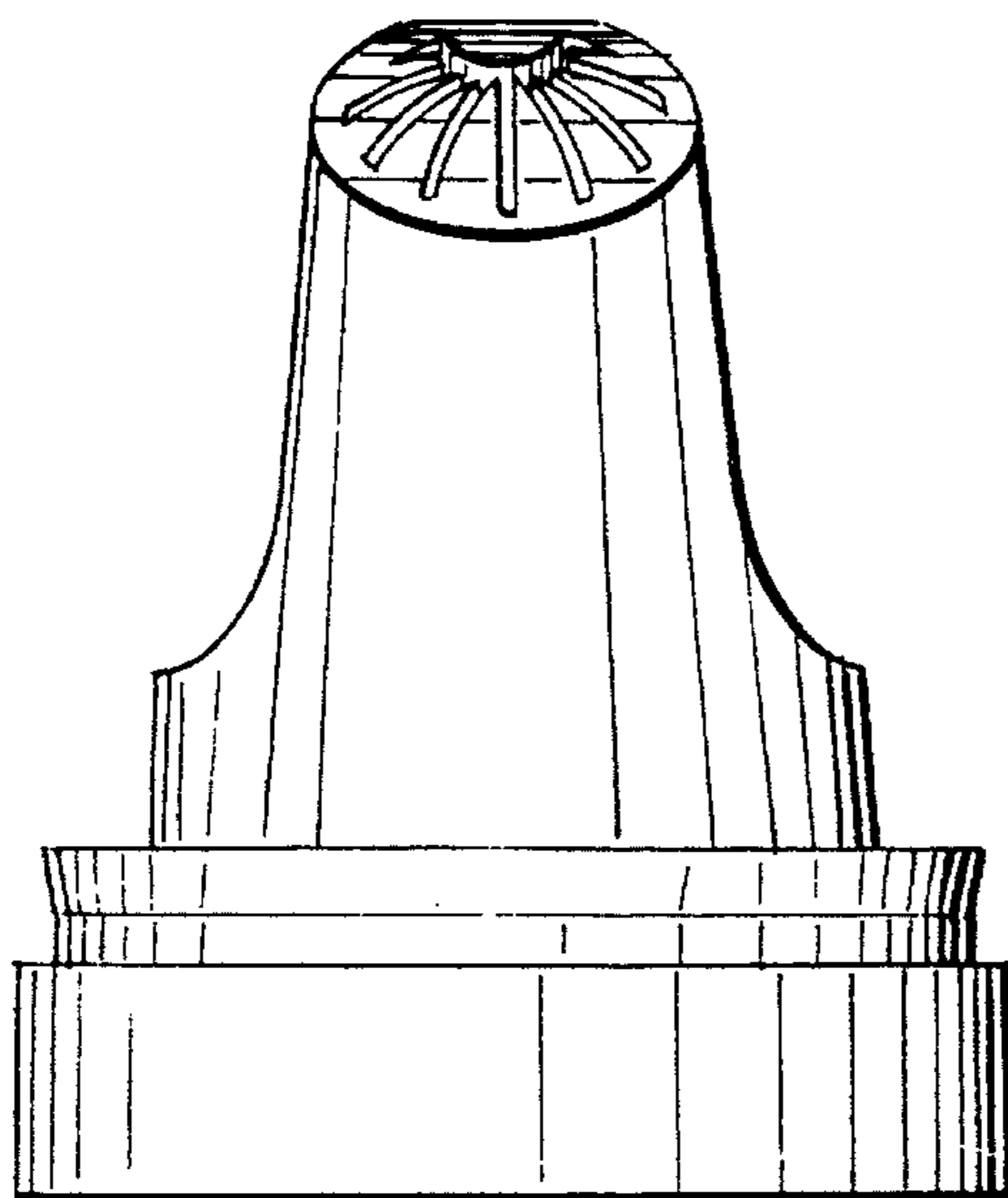


FIG. 3

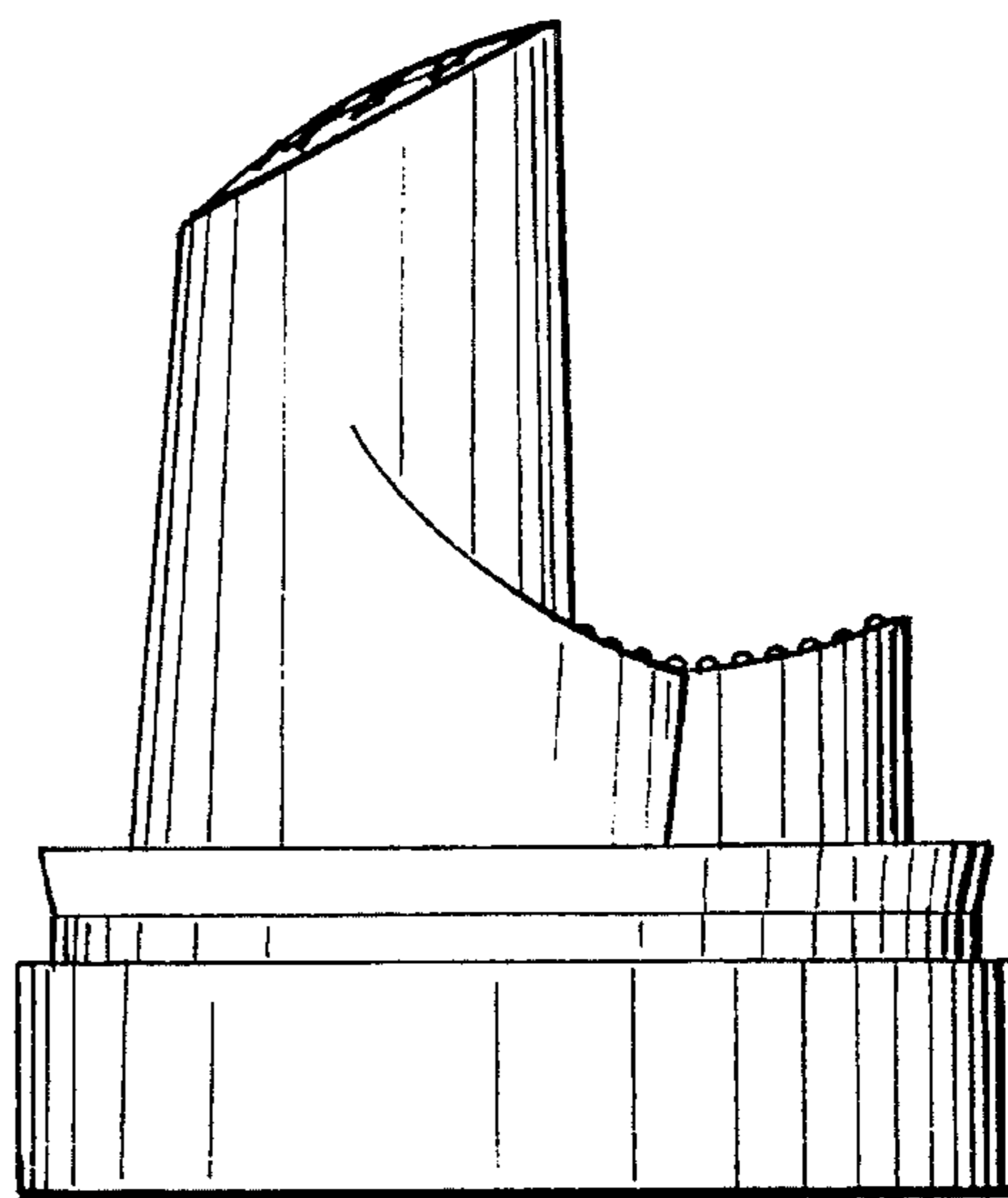


FIG. 4

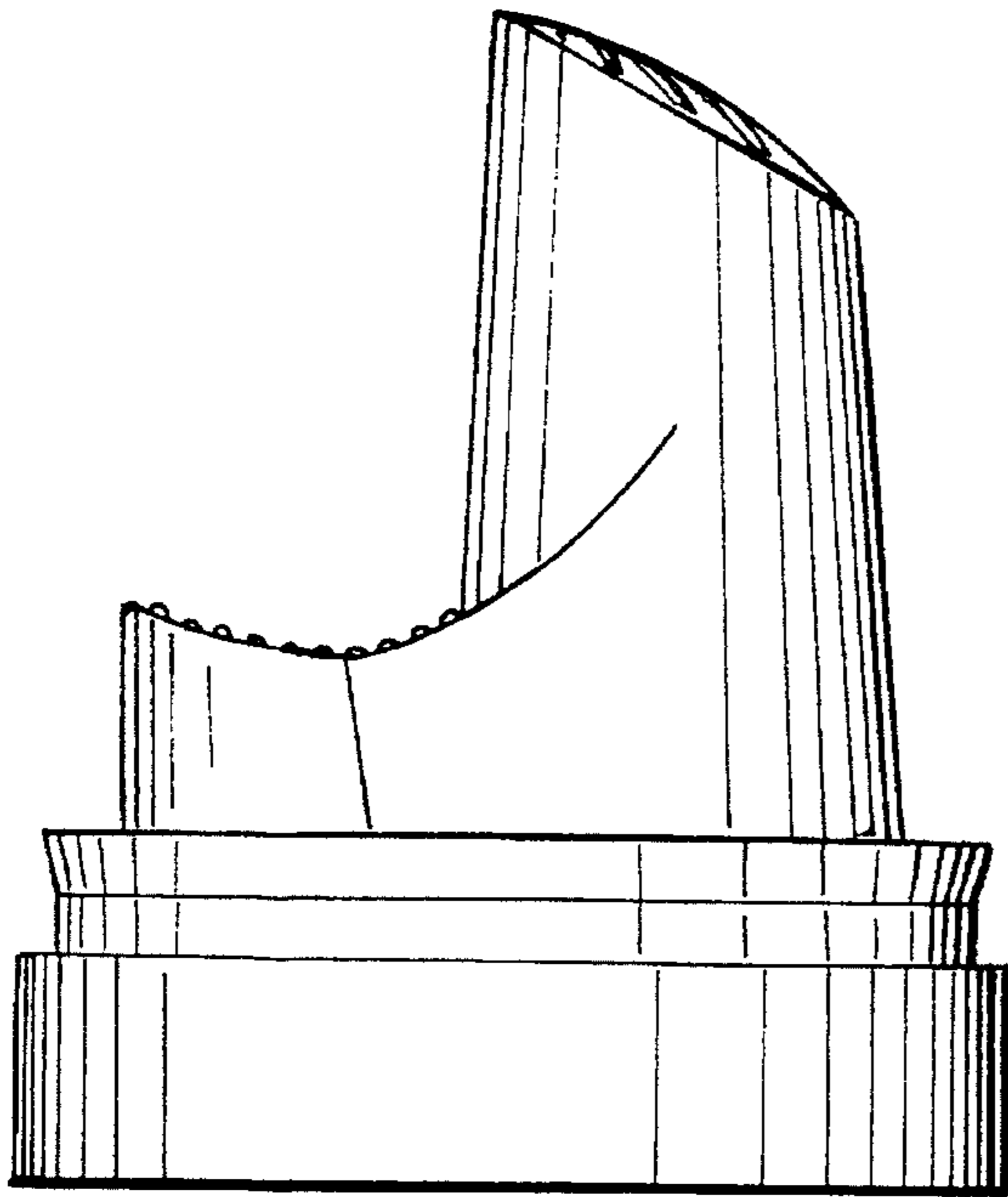


FIG. 5

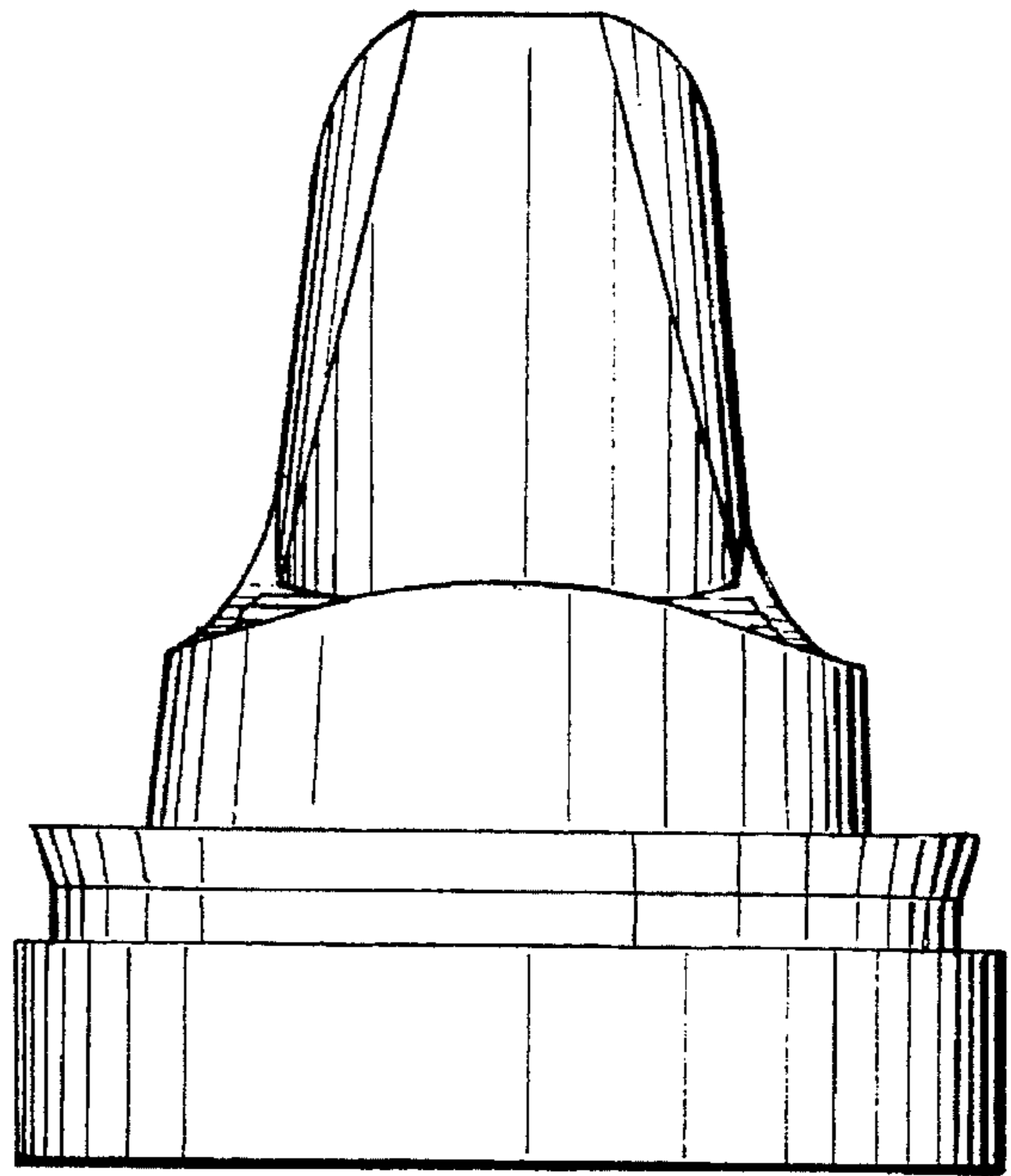


FIG. 6

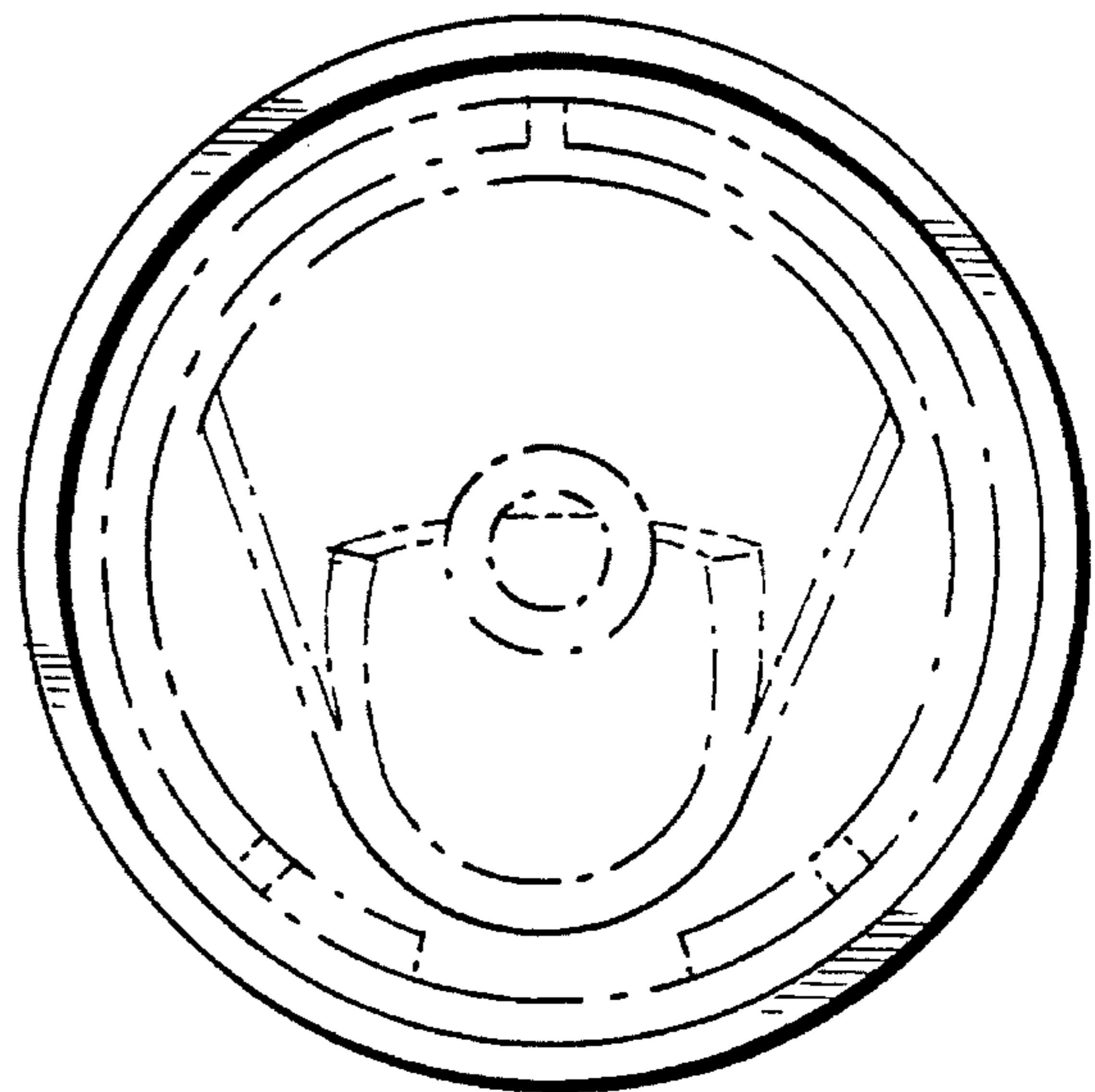


FIG. 7