



US00D364810S

United States Patent [19]

Meisner

[11] Patent Number: **Des. 364,810**

[45] Date of Patent: ****Dec. 5, 1995**

[54] **POUR CAP**

[75] Inventor: **Edward H. Meisner**, Short Hills, N.J.

[73] Assignee: **Eagle Affiliates, Inc.**, Harrison, N.J.

[**] Term: **14 Years**

[21] Appl. No.: **31,816**

[22] Filed: **Dec. 6, 1994**

[52] U.S. Cl. **D9/446**

[58] Field of Search D7/321; D9/434-435, D9/440, 443-449, 453-454, 338; 206/504; 215/211, 224, 235; 220/249-250, 337, 375

[56] **References Cited**

U.S. PATENT DOCUMENTS

D. 174,205	3/1955	Ward	D9/446
D. 179,159	11/1956	Sanborn	D9/447
D. 197,926	4/1964	Stull	D9/446
D. 267,855	2/1983	French	D9/434
D. 270,521	9/1983	Morris	D9/443
D. 277,736	2/1985	Long	D9/443
D. 286,750	11/1986	Hamilton et al.	D9/446
D. 292,882	11/1987	Gross	D9/449
D. 297,598	9/1988	Stull	D9/446
D. 306,701	3/1990	Beck	D9/446
D. 321,624	11/1991	Fiore et al.	D7/321
D. 324,822	3/1992	Brabeck et al.	D9/446
3,434,620	3/1969	Laurizio	D9/446
3,465,925	5/1969	Bertolli	D9/440

4,022,352	5/1977	Pehr	215/211
4,133,445	1/1979	Mandelbaum	206/504
4,448,316	5/1984	Hiroshige	D9/440 X
5,078,296	1/1992	Amidzich	220/337
5,397,013	3/1995	Adams et al.	220/256

FOREIGN PATENT DOCUMENTS

1442216	7/1976	United Kingdom	215/209
---------	--------	----------------------	---------

Primary Examiner—Alan P. Douglas
Assistant Examiner—Robert M. Spear
Attorney, Agent, or Firm—Caesar, Rivise, Bernstein, Cohen & Pokotilow, Ltd.

[57] CLAIM

The ornamental design for a pour cap, as shown and described.

DESCRIPTION

FIG. 1 is a perspective view of the pour cap of the present invention;
FIG. 2 is a top view of the pour cap of the present invention;
FIG. 3 is a side view of the pour cap of the present invention;
FIG. 4 is a front view of the pour cap of the present invention;
FIG. 5 is a rear view of the pour cap of the present invention;
FIG. 6 is a bottom view of the pour cap of the present invention; and,
FIG. 7 is a perspective view of the pour cap of the present invention shown in the open position.

1 Claim, 3 Drawing Sheets

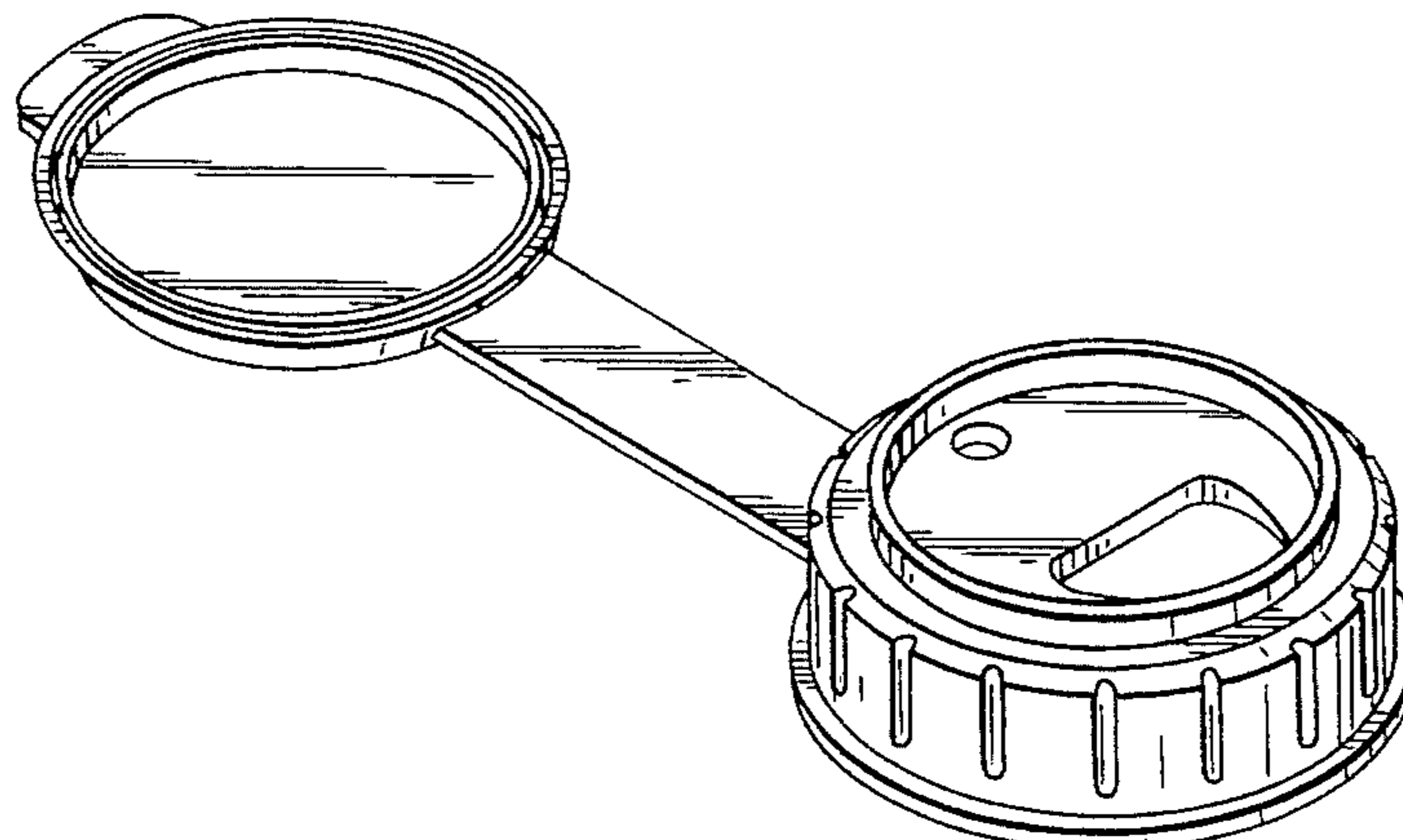
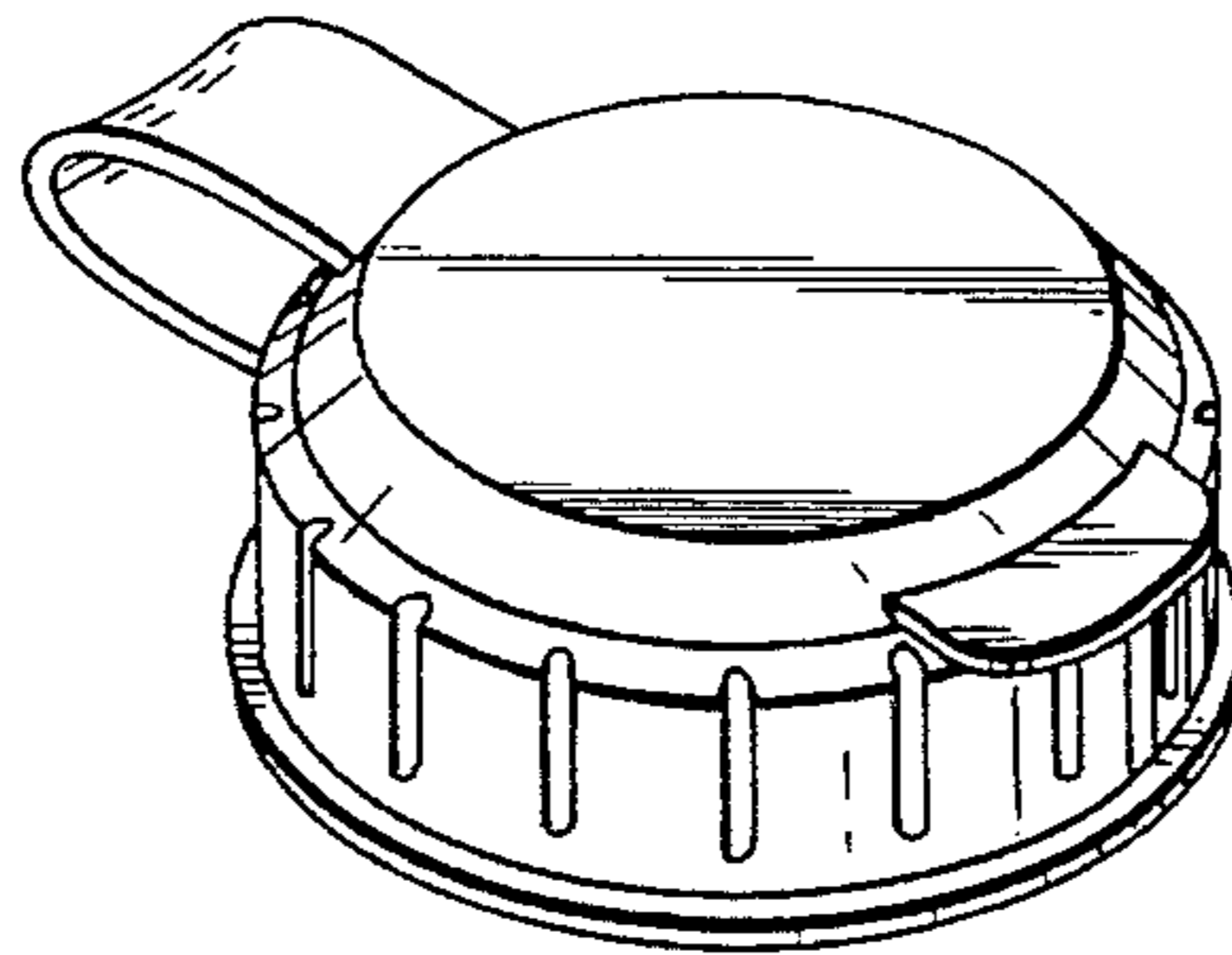


FIG. 1

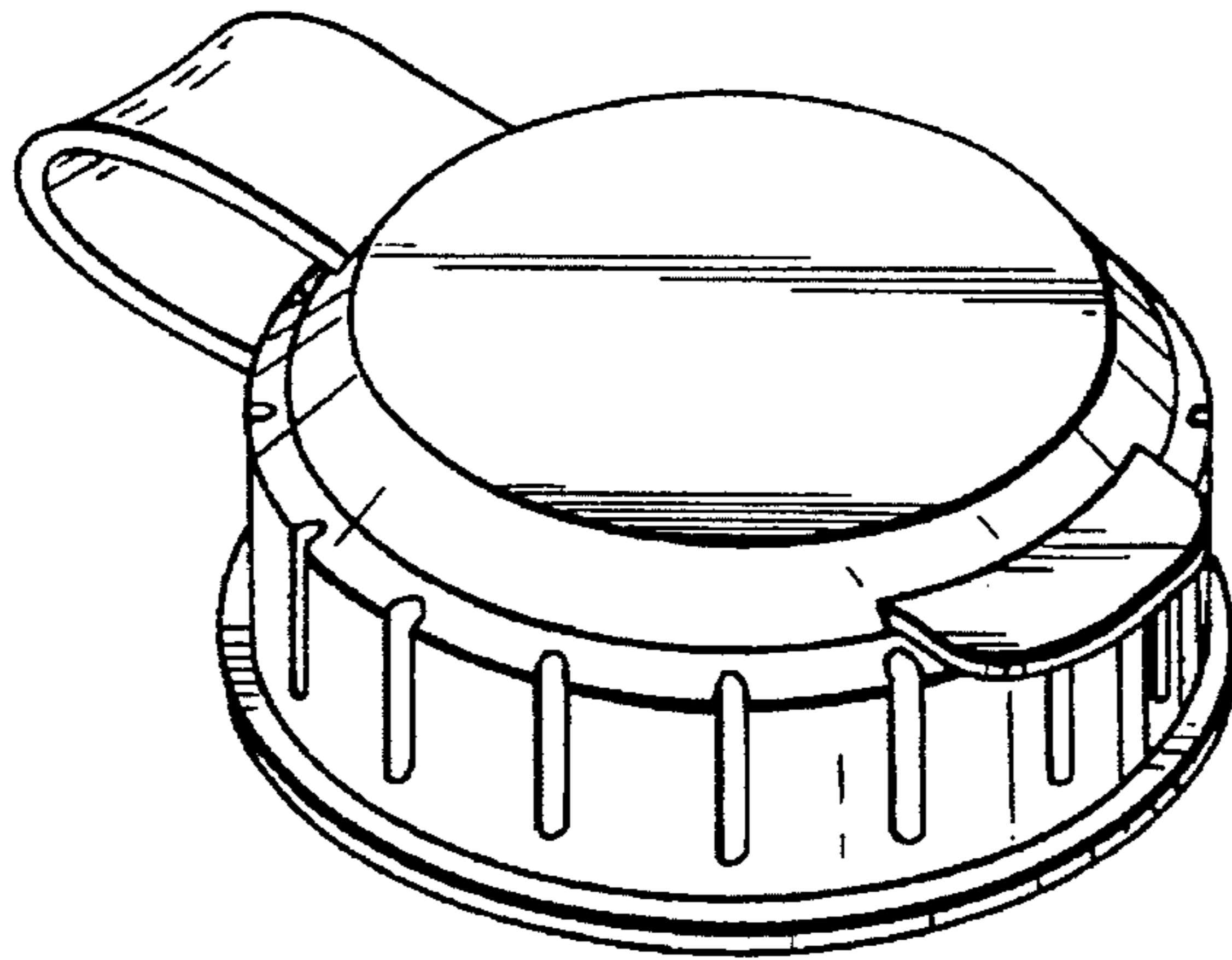


FIG. 2

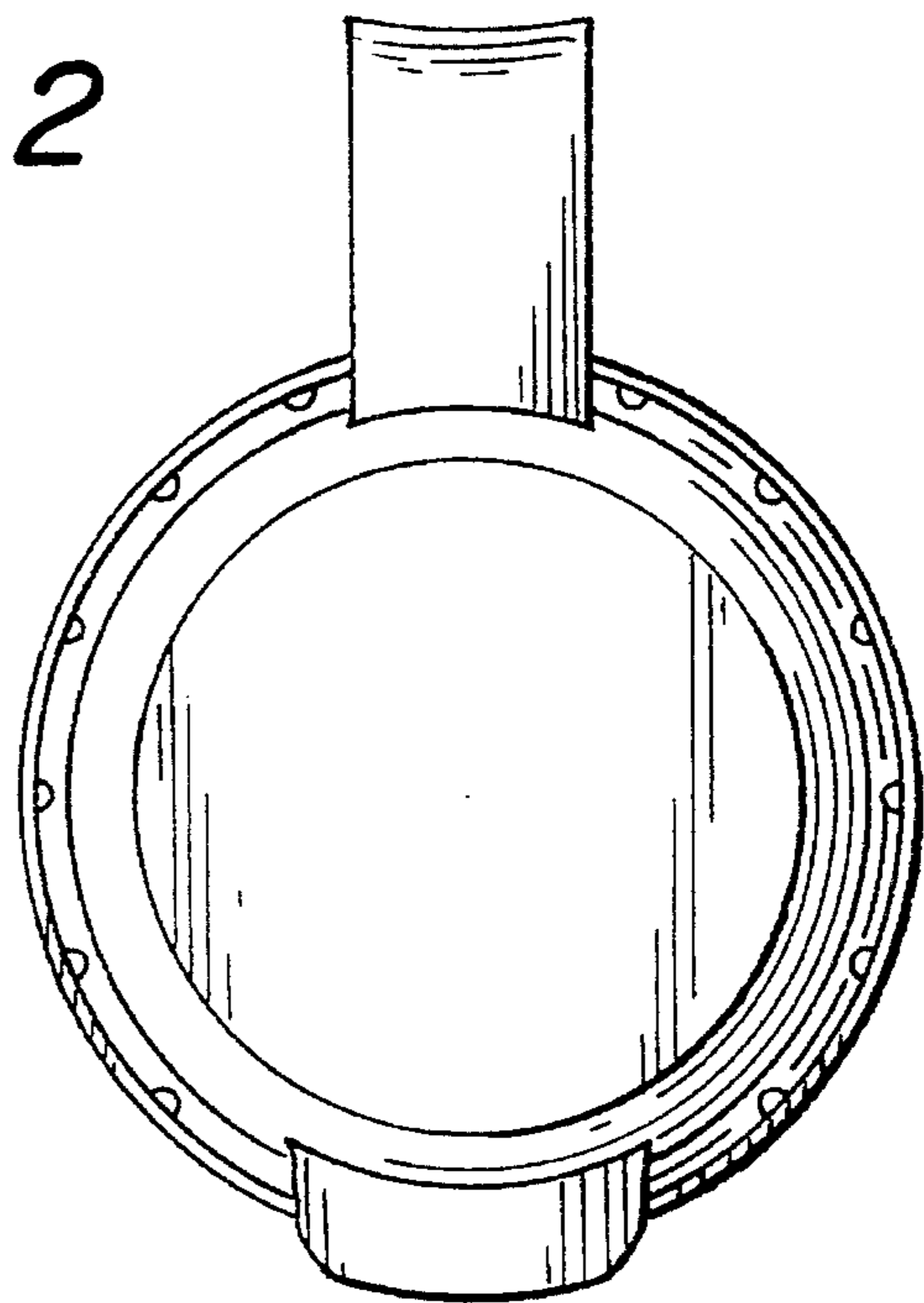


FIG. 3

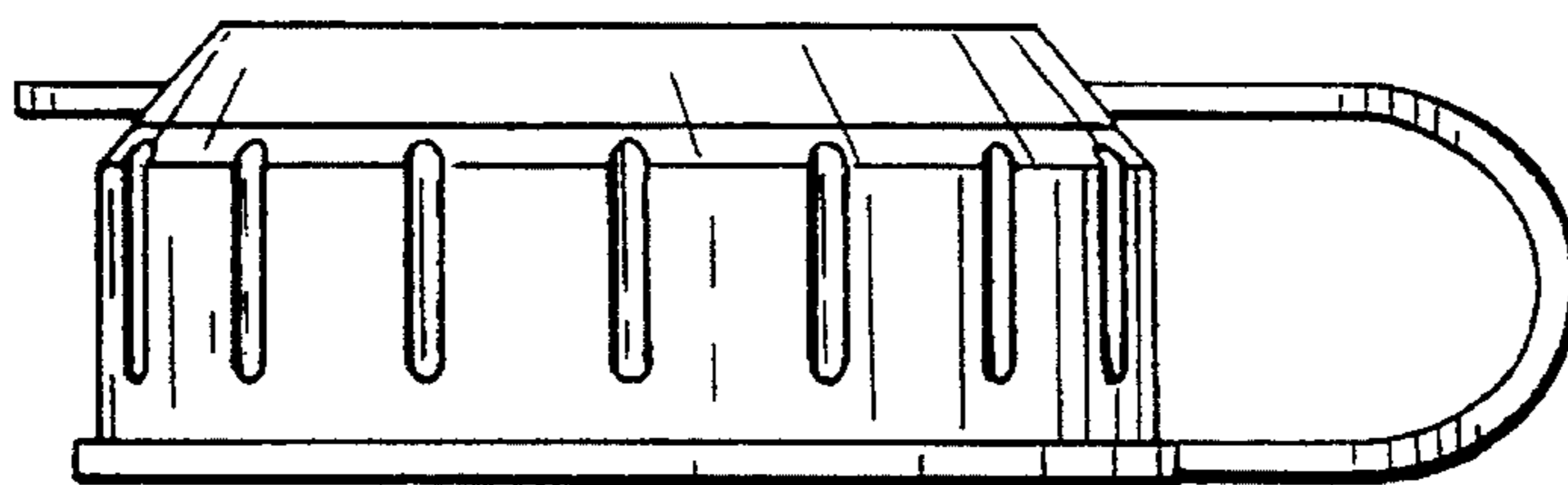


FIG. 4

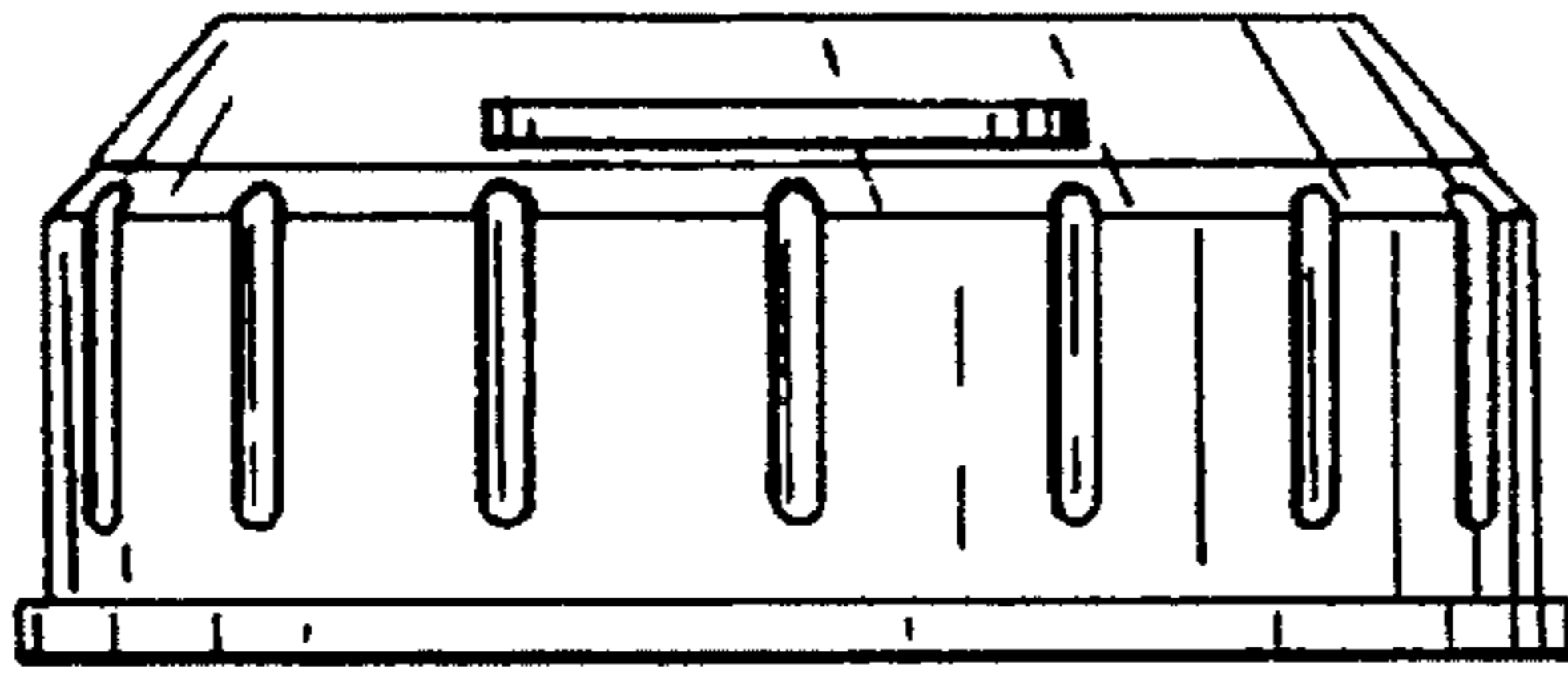


FIG. 5

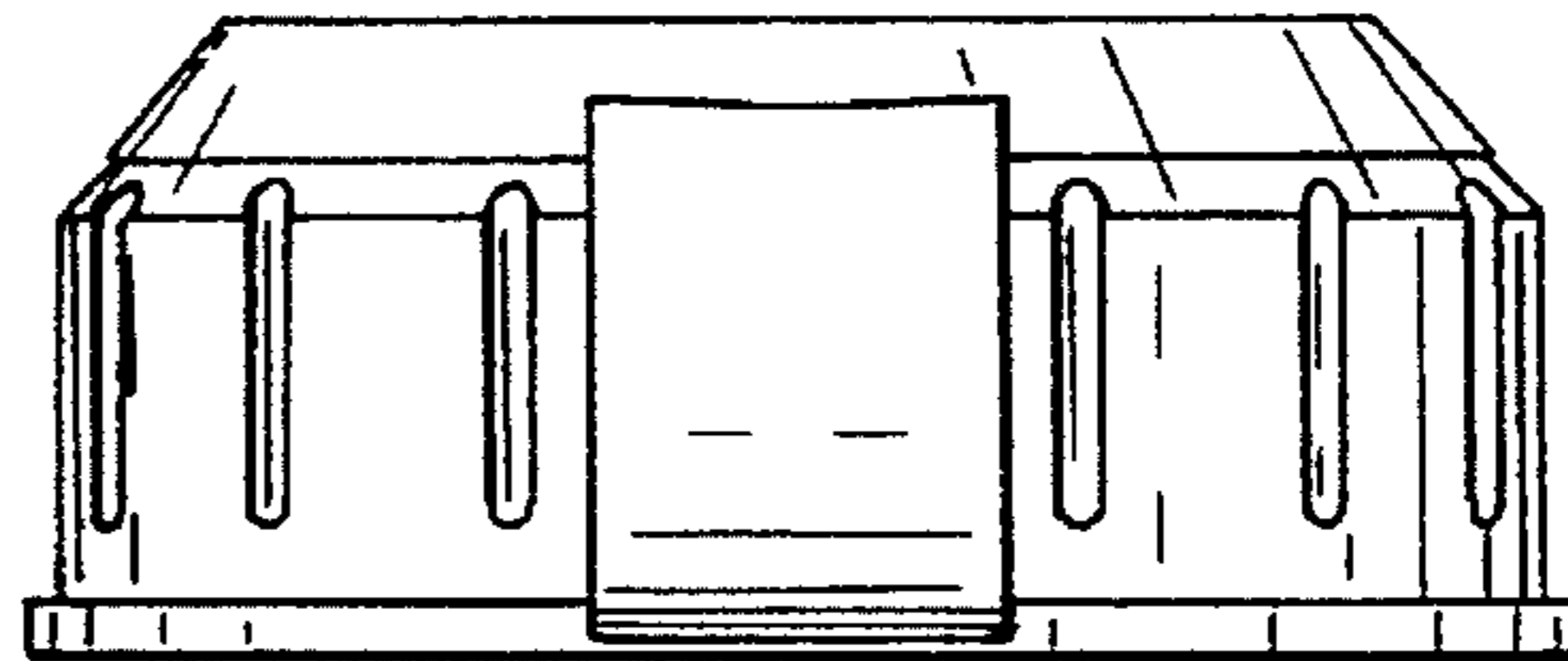


FIG. 6

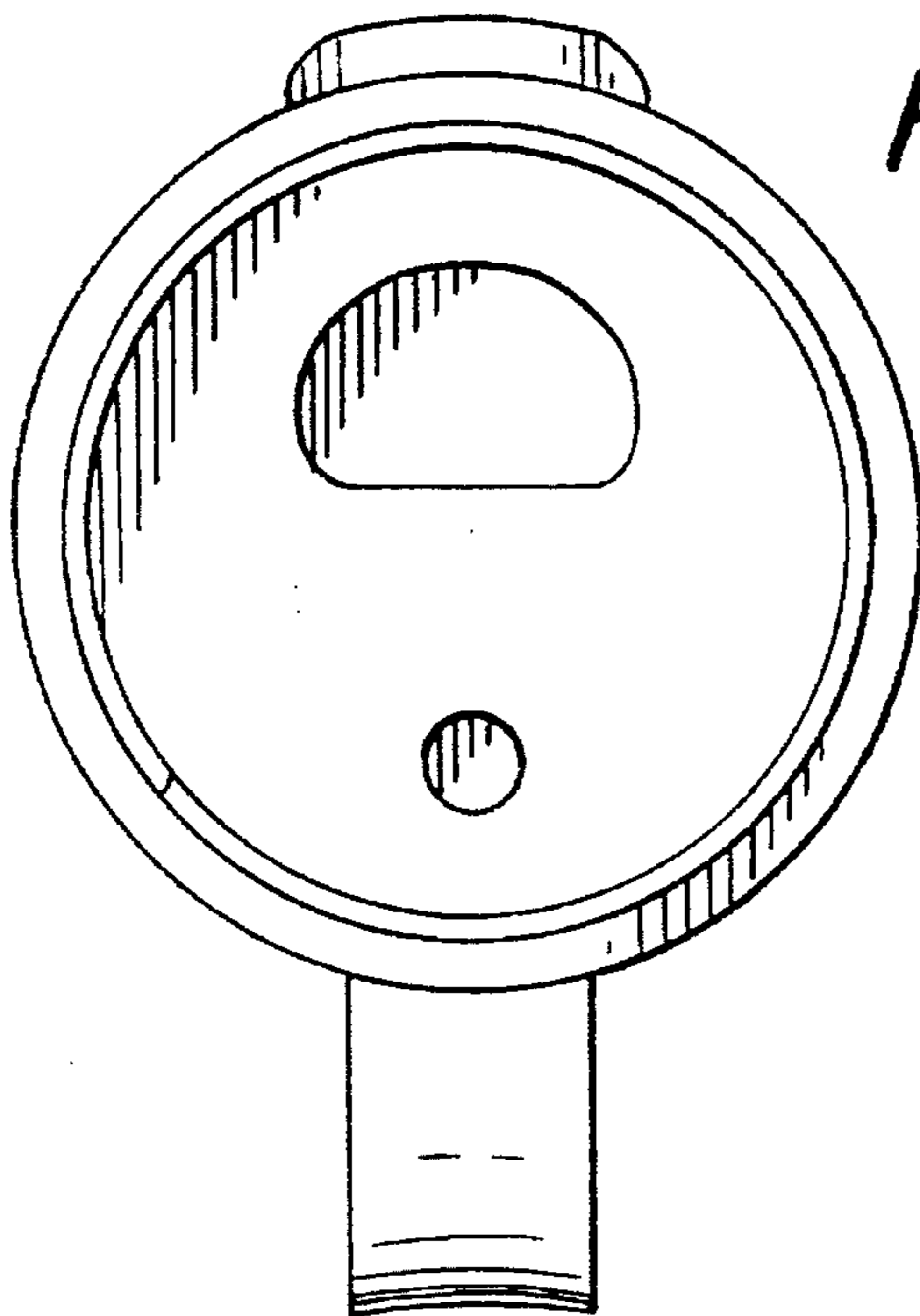


FIG. 7

