



US00D364808S

United States Patent [19] King

[11] Patent Number: **Des. 364,808**
[45] Date of Patent: ****Dec. 5, 1995**

[54] **CLOSURE FOR A CONTAINER**
[75] Inventor: **Roger M. King**, Latimer Bucks, United Kingdom

2260534 4/1993 United Kingdom .
2261656 5/1993 United Kingdom .
2262280 6/1993 United Kingdom .
2267484 12/1993 United Kingdom .
WO91/18799 12/1991 WIPO .
WO93/01098 1/1993 WIPO .

[73] Assignee: **Beeson and Sons Limited**, Rickmansworth, United Kingdom

OTHER PUBLICATIONS

[**] Term: **14 Years**

Pending Beeson & Sons U.S. patent application, Ser. No. 08/380,201, King, filed Jan. 30, 1995.

[21] Appl. No.: **30,432**

U.S. application Ser. No. 07/956,033, King et al., filed Oct. 2, 1992.

[22] Filed: **Oct. 14, 1994**

U.S. application Ser. No. 08/288,075, King, filed Aug. 10, 1994.

[30] Foreign Application Priority Data

U.S. application Ser. No. 08/288,627, King, filed Aug. 10, 1994.

Apr. 14, 1994 [GB] United Kingdom 2038419
Apr. 14, 1994 [GB] United Kingdom 2038420

U.S. application Ser. No. 08/317,999, King et al., filed Oct. 4, 1994.

[52] U.S. Cl. **D9/438; D9/443**

[58] Field of Search D9/434-435, 439, D9/443, 450, 499; 215/100 A, 208, 216, 219-221, 235, 252, 258, 295-296, 305, 330

Primary Examiner—Alan P. Douglas
Assistant Examiner—Robert M. Spear
Attorney, Agent, or Firm—William Brinks Hofer Gilson & Lione

[56] References Cited

[57] CLAIM

U.S. PATENT DOCUMENTS

The ornamental design for a closure for a container, as shown and described.

- D. 32,916 7/1900 Lindemeyr D9/453
- D. 207,887 6/1967 Parsisson et al. .
- D. 217,543 5/1970 Pomodoro .
- D. 256,673 9/1980 Hoyt D9/443
- D. 277,459 2/1985 Baum et al. .
- D. 304,424 11/1989 Dawson D9/453
- D. 311,328 10/1990 van der Tang .
- D. 311,868 11/1990 Armstrong D9/452
- D. 312,043 12/1990 van der Tang .
- D. 325,972 5/1992 Chen et al. D9/453
- D. 327,016 6/1992 Leuenberger D9/435
- D. 327,849 7/1992 Armstrong D9/453
- D. 329,980 10/1992 Powell et al. .
- D. 336,430 6/1993 Maguire et al. D9/447
- D. 354,917 1/1995 Kusz et al. D9/560
- 3,370,733 2/1968 Giesler .
- 4,469,235 9/1984 Parker .
- 4,607,759 8/1986 Boetzkes 220/257
- 4,731,512 3/1988 Barriac .
- 5,213,225 5/1993 King et al. .
- 5,219,084 6/1993 King .
- 5,358,129 10/1994 Watts 215/224

DESCRIPTION

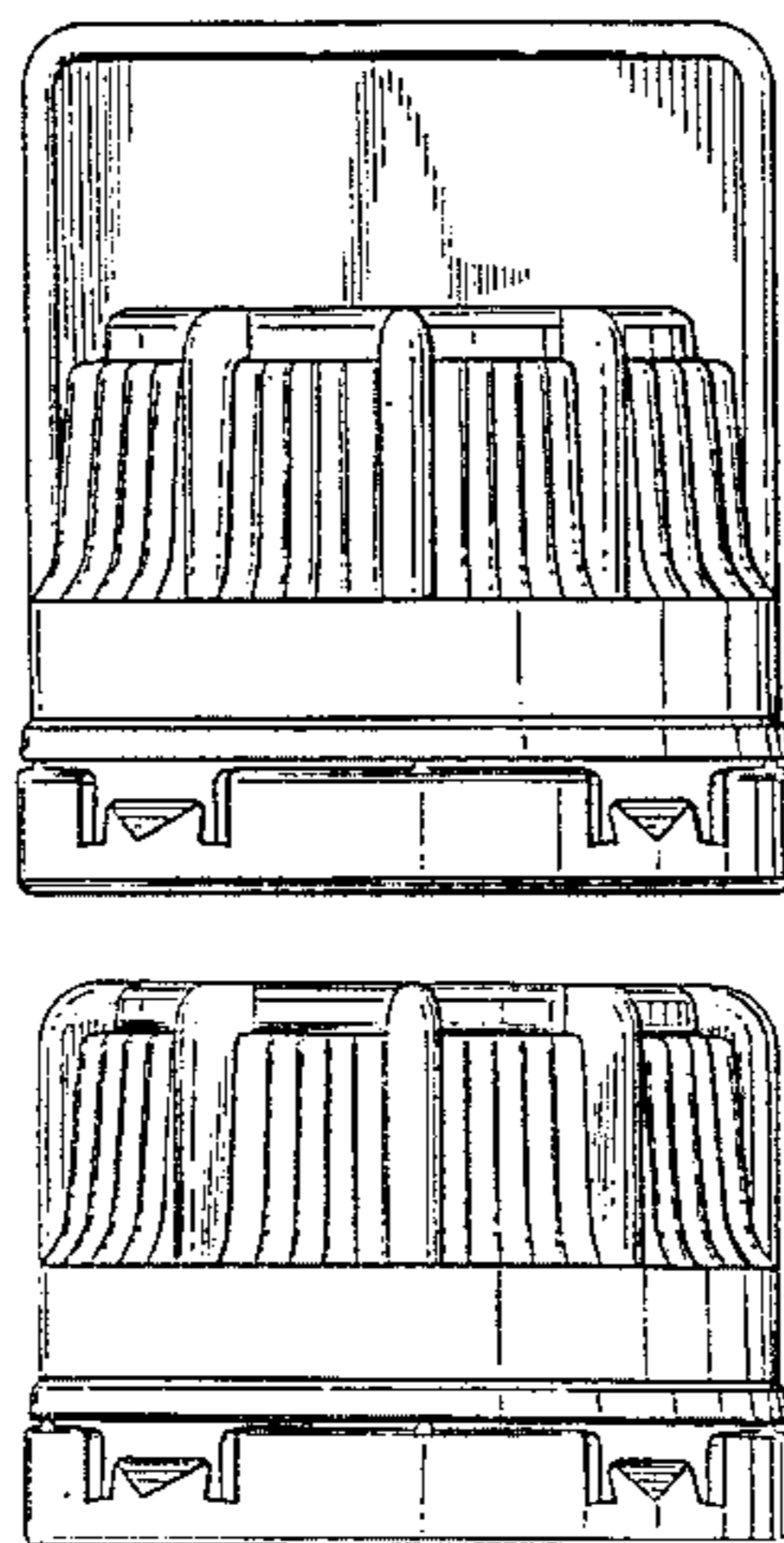
FIG. 1 is a front view of a first embodiment of my new design for a closure for a container, the rear view being identical thereto;

FIG. 2 is a side view of the design of FIG. 1;
FIG. 3 is a top plan view of the design of FIG. 1;
FIG. 4 is a bottom plan view of the design of FIG. 1;
FIG. 5 is a longitudinal cross-section view of the design of FIG. 1, taken along line 5—5 in FIG. 3;
FIG. 6 is a front view of a second embodiment of my new design for a closure for a container, the rear view being identical thereto;
FIG. 7 is a top plan view of the design of FIG. 6;
FIG. 8 is a bottom plan view of the design of FIG. 6; and,
FIG. 9 is a longitudinal cross-section view of the design of FIG. 6, taken along line 9—9 in FIG. 7.

FOREIGN PATENT DOCUMENTS

1052164 7/1988 United Kingdom .

1 Claim, 5 Drawing Sheets



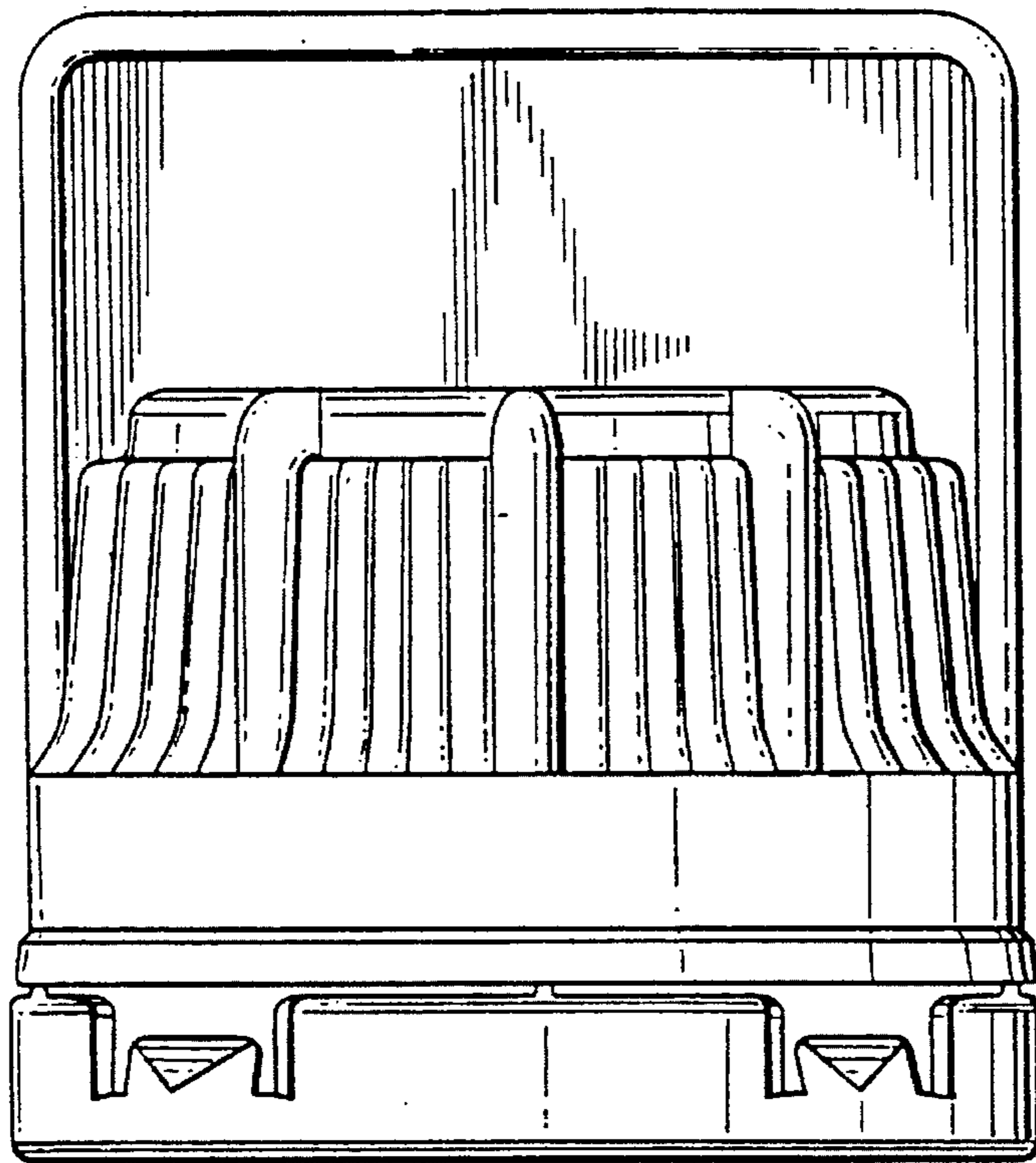


FIG. 1

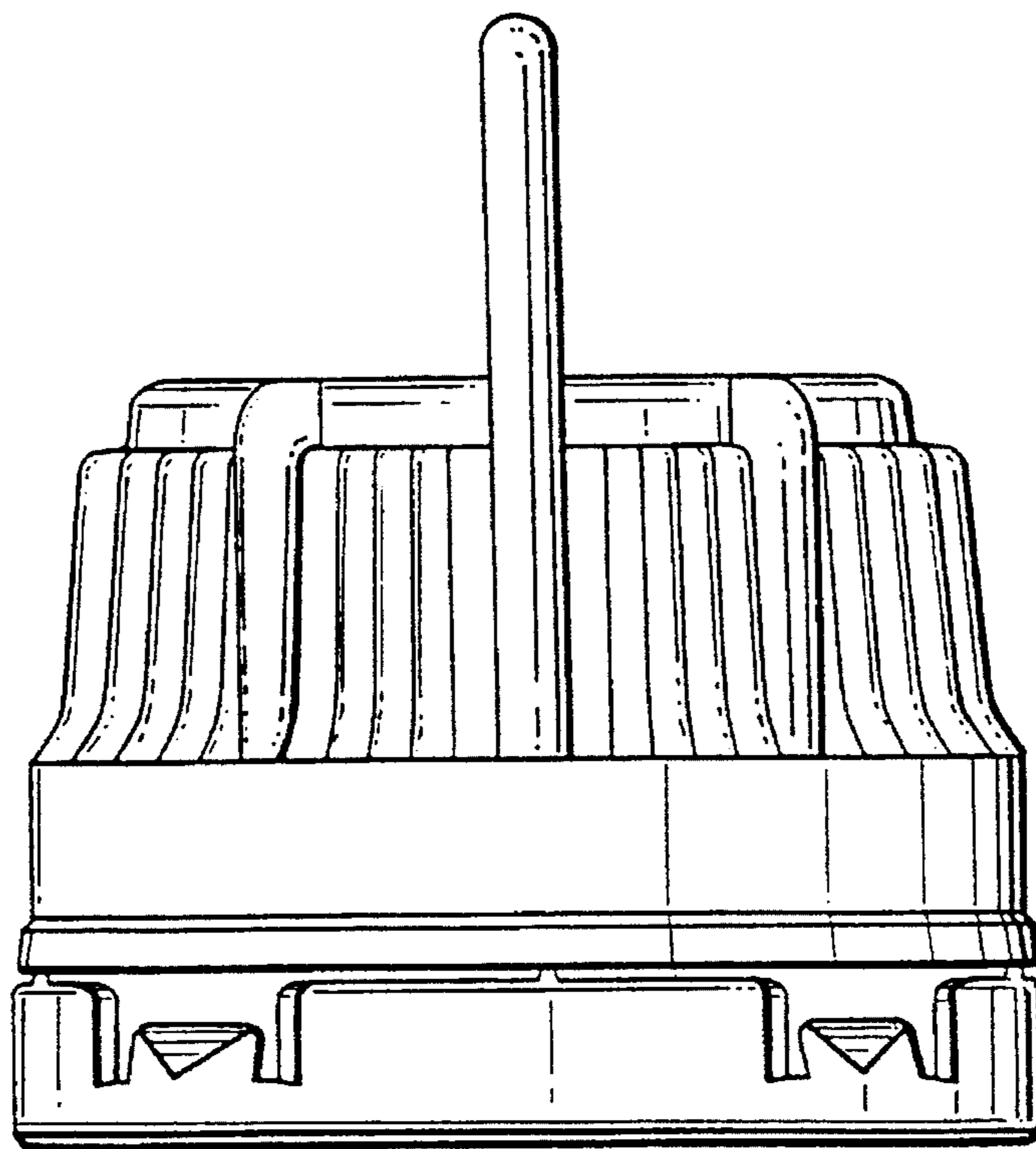


FIG. 2

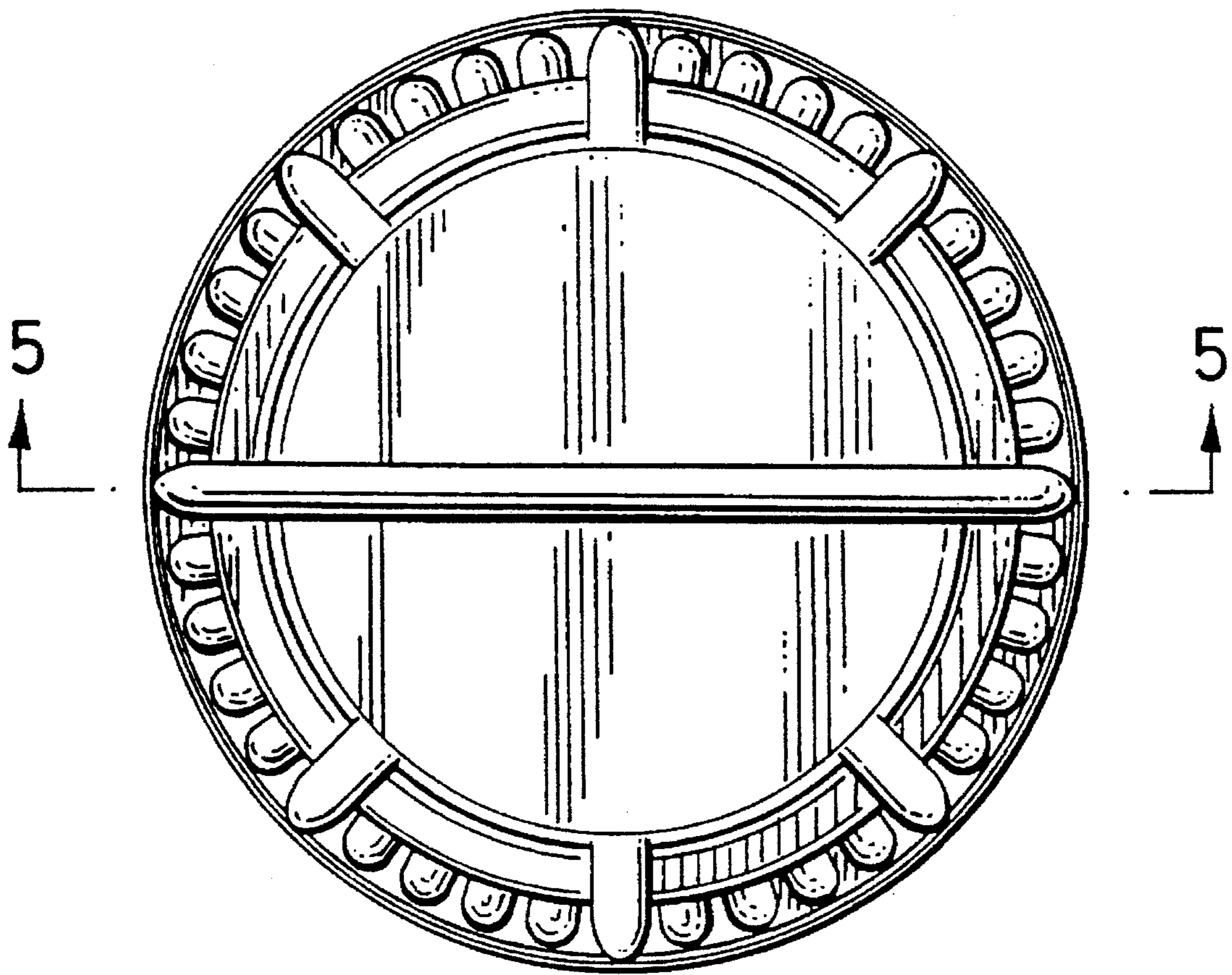


FIG. 3

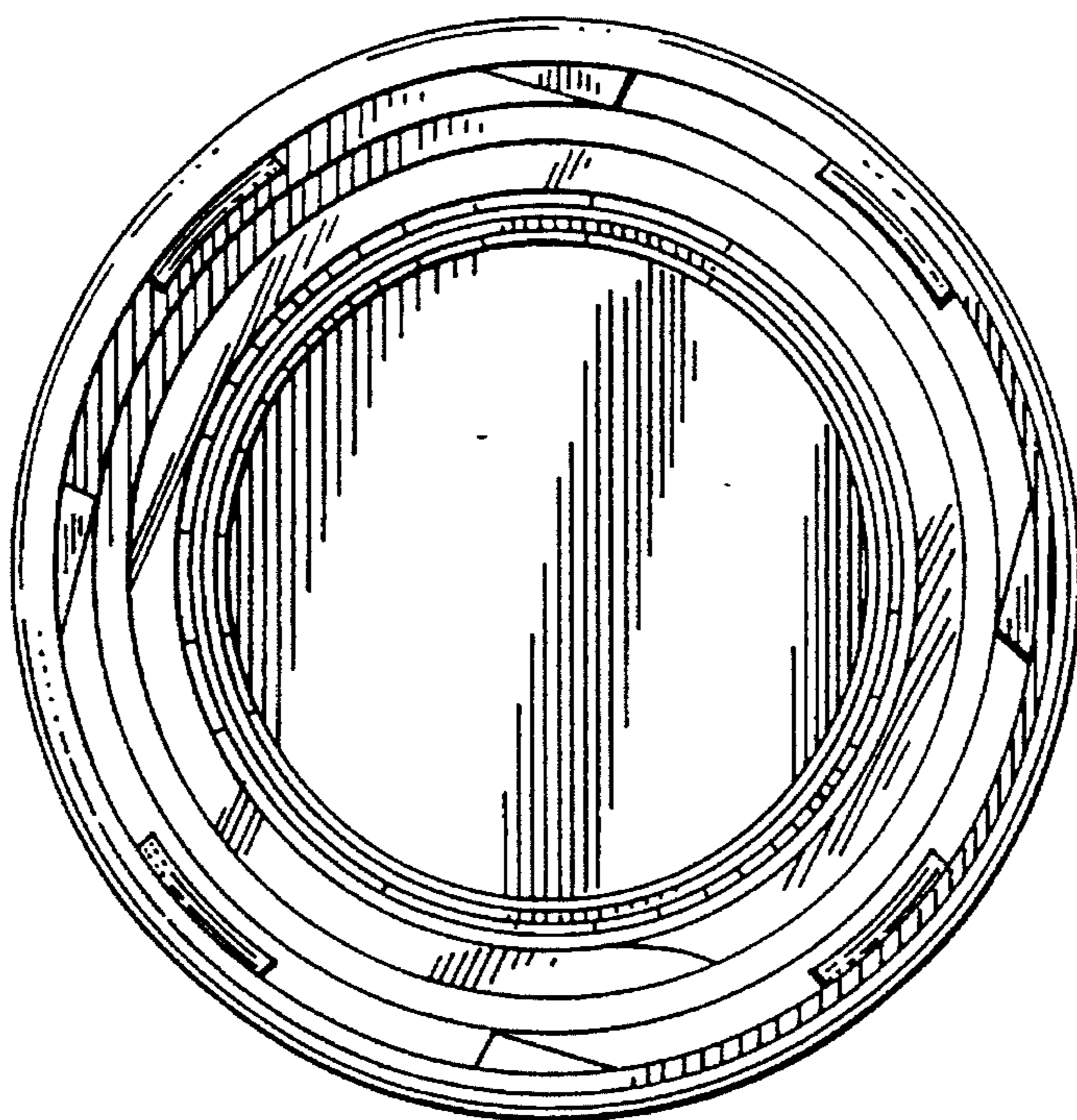


FIG. 4

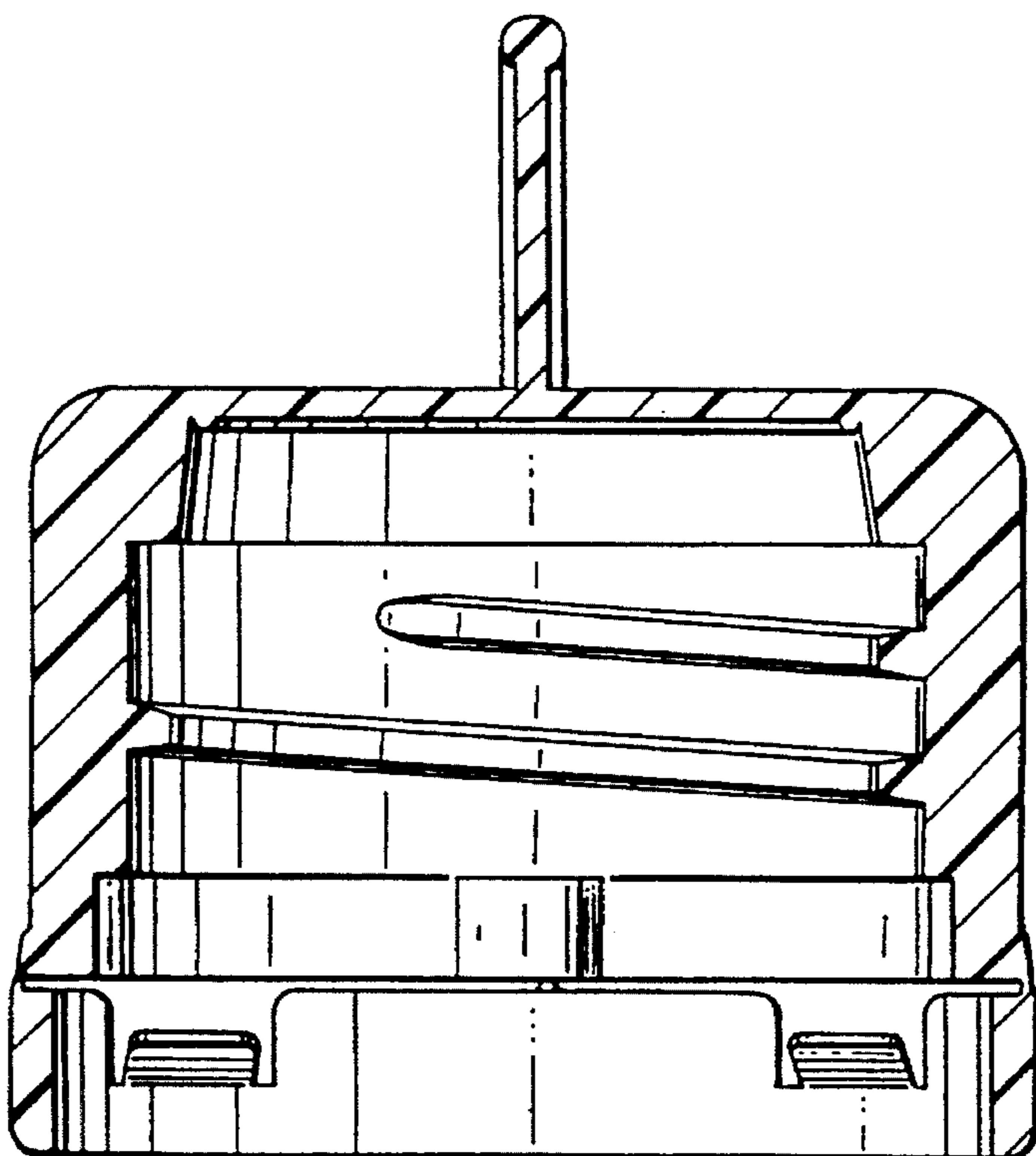


FIG. 5

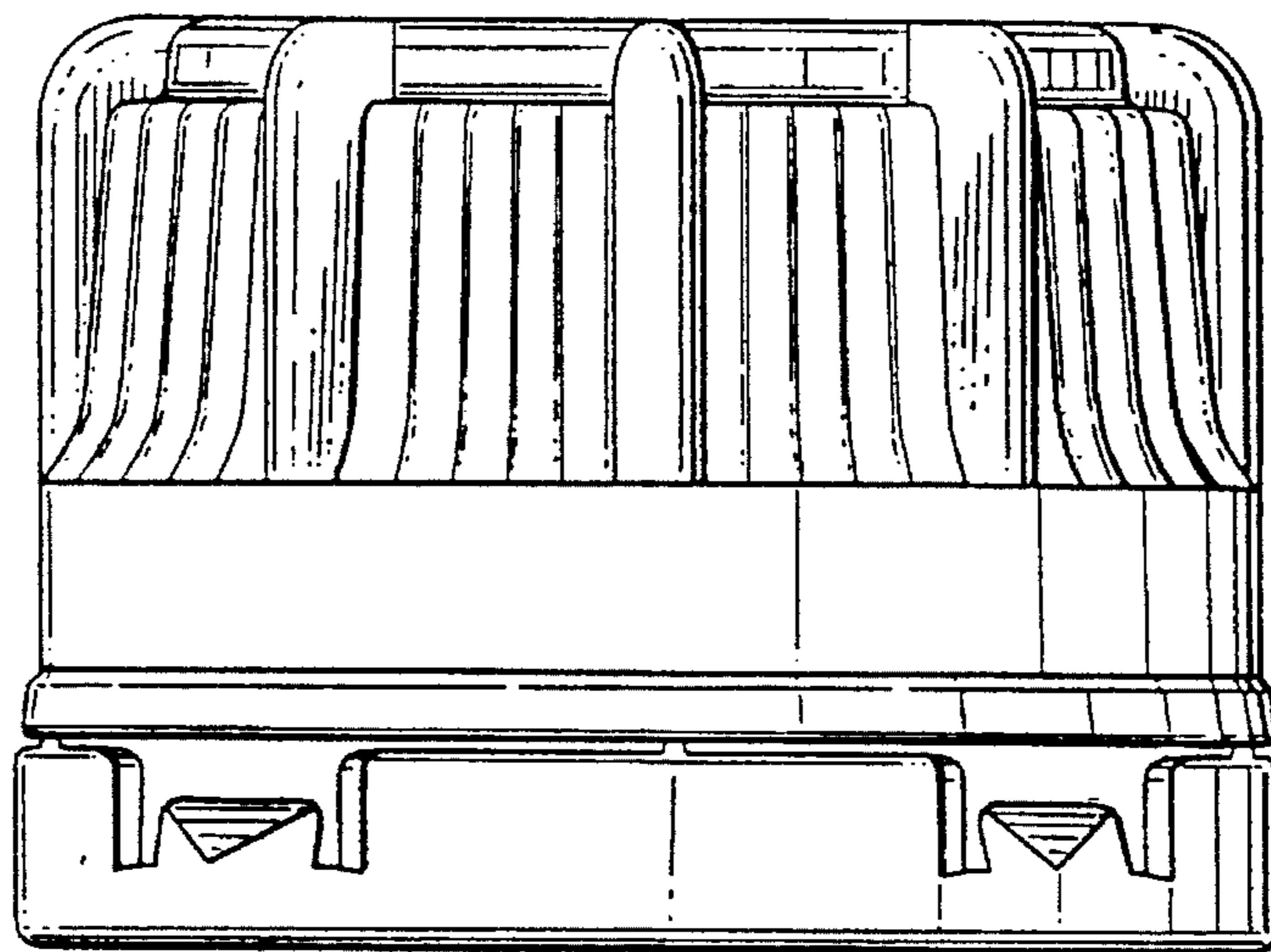


FIG. 6

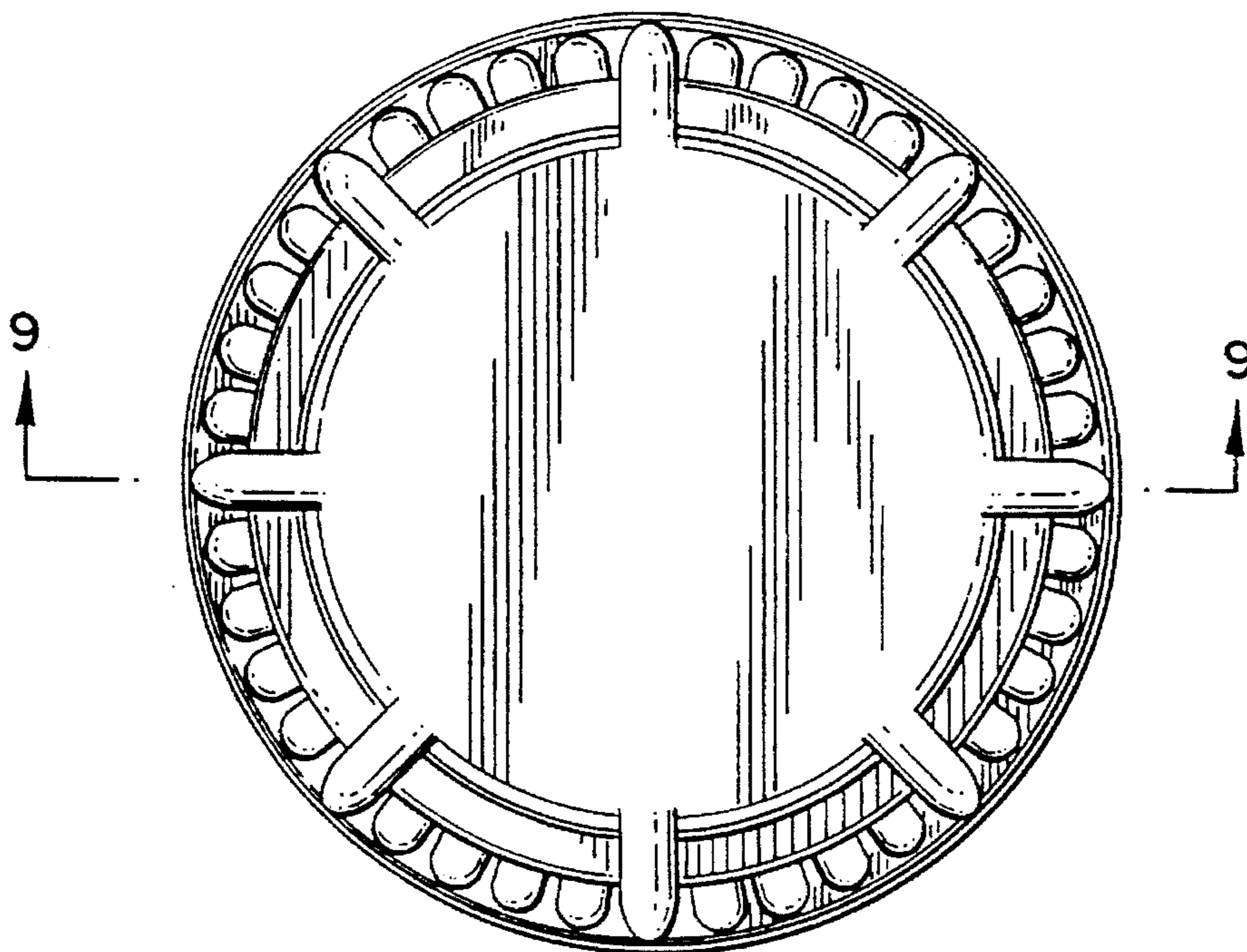


FIG. 7

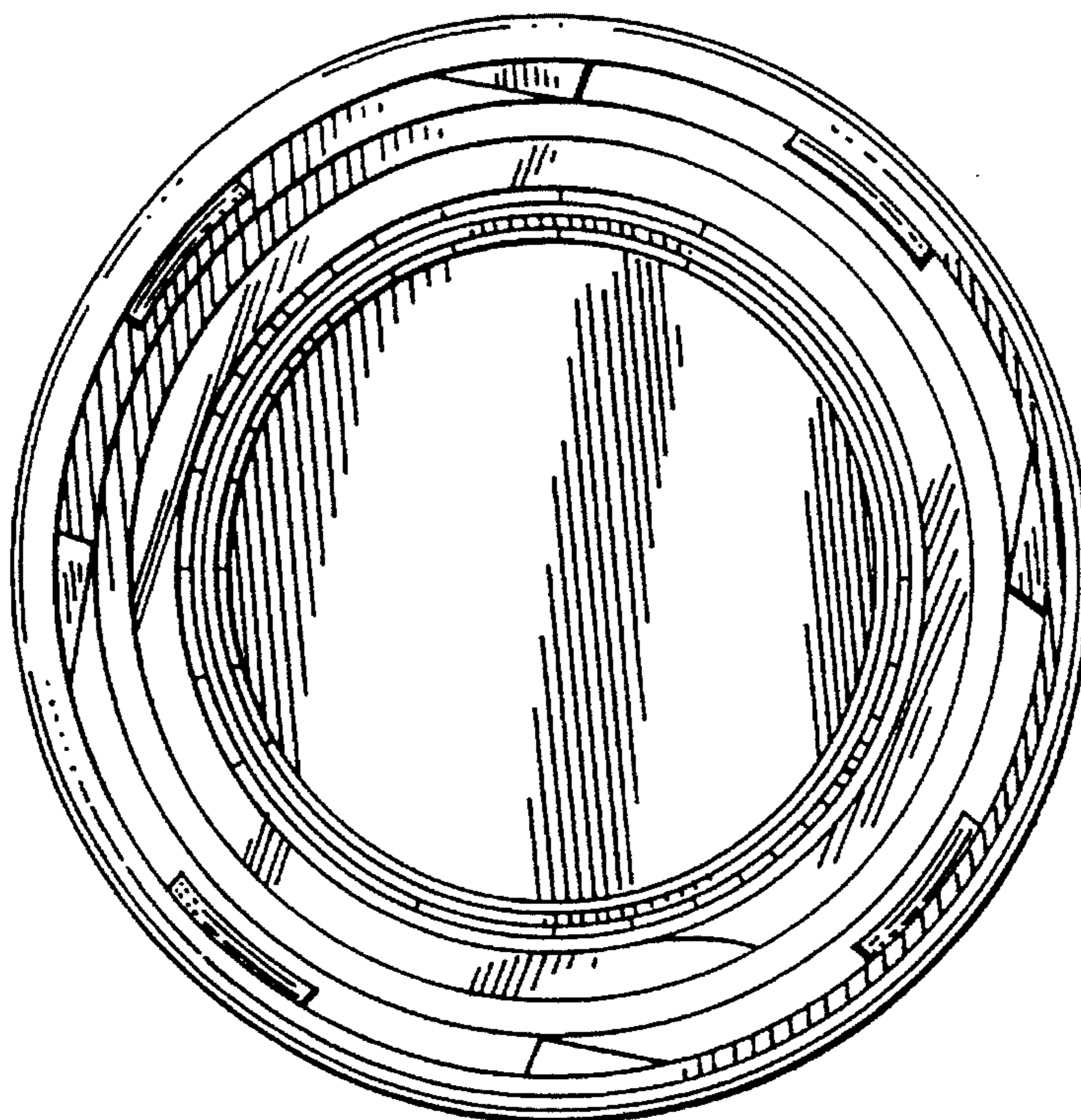


FIG. 8

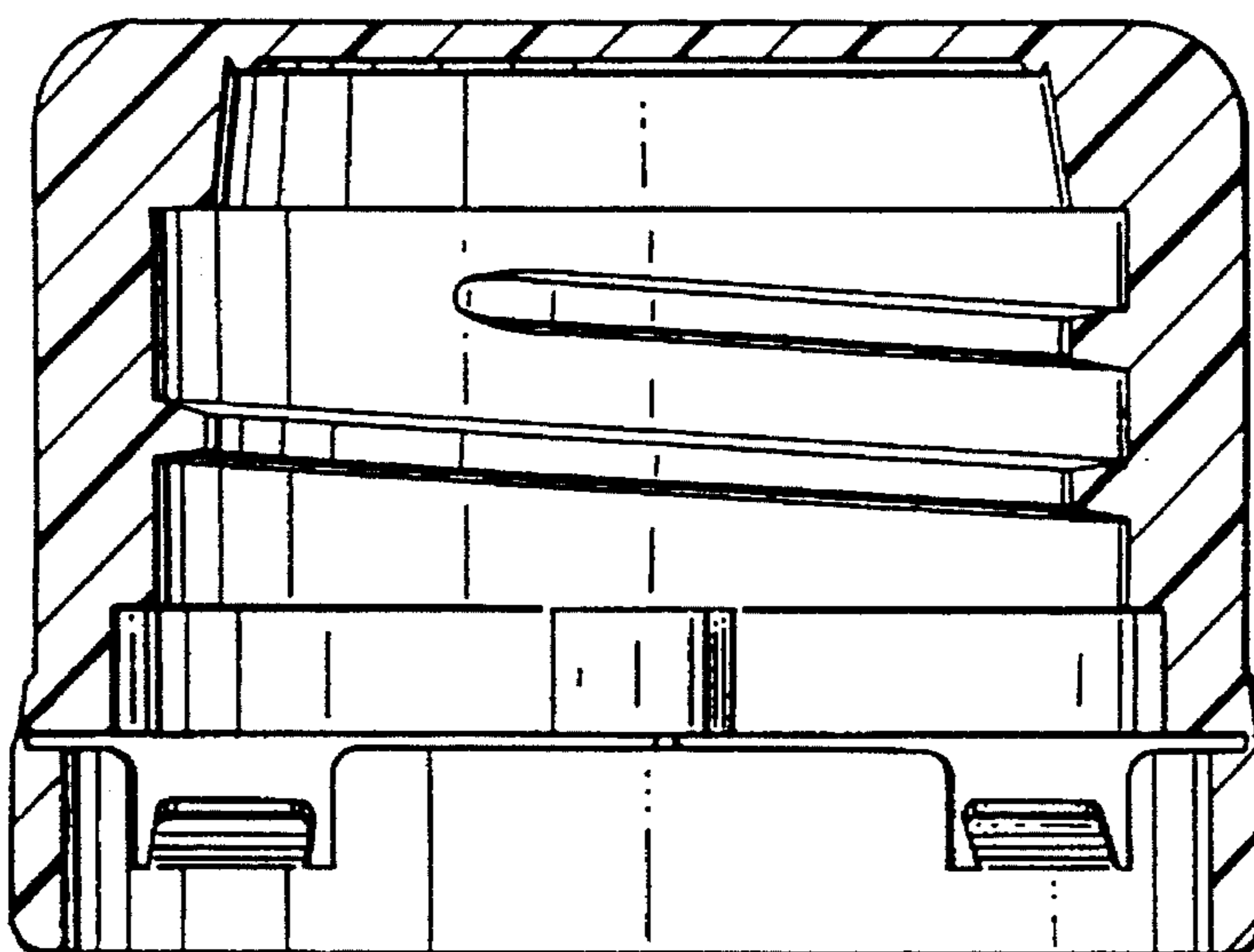


FIG. 9