



US00D364805S

# United States Patent [19]

[11] **Patent Number:** **Des. 364,805**

**Hata**

[45] **Date of Patent:** **\*\*Dec. 5, 1995**

[54] **WRAPPING FOR AUDIO CASSETTE TAPE BOX**

4,782,956	11/1988	Yoshizawa	.....	206/497 X
5,103,978	4/1992	Secor	.....	206/387.1
5,129,518	6/1992	Tanaka et al.	.....	206/497

[75] Inventor: **Masayuki Hata**, Tokyo, Japan

*Primary Examiner*—Ted Shooman  
*Assistant Examiner*—Nanda Bondade  
*Attorney, Agent, or Firm*—Cooper & Dunham

[73] Assignee: **Sony Corporation**, Tokyo, Japan

[\*\*] Term: **14 Years**

[57] **CLAIM**

[21] Appl. No.: **29,866**

The ornamental design for wrapping for audio cassette tape box, as shown and described.

[22] Filed: **Sep. 18, 1994**

[52] U.S. Cl. .... **D9/432**

**DESCRIPTION**

[58] **Field of Search** ..... D9/346, 414, 418,  
D9/432-433; 206/232, 387.1, 387.13, 434,  
497, 524.3

FIG. 1 is a top plan view of a wrapping for audio cassette tape box showing my new design;  
FIG. 2 is left-side elevational view thereof;  
FIG. 3 is a front elevational view thereof;  
FIG. 4 is a right-side elevational view thereof;  
FIG. 5 is a bottom plan view thereof;  
FIG. 6 is a rear elevational view thereof; and,  
FIG. 7 is a top, front and right-side perspective view thereof.

[56] **References Cited**

**U.S. PATENT DOCUMENTS**

D. 275,654	9/1984	Yoshizawa	.....	D9/432
D. 282,444	2/1986	Yoshizawa	.....	D9/432
D. 282,445	2/1986	Yoshizawa	.....	D9/432
D. 319,589	9/1991	Lee	.....	D9/432

**1 Claim, 3 Drawing Sheets**

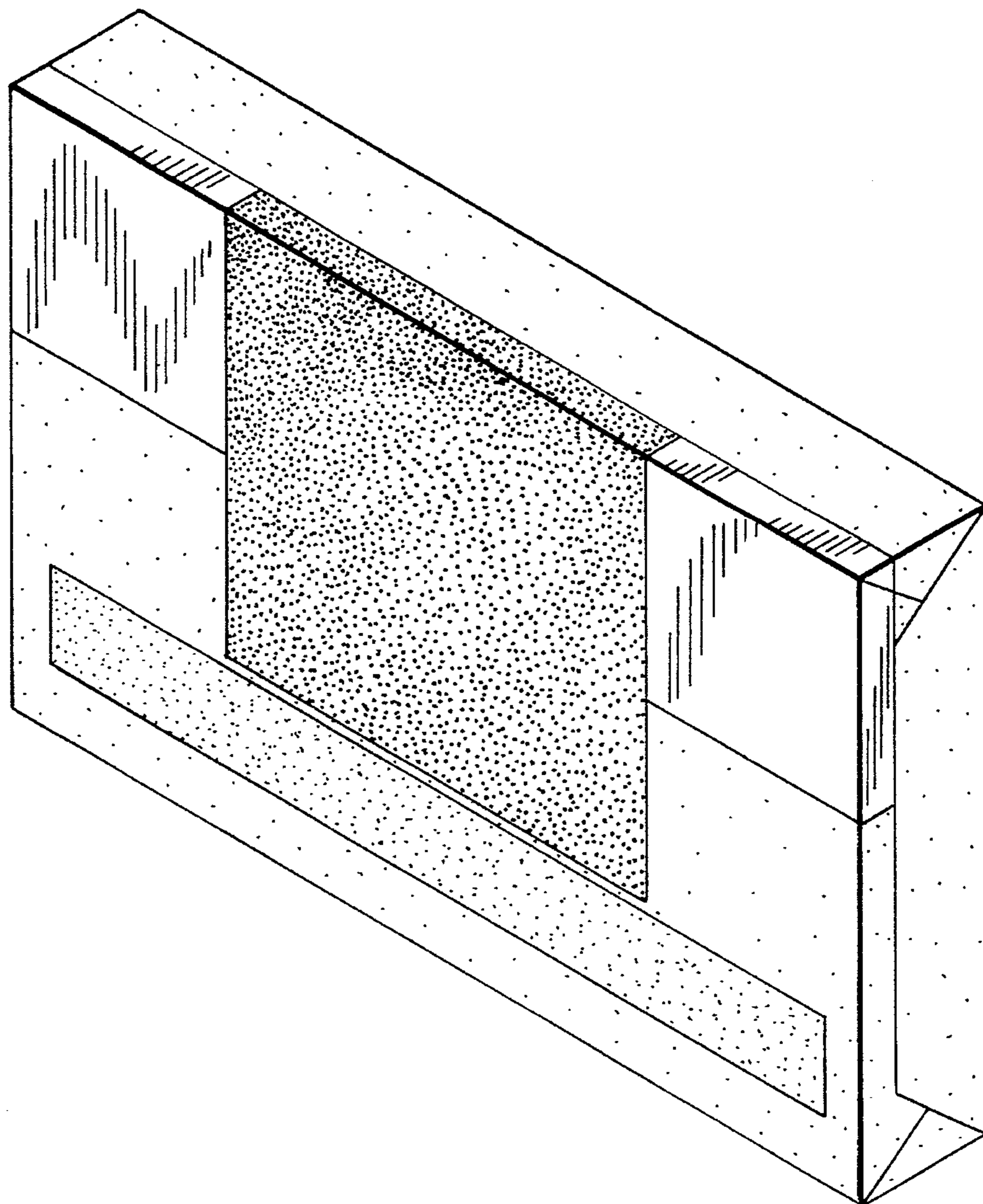


FIG. 1

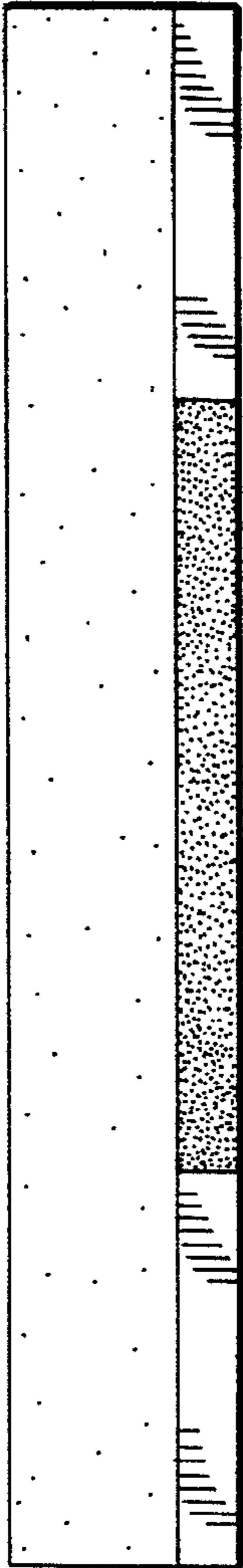


FIG. 3

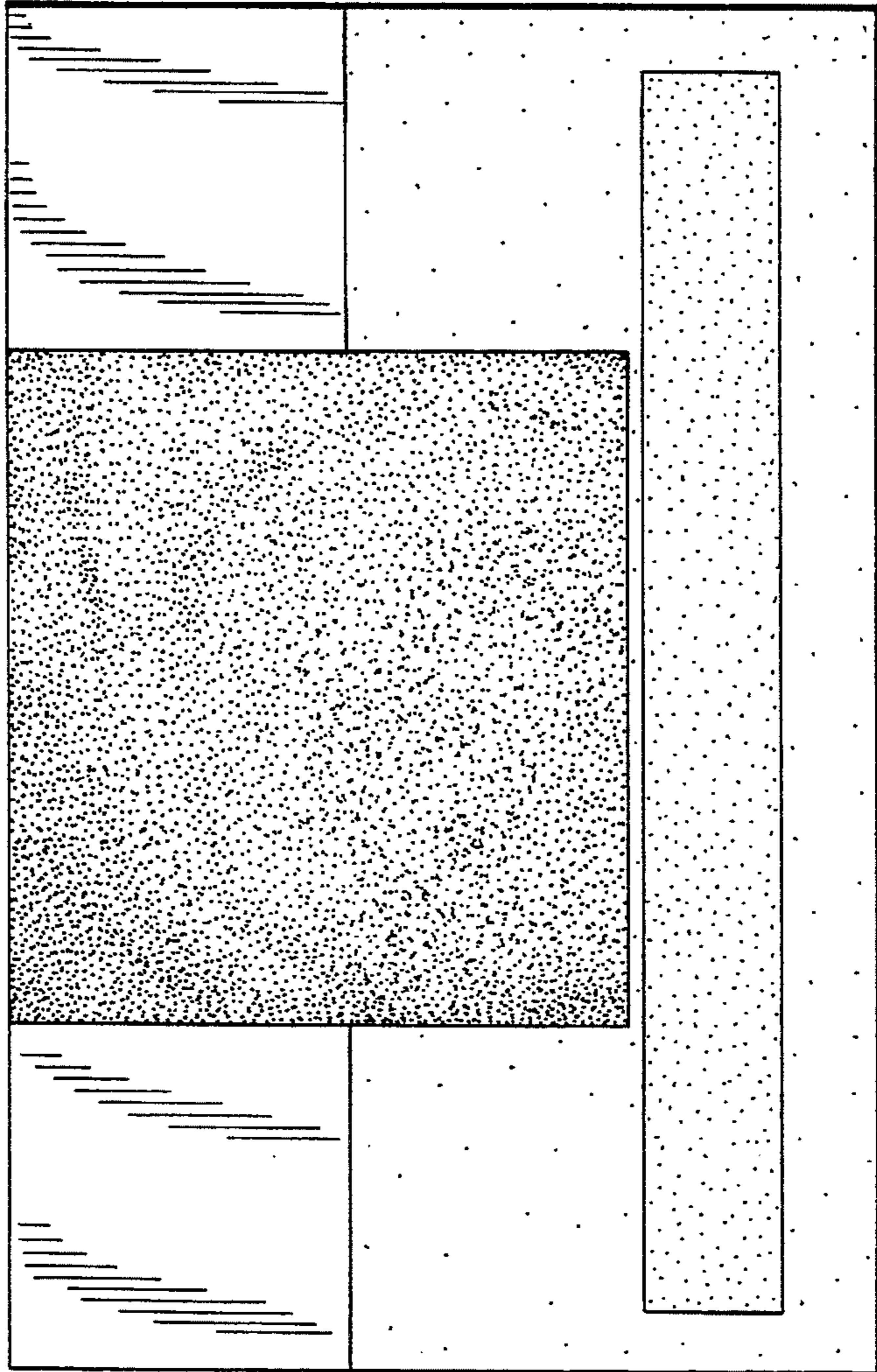


FIG. 2

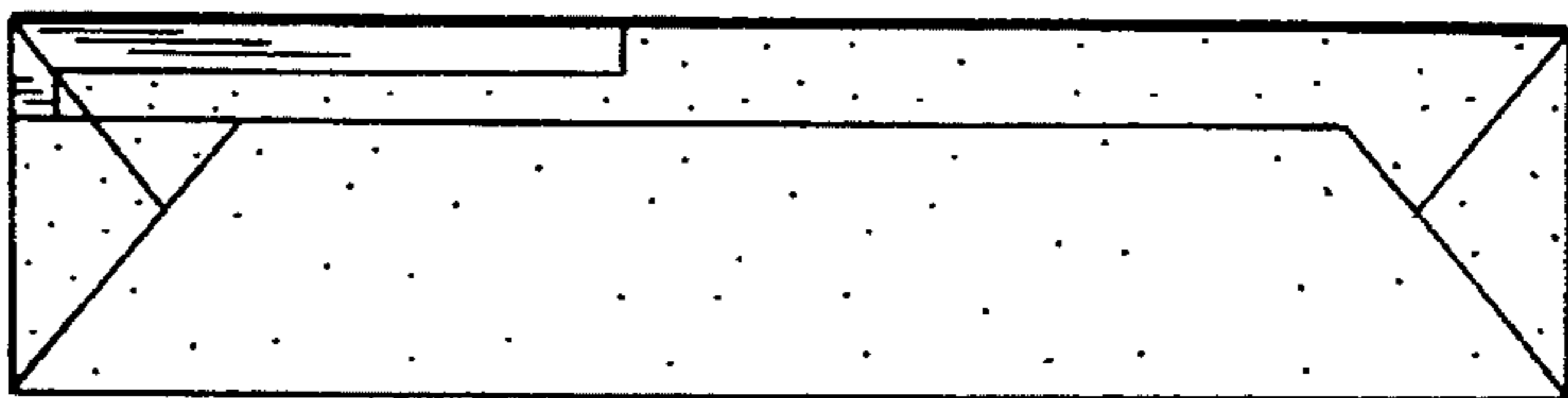


FIG. 5

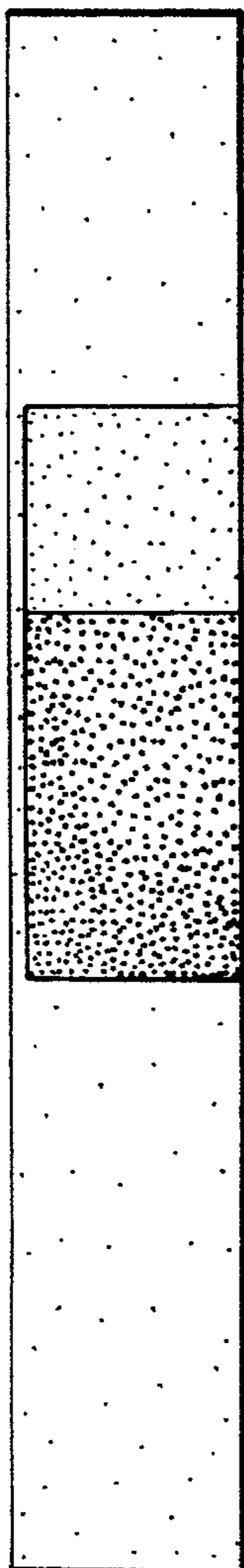


FIG. 6

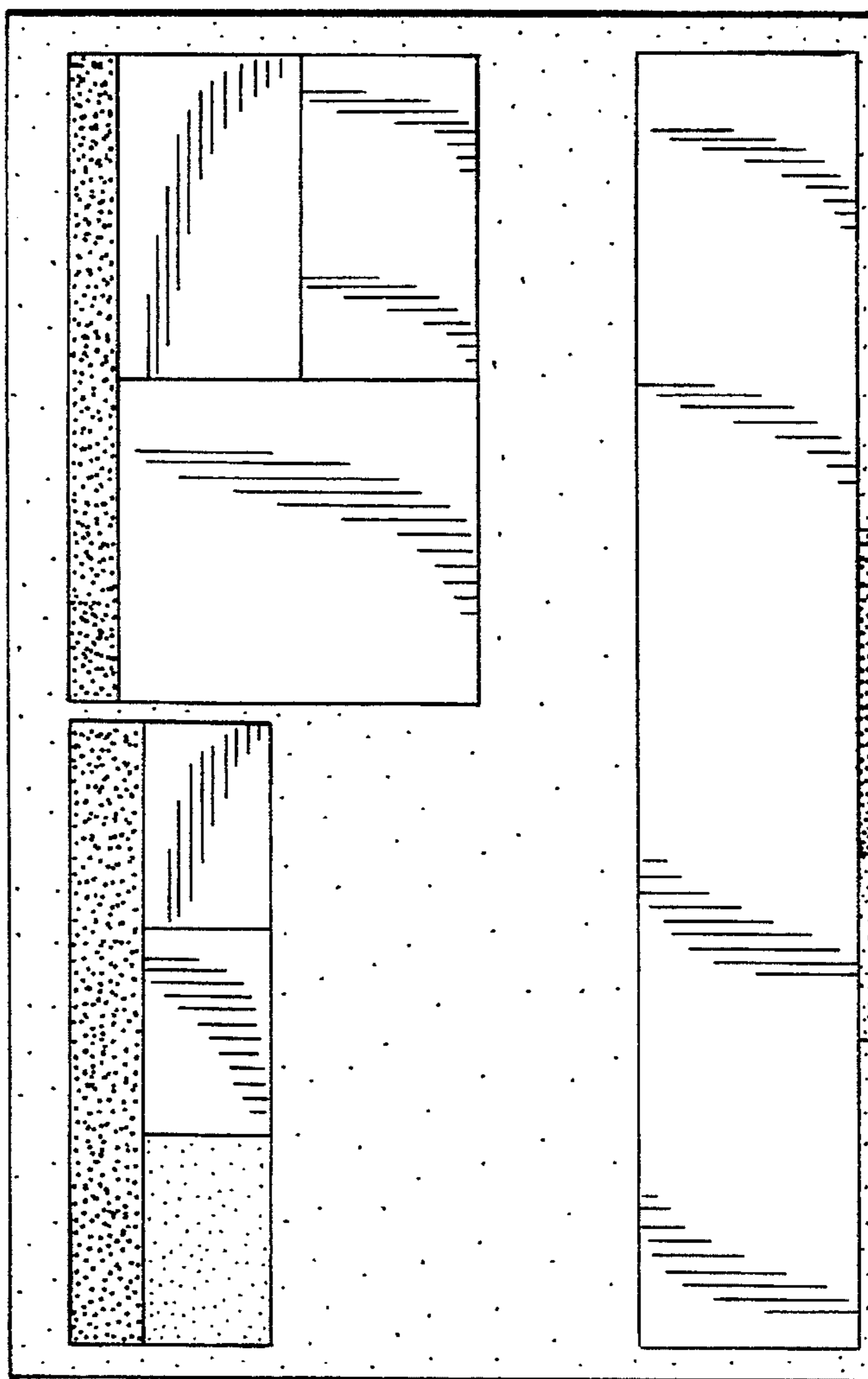
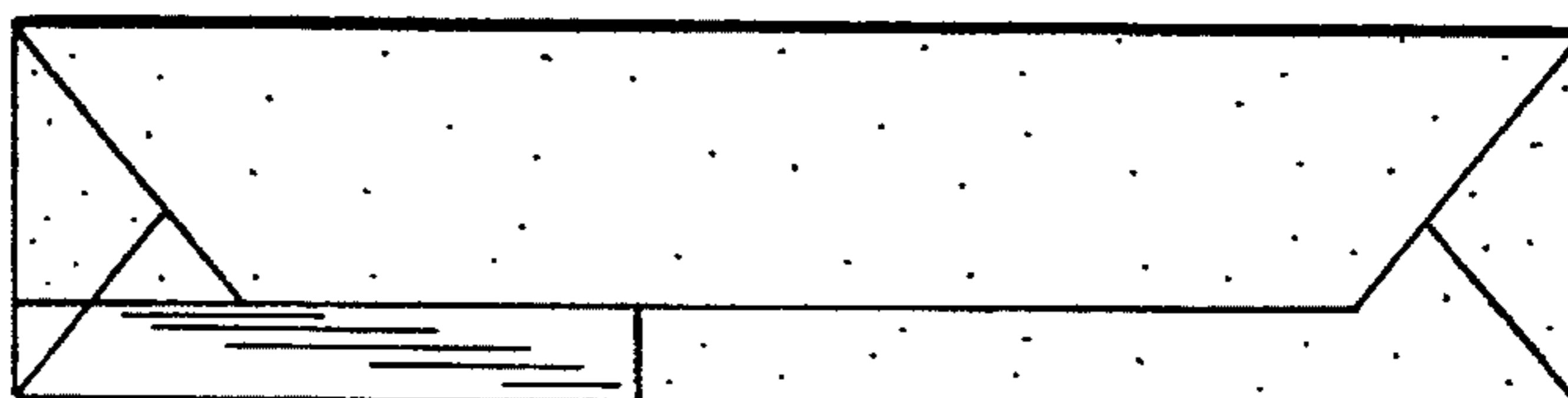
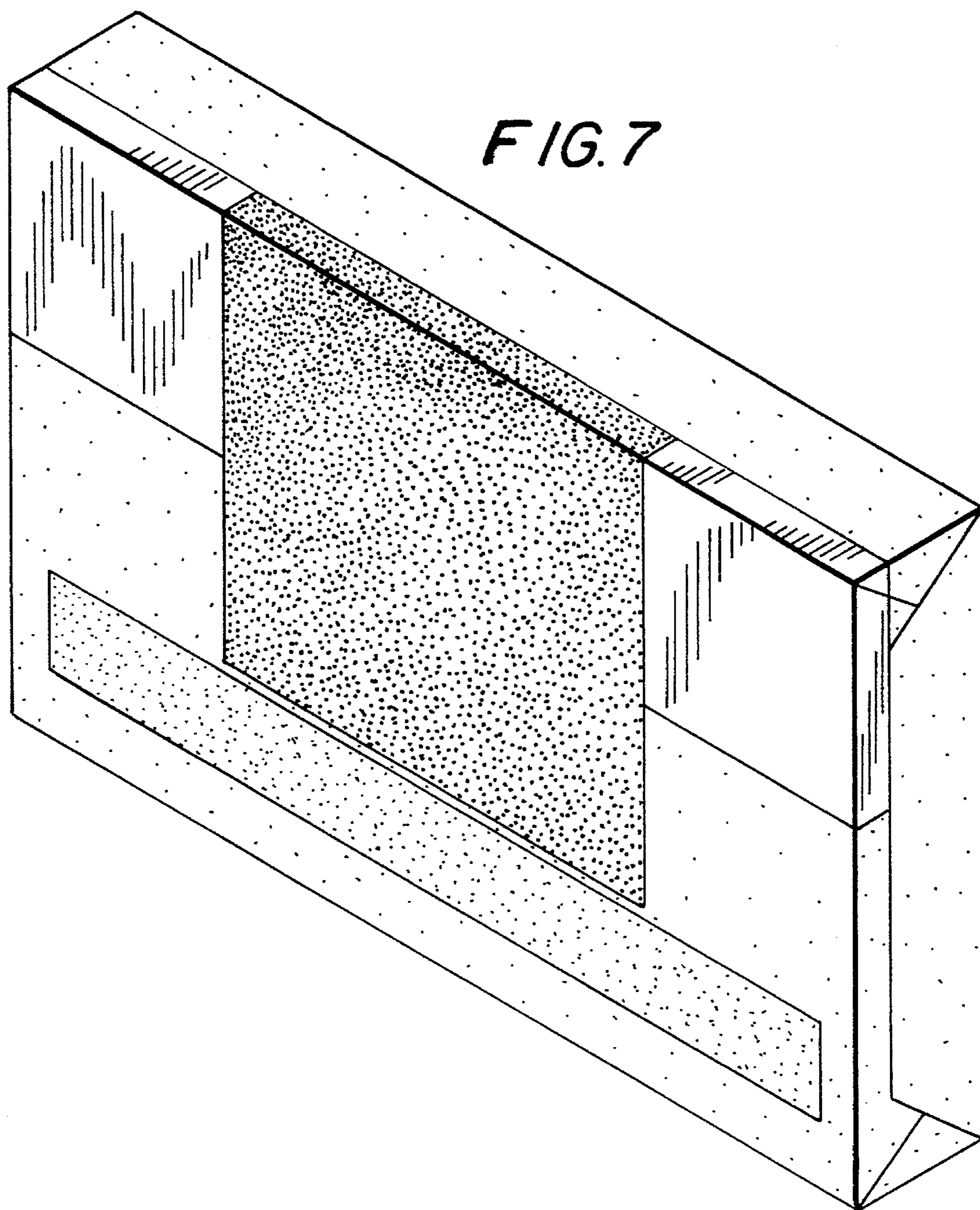


FIG. 4





*FIG. 7*