



US00D364804S

United States Patent [19]
Pedersen-Rask

[11] **Patent Number: Des. 364,804**
[45] **Date of Patent: **Dec. 5, 1995**

[54] **CONTAINER**

[75] Inventor: **Jørgen Pedersen-Rask**, Bredsten,
Denmark

[73] Assignee: **Interlego AG**, Baar, Switzerland

[**] Term: **14 Years**

[21] Appl. No.: **31,664**

[22] Filed: **Dec. 1, 1994**

[52] U.S. Cl. **D9/418**

[58] **Field of Search** D9/418, 415, 428,
D9/414, 424, 425, 454, 539, 503, 558;
206/45.34, 44 R, 45.28; 220/252, 253, 265,
315, 376, 361, 602, 628, 633, 662, 663,
913; D7/511, 629

[56] **References Cited**

U.S. PATENT DOCUMENTS

D. 281,670	12/1985	Thieffry	D9/503
D. 281,673	12/1985	Lampe	D9/424 X
D. 318,222	7/1991	Hsiung	D9/418 X
D. 320,347	10/1991	Lucarelli	D9/418
3,351,186	11/1967	Harris	206/45.34 X
4,972,955	11/1990	Rymoan	206/45.34 X
5,261,848	11/1993	Kaplan et al.	220/662 X

FOREIGN PATENT DOCUMENTS

9300267 1/1993 WIPO 220/4.25

OTHER PUBLICATIONS

Beauty Fashion, Jan. 1984, p. 59.

Primary Examiner—Prabhakar G. Deshmukh
Attorney, Agent, or Firm—Kane, Dalsimer, Sullivan,
Kurucz, Levy, Eisele and Richard

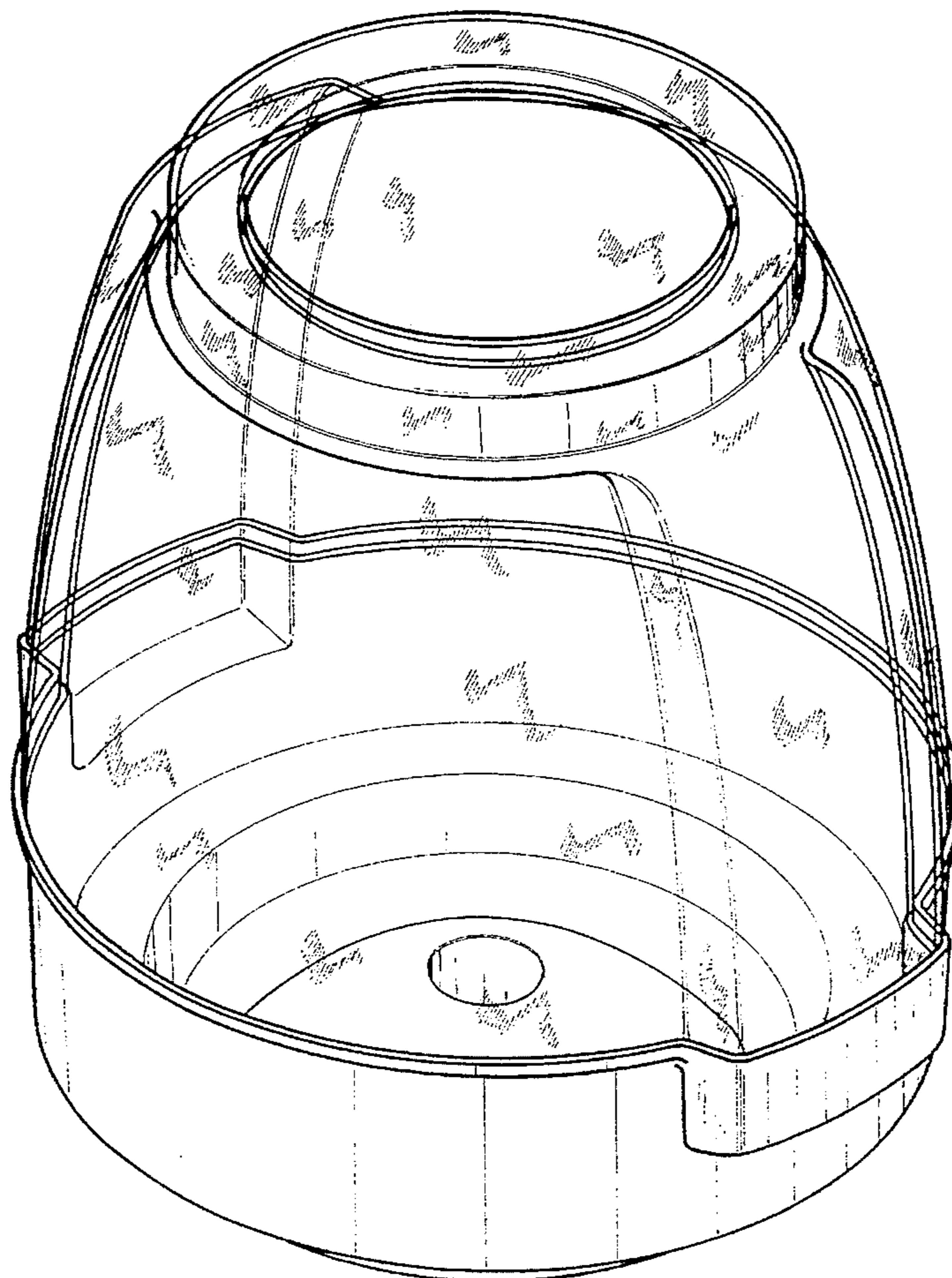
[57] **CLAIM**

The ornamental design for a container, as shown and described.

DESCRIPTION

FIG. 1 is a top perspective view of a container showing my new design;
FIG. 2 is a bottom perspective view thereof;
FIG. 3 is a front elevational view thereof, the rear view being identical;
FIG. 4 is a side elevational view thereof, the other side being identical;
FIG. 5 is a top plan view thereof; and,
FIG. 6 is a bottom plan view thereof.

1 Claim, 5 Drawing Sheets



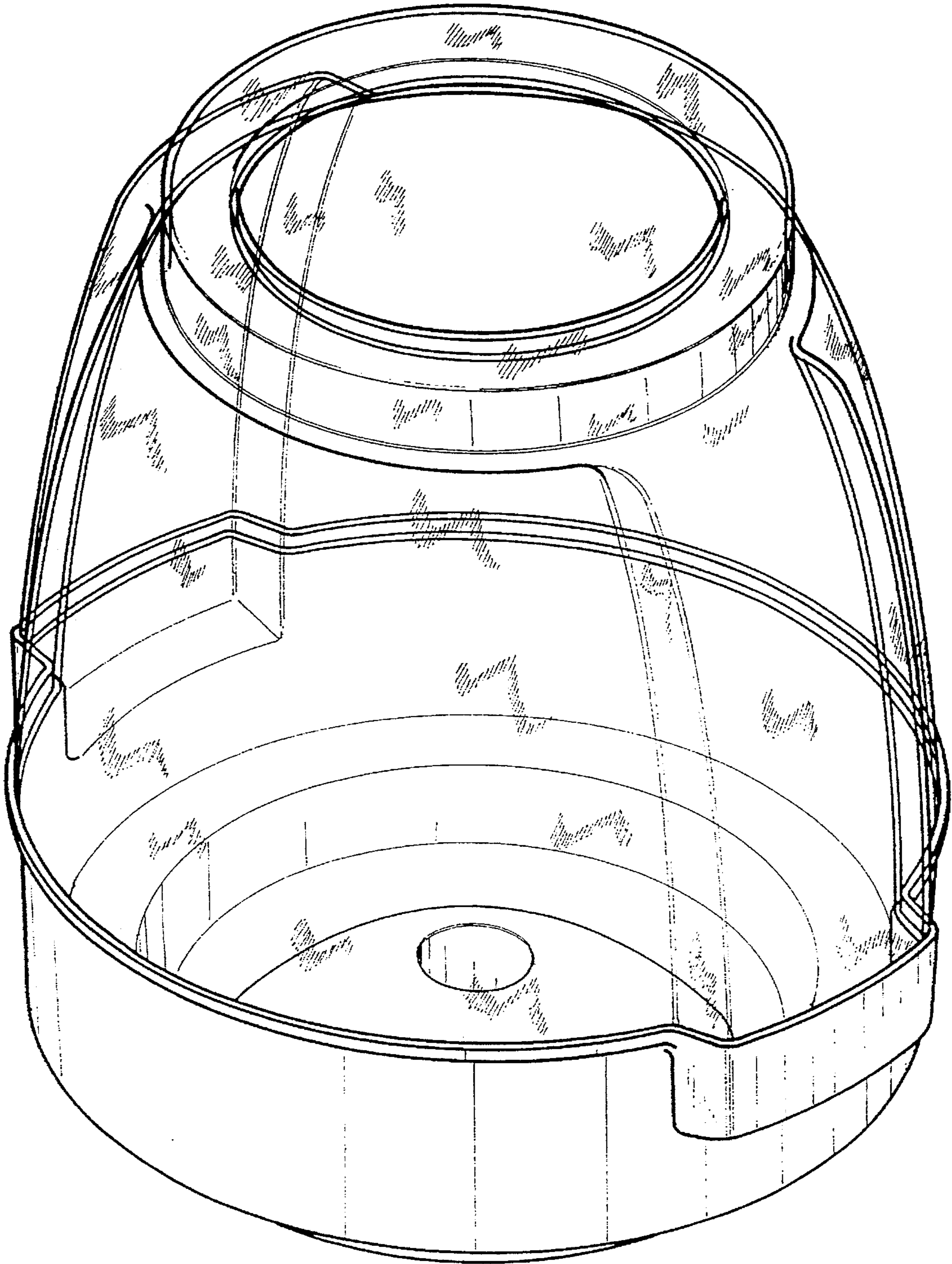


FIG. 1

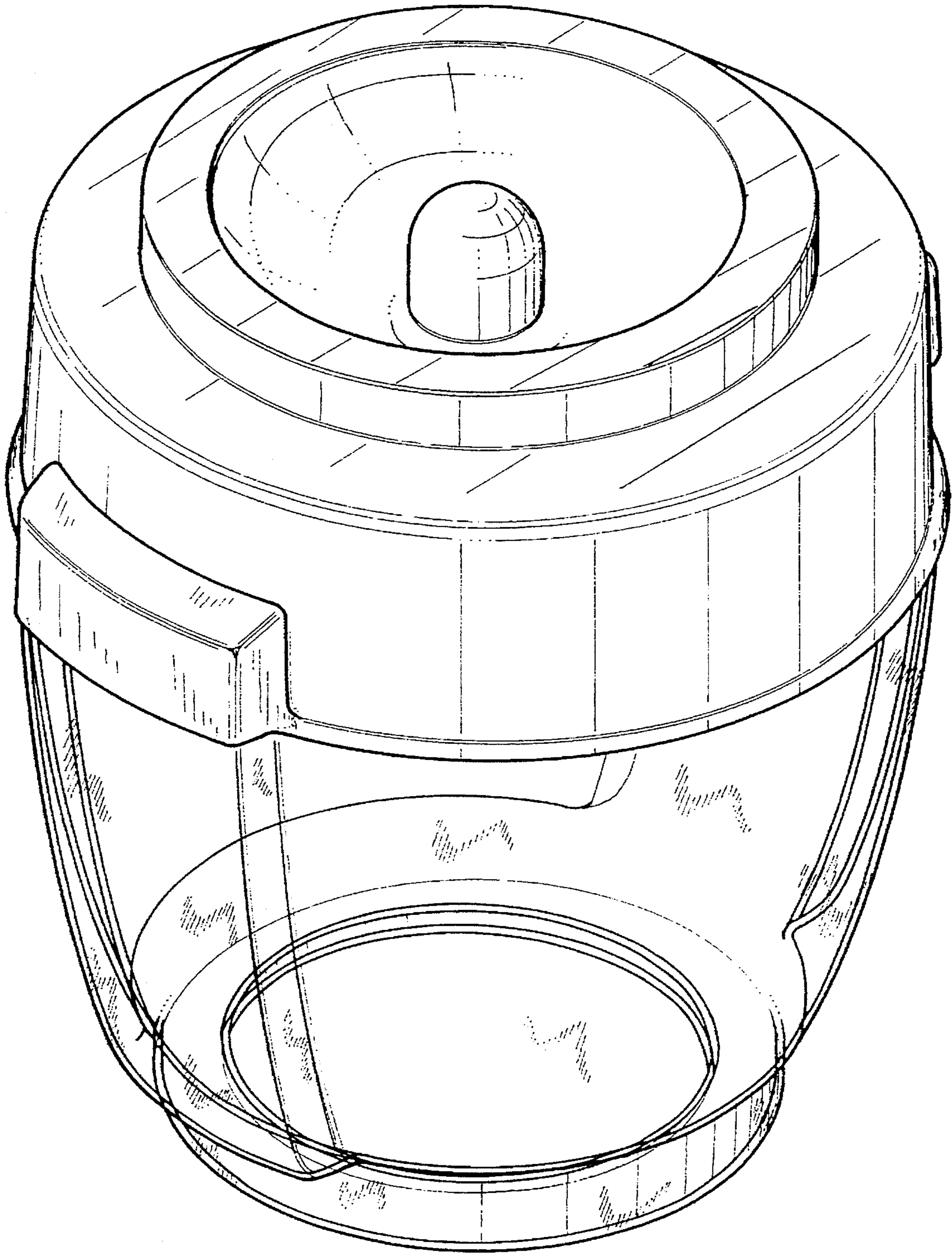


FIG. 2

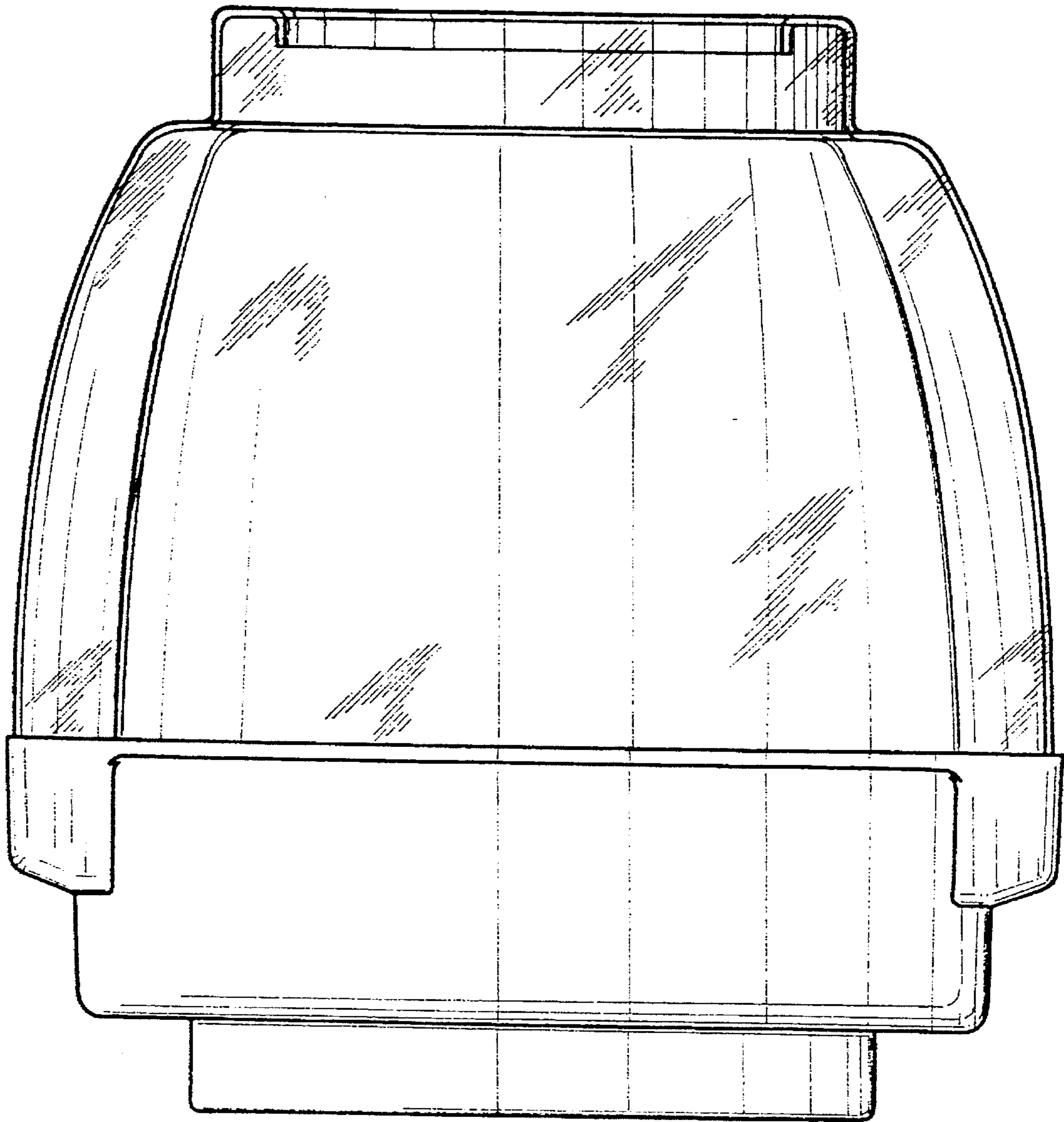


FIG. 3

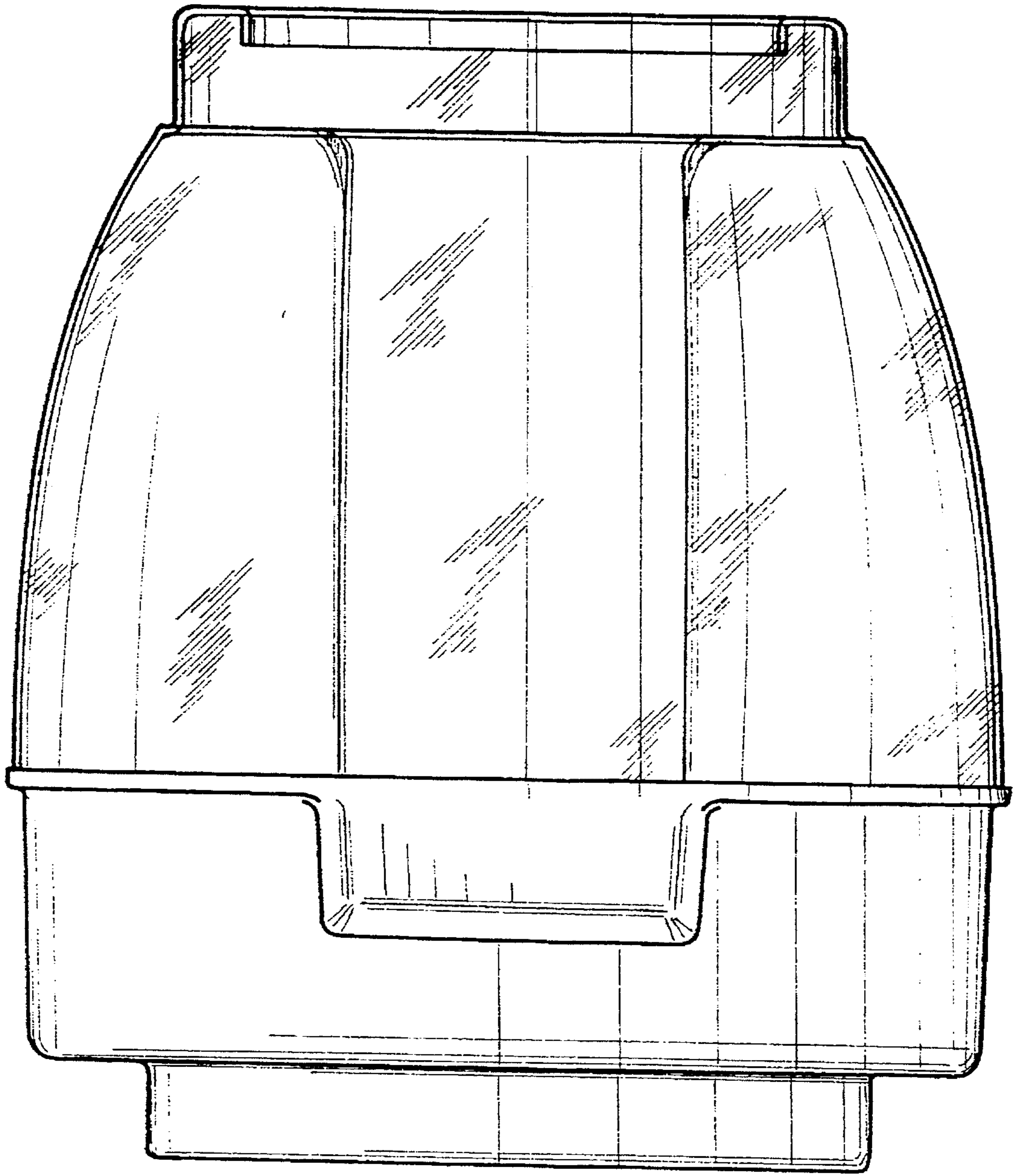


FIG. 4

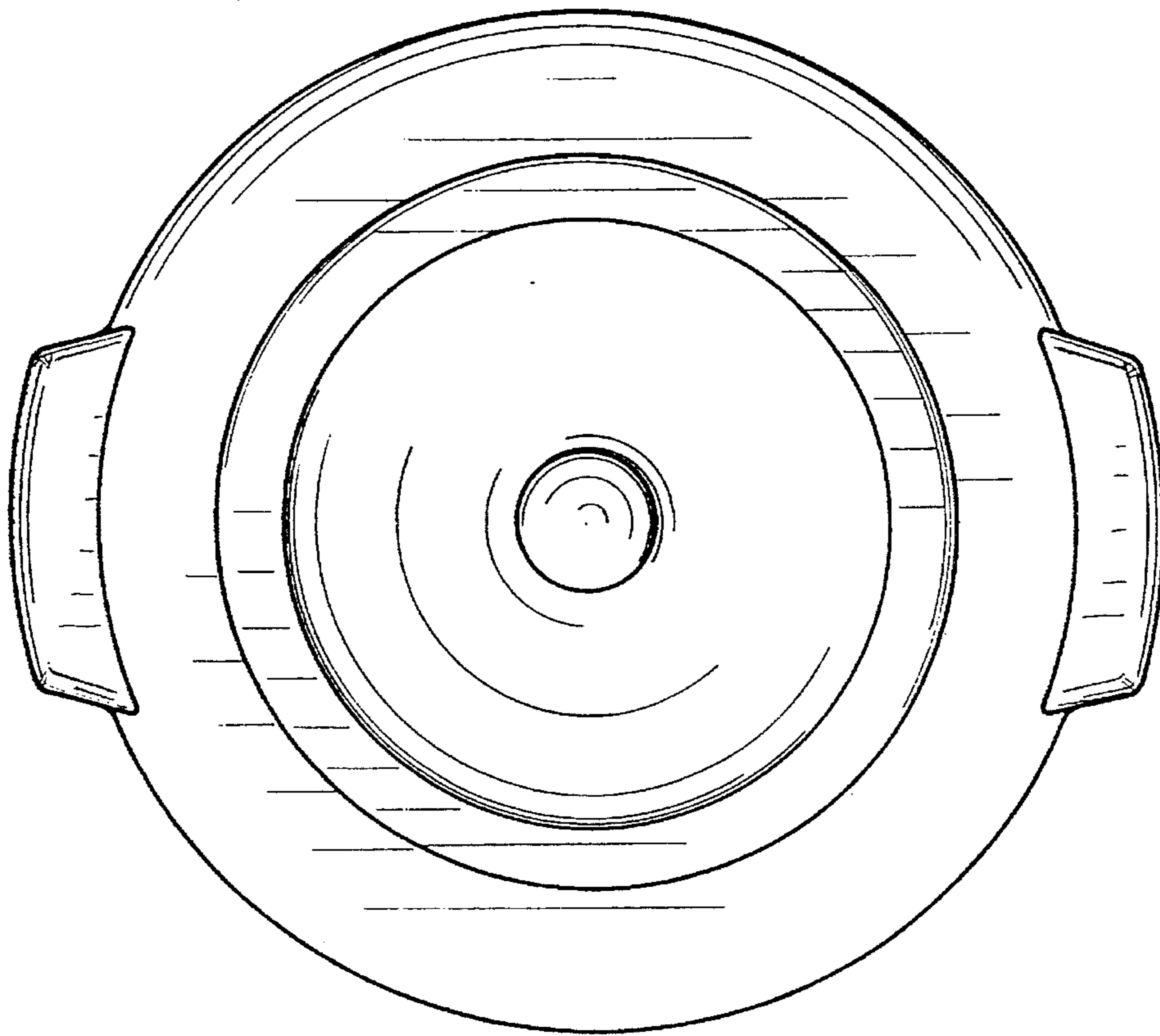


FIG. 6

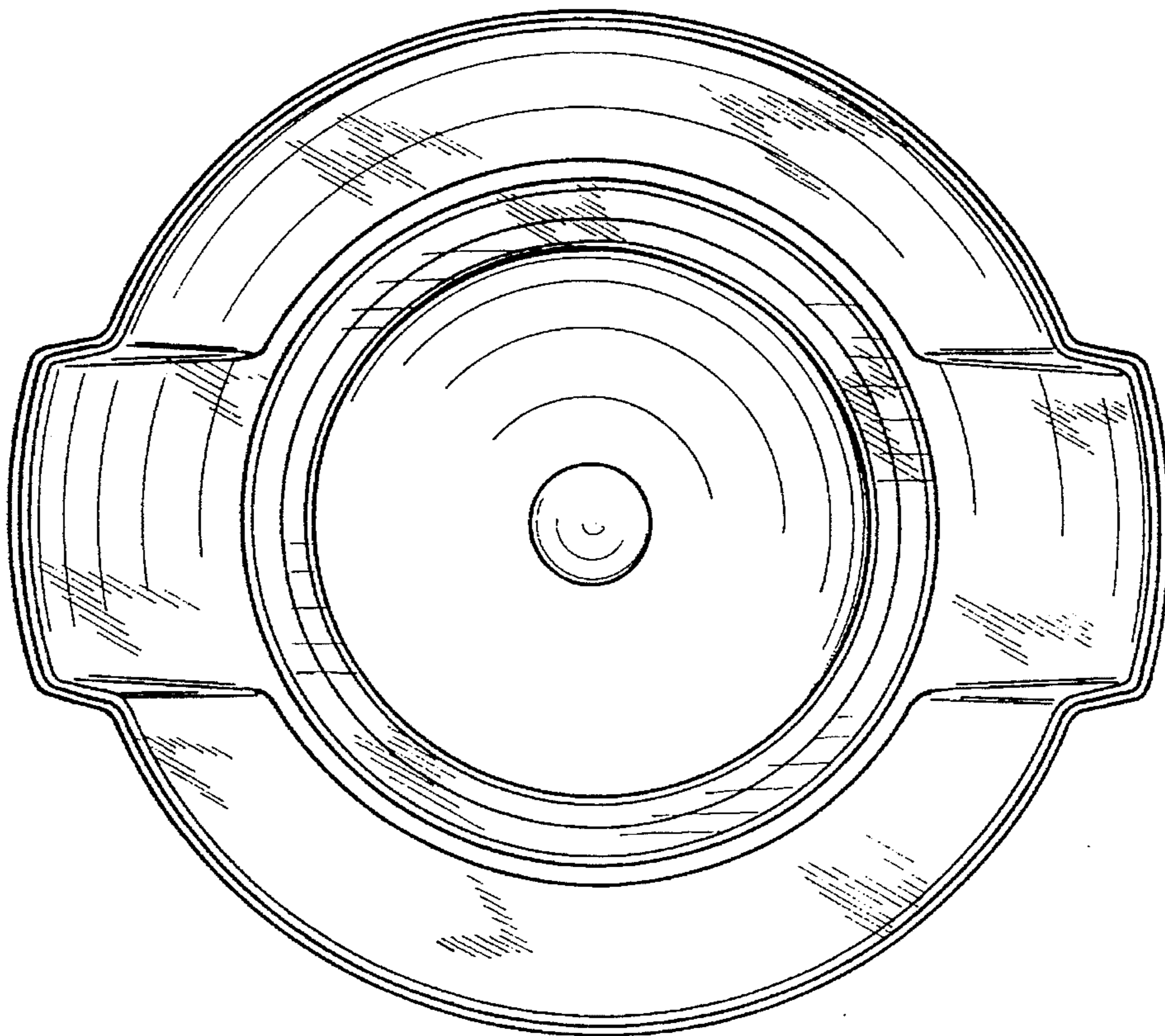


FIG. 5