



US00D364802S

United States Patent [19]
Adkins, Jr.

[11] **Patent Number:** **Des. 364,802**
[45] **Date of Patent:** ****Dec. 5, 1995**

[54] **PLASTIC OVER SOCKS**

5,170,957 12/1992 Carpenter 206/409 X

[76] Inventor: **Thurmond F. Adkins, Jr.**, Rte. 1 Box
242-D4 Old St. Marys Pike,
Parkersburg, W. Va. 26101

OTHER PUBLICATIONS

Packaging Catalog, 1941, p. 180, Item #1.
Packaging Catalog 1941, p. 154.

[**] Term: **14 Years**

Primary Examiner—Prabhakar G. Deshmukh

[21] Appl. No.: **29,053**

[57] **CLAIM**

[22] Filed: **Sep. 28, 1994**

The ornamental design for a plastic over socks, as shown and described.

[52] U.S. Cl. **D9/345; D9/415**

[58] **Field of Search** D9/341-348, 415,
D9/418, 416, 432, 433, 337; 206/461-470,
278, 282, 286, 287, 287.1, 495, 497, 820,
434; 229/87.15, 87.16, 87.17

DESCRIPTION

FIG. 1 is a front elevational view of the plastic over socks showing my new design;
FIG. 2 is a rear elevational view thereof;
FIG. 3 is a left side elevational view thereof;
FIG. 4 is a right side elevational view thereof;
FIG. 5 is a top plan view thereof;
FIG. 6 is a bottom plan view thereof; and,
FIG. 7 is perspective view thereof; shown in its environmental use; the broken lines showing of an environmental feature is for illustrative purpose only and forms no part of the claim.

[56] **References Cited**

U.S. PATENT DOCUMENTS

D. 299,620	1/1989	Kim	D9/345
D. 309,158	7/1990	Shattan	D9/206 X
D. 312,569	12/1990	Wijas	D9/345
806,506	12/1905	Sherwood	206/39.6
2,833,399	5/1958	Hartman	D9/415 X
3,870,150	3/1975	Hummel	206/278 X
4,238,541	12/1980	Burton	206/820 X
4,790,475	12/1988	Griffin	206/820 X

1 Claim, 4 Drawing Sheets

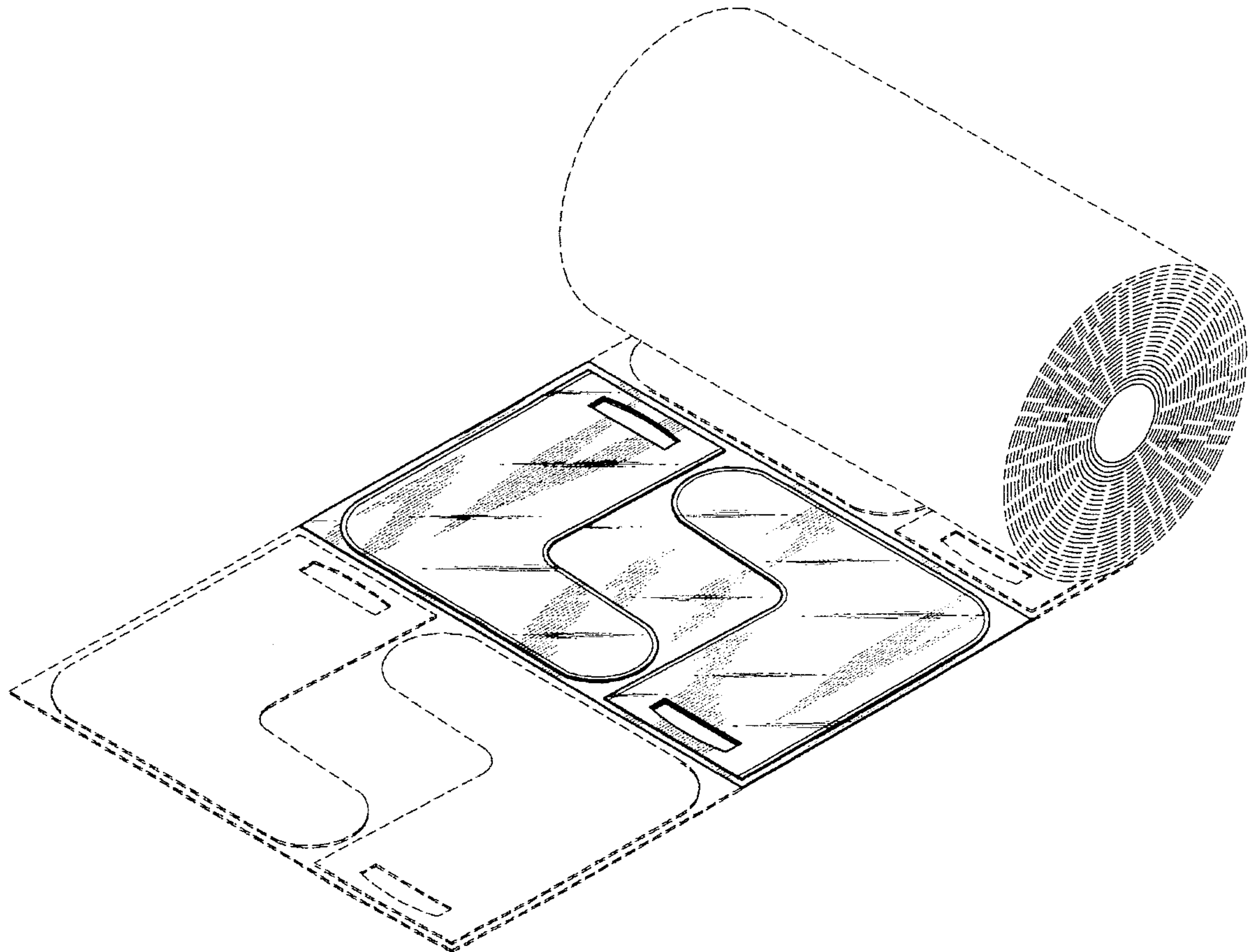


FIG. 1

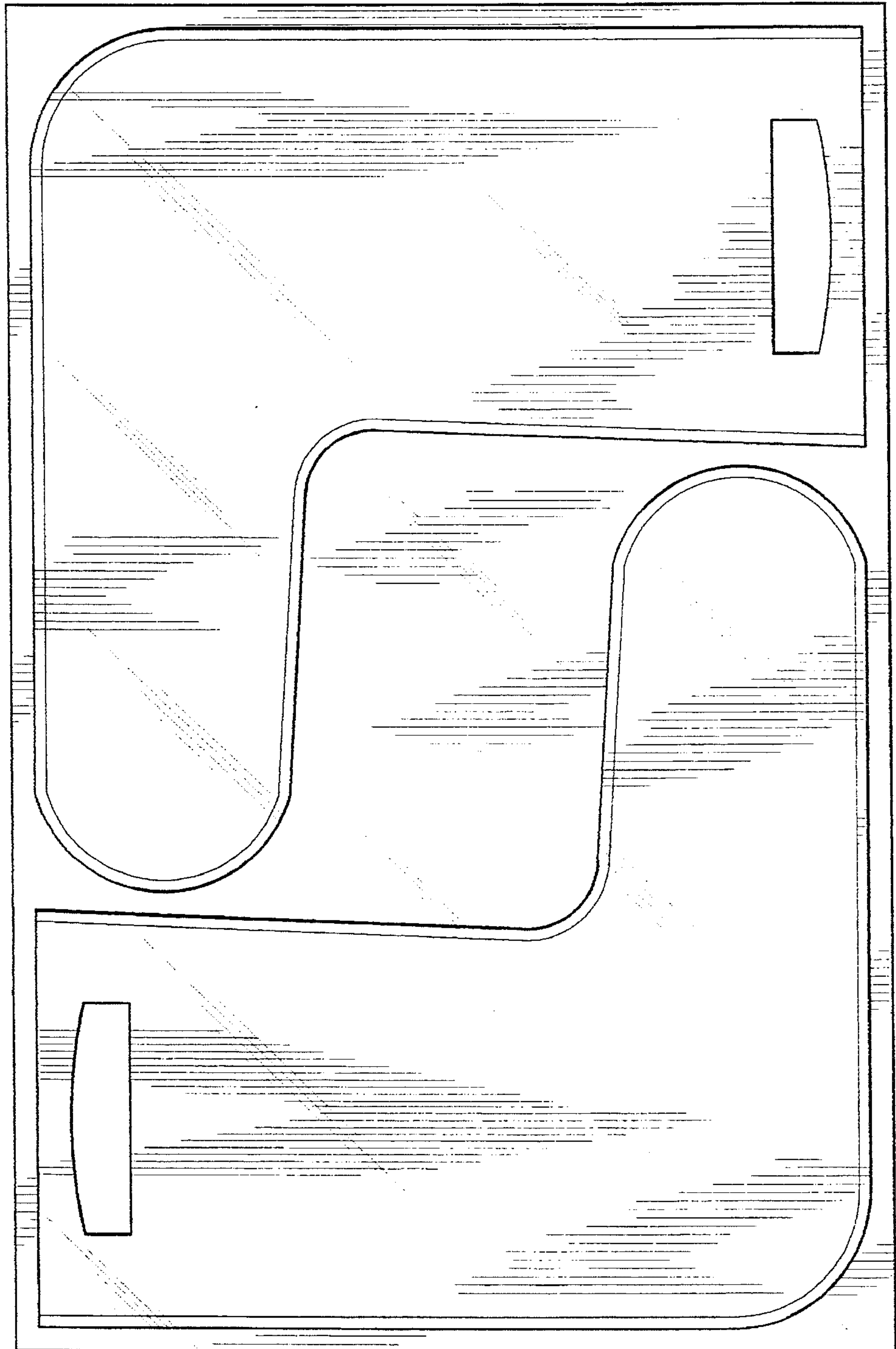


FIG. 2

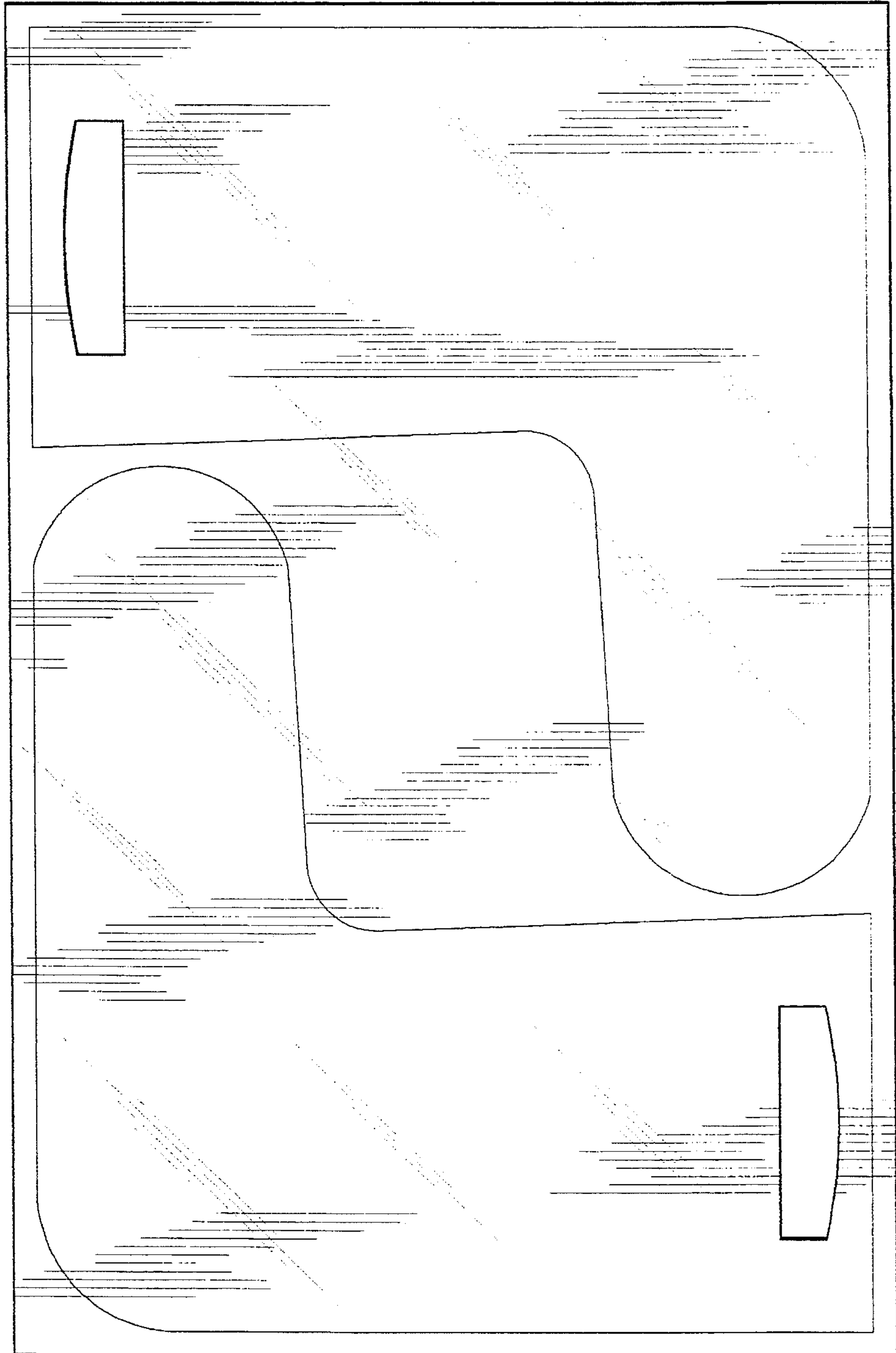


FIG. 3 FIG. 4

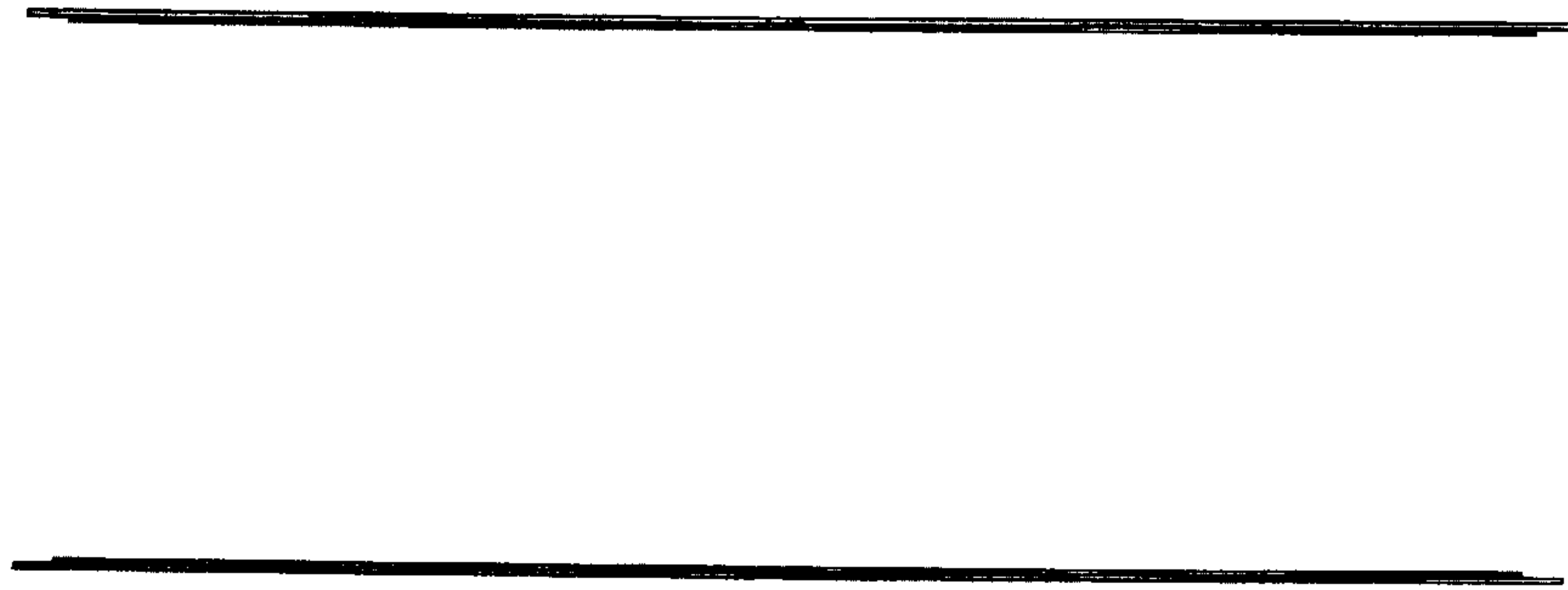


FIG. 5



FIG. 6



FIG. 7

