



US00D364801S

United States Patent [19]

Kuhn

[11] **Patent Number: Des. 364,801**

[45] **Date of Patent: **Dec. 5, 1995**

[54] **DISPENSING CONTAINER FOR SHOE CREAM**

[75] Inventor: **Peter Henrikes A. N. Kuhn**, JM Delft, Netherlands

[73] Assignee: **Sara Lee Corporation**, Winston-Salem, N.C.

[**] Term: **14 Years**

[21] Appl. No.: **27,799**

[22] Filed: **Aug. 29, 1994**

[52] U.S. Cl. **D9/338**; D9/503; D9/529

[58] **Field of Search** D28/7, 76, 77, D28/85, 86, 88, 89; D9/338, 530, 549, 537, 571, 540, 575, 418, 529, 424, 425, 542, 558, 536; D32/35, 45; D4/114, 116, 127; 401/202, 206, 262, 264, 269, 192, 196, 139; D3/200; 15/104.92-104.94, 107

[56] **References Cited**

U.S. PATENT DOCUMENTS

D. 185,388	6/1959	Peters	D28/86	X
D. 197,925	4/1964	Allen	D9/571	X
D. 210,067	2/1968	Abe	D9/529	
D. 221,602	8/1971	Neis	D9/338	X
D. 236,799	9/1975	Kapuscinski	D9/529	X

D. 271,049	10/1983	DuCret	D9/529	X
D. 294,409	2/1988	Kemmerer	D9/529	X
D. 320,310	10/1991	Kuhn	D4/114	
3,010,140	11/1961	Thomas	401/262	
3,056,998	10/1962	Ebner	401/207	X
3,545,874	12/1970	Schwartzman	.		
4,201,491	5/1980	Kohler	.		
4,480,940	11/1984	Woodruff	401/206	
4,762,433	8/1988	Bergeson et al.	401/206	
4,993,859	2/1991	Assad et al.	401/206	
5,131,777	7/1992	Kimura et al.	401/202	

Primary Examiner—Ted Shooman
Assistant Examiner—C. Tuttle

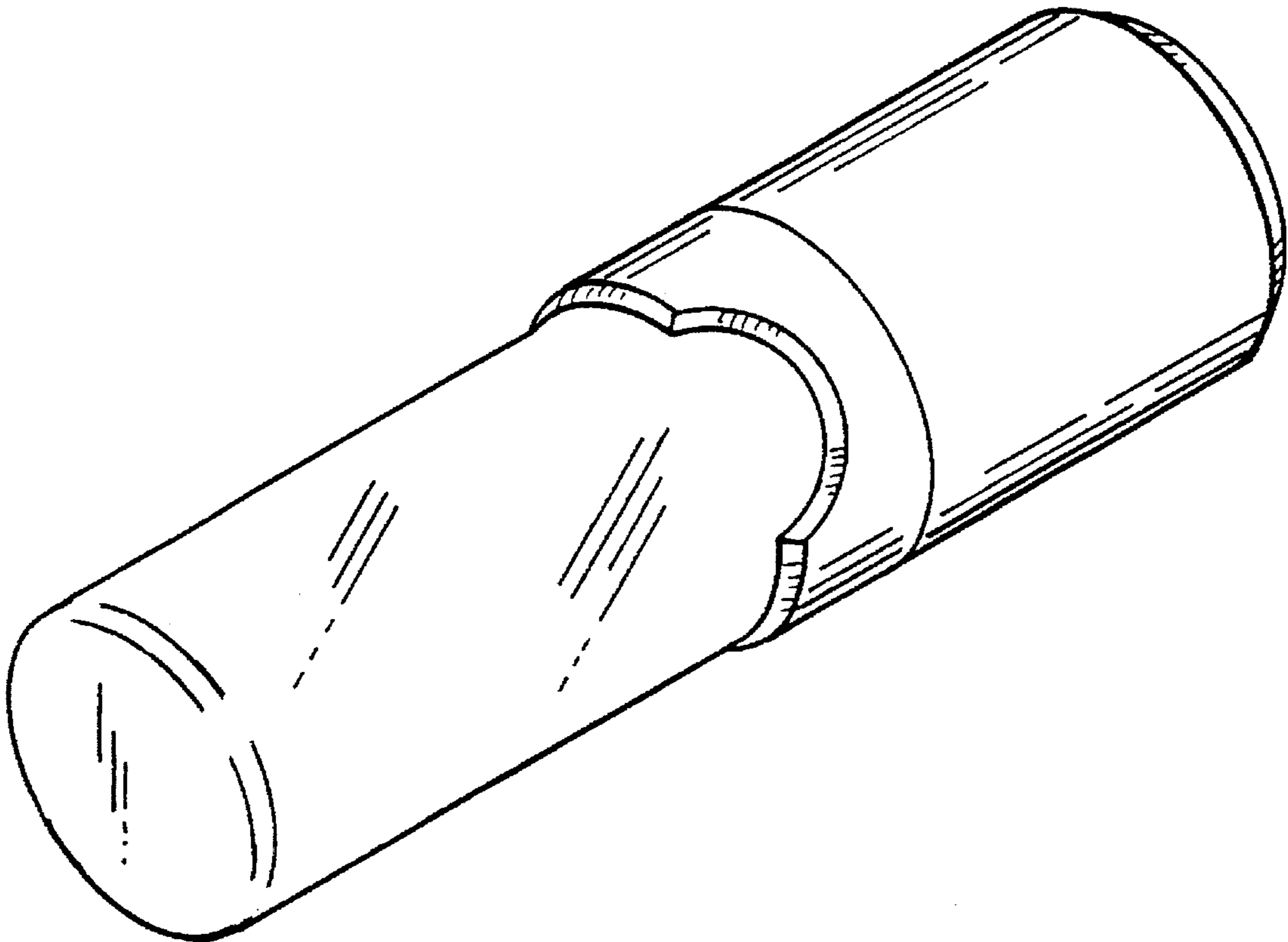
[57] **CLAIM**

The ornamental design for an dispensing container for shoe cream, as shown and described.

DESCRIPTION

FIG. 1 is a perspective view showing my new design; FIG. 2 is a side elevational view thereof, the side opposite being identical to the side shown; FIG. 3 is a side elevational view thereof, rotated 90° from FIG. 2, the side opposite being identical to the side shown; FIG. 4 is a top plan view thereof; and, FIG. 5 is a bottom view thereof.

1 Claim, 1 Drawing Sheet



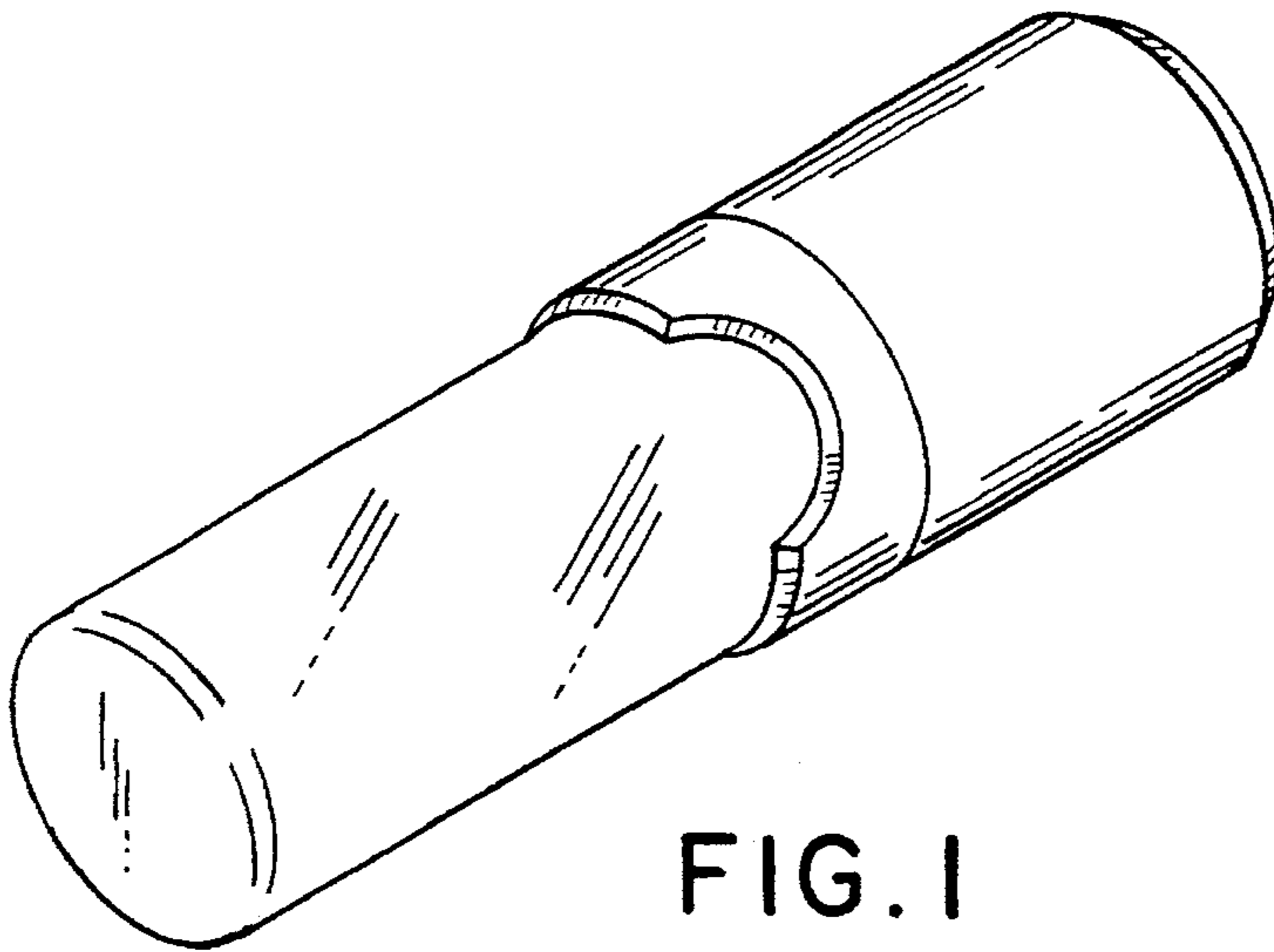


FIG. 1

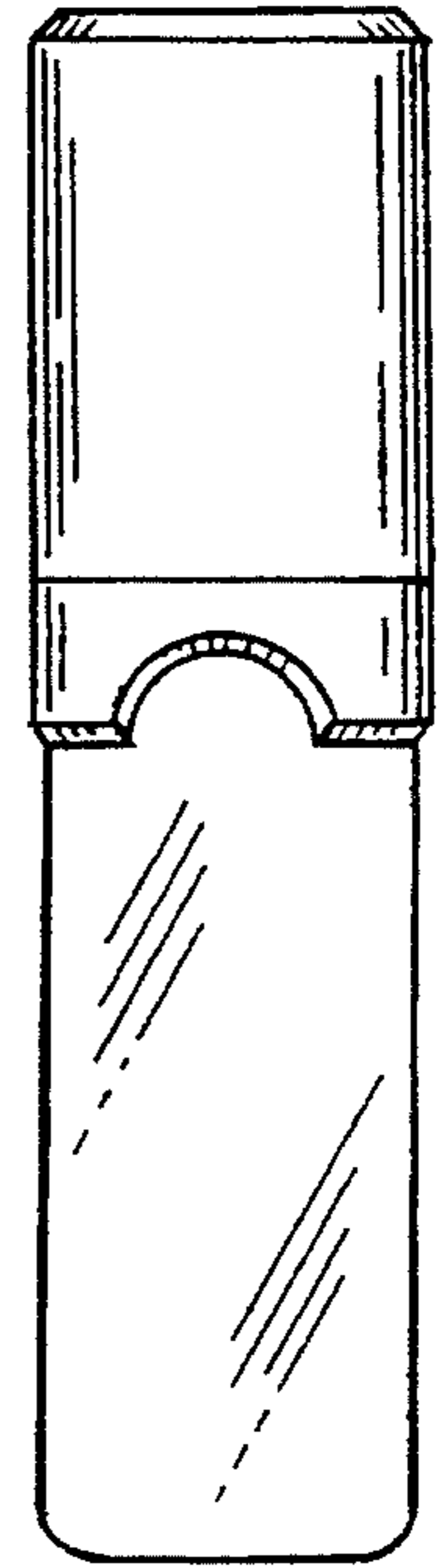


FIG. 2

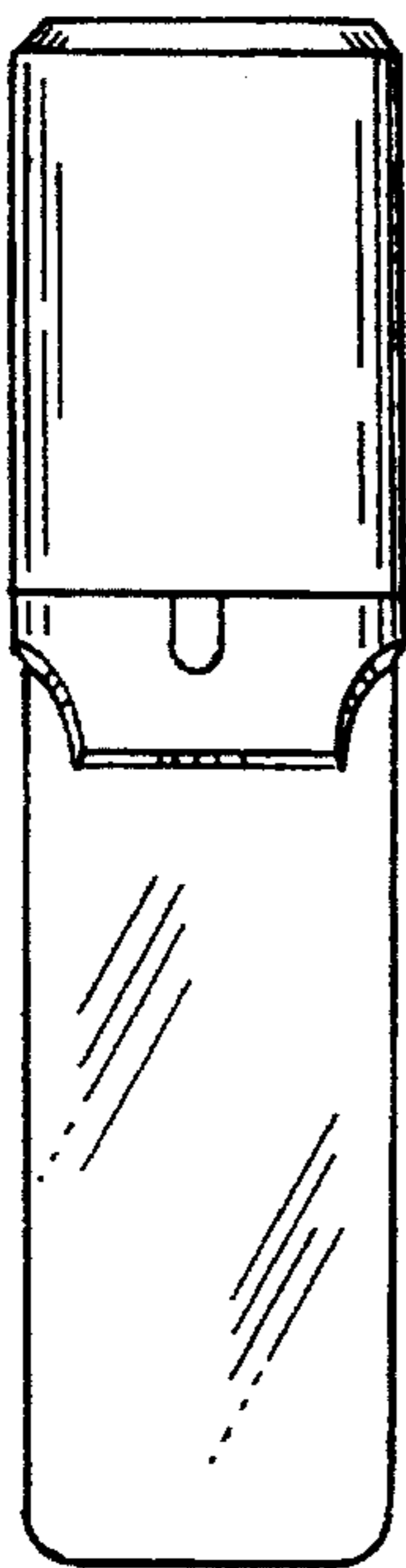


FIG. 3

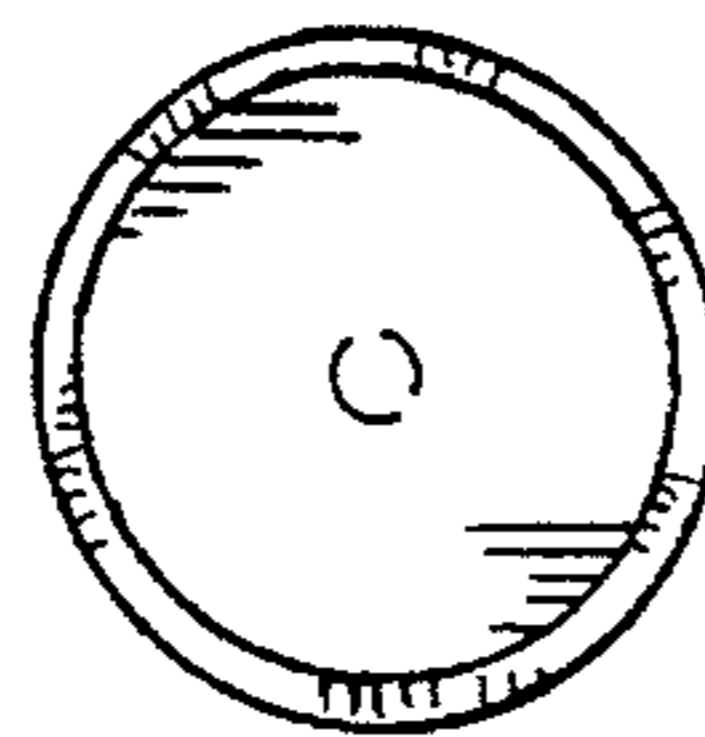


FIG. 4

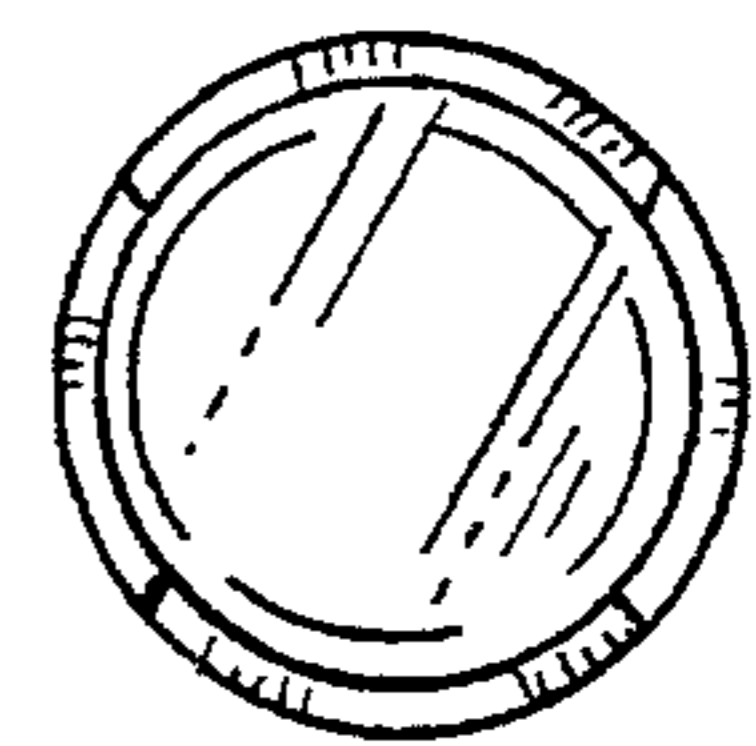


FIG. 5