



US00D364799S

# United States Patent [19] Callas

[11] Patent Number: **Des. 364,799**  
[45] Date of Patent: **\*\*Dec. 5, 1995**

[54] **COMBINED CLAMP AND HOOK**  
[75] Inventor: **Mike T. Callas**, Minneapolis, Minn.  
[73] Assignee: **Callas Enterprises**, Tonka Bay, Minn.  
[\*\*] Term: **14 Years**

3,148,856 9/1964 Orlando .  
3,178,138 4/1965 Hessodoerfer et al. .  
3,532,310 10/1970 Finfrock .  
3,952,985 4/1976 Davenport ..... 248/340 X  
4,112,550 9/1978 DeWitt et al. .... 248/228 X  
4,677,780 7/1987 Shuman .  
4,776,116 10/1988 Shuman .  
4,776,549 11/1988 Anastos .  
5,188,332 2/1993 Callas ..... 248/340 X

[21] Appl. No.: **23,008**  
[22] Filed: **May 17, 1994**  
[52] U.S. Cl. .... **D8/395; D8/367; D8/373; D20/99**  
[58] Field of Search ..... **D8/395, 394, 396, D8/373, 367, 349, 382, 356; 248/340, 307, 228; D20/43, 99**

### FOREIGN PATENT DOCUMENTS

1030537 12/1952 Germany ..... 248/307

*Primary Examiner*—Lucy Lieberman  
*Attorney, Agent, or Firm*—Burd, Bartz & Gutenkauf

### [56] References Cited

#### U.S. PATENT DOCUMENTS

D. 229,452 11/1973 Bentley .  
D. 240,709 7/1976 Vandenberg ..... D8/356  
D. 283,674 5/1986 Paradis et al. .... D8/367 X  
D. 289,251 4/1987 Joseph ..... D8/373  
D. 321,639 11/1991 Adams ..... D8/373  
D. 321,914 11/1991 Tam .  
D. 347,449 5/1994 Garfinkle .  
D. 350,157 8/1994 Hart .  
1,417,325 4/1922 Hopp .  
1,717,156 6/1929 Johansson ..... 248/307  
2,704,409 3/1955 Randall .

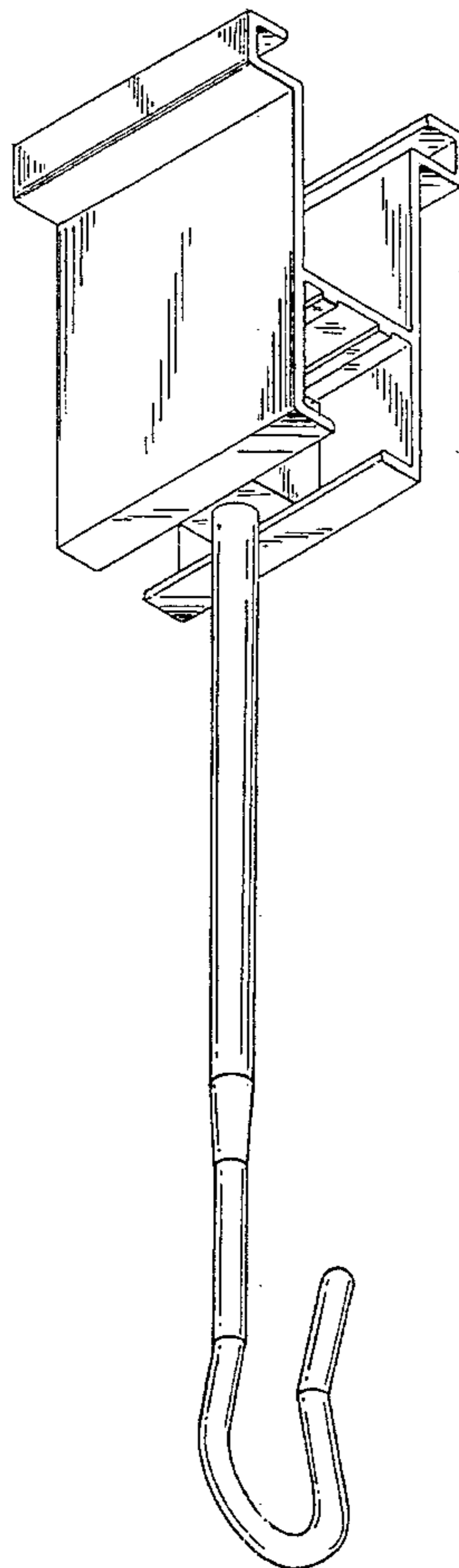
### [57] CLAIM

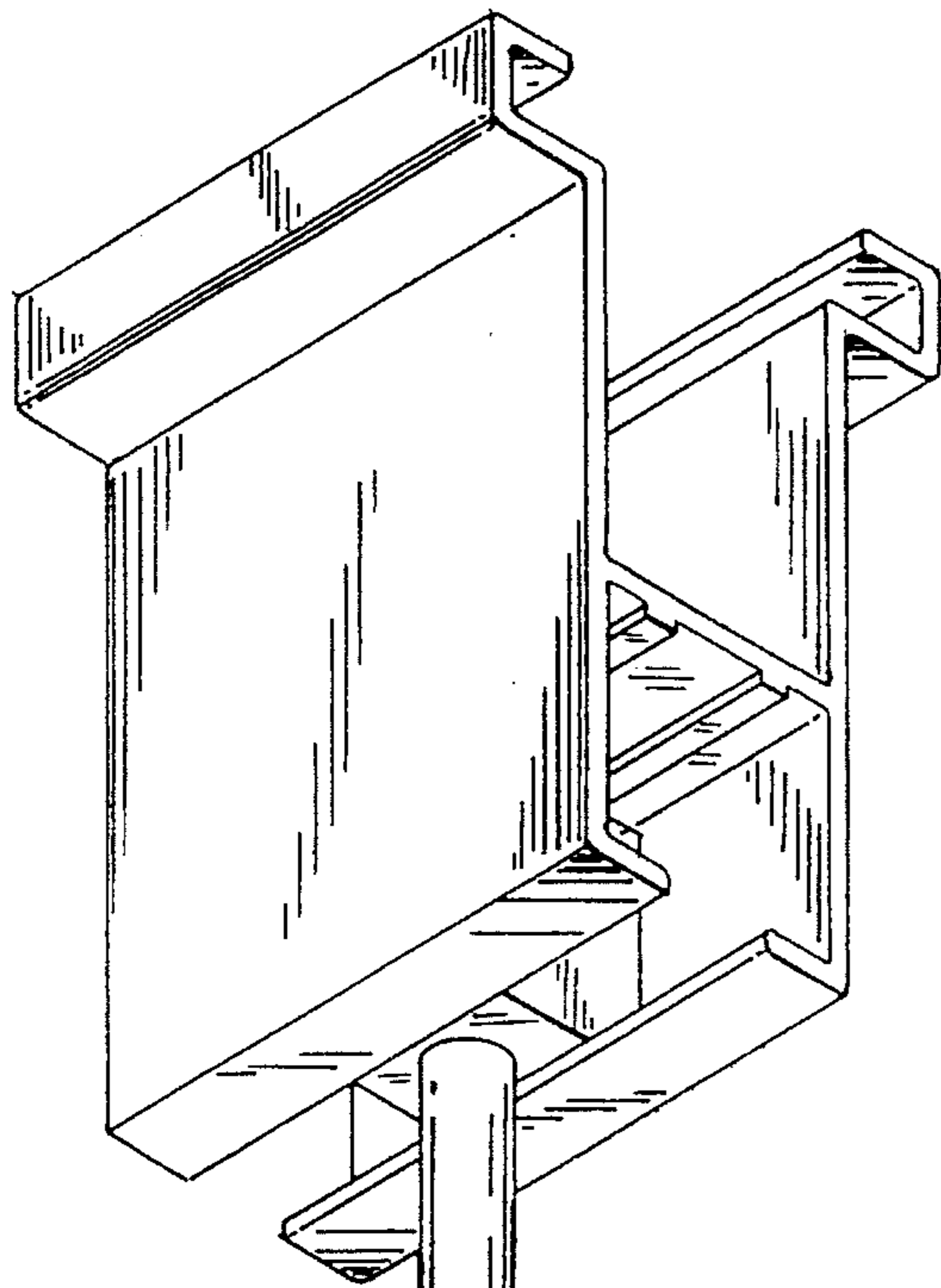
The ornamental design for a combined clamp and hook, as shown and described.

### DESCRIPTION

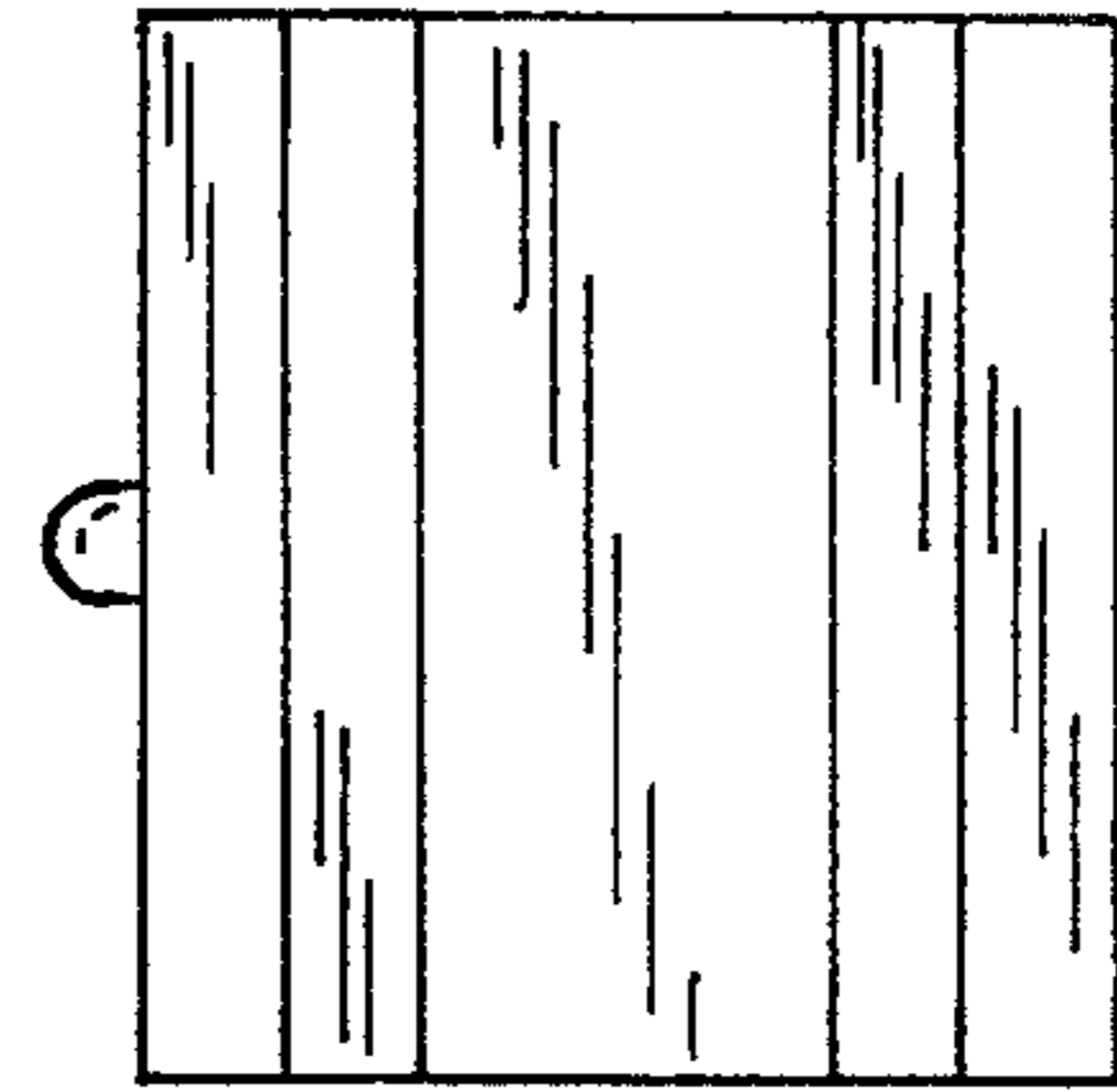
FIG. 1 is a rear perspective view of the combined clamp and hook showing my new design;  
FIG. 2 is a side elevational view thereof, the opposite side being a mirror image thereof;  
FIG. 3 is a front elevational view thereof;  
FIG. 4 is a top plan view thereof; and,  
FIG. 5 is a bottom plan view thereof.

**1 Claim, 2 Drawing Sheets**

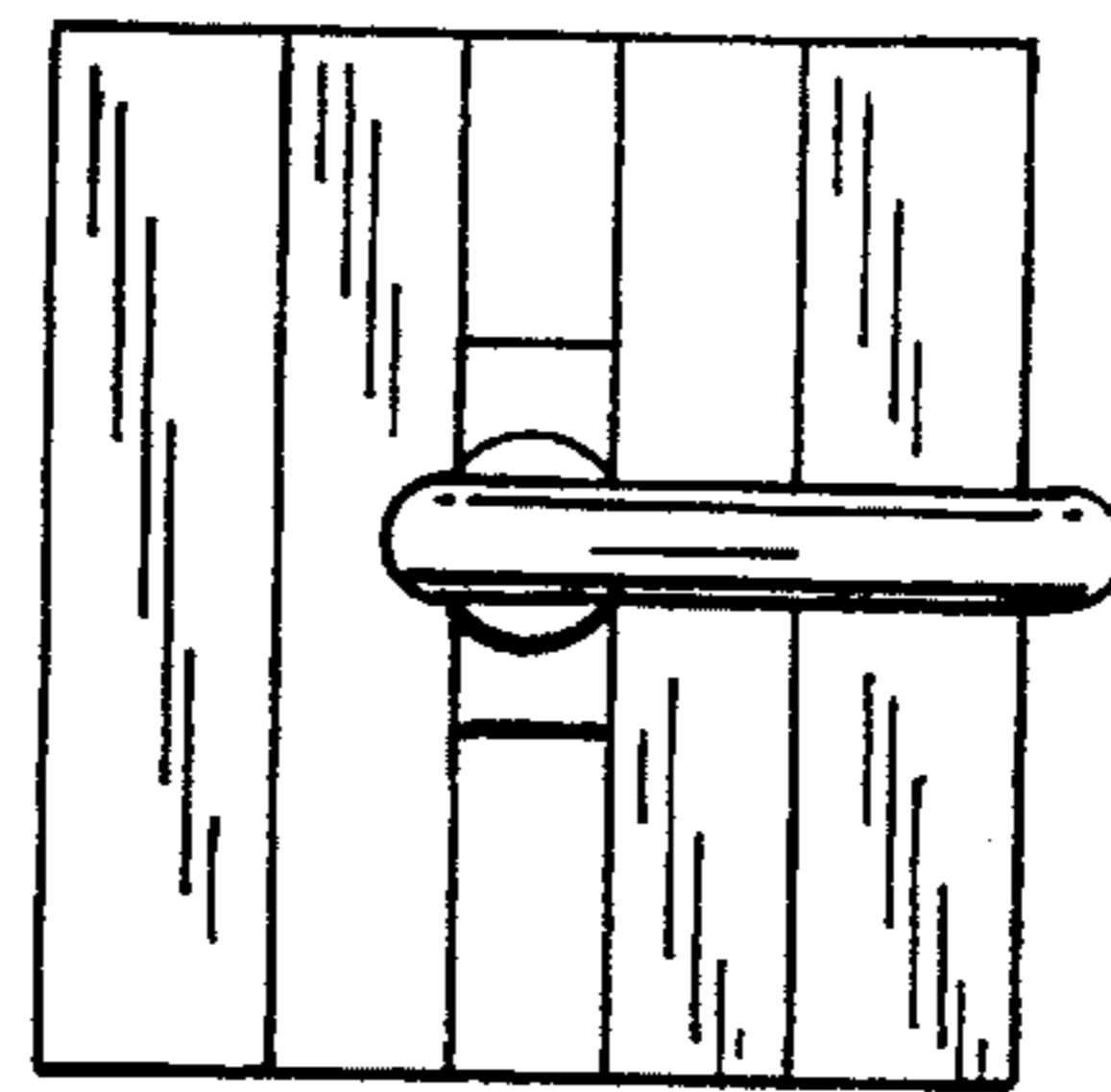




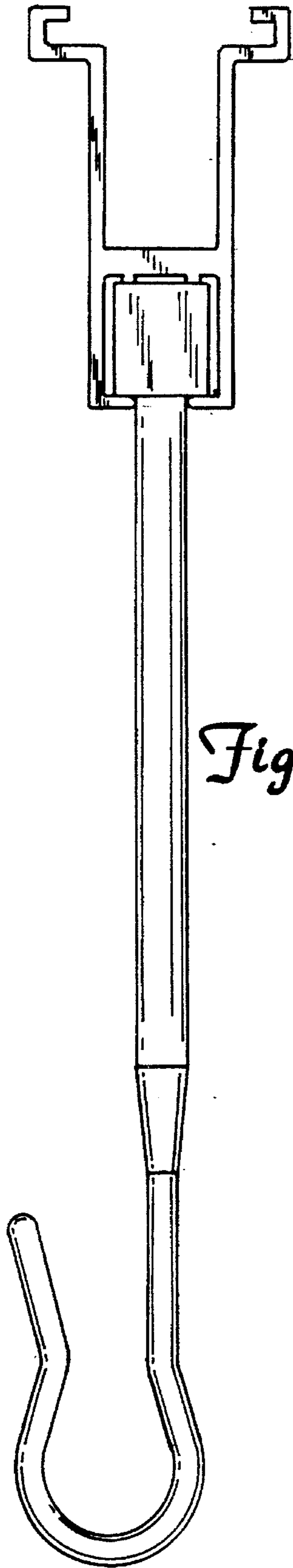
*Fig. 1*



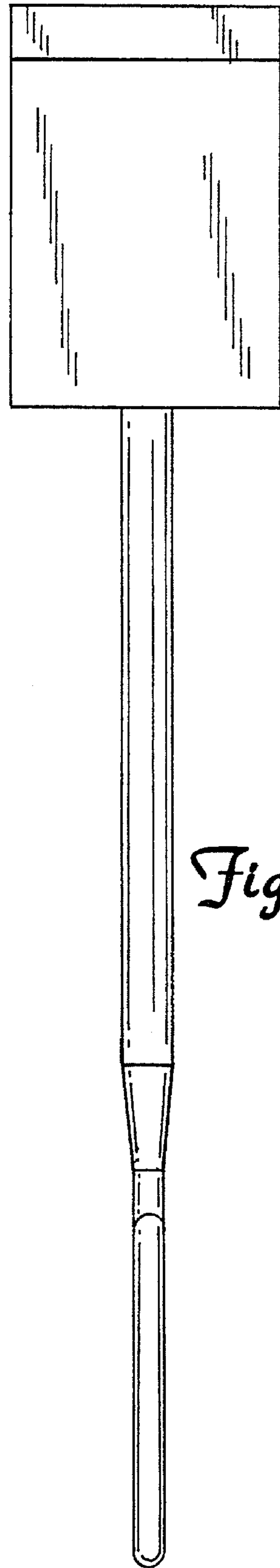
*Fig. 4*



*Fig. 5*



*Fig. 2*



*Fig. 3*