



US00D364796S

United States Patent [19]

[11] Patent Number: **Des. 364,796**

Yates

[45] Date of Patent: ****Dec. 5, 1995**

[54] **SUPPORT FOR A PORTABLE INSTRUMENT CONTROL BOX**

4,848,624	7/1989	Clem .
4,915,278	4/1990	Smith .
4,981,243	1/1991	Rogowski .
5,152,593	10/1992	Domenig .
5,186,375	2/1993	Plonk .
5,205,448	4/1993	Kester et al. .

[75] Inventor: **Steve K. Yates**, Scotland, Pa.

[73] Assignee: **Ingersoll-Rand Company**, Woodcliff Lake, N.J.

[**] Term: **14 Years**

[21] Appl. No.: **30,835**

[22] Filed: **Nov. 9, 1994**

FOREIGN PATENT DOCUMENTS

0563590	10/1993	European Pat. Off. .
0111551	8/1944	Sweden .
0120732	1/1948	Sweden .

Primary Examiner—A. Hugo Word
Assistant Examiner—Holly H. Baynham
Attorney, Agent, or Firm—John J. Selko

Related U.S. Application Data

[62] Division of Ser. No. 101,125, Aug. 2, 1993, abandoned.
 [52] U.S. Cl. **D8/354**
 [58] Field of Search D8/373, 380, 349,
 D8/354, 359; 248/27.1, 115, 200; 224/202;
 D15/140-141; D12/223; 211/70.1, 71-72

[57] CLAIM

The ornamental design for a support for a portable instrument control box, as shown and described.

[56] References Cited

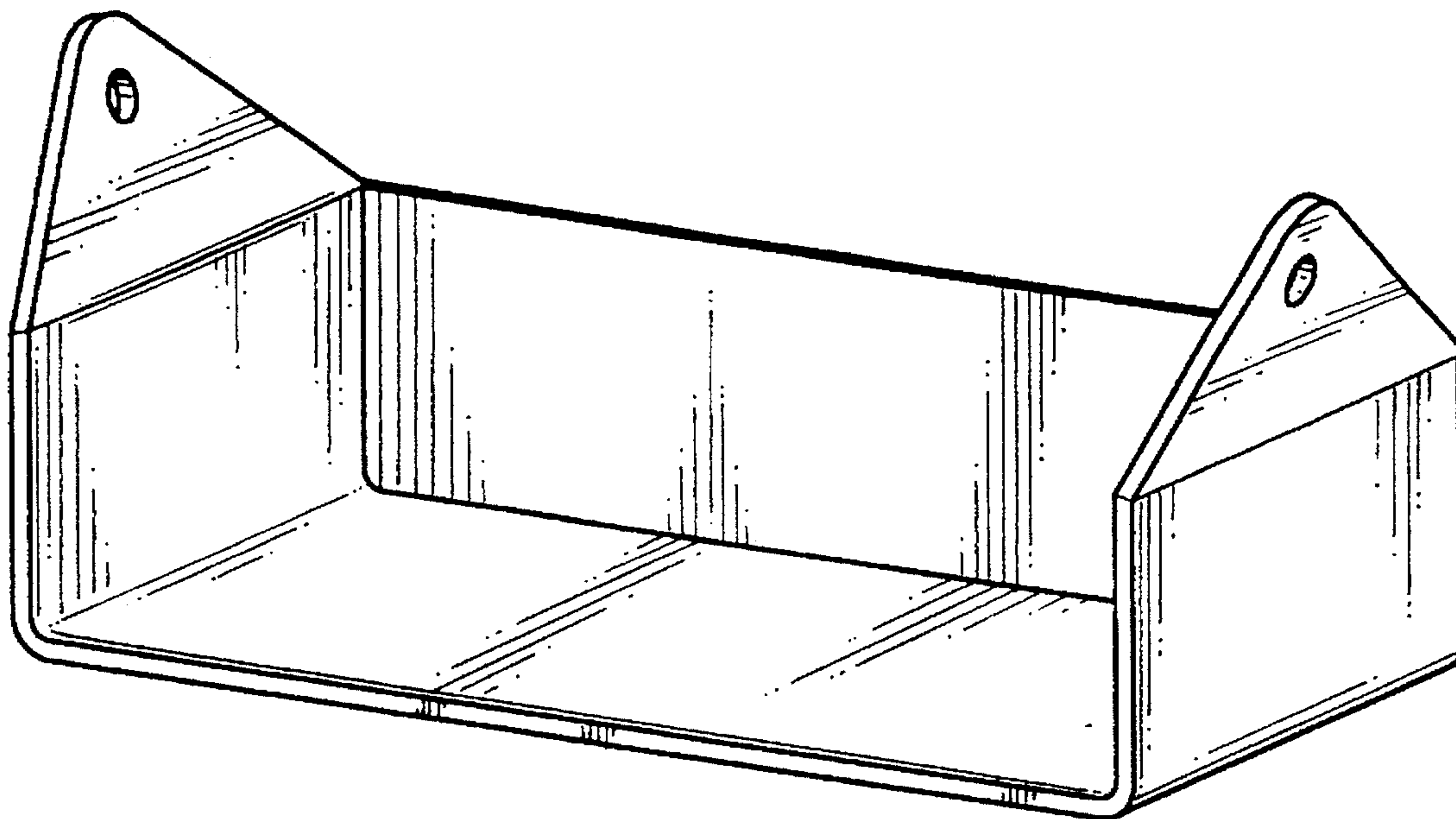
U.S. PATENT DOCUMENTS

D. 257,948	1/1981	Klingensmith	D8/354
1,542,163	6/1925	Morde .		
3,087,118	4/1963	Goffstein	248/27.1 X
3,746,931	7/1973	Muranaka	248/27.1 X
3,881,534	5/1975	Gist .		
3,884,403	5/1975	Brewer .		
4,320,863	3/1982	Lyer et al. .		
4,690,316	9/1987	Peterson .		

DESCRIPTION

FIG. 1 is a top, front, right side perspective view of the invention;
 FIG. 2 is a front view of the invention;
 FIG. 3 is a top view of the invention;
 FIG. 4 is a rear view of the invention;
 FIG. 5 is a bottom view of the invention; and,
 FIG. 6 is a right side view of the invention, the left side being a mirror image of the right side.

1 Claim, 2 Drawing Sheets



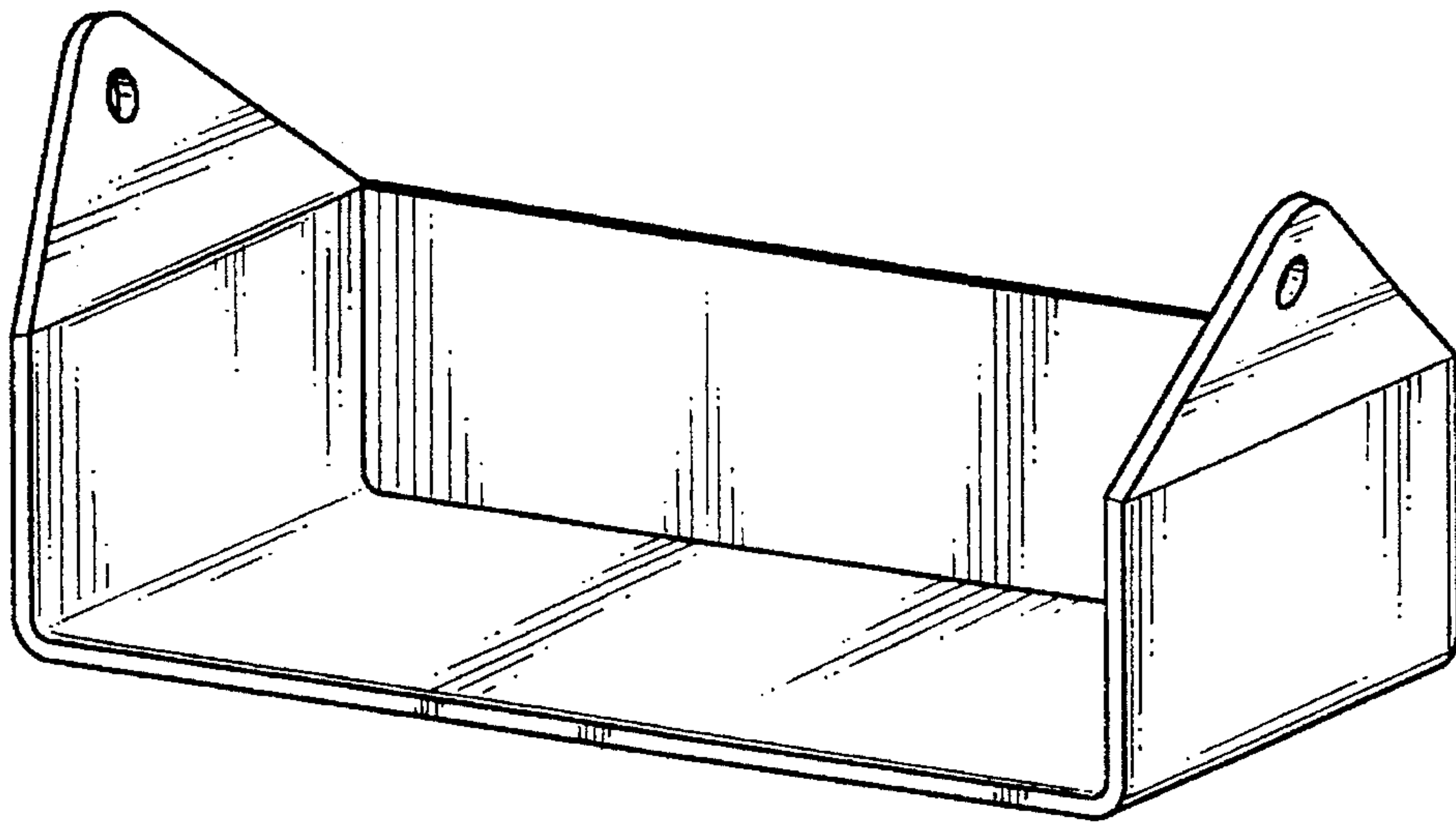


FIG. 1

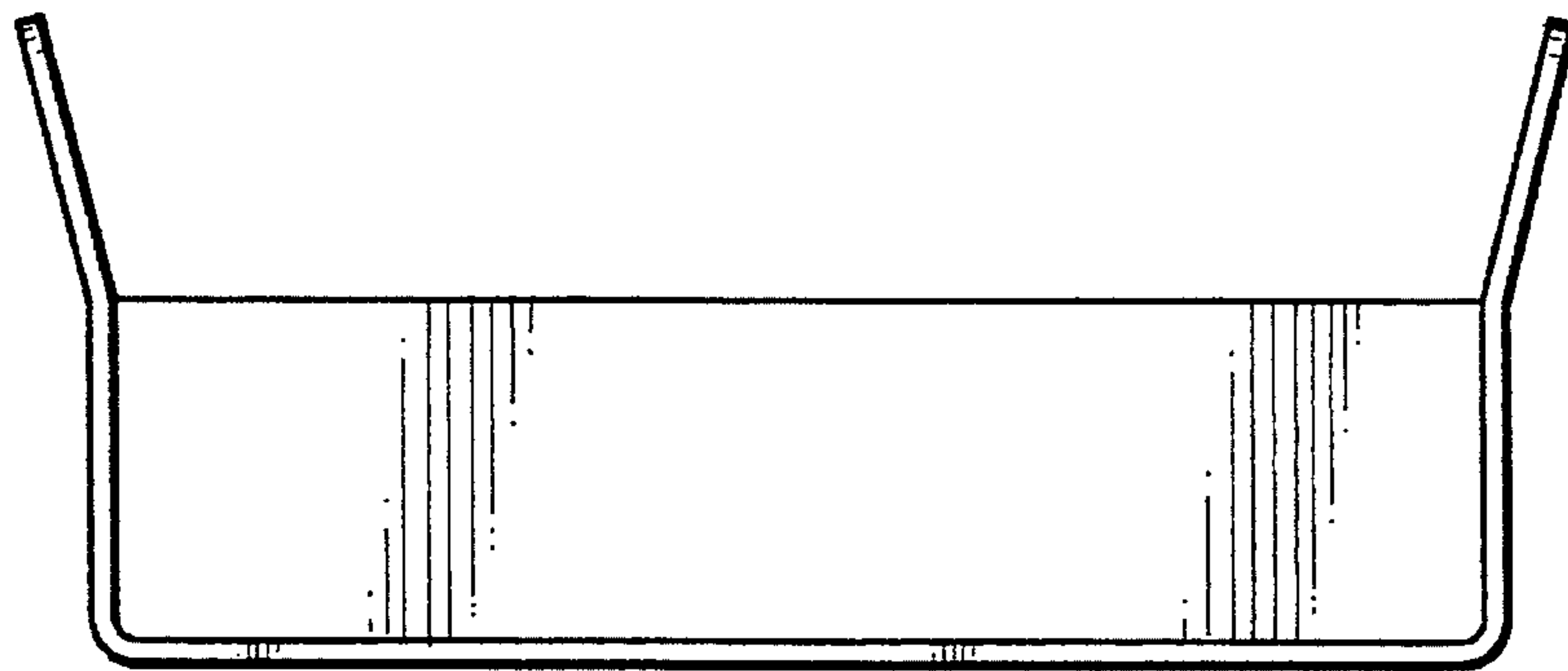


FIG. 2

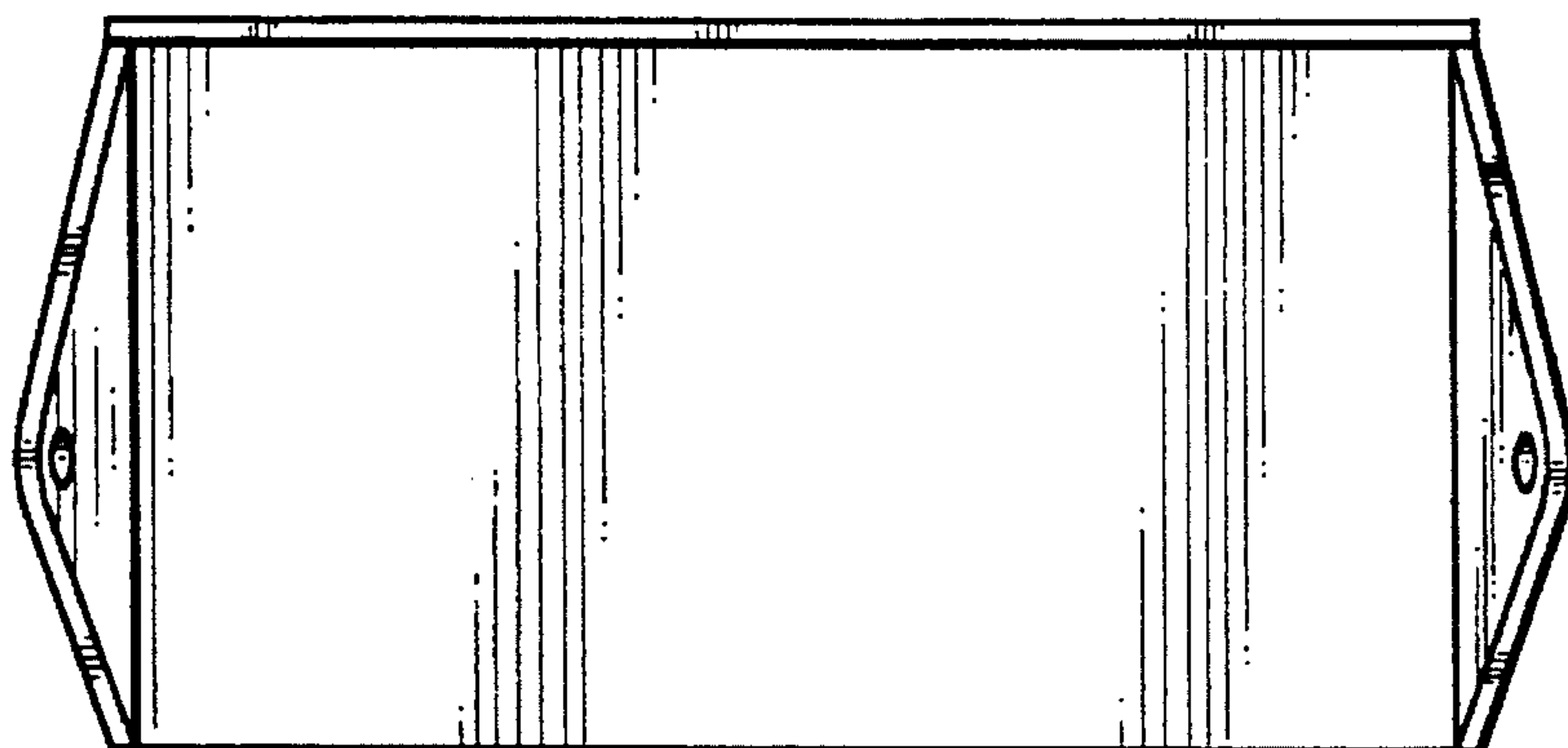


FIG. 3

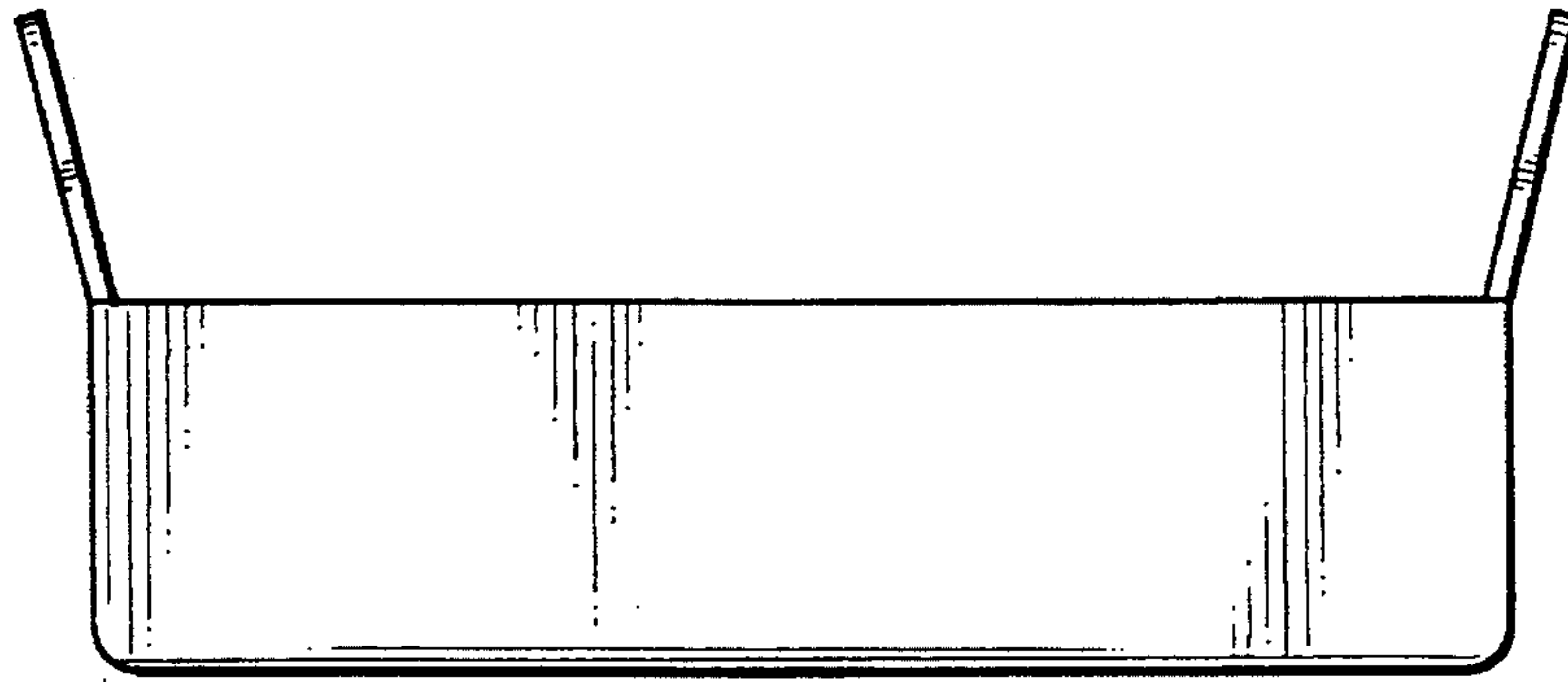


FIG. 4

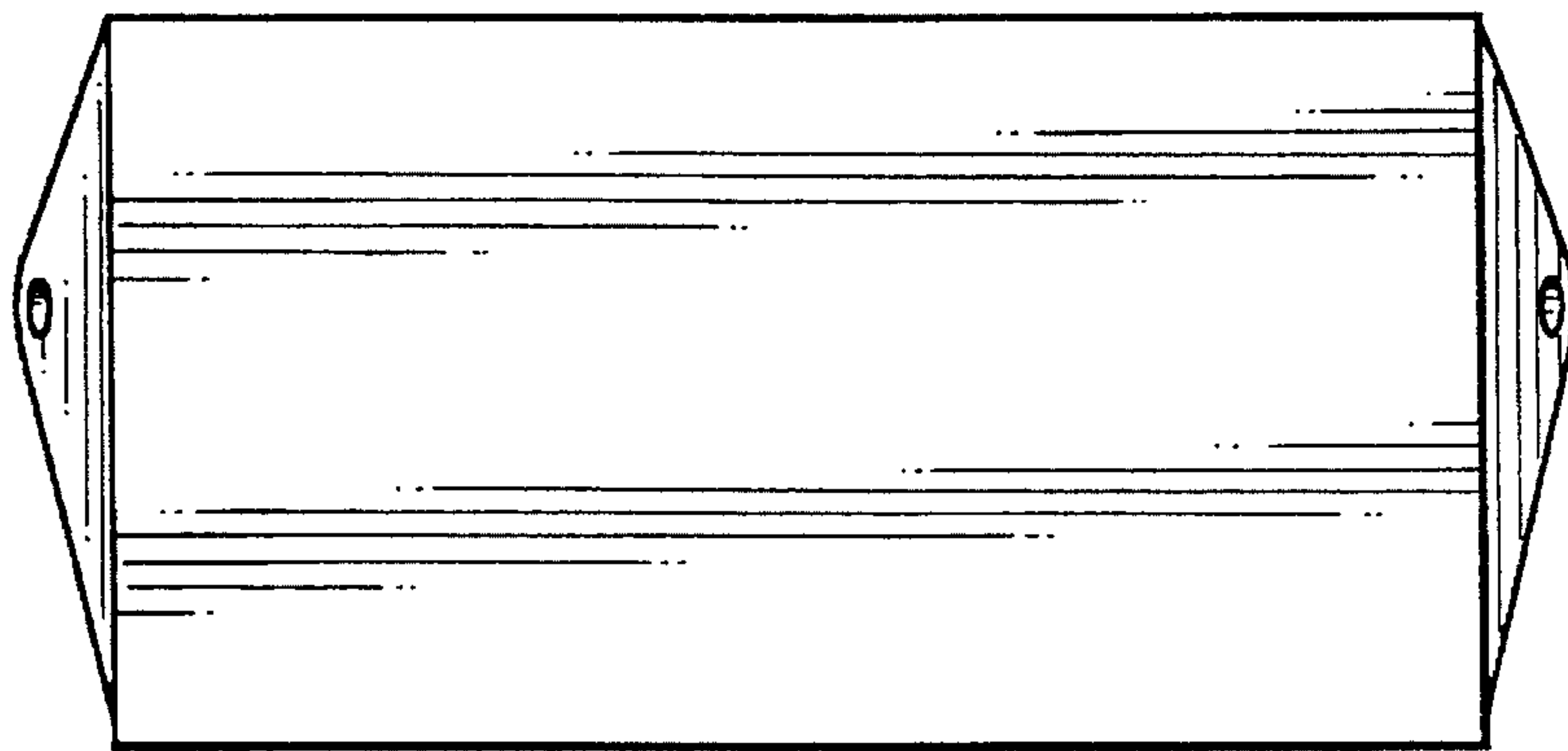


FIG. 5

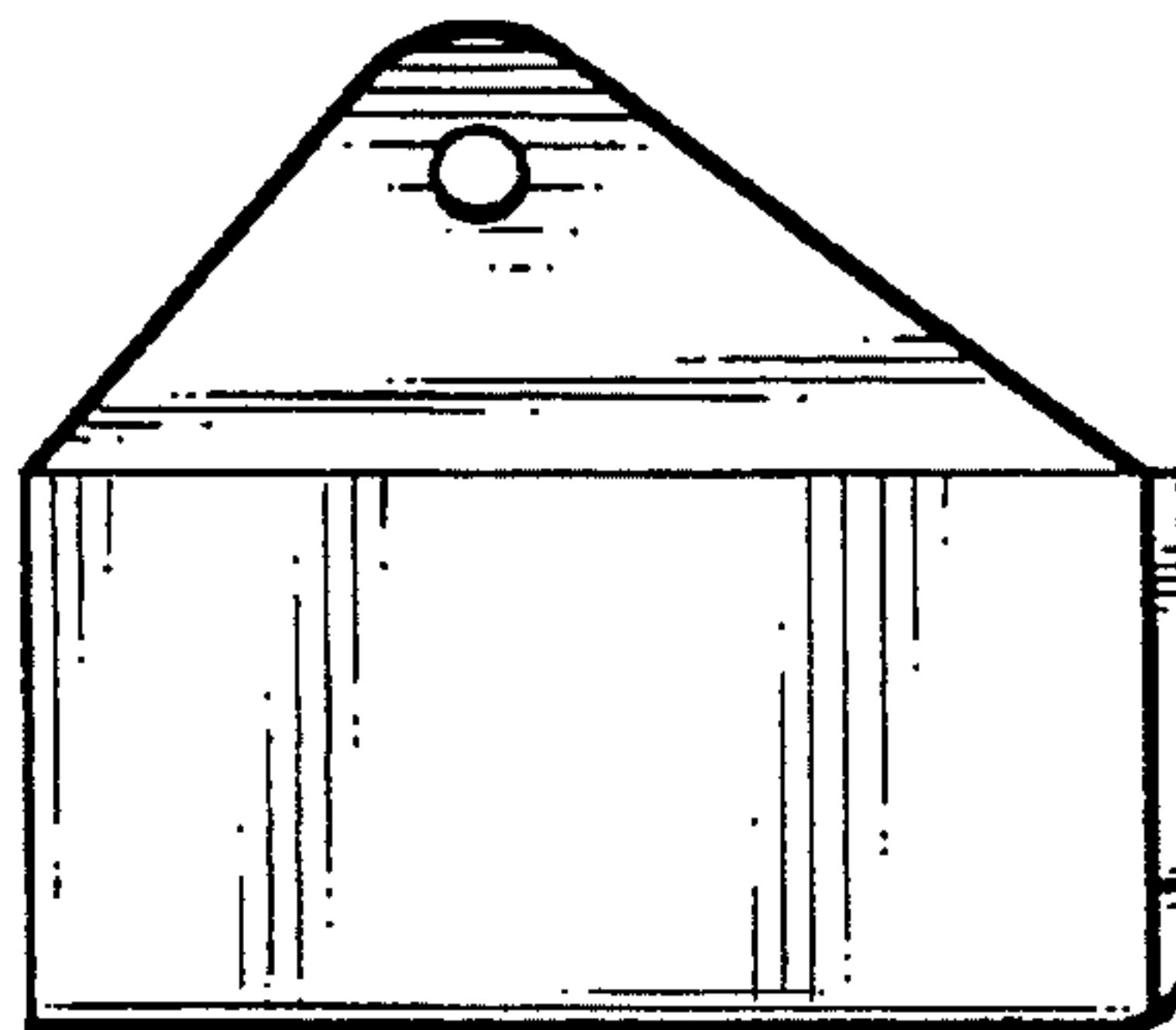


FIG. 6