



US00D364794S

**United States Patent** [19]  
**Eberschlag**

[11] **Patent Number:** **Des. 364,794**  
[45] **Date of Patent:** **\*\*Dec. 5, 1995**

[54] **POST BRACKET**

[76] Inventor: **Warren Eberschlag**, 34 Elgin Street,  
Thornhill, Ontario, Canada, L3T 1W4

[\*\*] Term: **14 Years**

[21] Appl. No.: **5,270**

[22] Filed: **Mar. 1, 1993**

[52] U.S. Cl. .... **D8/354**

[58] **Field of Search** ..... D8/354; 52/713,  
52/715, 295, 296; 248/218.4, 219.1; D25/133,  
134

[56] **References Cited**

**U.S. PATENT DOCUMENTS**

- D. 256,663 9/1980 Gilb ..... D8/354
- D. 260,481 9/1981 Norcross et al. .... D8/354 X
- D. 265,051 6/1982 Hentzschel ..... D8/354

**OTHER PUBLICATIONS**

Sweets catalog, 1977, p. 6.6 Sim, post cap located at top left corner of page.

*Primary Examiner*—Wallace R. Burke

*Assistant Examiner*—H. Baynham  
*Attorney, Agent, or Firm*—Ridout & Maybee

[57] **CLAIM**

The ornamental design for a post bracket, as shown and described.

**DESCRIPTION**

FIG. 1 is a perspective view of the post bracket;  
 FIG. 2 is a perspective view taken opposite FIG. 1;  
 FIG. 3 is a top view;  
 FIG. 4 is a front elevation;  
 FIG. 5 is a side elevation;  
 FIG. 6 is a rear elevation;  
 FIG. 7 is a side elevation taken opposite FIG. 5; and,  
 FIG. 8 is a bottom view.

**1 Claim, 2 Drawing Sheets**

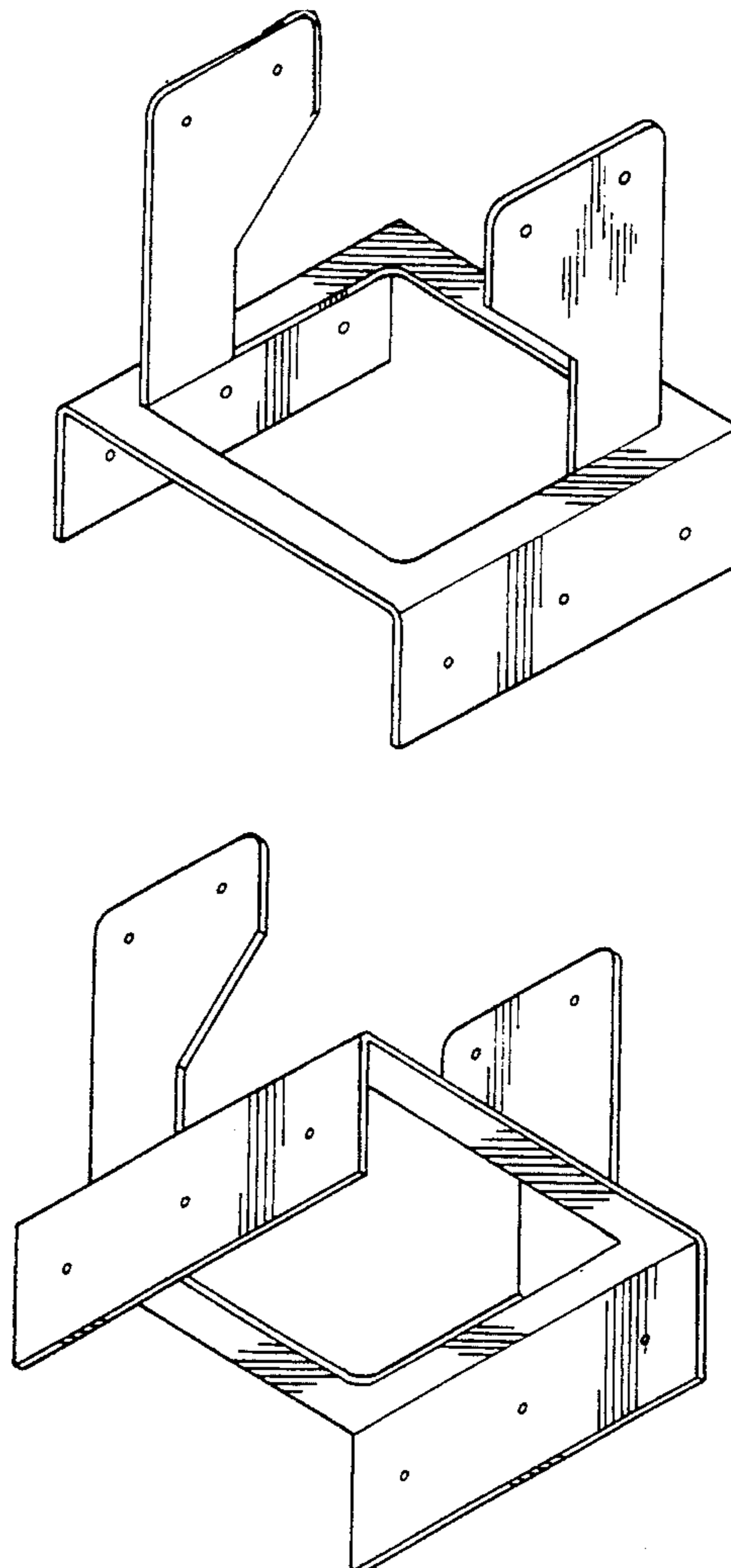


FIG. 1

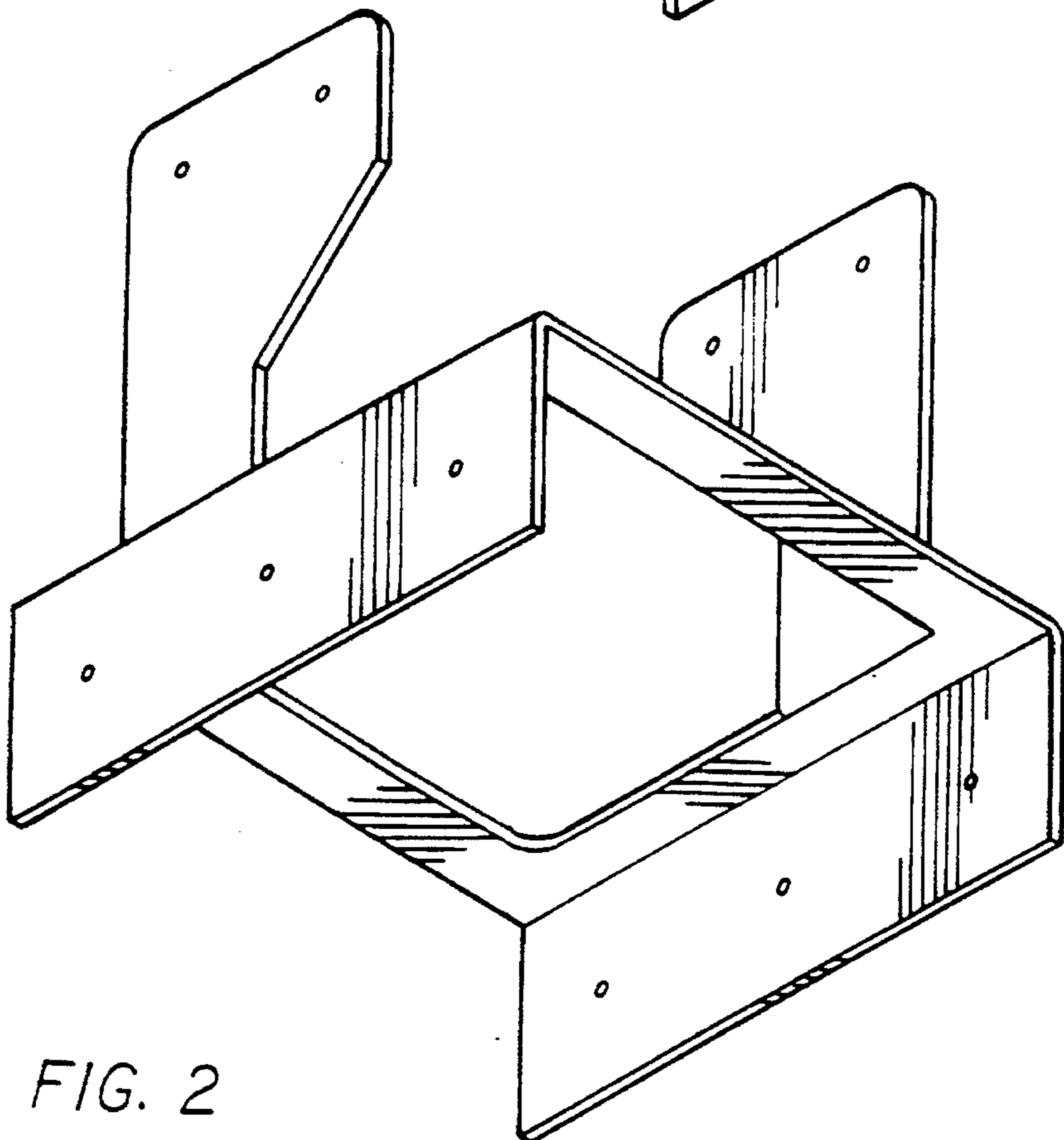
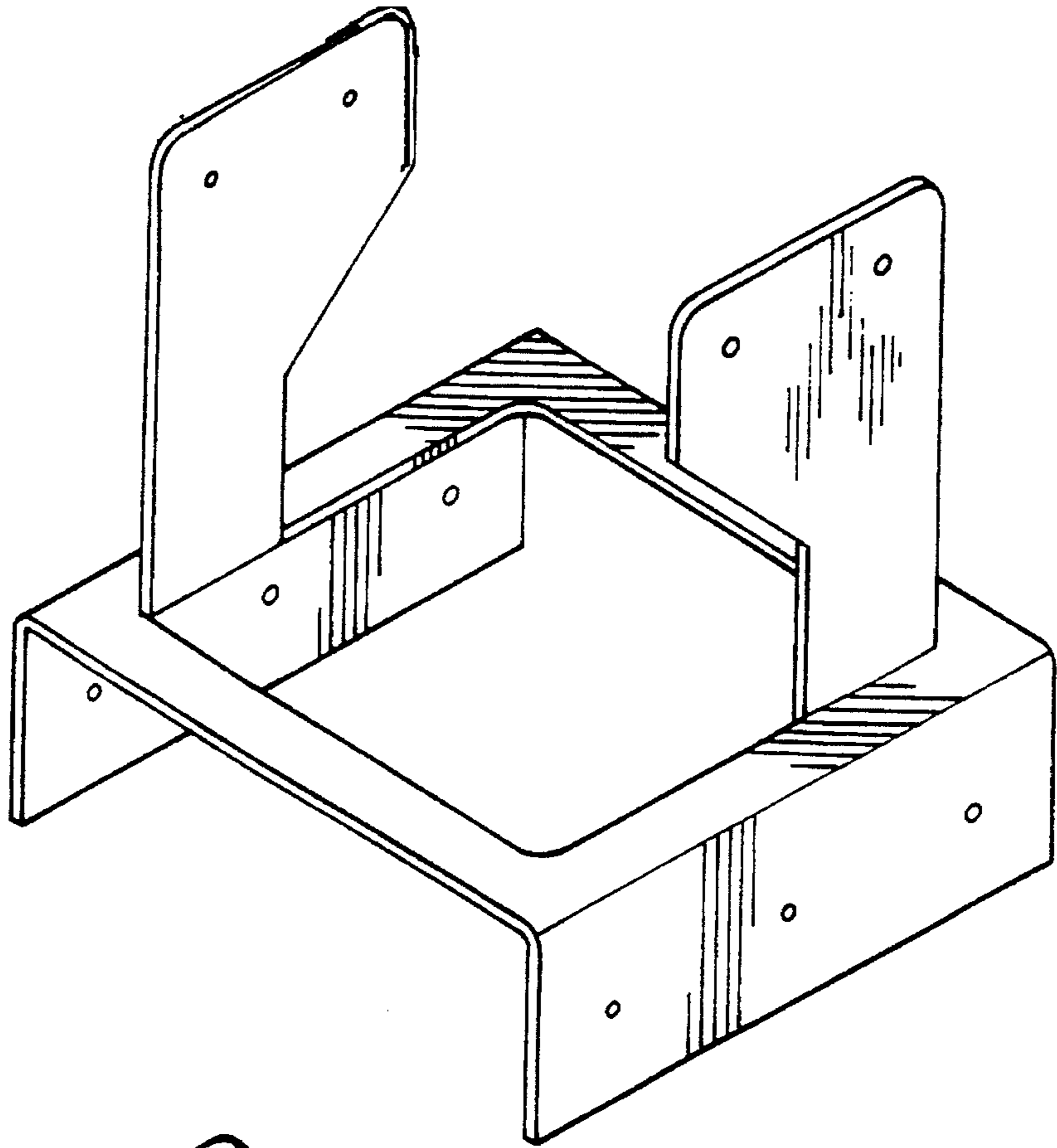


FIG. 2

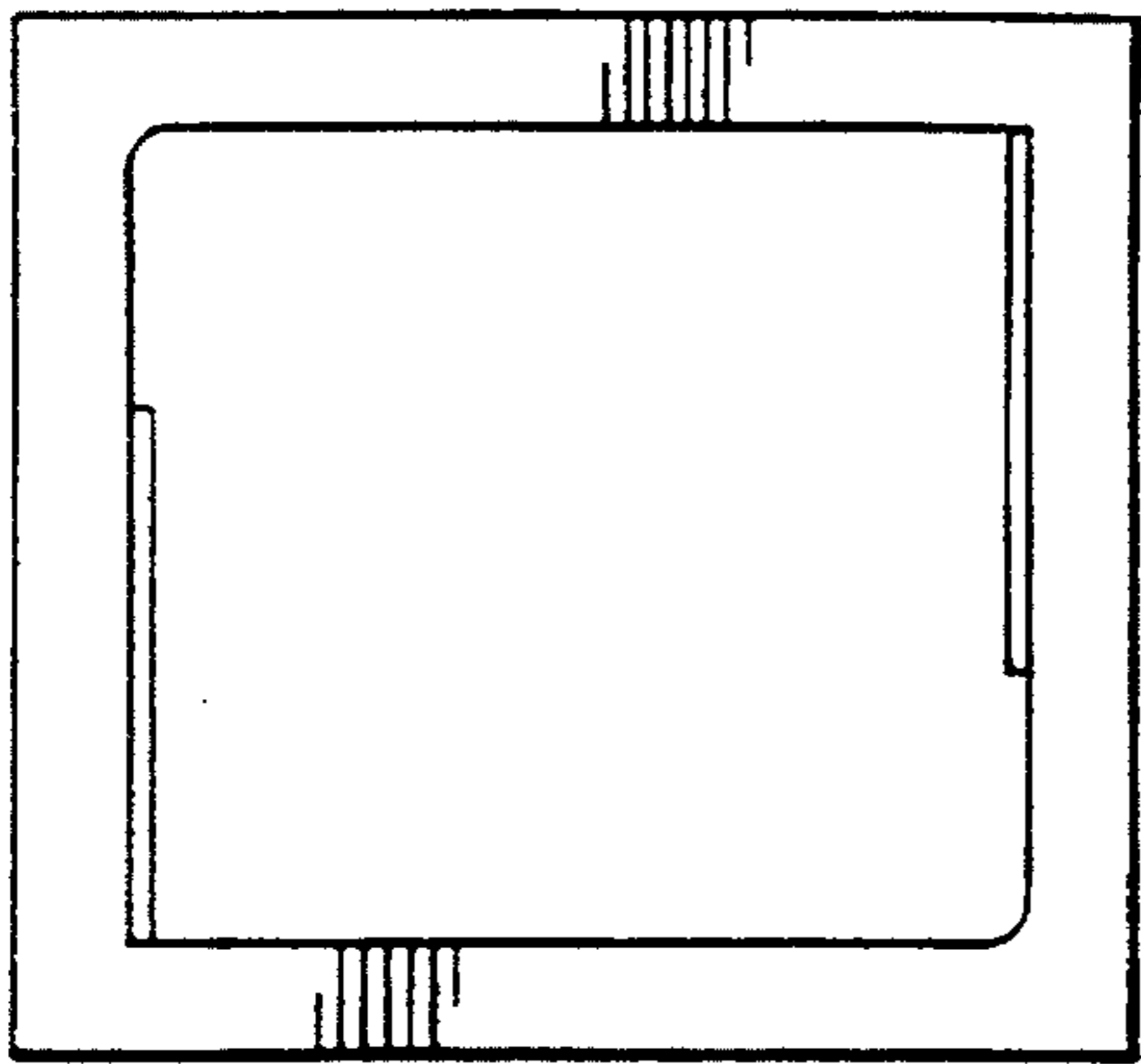


FIG. 3

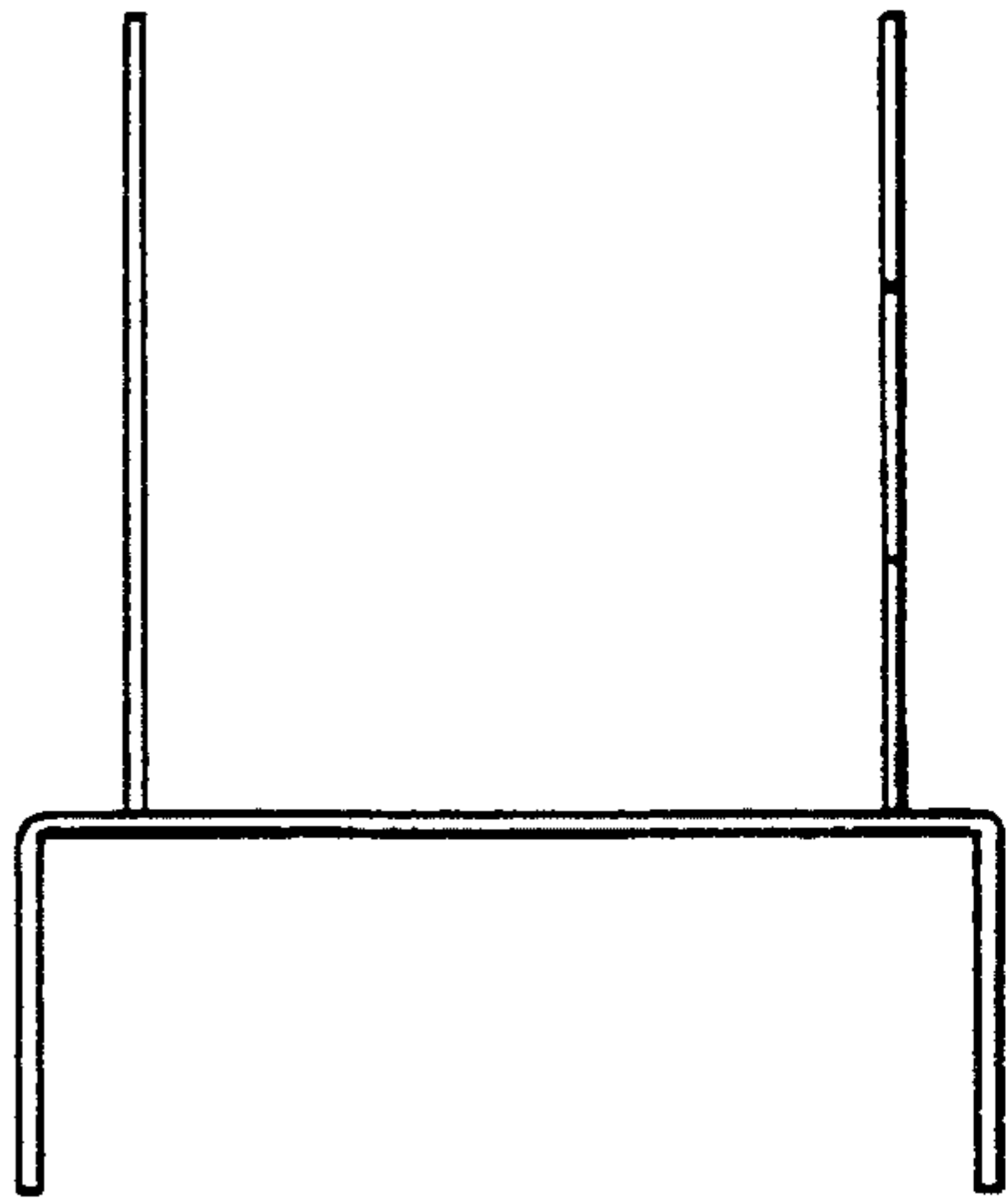


FIG. 4

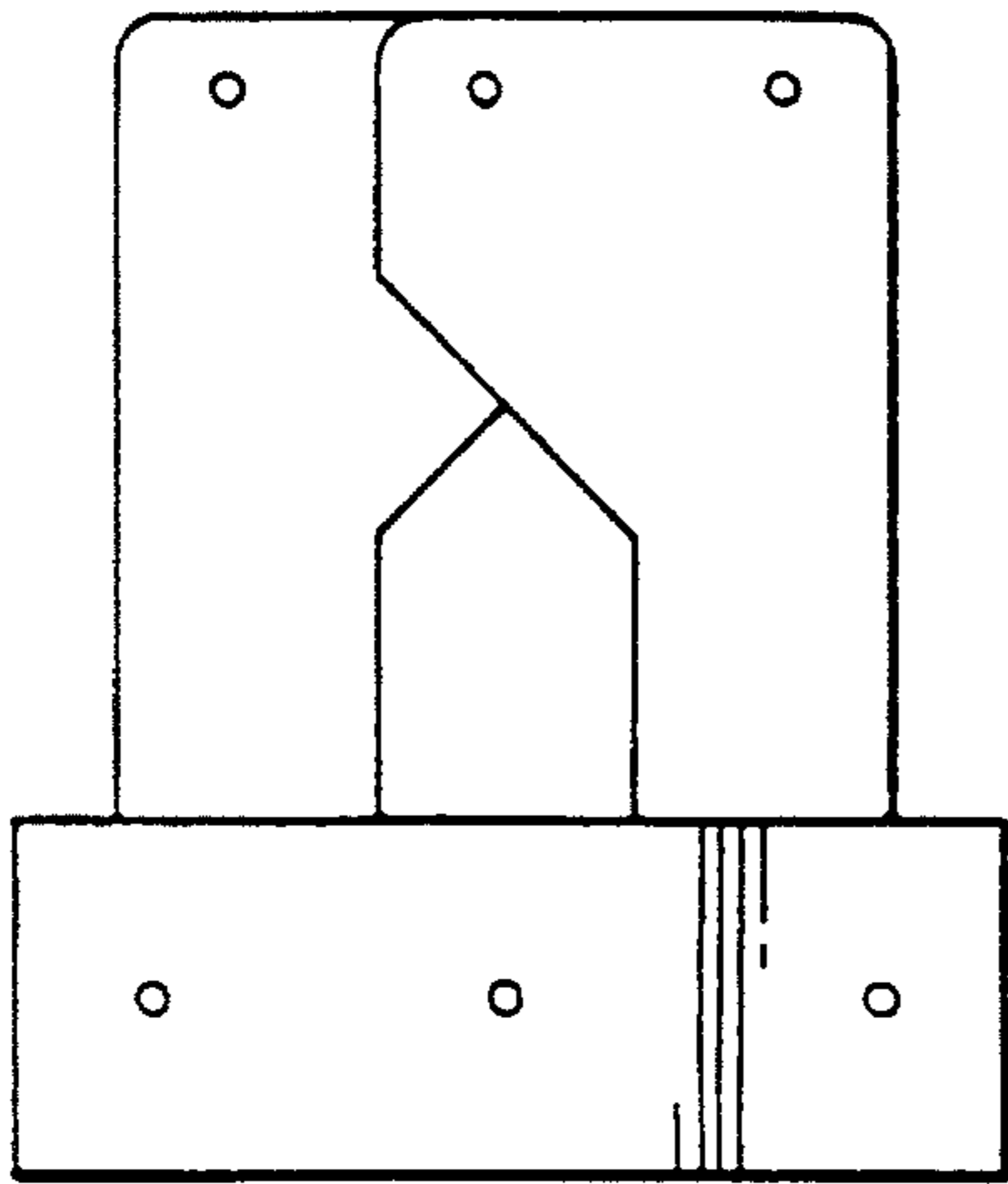


FIG. 5

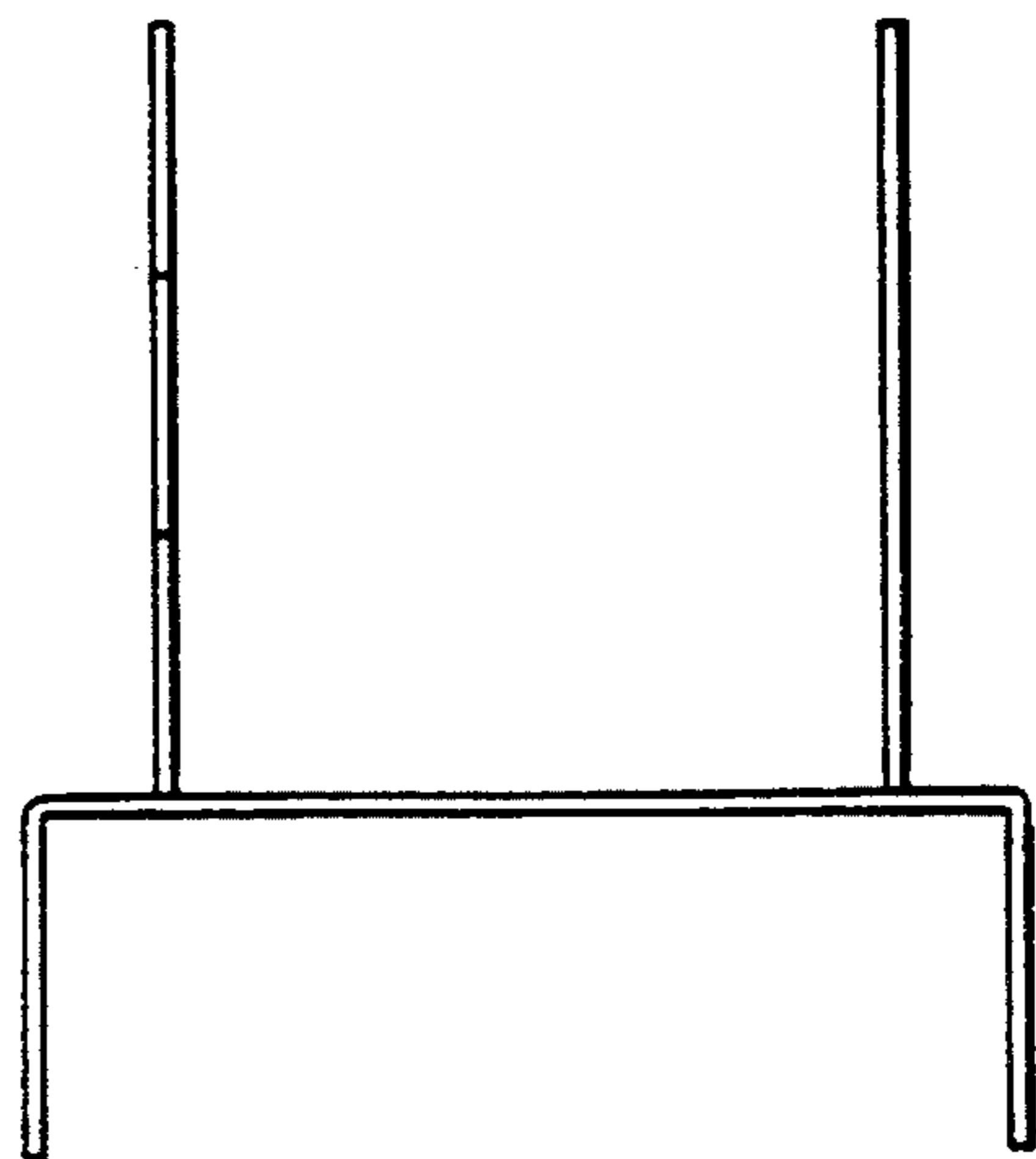


FIG. 6

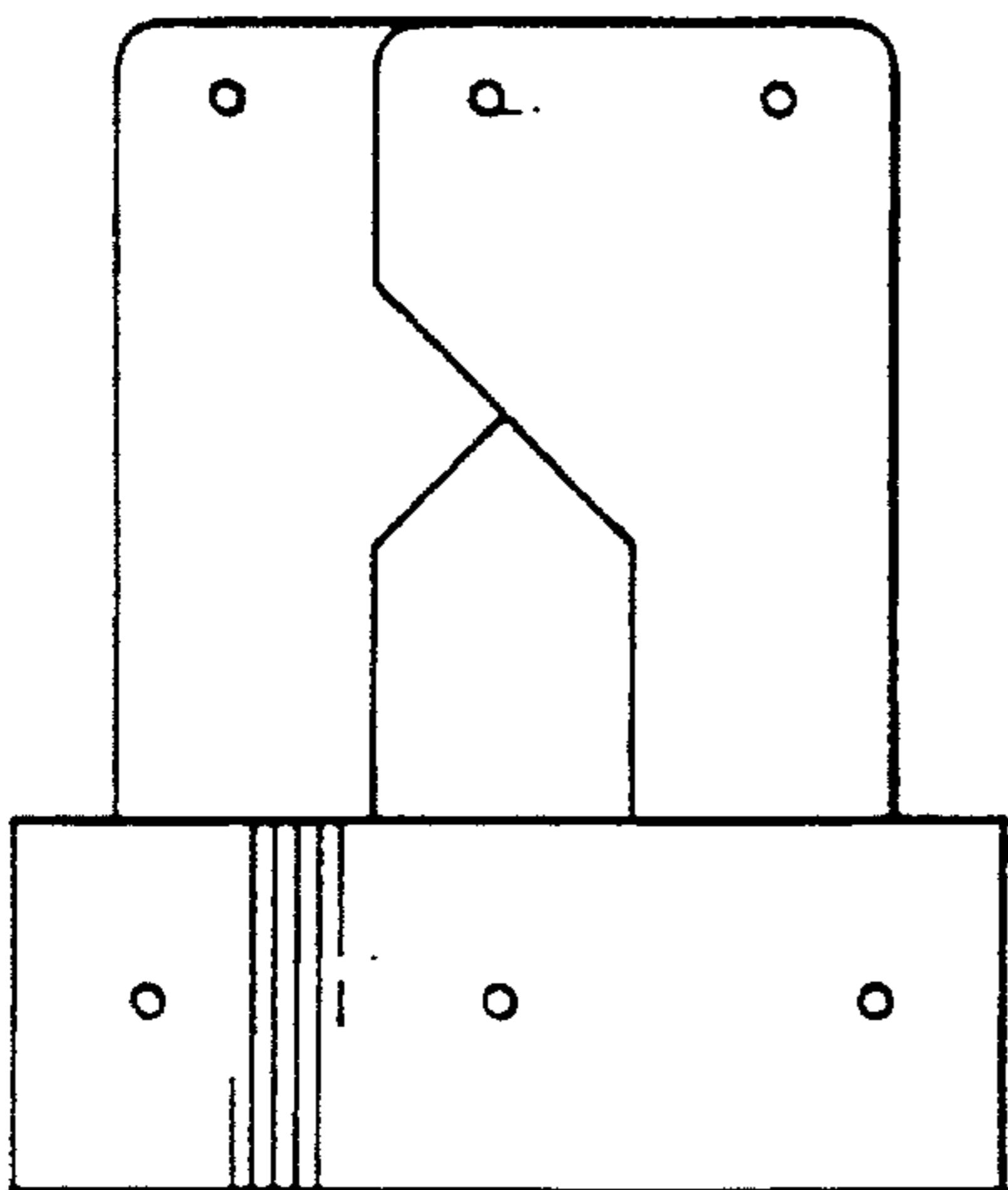


FIG. 7

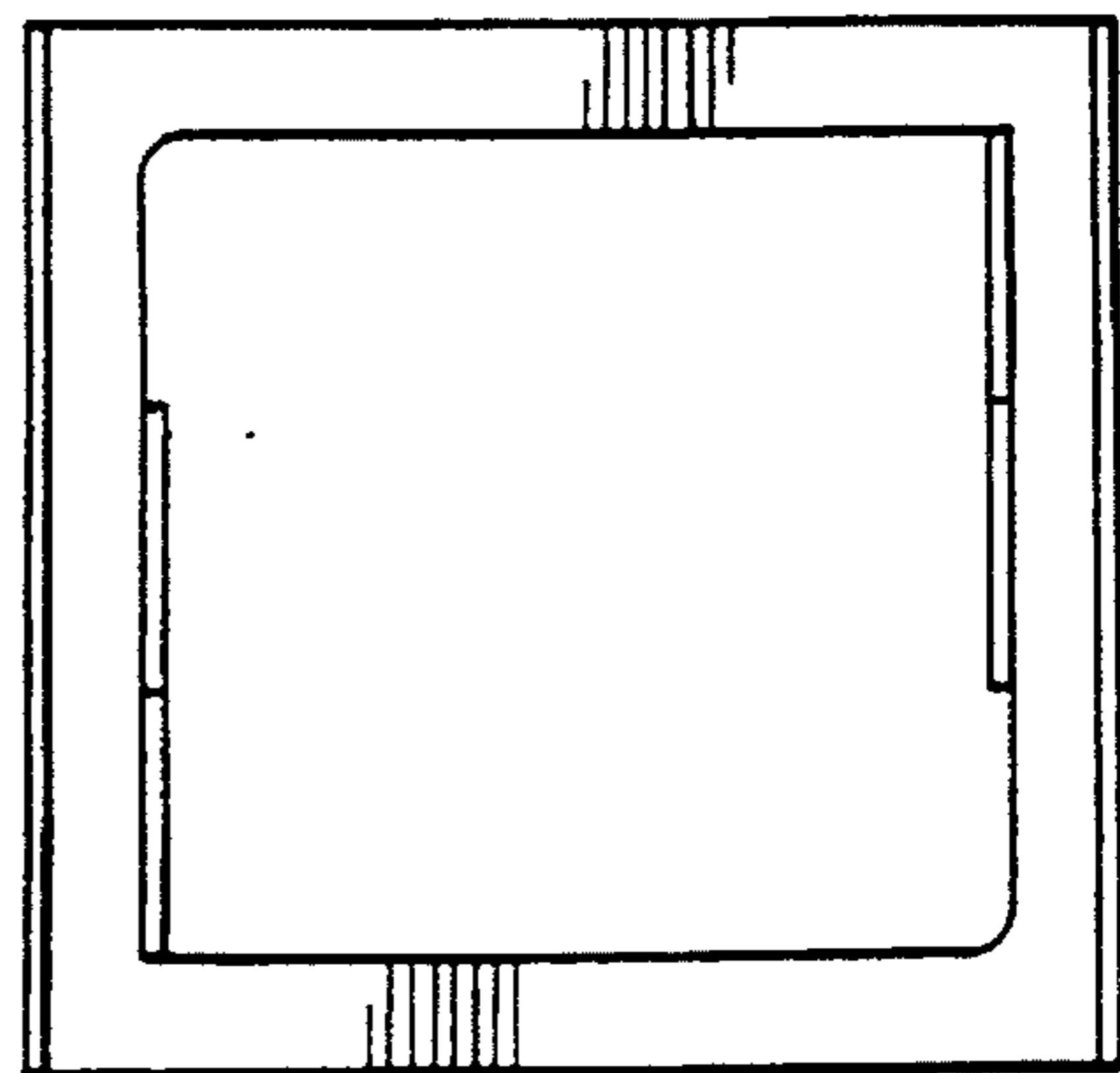


FIG. 8