



US00D364792S

United States Patent [19]

[11] Patent Number: **Des. 364,792**

Yoder et al.

[45] Date of Patent: ****Dec. 5, 1995**

[54] **ANGULAR CAM CLAMP**

5,310,238 5/1994 Wheatley .

[75] Inventors: **Ronald L. Yoder**, Topeka; **John L. Mault**, Wolcottville, both of Ind.

Primary Examiner—Alan P. Douglas
Assistant Examiner—Robert M. Spear
Attorney, Agent, or Firm—Woodard, Emhardt, Naughton, Moriarty & McNett

[73] Assignee: **Automated Products International**, Wawaka, Ind.

[57] CLAIM

[**] Term: **14 Years**

The ornamental design for a angular cam clamp, as shown and described.

[21] Appl. No.: **34,604**

DESCRIPTION

[22] Filed: **Feb. 7, 1995**

[52] U.S. Cl. **D8/72; D8/394; D12/223**

[58] Field of Search **D8/72, 73, 394; D12/223; 24/514, 525, 569; 248/231.7; 269/249; 296/10, 100, 102; 403/290, 373**

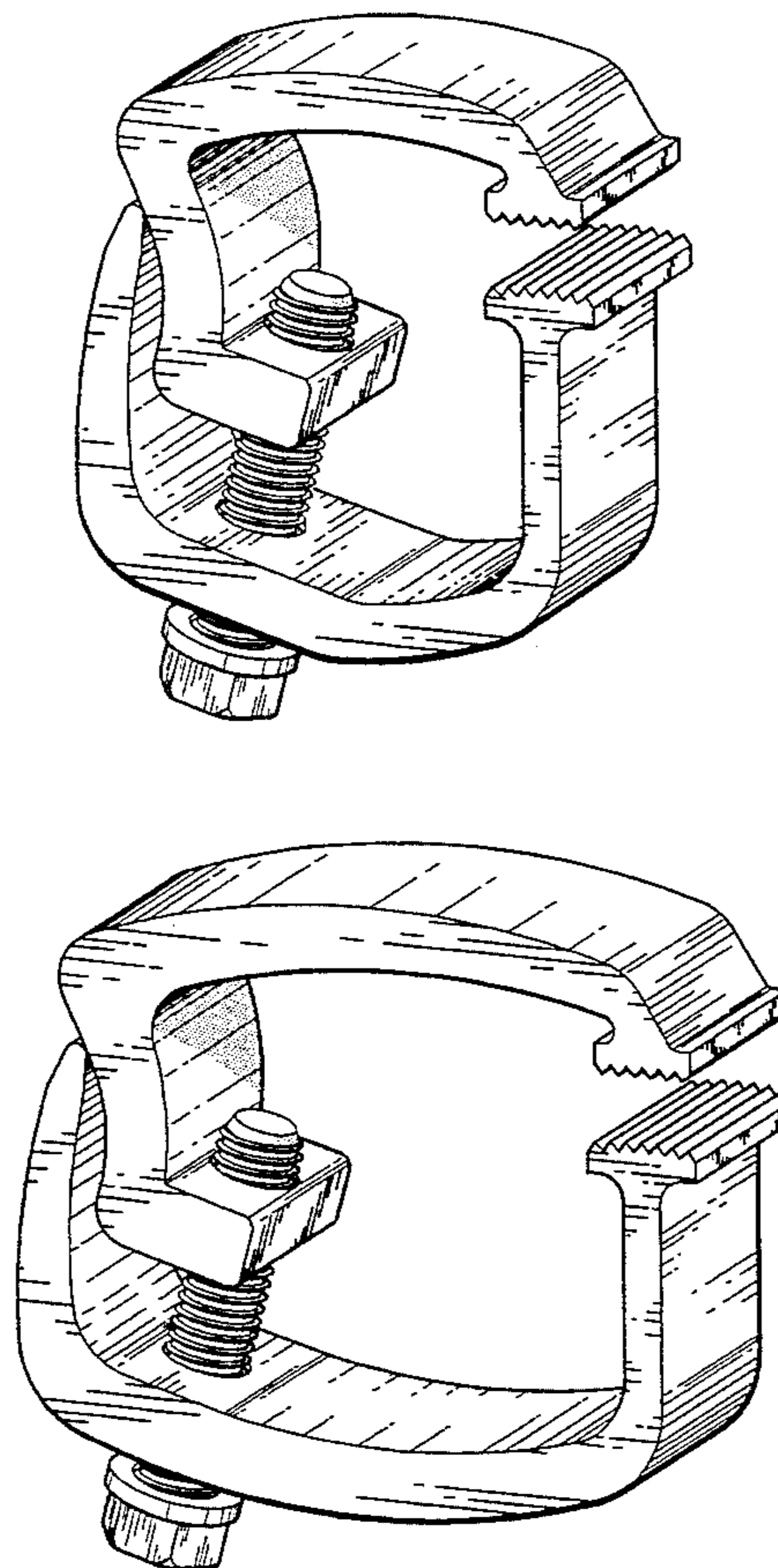
FIG. 1 is a plan view of the preferred embodiment of the clamp incorporating our new design with the opposite side being a mirror image thereof;
FIG. 2 is a right view of FIG. 1;
FIG. 3 is a top view of FIG. 1;
FIG. 4 is a bottom view of FIG. 1;
FIG. 5 is a left view of FIG. 1;
FIG. 6 is a perspective view of FIG. 1;
FIG. 7 is a plan view of an alternate embodiment of the clamp incorporating our new design with the opposite side being a mirror image thereof;
FIG. 8 is a right view of FIG. 7;
FIG. 9 is a top view of FIG. 7;
FIG. 10 is a left view of FIG. 7;
FIG. 11 is a bottom view of FIG. 7; and,
FIG. 12 is a perspective view of FIG. 7.

[56] References Cited

U.S. PATENT DOCUMENTS

D. 237,775	11/1975	Hitomi .	
D. 328,845	8/1992	Yoder .	
D. 329,007	9/1992	Yoder .	
D. 339,782	9/1993	Yoder .	
D. 340,018	10/1993	Yoder .	
D. 358,798	5/1995	Miller	D12/223
4,666,116	5/1987	Lloyd	D8/394 X
4,850,770	7/1989	Millar, Jr. .	
5,131,780	7/1992	Love .	
5,228,739	7/1993	Love .	

1 Claim, 4 Drawing Sheets



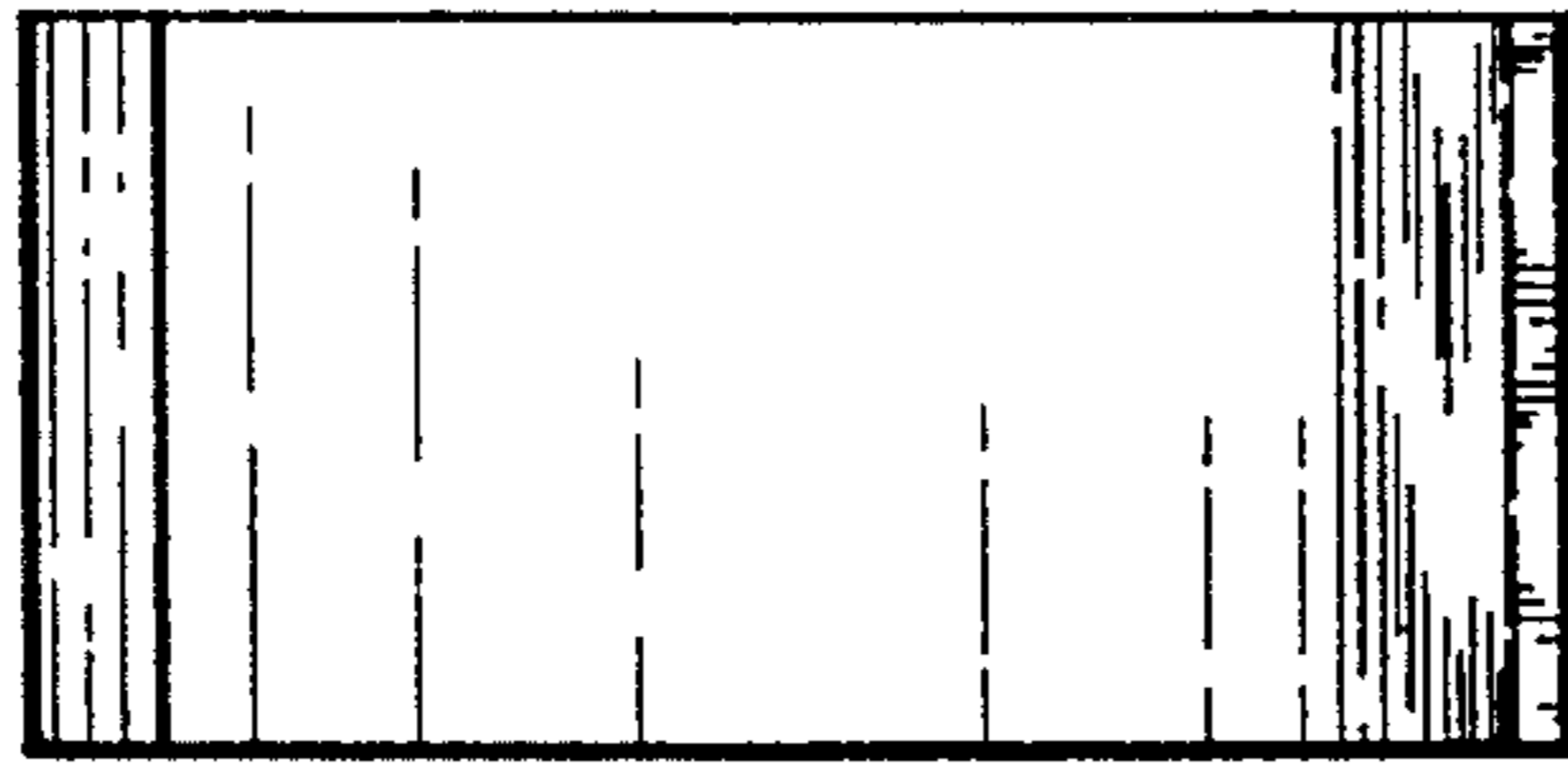


Fig. 3

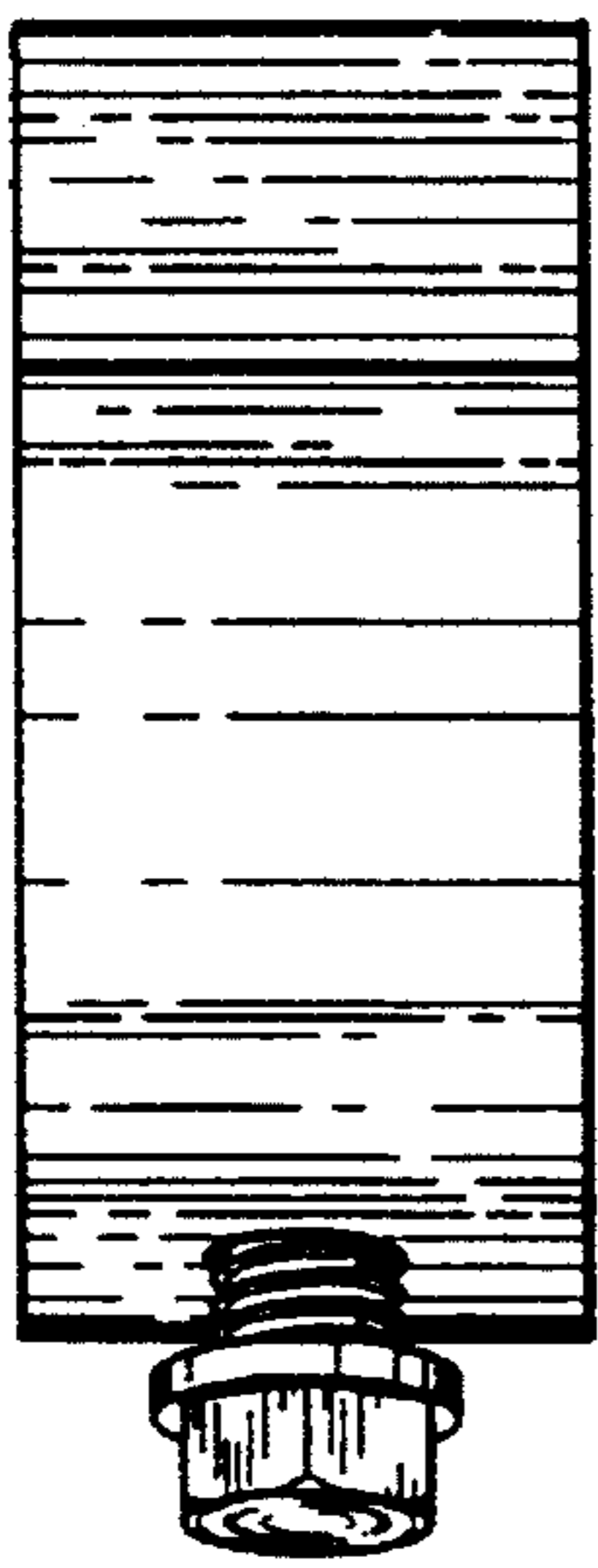


Fig. 5

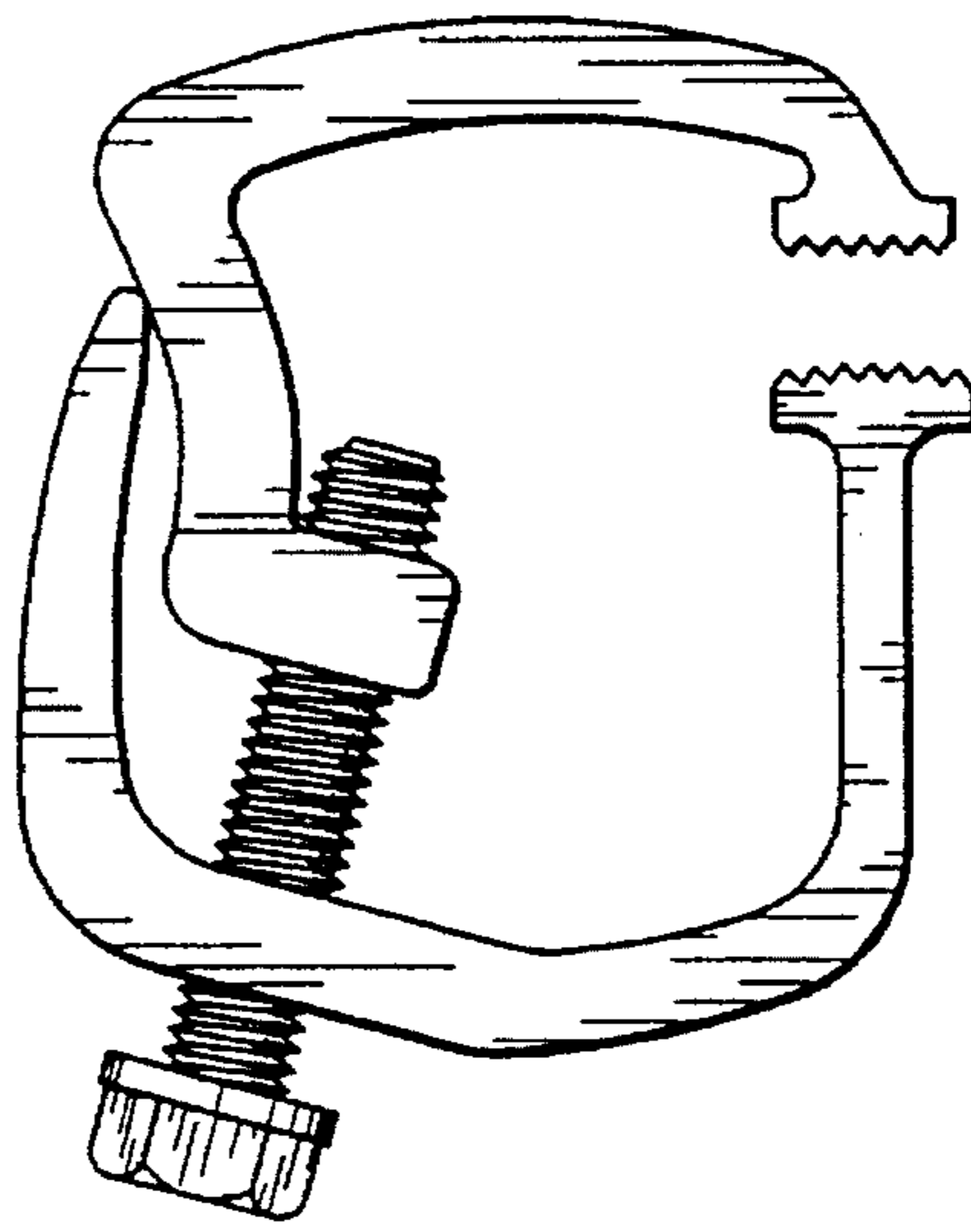


Fig. 1

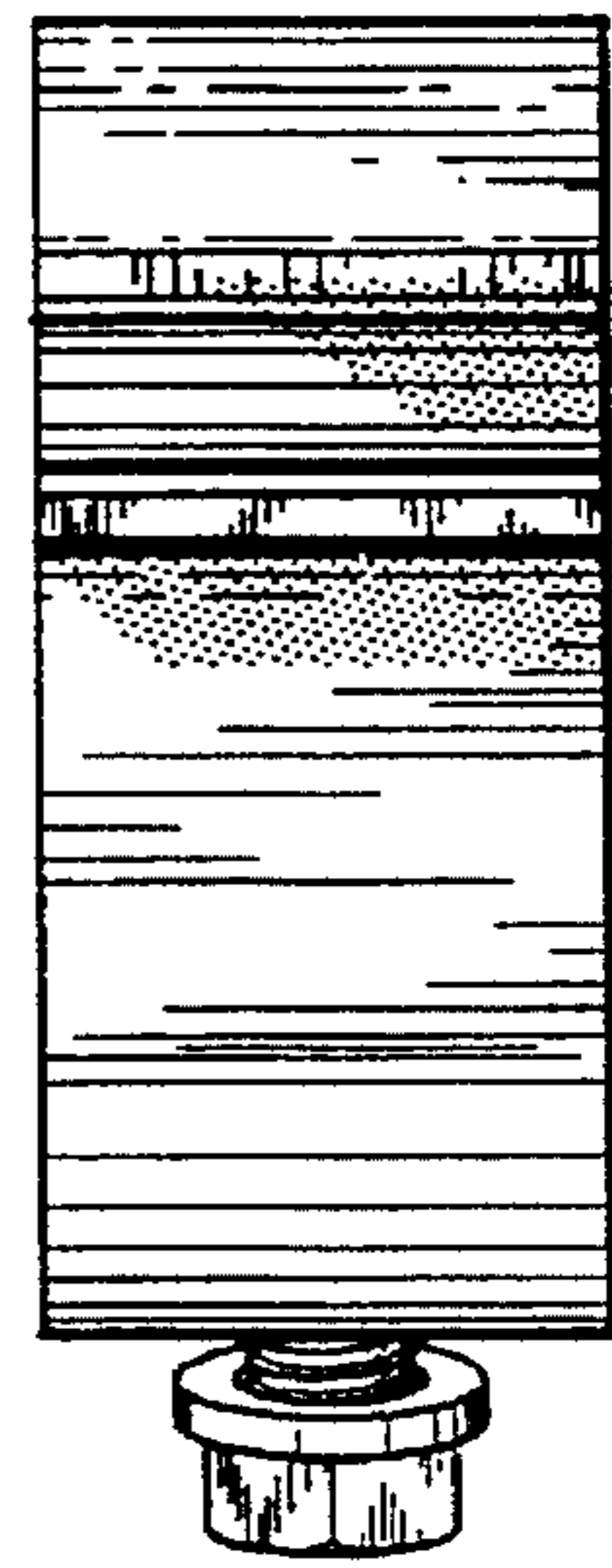


Fig. 2

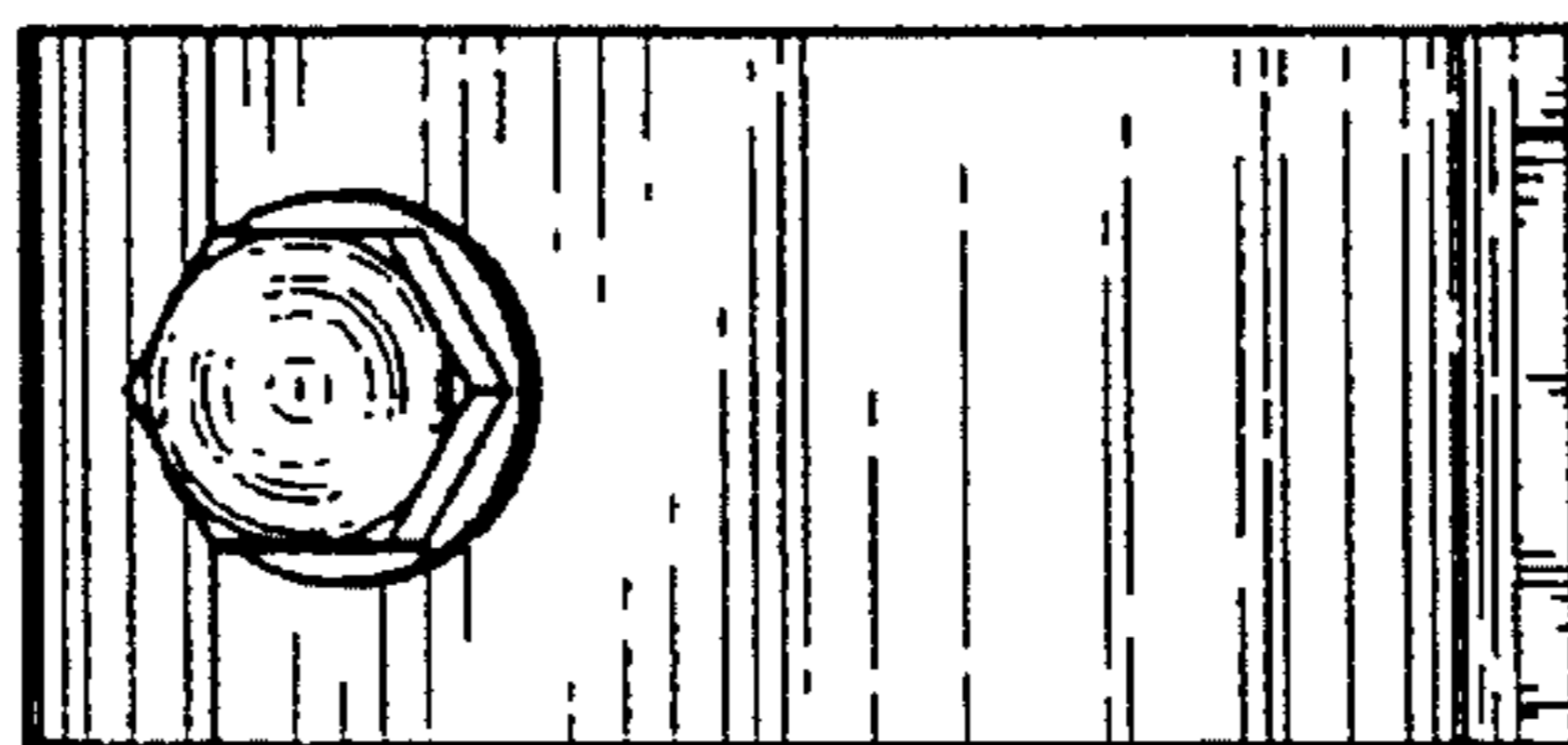


Fig. 4

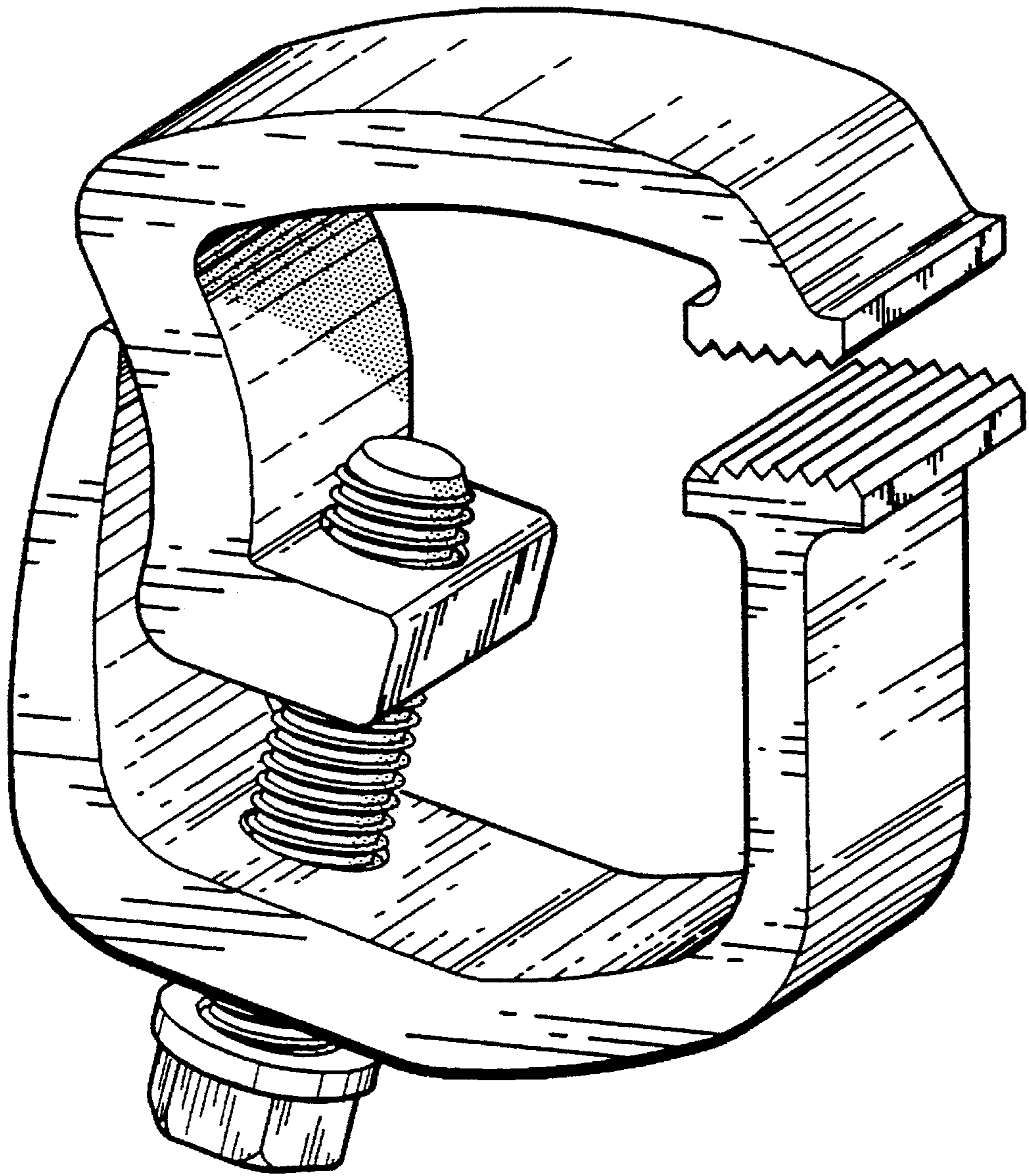


Fig. 6

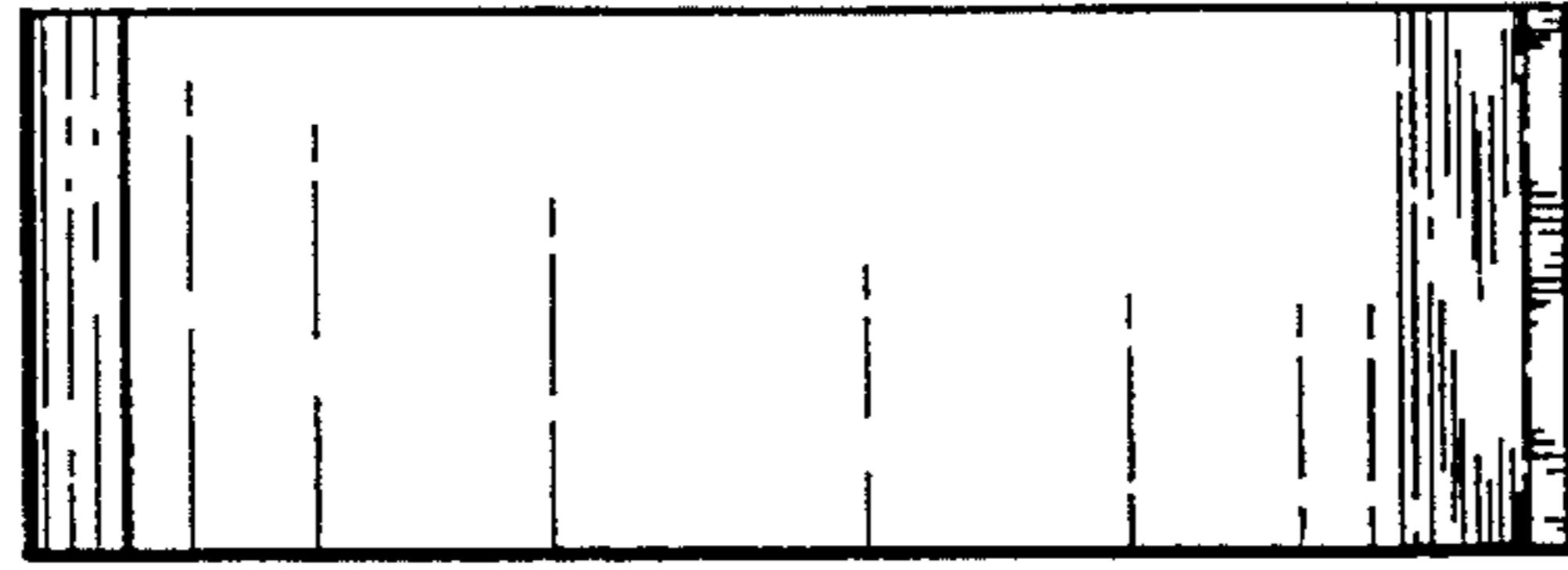


Fig. 9

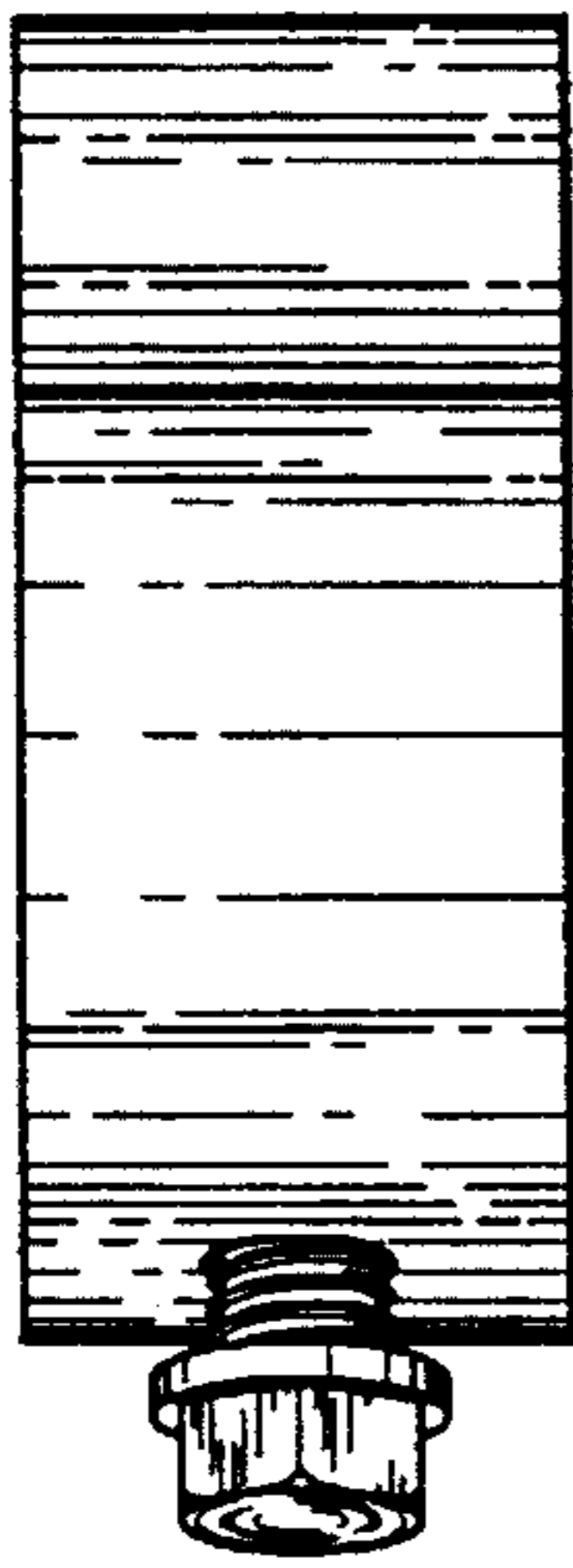


Fig. 10

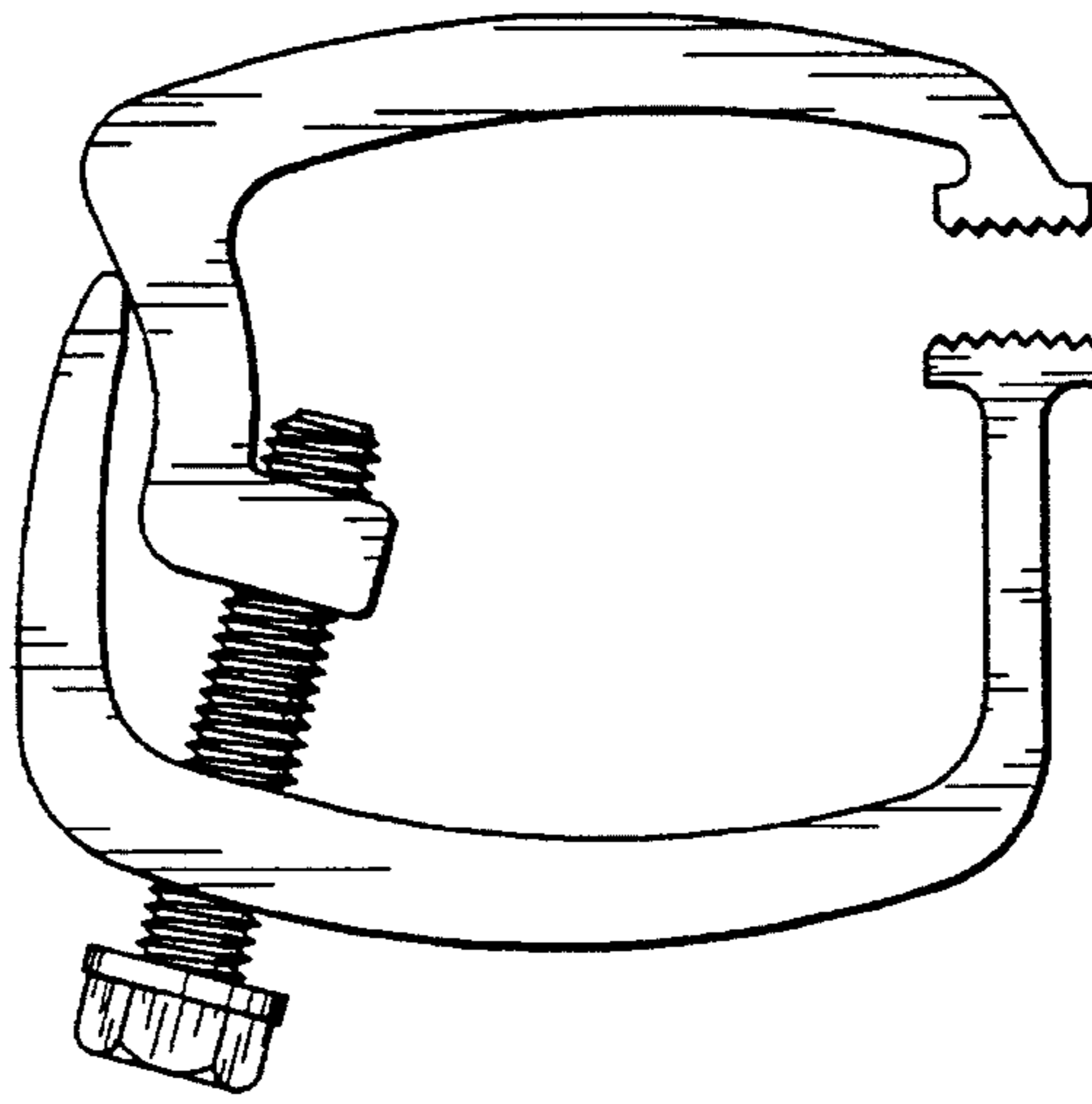


Fig. 7

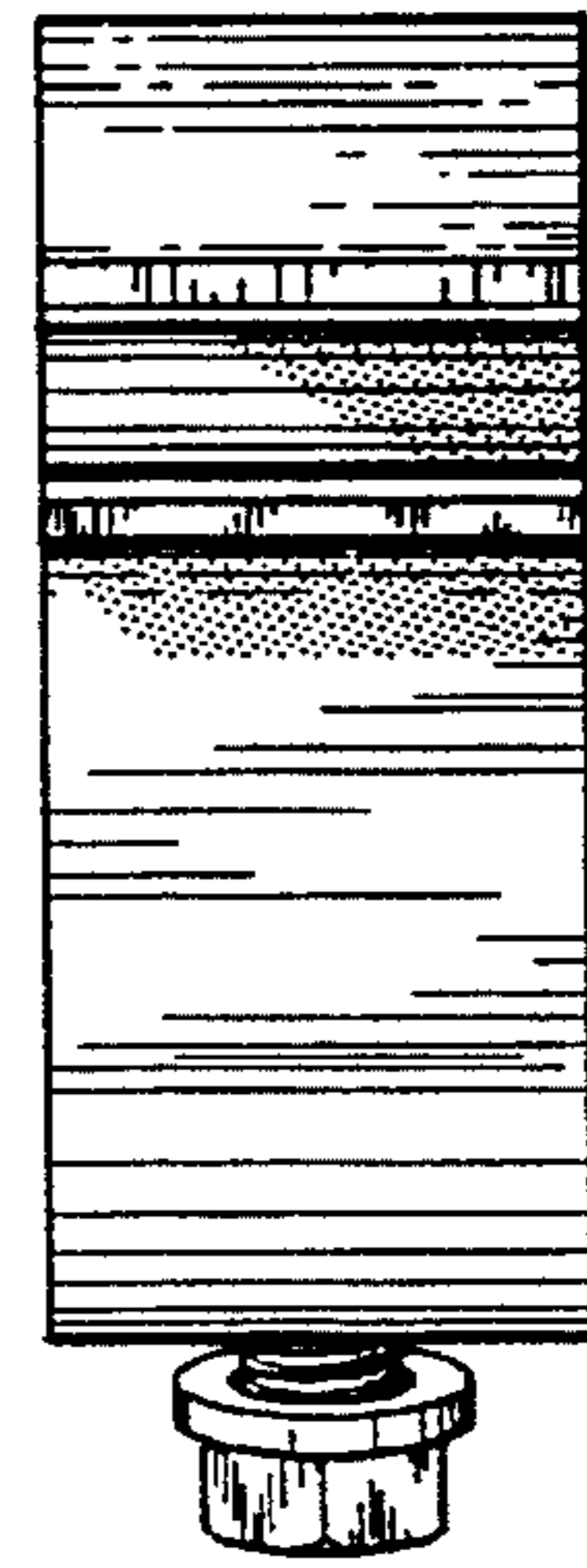


Fig. 8

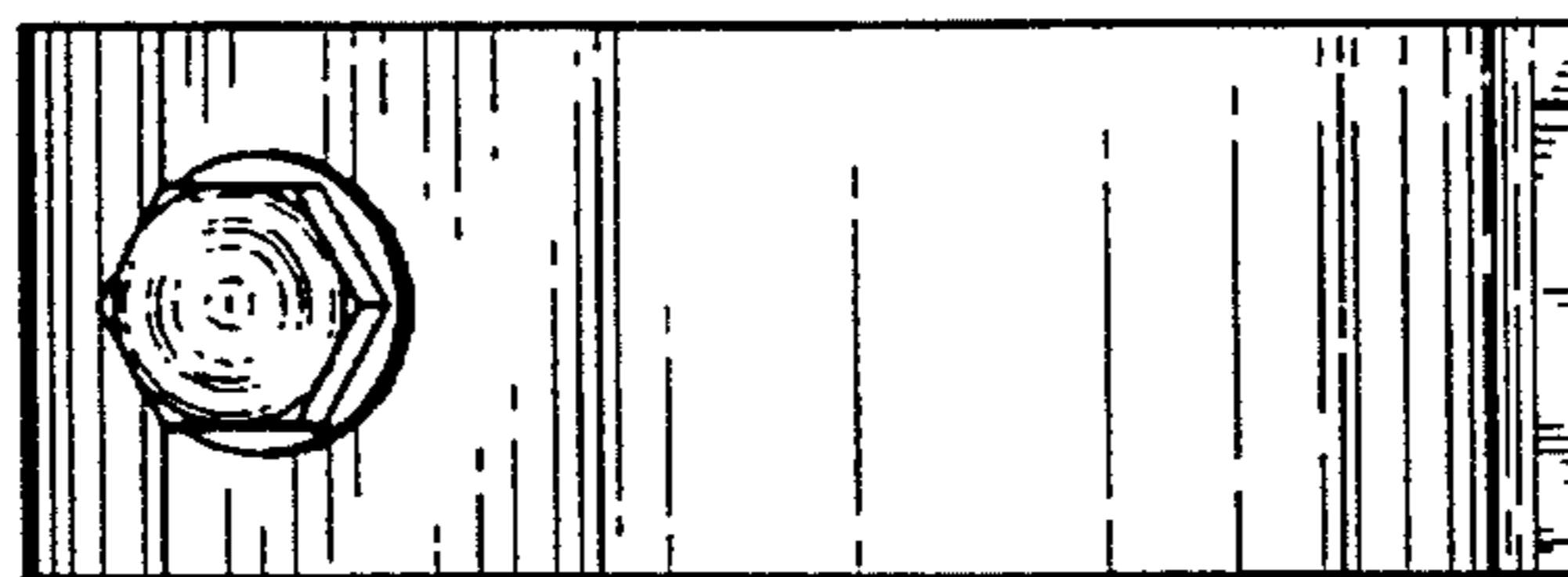


Fig. 11

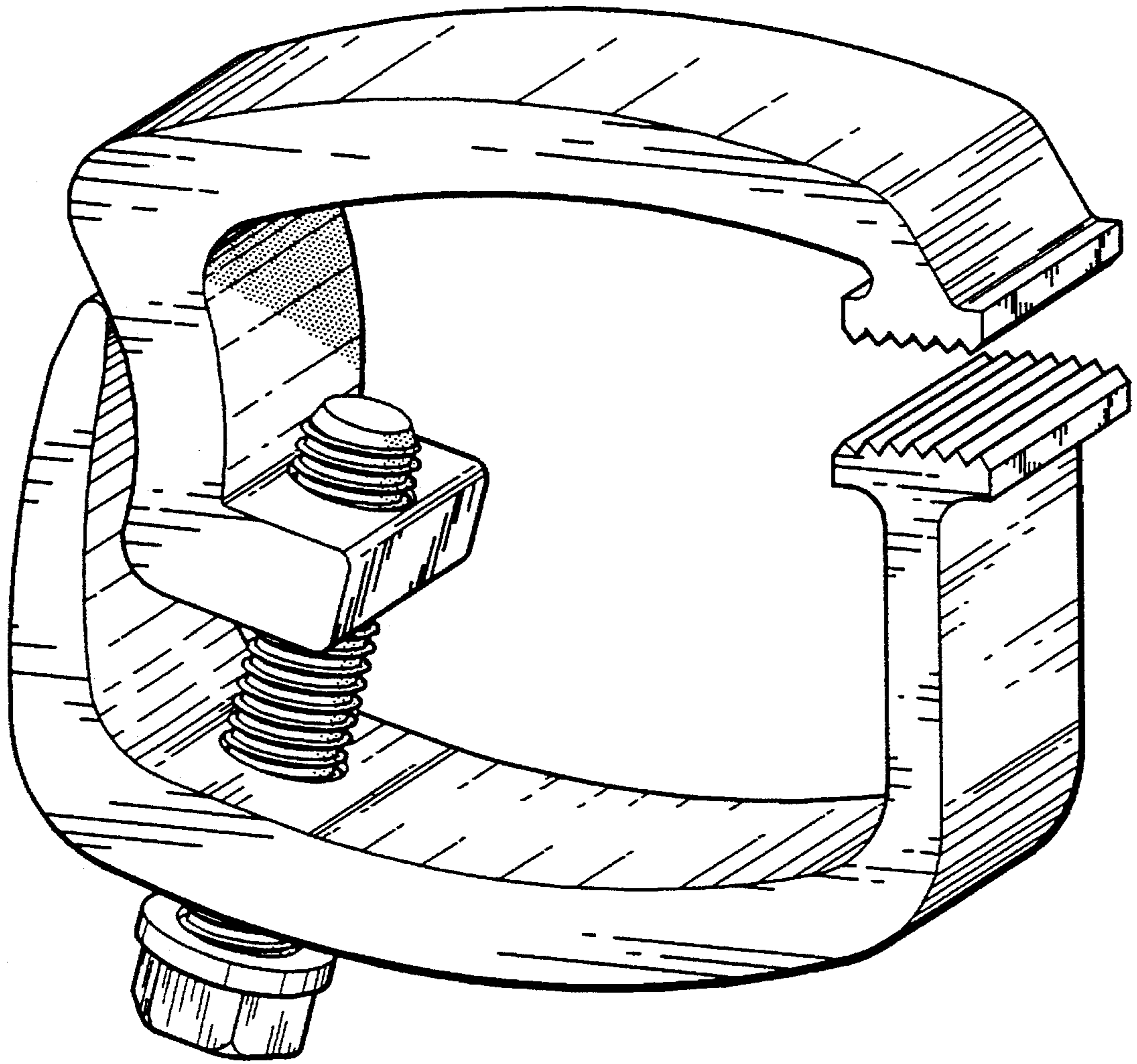


Fig. 12