



US00D364791S

United States Patent [19]

[11] Patent Number: **Des. 364,791**

Dorma

[45] Date of Patent: ****Dec. 5, 1995**

[54] **CIRCULAR SAW BLADE FOR CUTTING TOOL**

[76] Inventor: **Edward W. Dorma**, 902 Windsor Dr., Sarasota, Fla. 34234

[**] Term: **14 Years**

[21] Appl. No.: **13,848**

[22] Filed: **Oct. 4, 1993**

[52] U.S. Cl. **D8/70**

[58] Field of Search **D8/70; D15/17, D15/29; 30/346, 347, 388; 83/835, 851; 144/218, 223; 125/15, 18**

[56] **References Cited**

U.S. PATENT DOCUMENTS

58,659	10/1866	McCrea .	
113,670	4/1871	Howell .	
127,735	6/1872	Broadbooks .	
205,103	6/1878	Knowles .	
D. 321,634	11/1991	Inoue	D8/70
D. 347,562	6/1994	Kim	D8/70
785,225	3/1905	Manly .	
1,640,168	8/1927	Williams .	
1,689,648	10/1928	Voleske .	
1,915,404	6/1933	Clifton .	
2,975,518	3/1961	Nelson .	
4,434,555	3/1984	Stoll .	
4,739,745	4/1988	Browning	125/15

Primary Examiner—Alan P. Douglas
Assistant Examiner—Jeffrey H. Musgrove
Attorney, Agent, or Firm—L. Paul Burd; Richard O. Bartz; Robert W. Gutenkauf

[57] **CLAIM**

The ornamental design for a circular saw blade for cutting tool, as shown and described.

DESCRIPTION

FIG. 1 is a side elevational view of the circular saw blade for cutting tool showing my new design; the opposite side view is identical thereto;
 FIG. 2 is a front elevational view thereof, the rear elevational view is a mirror image thereof;
 FIG. 3 is a sectional view taken along the line 3—3 of FIG. 2;
 FIG. 4 is a top plan view thereof;
 FIG. 5 is a bottom plan view thereof;
 FIG. 6 is a side elevational view of a first modification of the circular saw blade for the cutting tool of my new design, the opposite side is identical thereto;
 FIG. 7 is a front elevational view of FIG. 6, the rear elevational view is a mirror image thereof;
 FIG. 8 is a sectional view taken along the line 8—8 of FIG. 7;
 FIG. 9 is a top plan view of FIG. 7;
 FIG. 10 is a bottom plan view of FIG. 7;
 FIG. 11 is a side elevational view of a second modification of the circular saw blade for the cutting tool of my new design, the opposite side view is identical thereof;
 FIG. 12 is a front side elevational view of FIG. 11;
 FIG. 13 is a sectional view taken along the line 13—13 of FIG. 12;
 FIG. 14 is a top plan view of FIG. 12;
 FIG. 15 is a bottom plan view of FIG. 12; and,
 FIG. 16 is a rear side elevational view of FIG. 12.

1 Claim, 3 Drawing Sheets





FIG. 4

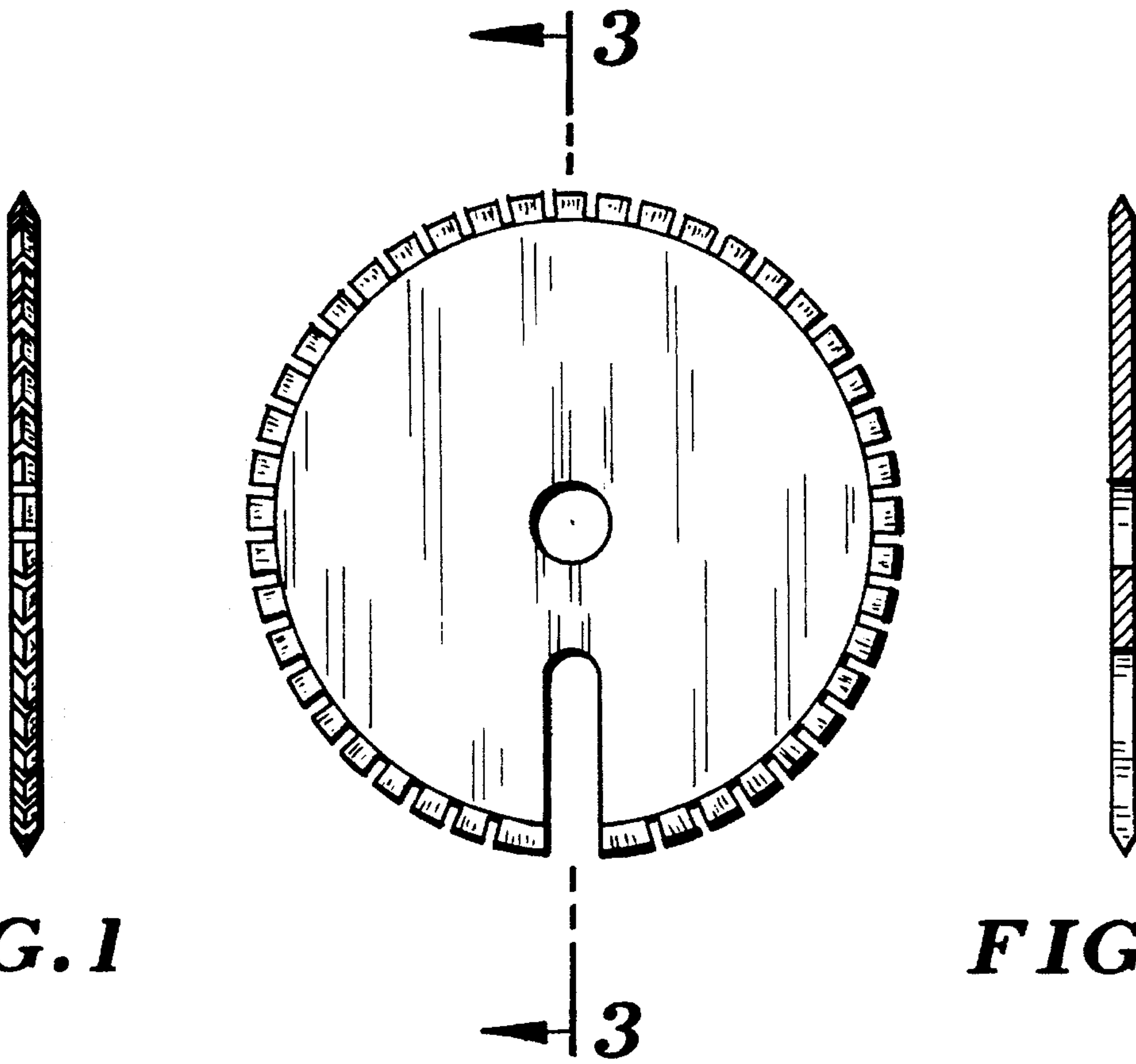


FIG. 1

FIG. 3

FIG. 2



FIG. 5



FIG. 9

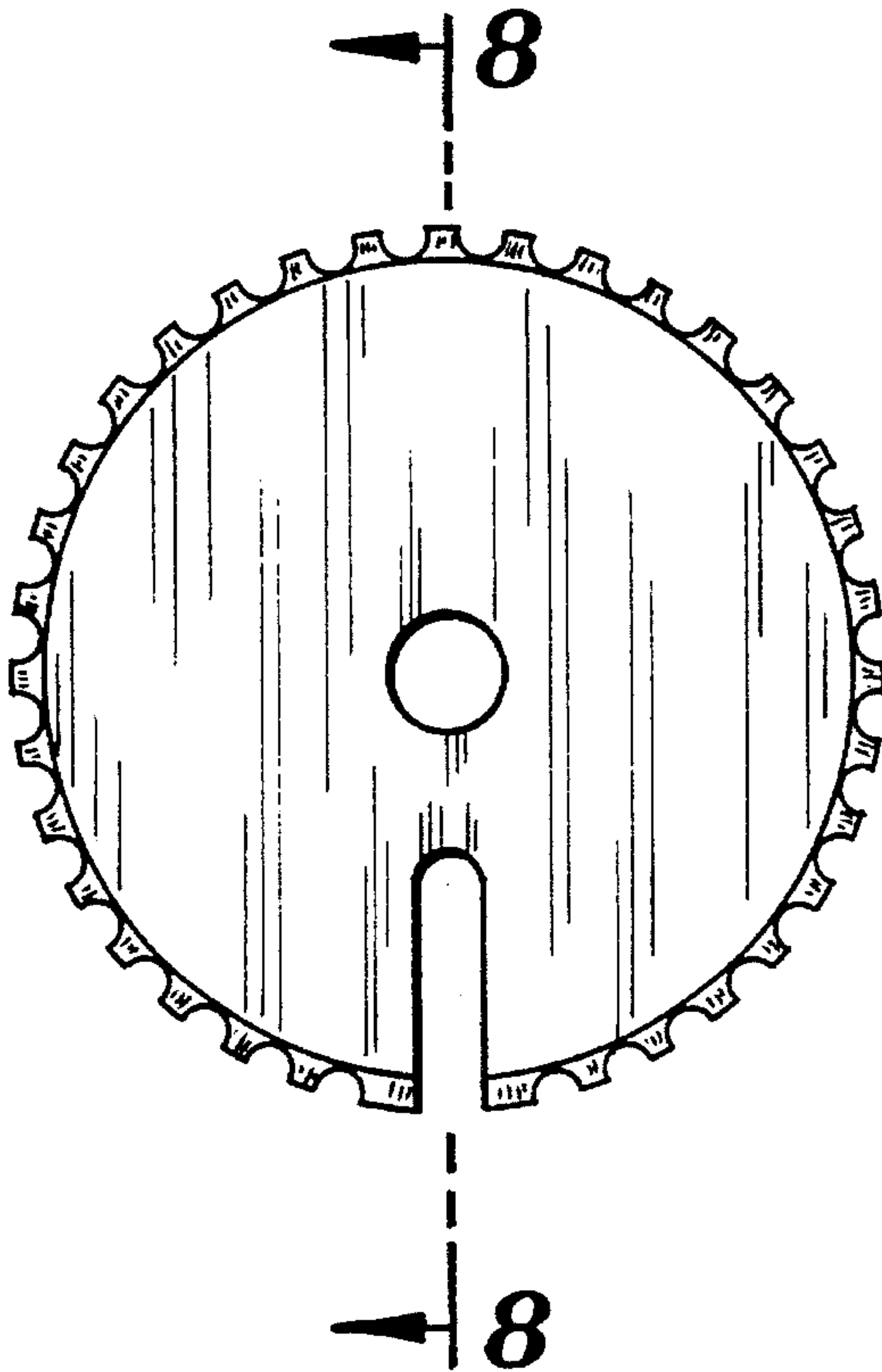


FIG. 6



FIG. 8

FIG. 7



FIG. 10

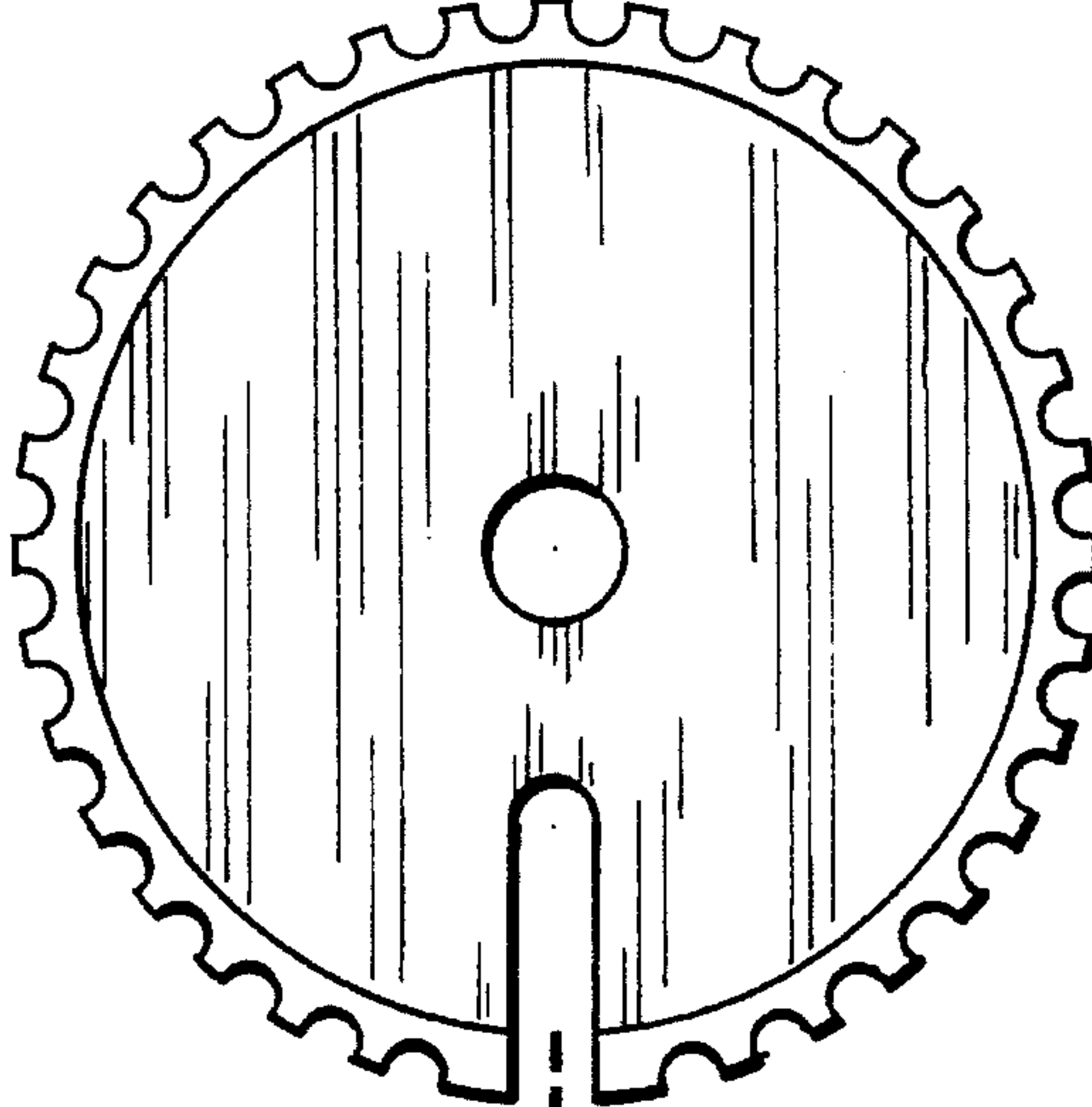


FIG. 14

13



FIG. 11



13

FIG. 12



FIG. 13



FIG. 15

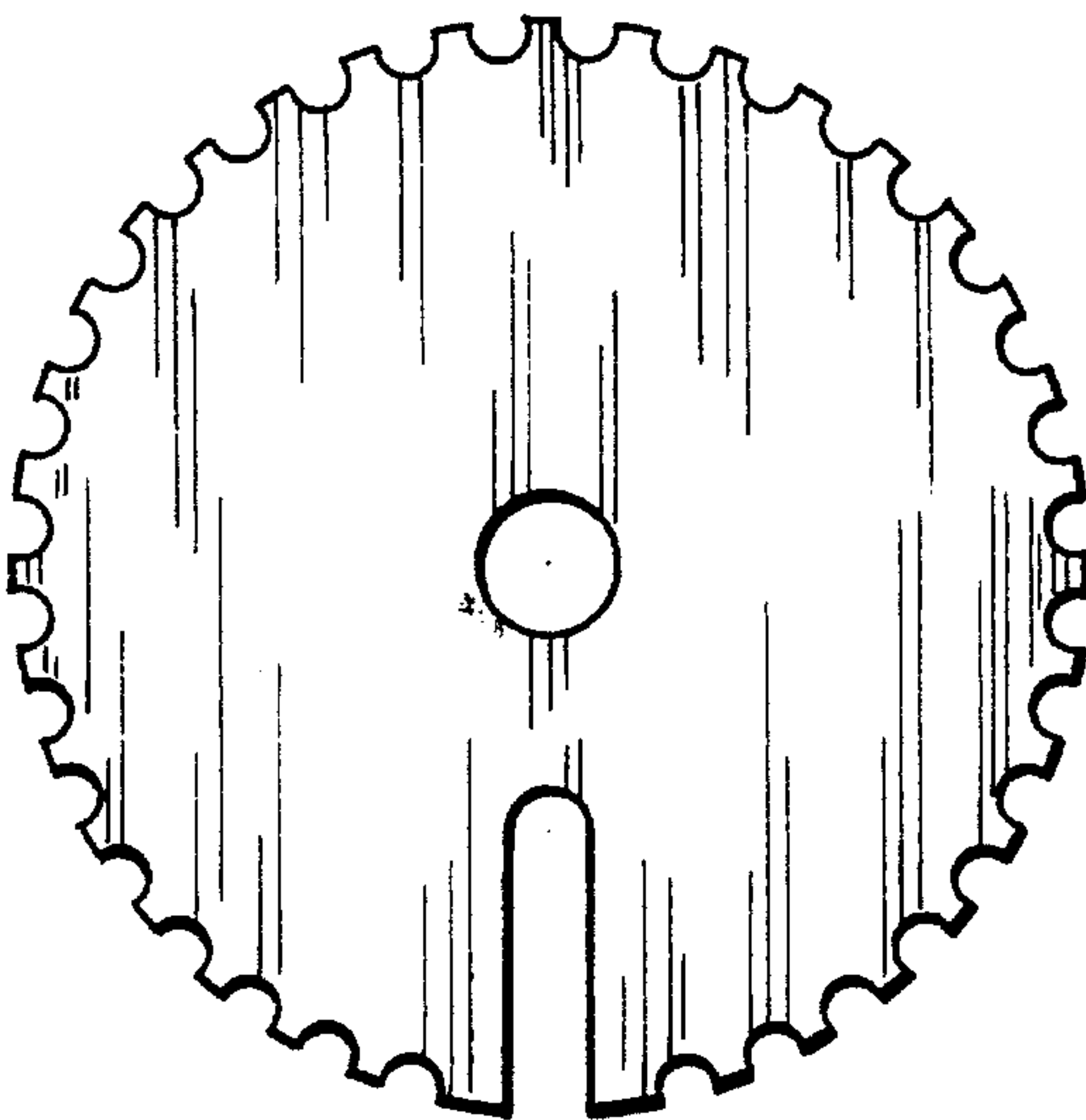


FIG. 16