



US00D364790S

United States Patent [19]

[11] Patent Number: Des. 364,790

Duennes

[45] Date of Patent: **Dec. 5, 1995

[54] HAND HELD ROTARY CUTTING TOOL

3,940,818 3/1976 Anderson 451/177
4,543,857 10/1985 Kleinberg et al. 451/379

[75] Inventor: Mark Duennes, Glenview, Ill.

Primary Examiner—Alan P. Douglas
Assistant Examiner—Robert M. Spear
Attorney, Agent, or Firm—Jones, Day, Reavis & Pogue

[73] Assignee: S-B Power Tool Company, Chicago, Ill.

[**] Term: 14 Years

[57] CLAIM

[21] Appl. No.: 27,120

The ornamental design for a hand held rotary cutting tool, as shown and described.

[22] Filed: Aug. 12, 1994

DESCRIPTION

[52] U.S. Cl. D8/61

[58] Field of Search D4/100, 101, 102;
D8/30, 61, 62; D19/53; D24/146; 81/54,
57.11, 57.14; 173/170; 451/177, 374, 379

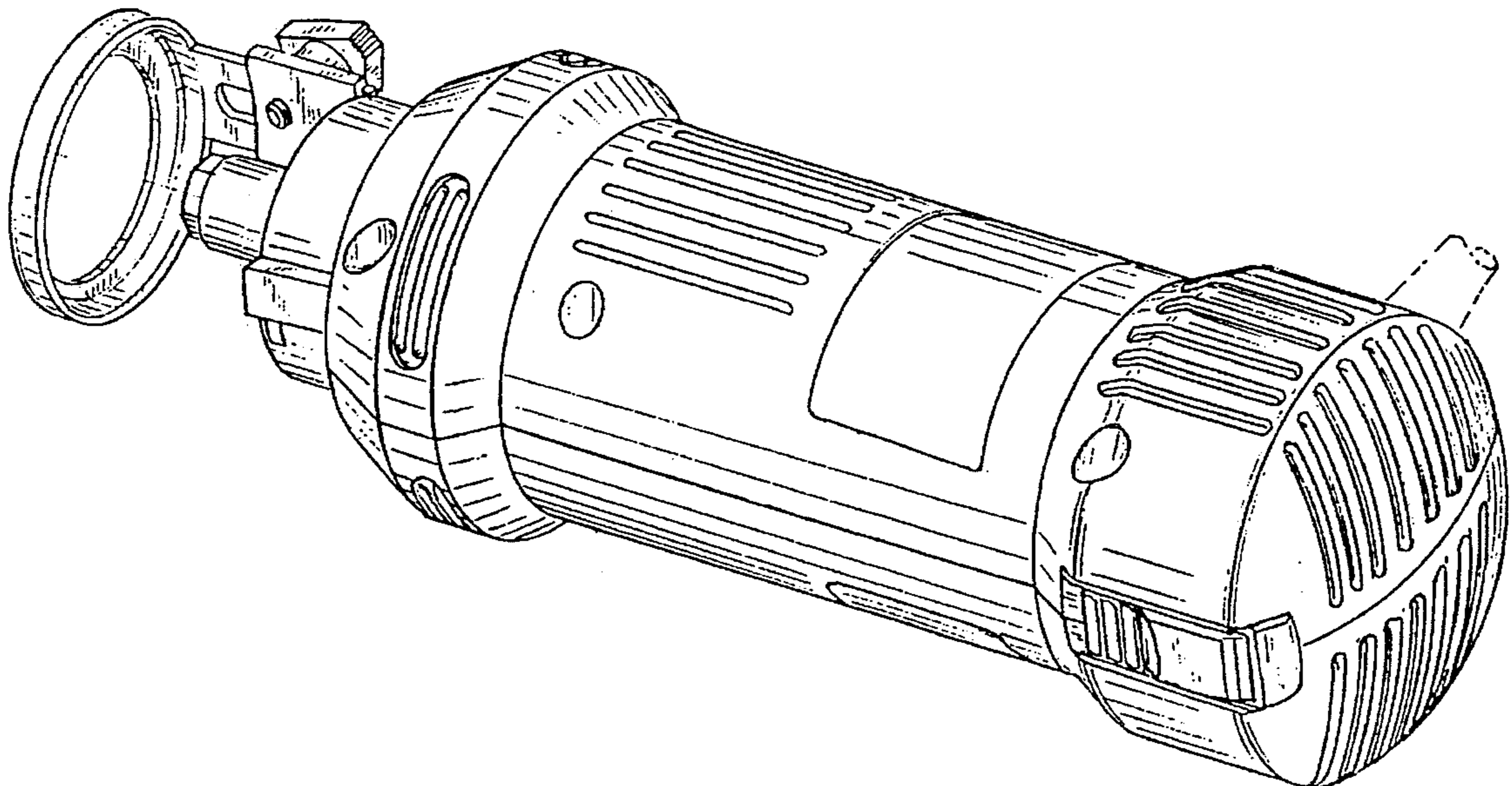
FIG. 1 is a perspective view of the hand held rotary cutting tool;
FIG. 2 is a top view of the hand held rotary cutting tool;
FIG. 3 is a side view of the hand held rotary cutting tool;
FIG. 4 is the other side view of the hand held rotary cutting tool;
FIG. 5 is a bottom view of the hand held rotary cutting tool;
FIG. 6 is a rear view of the hand held rotary cutting tool; and,
FIG. 7 is a front view of the hand held rotary cutting tool.
The broken line showing of a power cord and keeper is for illustrative purposes only and forms no part of the claimed design.

[56] References Cited

U.S. PATENT DOCUMENTS

D. 310,160	8/1990	Patel	D8/61
D. 316,659	5/1991	Neff	D8/61
D. 320,540	10/1991	Staubitz et al.	D8/61
D. 333,765	3/1993	Tamanaha	D8/61
D. 343,560	1/1994	McCambridge	D8/61
D. 347,372	5/1994	Ghode et al.	D8/61

1 Claim, 3 Drawing Sheets



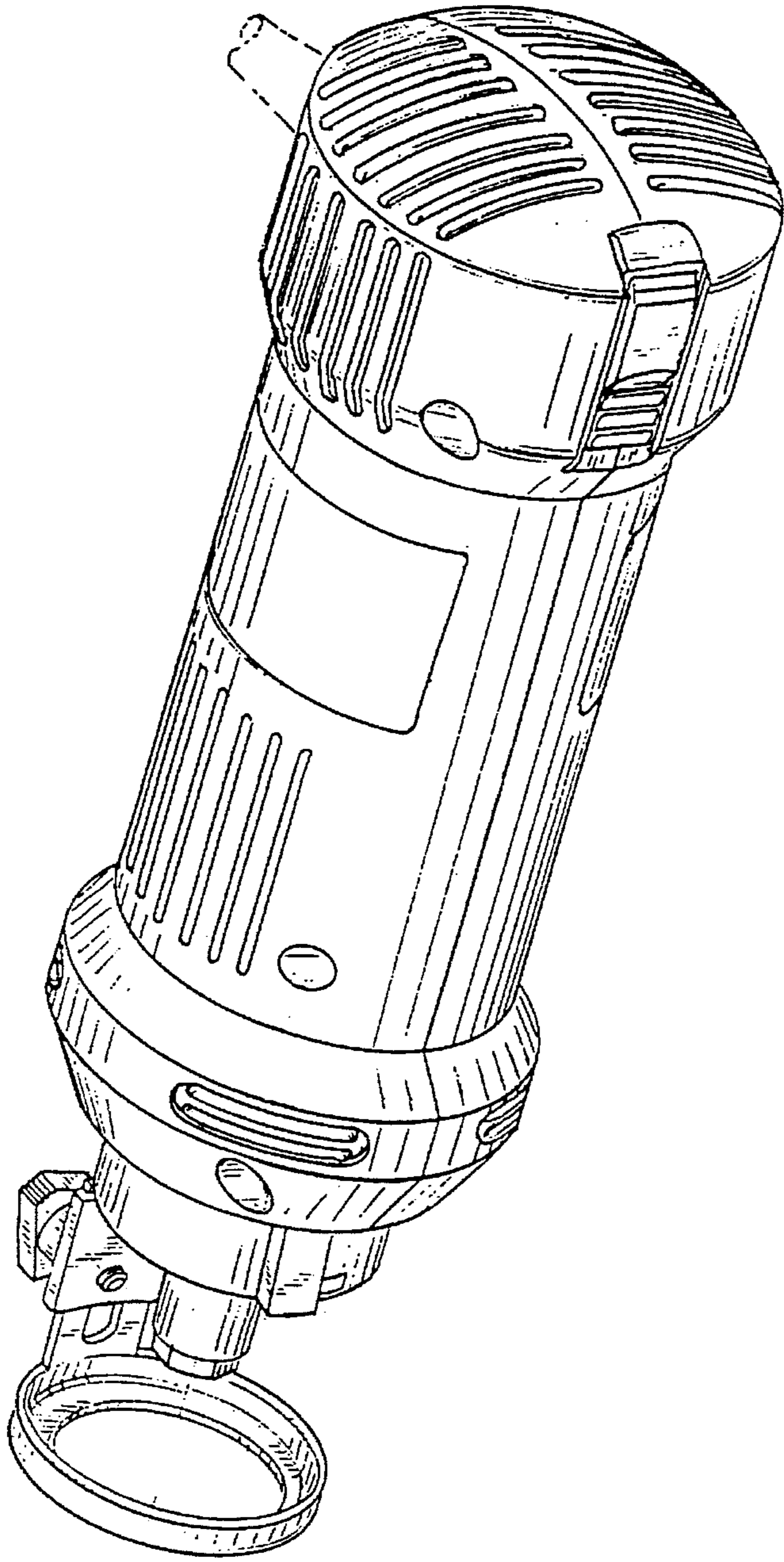


FIG. 1

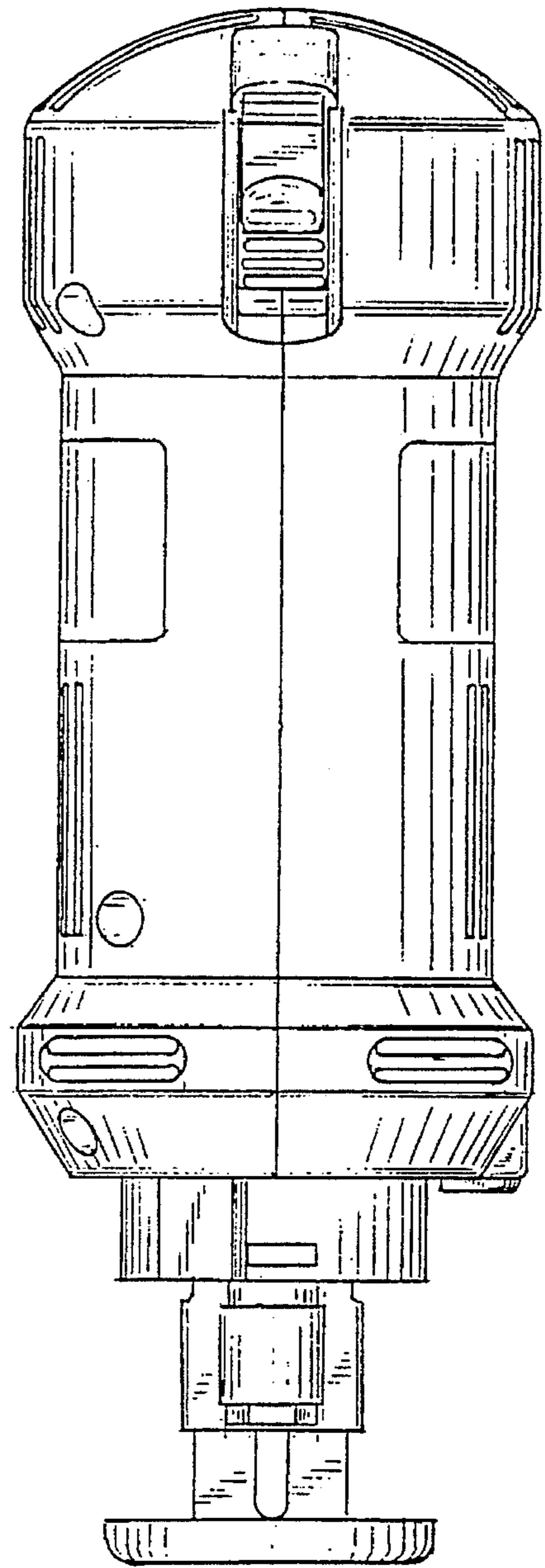


FIG. 2

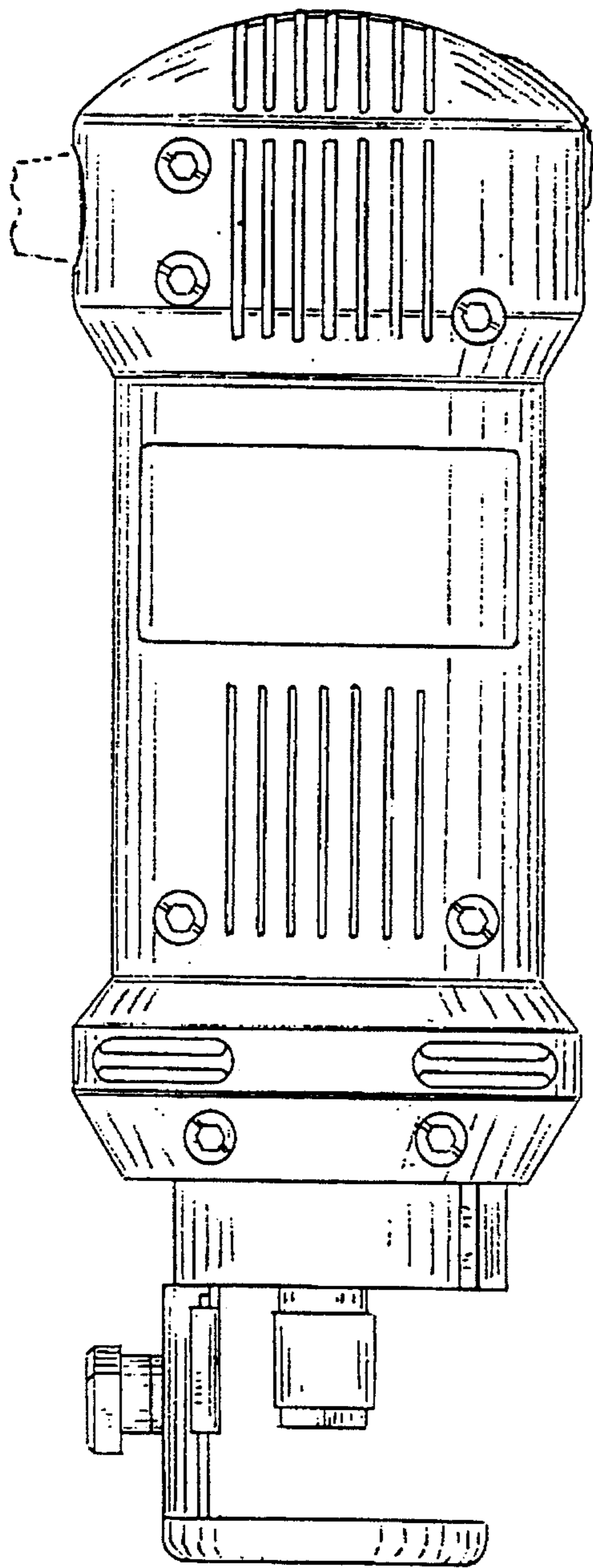


FIG. 3

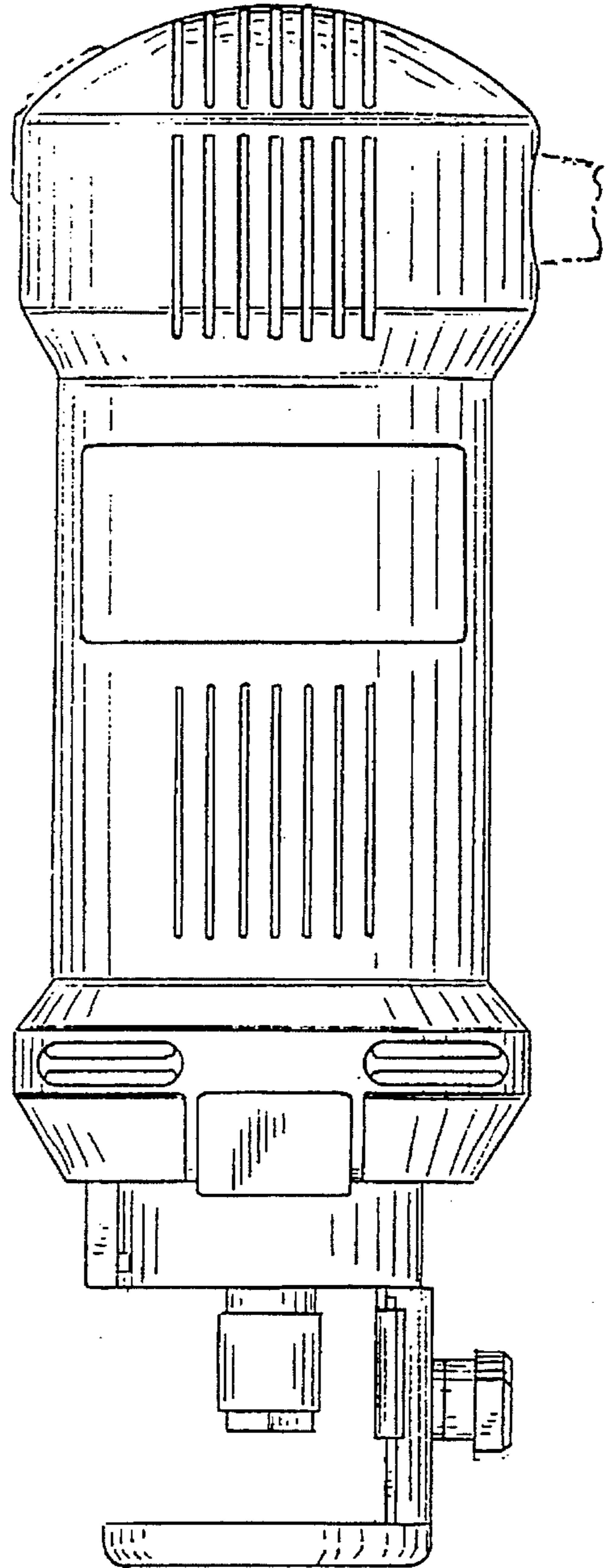


FIG. 4

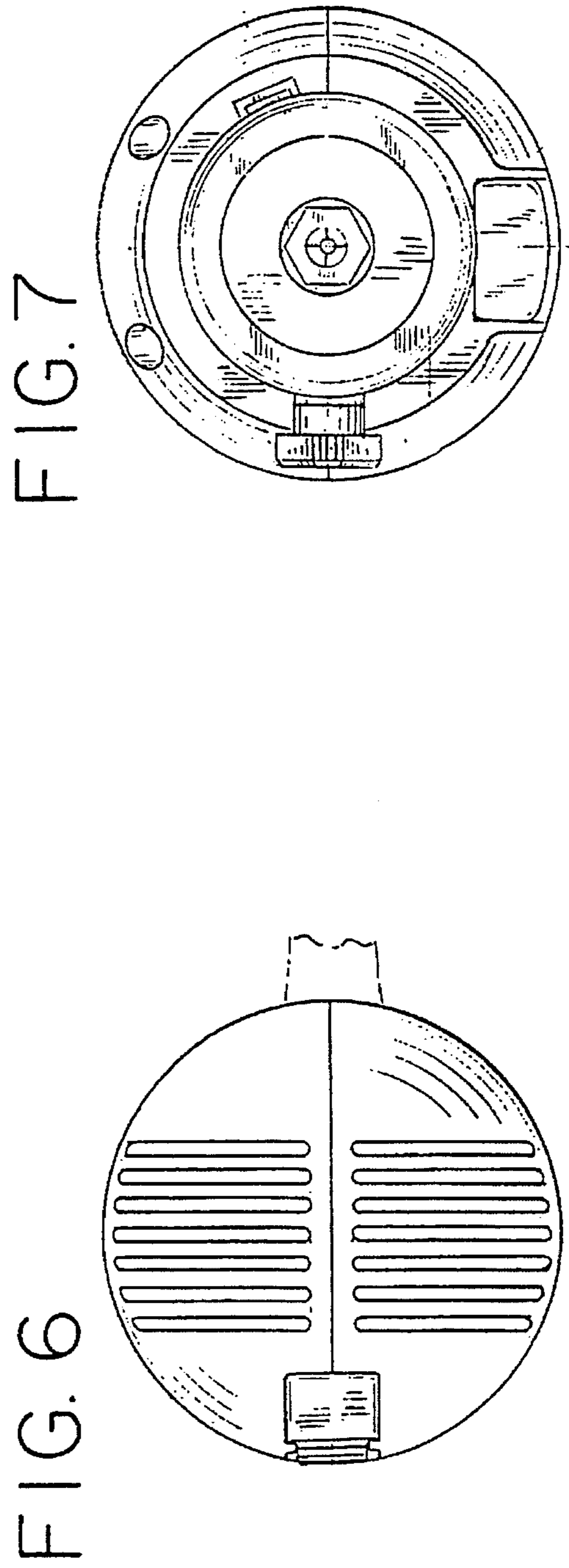
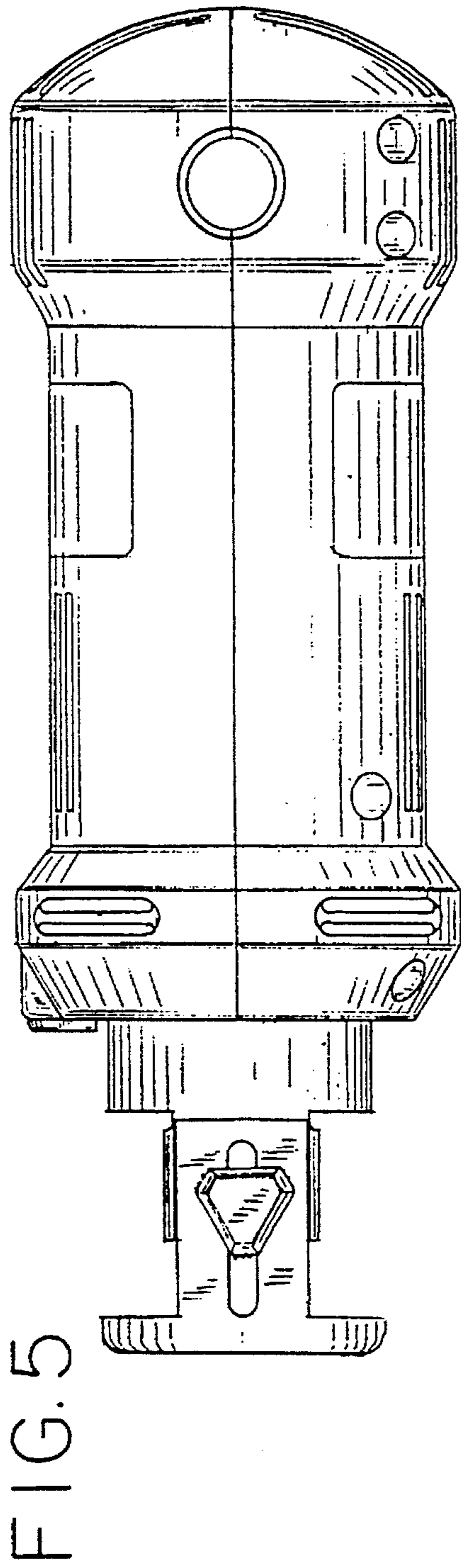


FIG. 7

