



US00D364788S

# United States Patent [19]

Suddeth

[11] Patent Number: **Des. 364,788**

[45] Date of Patent: **\*\*Dec. 5, 1995**

[54] **GRASS CARPET RAKE**

[76] Inventor: **Leighton K. Suddeth**, 106 Huntington Rd., Dalton, Ga. 30720

[\*\*] Term: **14 Years**

[21] Appl. No.: **25,719**

[22] Filed: **Jul. 11, 1994**

[52] U.S. Cl. .... **D8/13**

[58] **Field of Search** ..... D8/13, DIG. 7, D8/107; 15/142, 105, 402, 236.06, 236.08; 56/400.01, 400.04-400.21; 26/31; D4/136

3,838,474 10/1974 Erickson ..... 15/142  
 3,913,169 10/1975 Seymour ..... 15/369  
 3,999,244 12/1976 Brickley .  
 4,042,995 8/1977 Varon .  
 5,036,561 8/1991 Calafut .

*Primary Examiner*—A. Hugo Word  
*Assistant Examiner*—Holly H. Baynham

### [57] CLAIM

The ornamental design for the grass carpet rake, as shown and described.

### DESCRIPTION

FIG. 1 is a front elevational view of the grass carpet rake showing my new design;  
 FIG. 2 is a rear elevational view thereof;  
 FIG. 3 is a left side elevational view thereof;  
 FIG. 4 is a right side elevational view thereof;  
 FIG. 5 is a top plan view thereof;  
 FIG. 6 is a bottom plan view thereof; and,  
 FIG. 7 is an enlarged bottom, side perspective view thereof.

**1 Claim, 4 Drawing Sheets**

[56] **References Cited**

U.S. PATENT DOCUMENTS

D. 250,630	12/1978	Allegretti .....	D8/107
D. 270,226	8/1983	Scarsciotti .	
1,491,608	4/1924	Kaiser .....	15/142
2,679,084	5/1954	Heitt .....	26/31
3,538,533	11/1970	Woods .....	D8/13 X
3,538,617	11/1970	Walters .....	15/402
3,740,783	6/1973	Kopecky .	

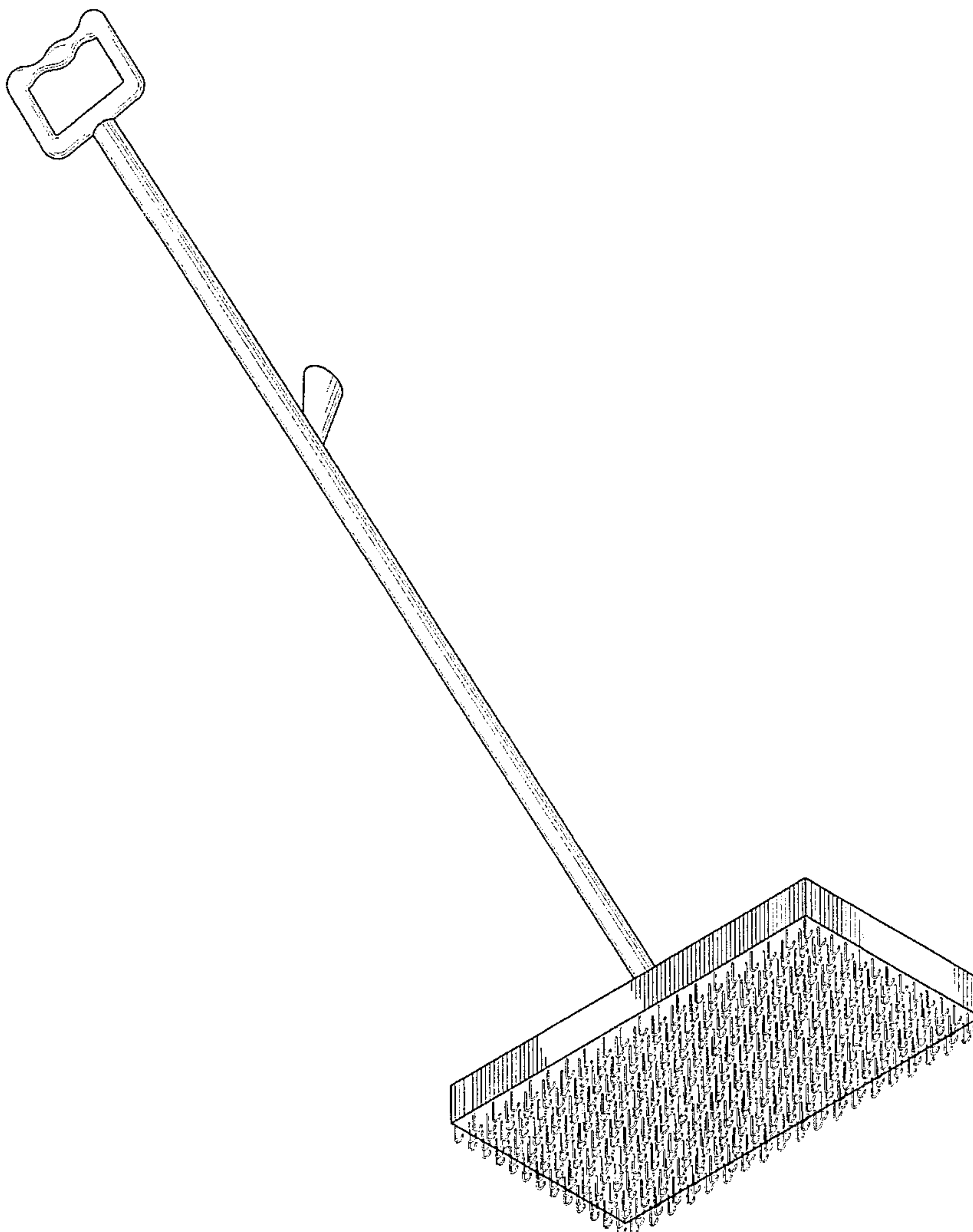


FIG. 1

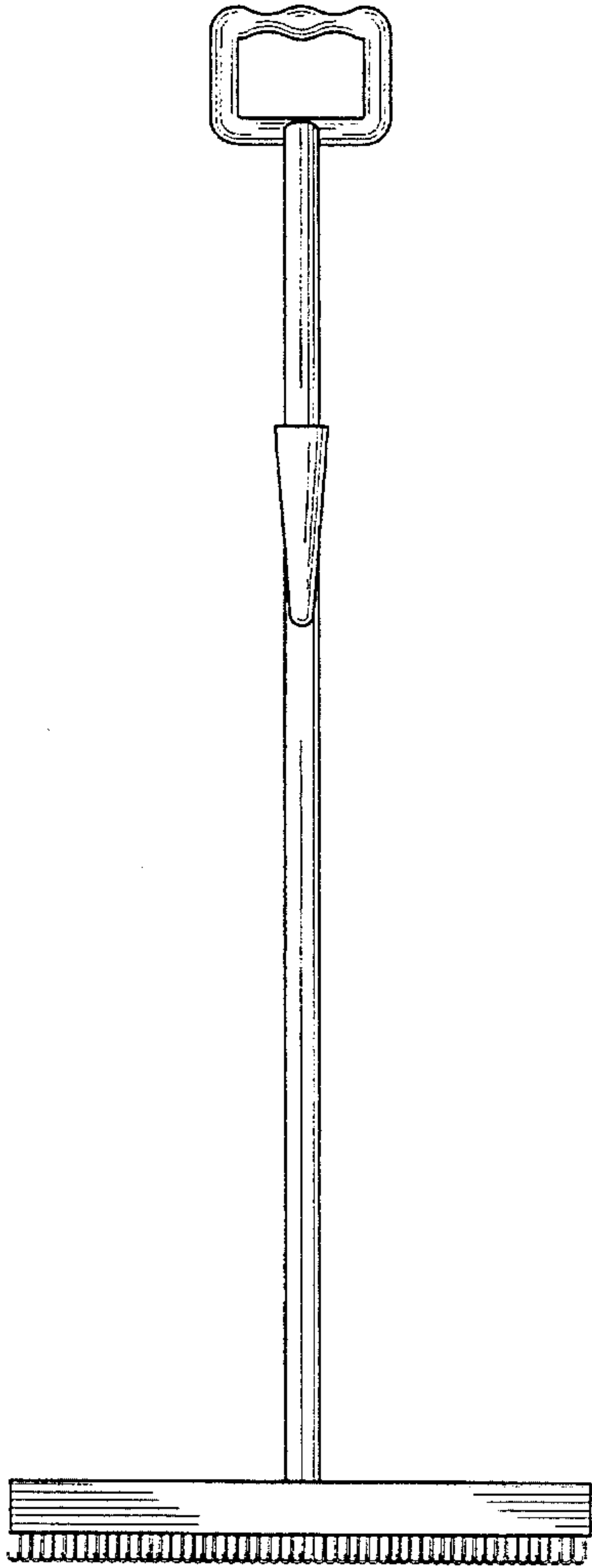
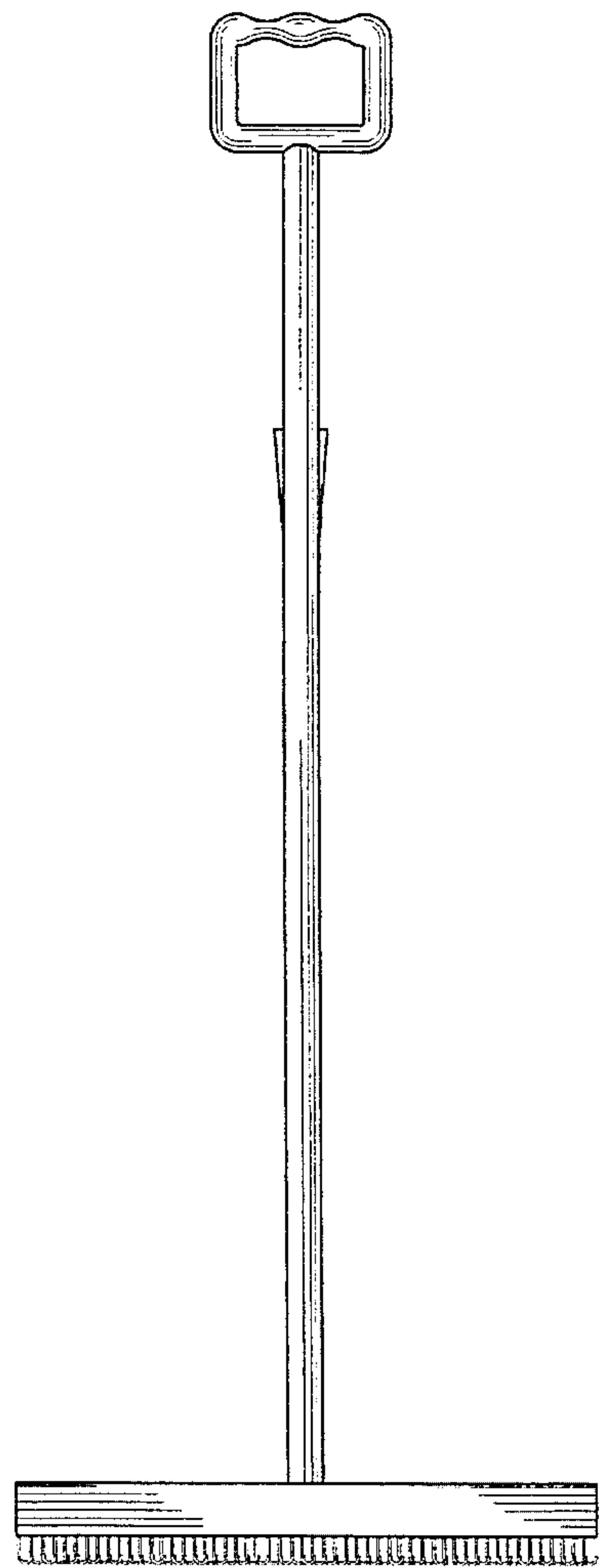


FIG. 2



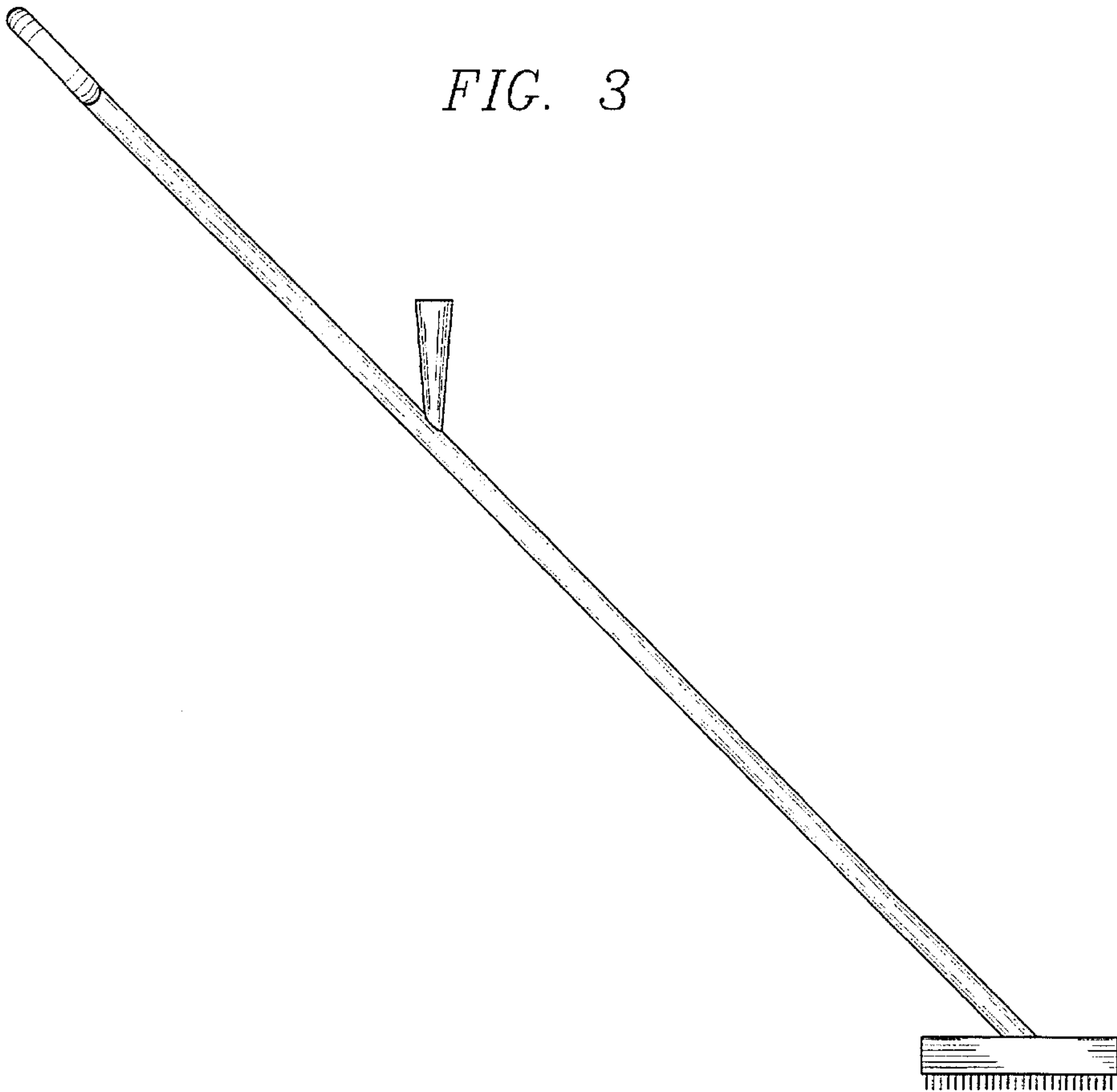


FIG. 3

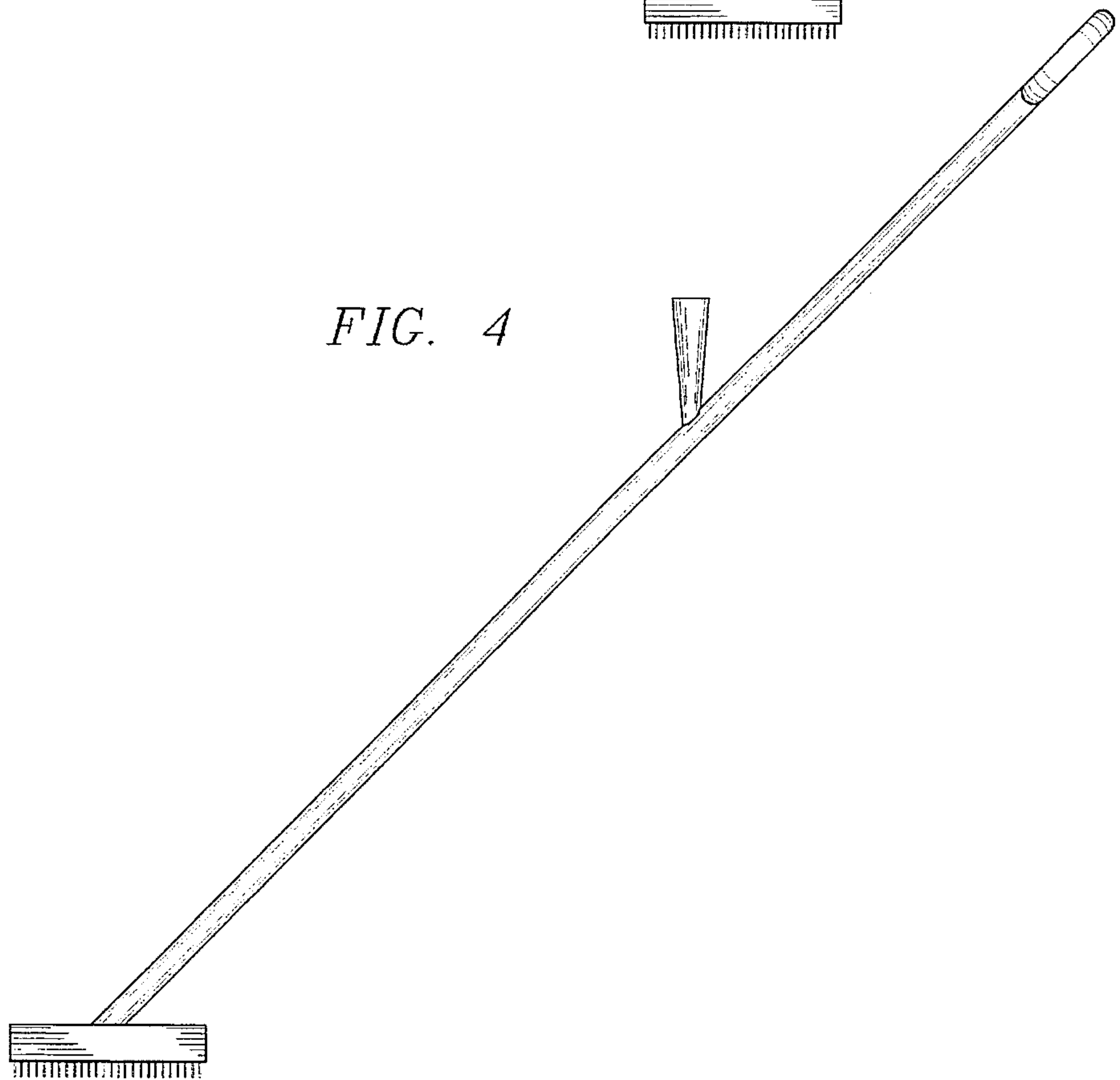


FIG. 4

FIG. 5

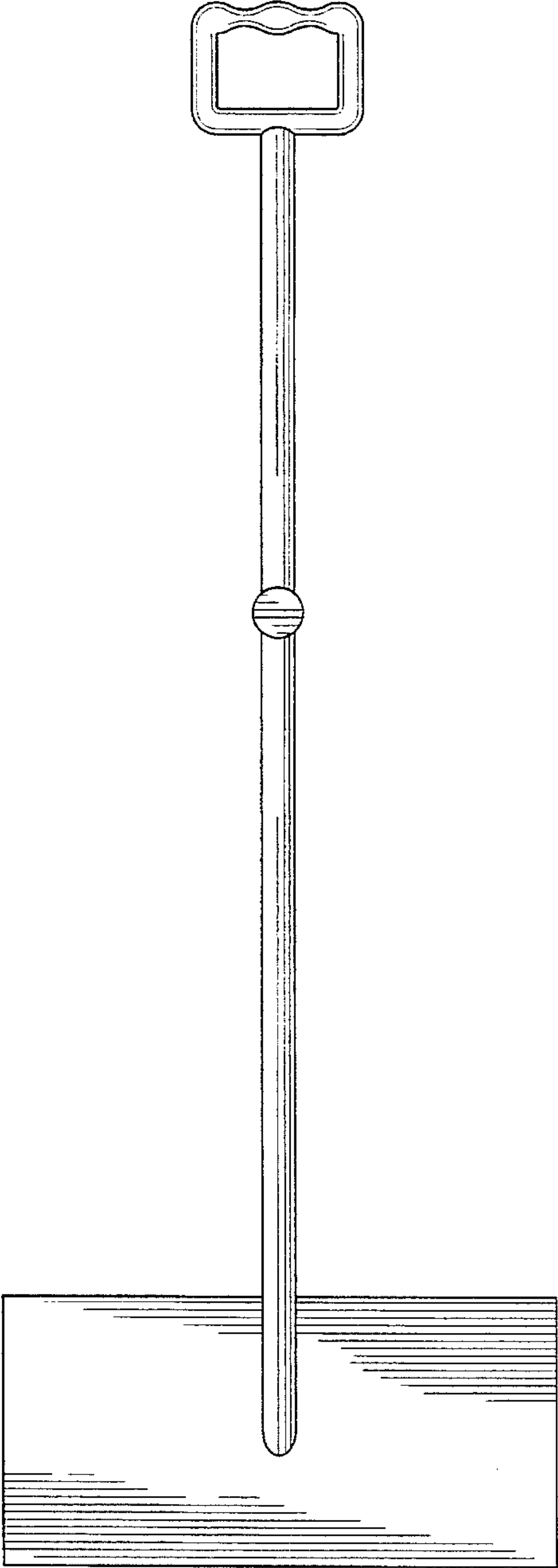


FIG. 6

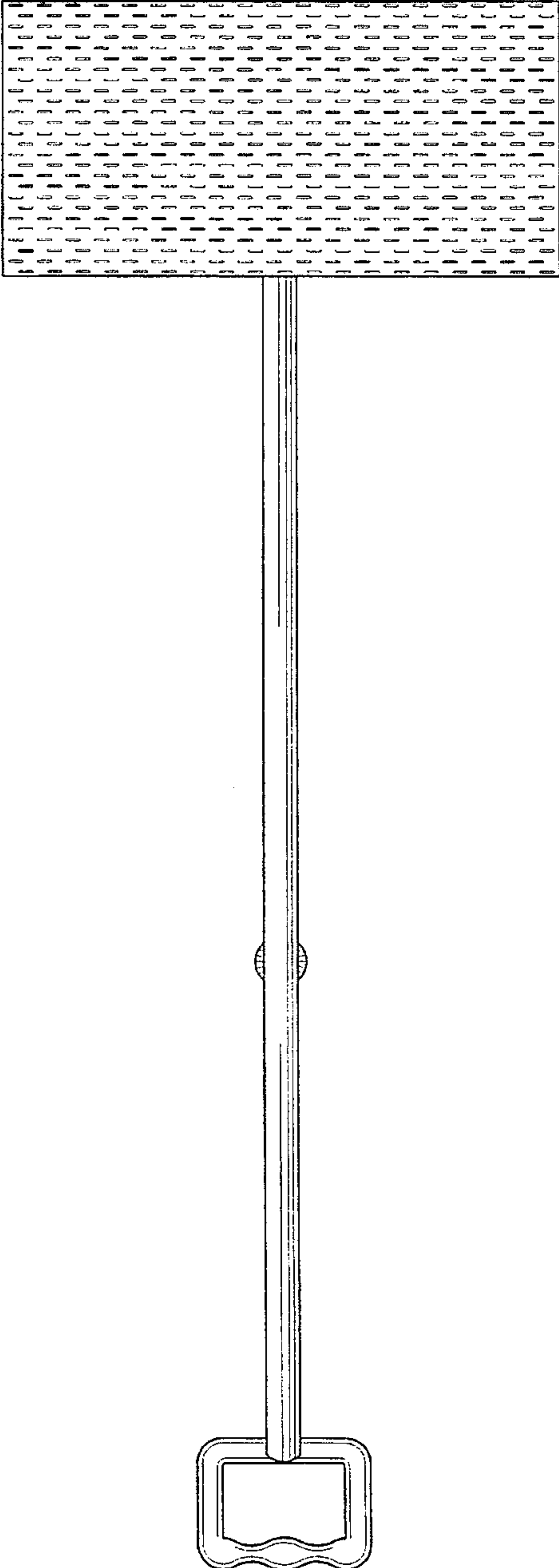


FIG. 7

