



US00D364787S

United States Patent [19]

Kidwell et al.

[11] Patent Number: **Des. 364,787**

[45] Date of Patent: ****Dec. 5, 1995**

[54] **POWER HEAD FOR A VEGETATION CUTTER**

[75] Inventors: **Michael E. Kidwell; Miroslav Dolejsi,** both of Charlotte, N.C.

[73] Assignee: **Homelite Inc.,** Charlotte, N.C.

[**] Term: **14 Years**

[21] Appl. No.: **26,104**

[22] Filed: **Jul. 19, 1994**

[52] U.S. Cl. **D8/8**

[58] Field of Search **D8/8, 65; 56/12.7; 30/276; D15/1**

[56] **References Cited**

U.S. PATENT DOCUMENTS

- D. 308,210 5/1990 Kiyooka et al. D8/8
- D. 342,875 1/1994 Franke et al. D8/8

OTHER PUBLICATIONS

MAC 2816, Eager Beaver 282, McCulloch Corporation, User's Manual, 1993, 2 pages.
Advertisement, Ryobi America Corp., Pro4Mor String Trim-

mer, "Popular Science" magazine, May 1994, 1 page.

Primary Examiner—A. Hugo Work
Assistant Examiner—Holly H. Baynham
Attorney, Agent, or Firm—Perman & Green

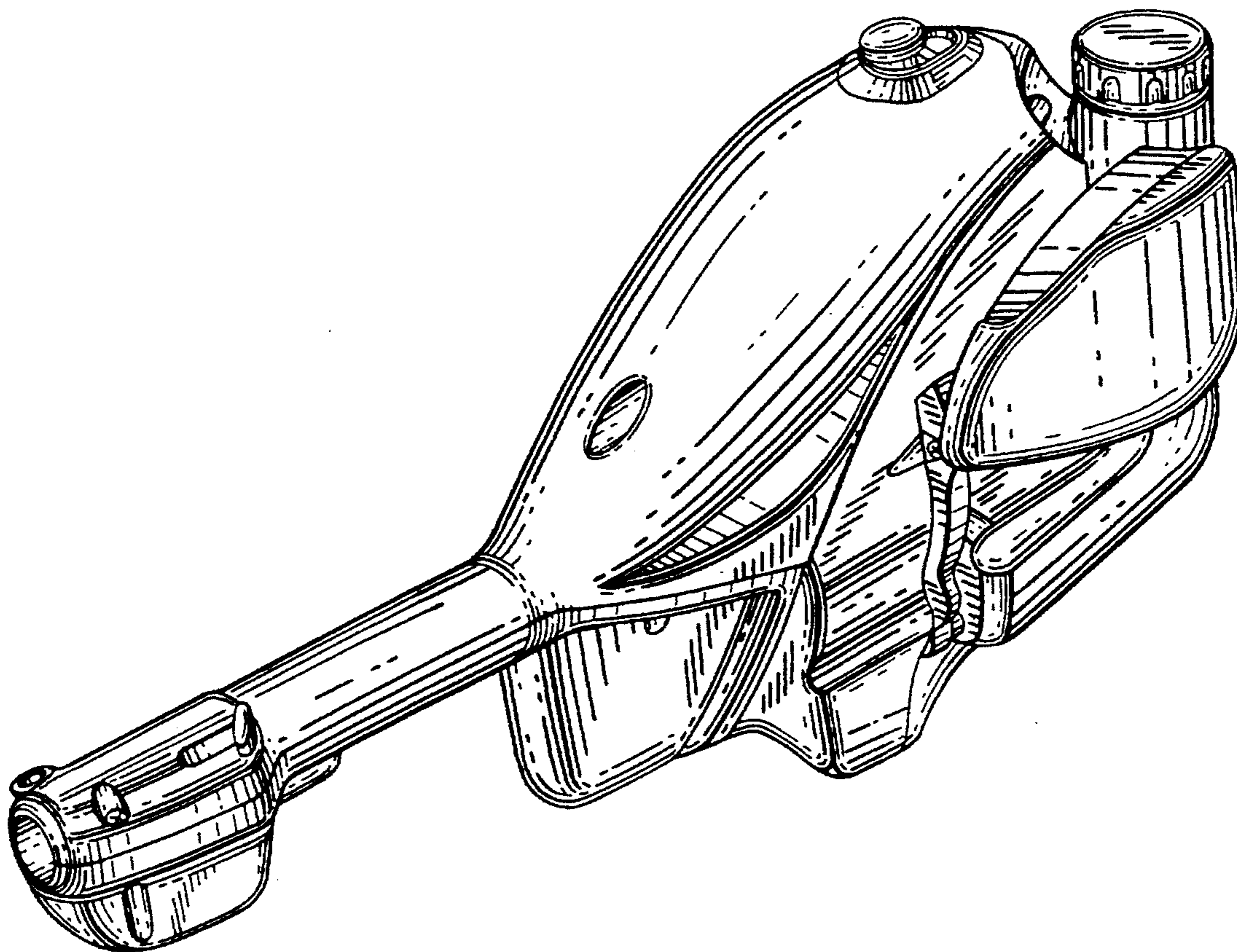
[57] **CLAIM**

The ornamental design for a power head for a vegetation cutter, as shown and described.

DESCRIPTION

FIG. 1 is a front, top and left side perspective view of a power head for a vegetation cutter, showing our new design; FIG. 2 is a left side elevational view thereof; FIG. 3 is a top plan view thereof; FIG. 4 is a rear elevational view thereof; FIG. 5 is a front elevational view thereof; FIG. 6 is a right side elevational view thereof; and, FIG. 7 is a bottom plan view thereof.

1 Claim, 5 Drawing Sheets



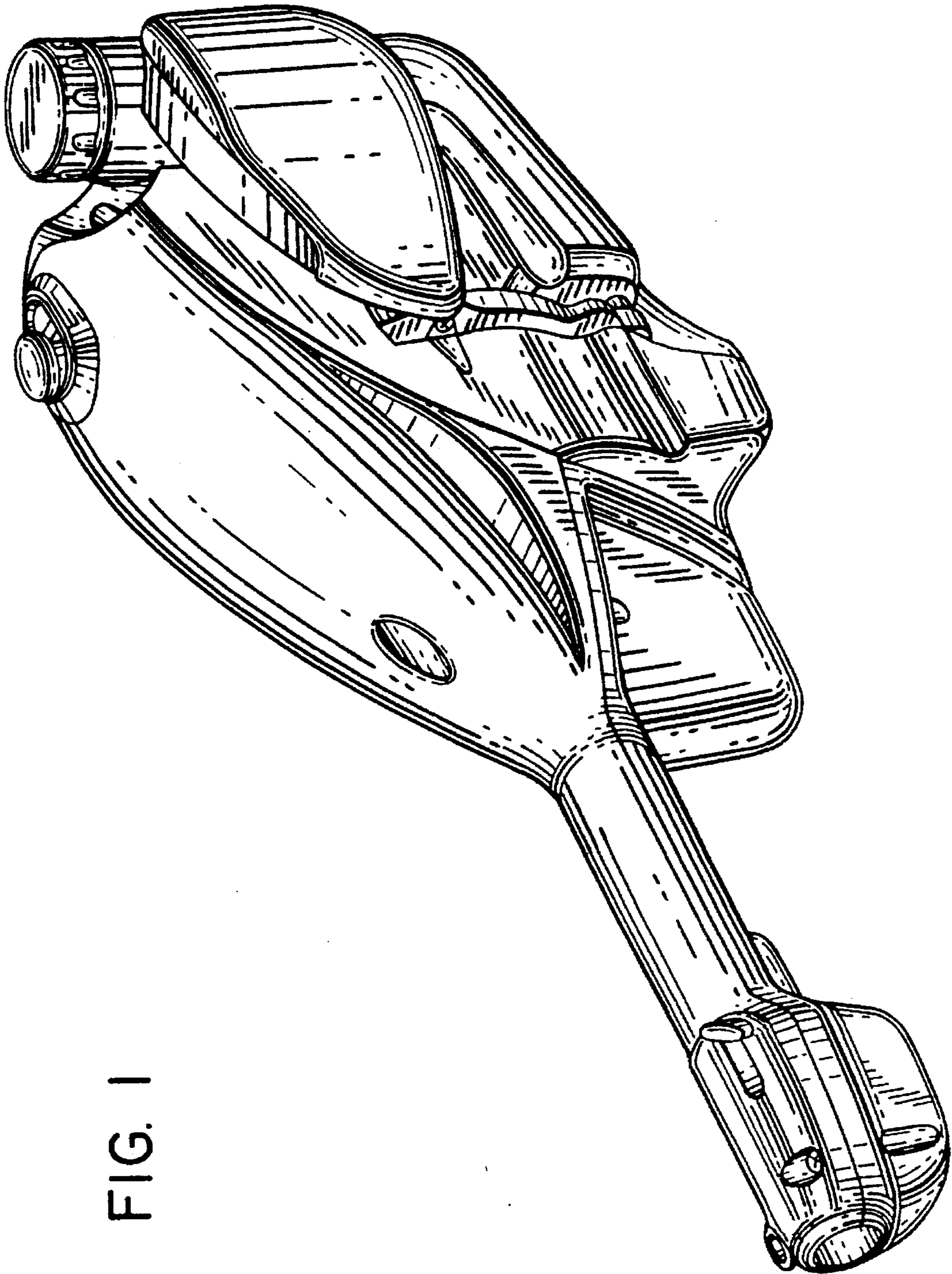


FIG. 1

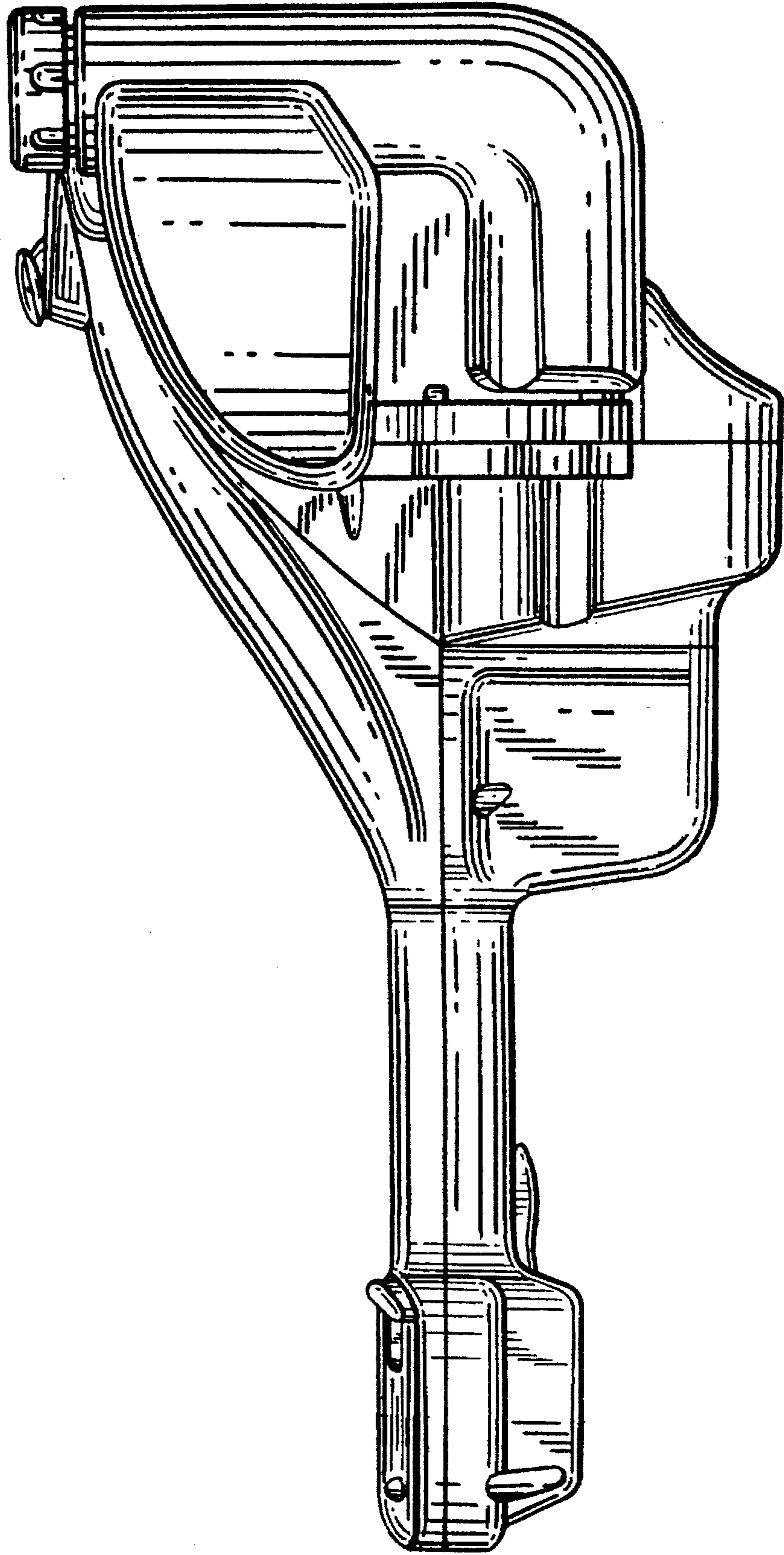


FIG. 2

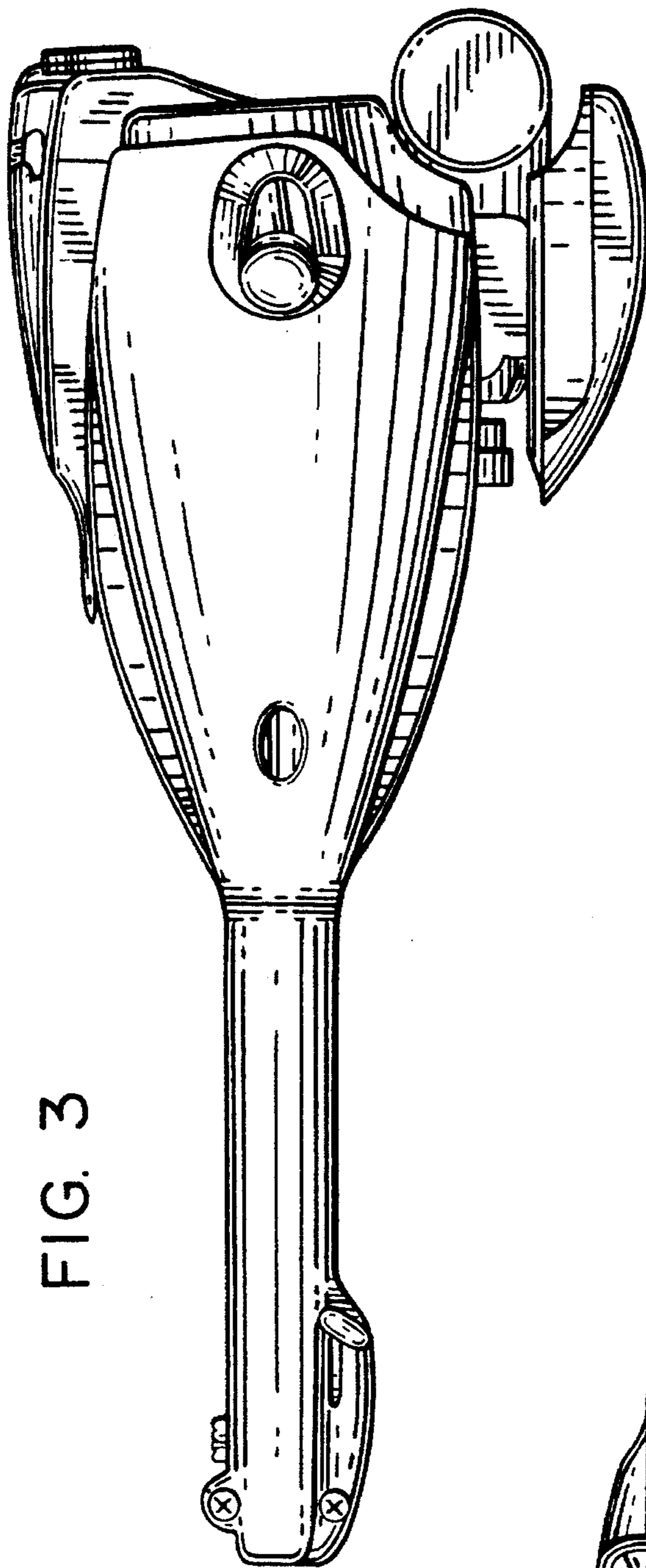


FIG. 3

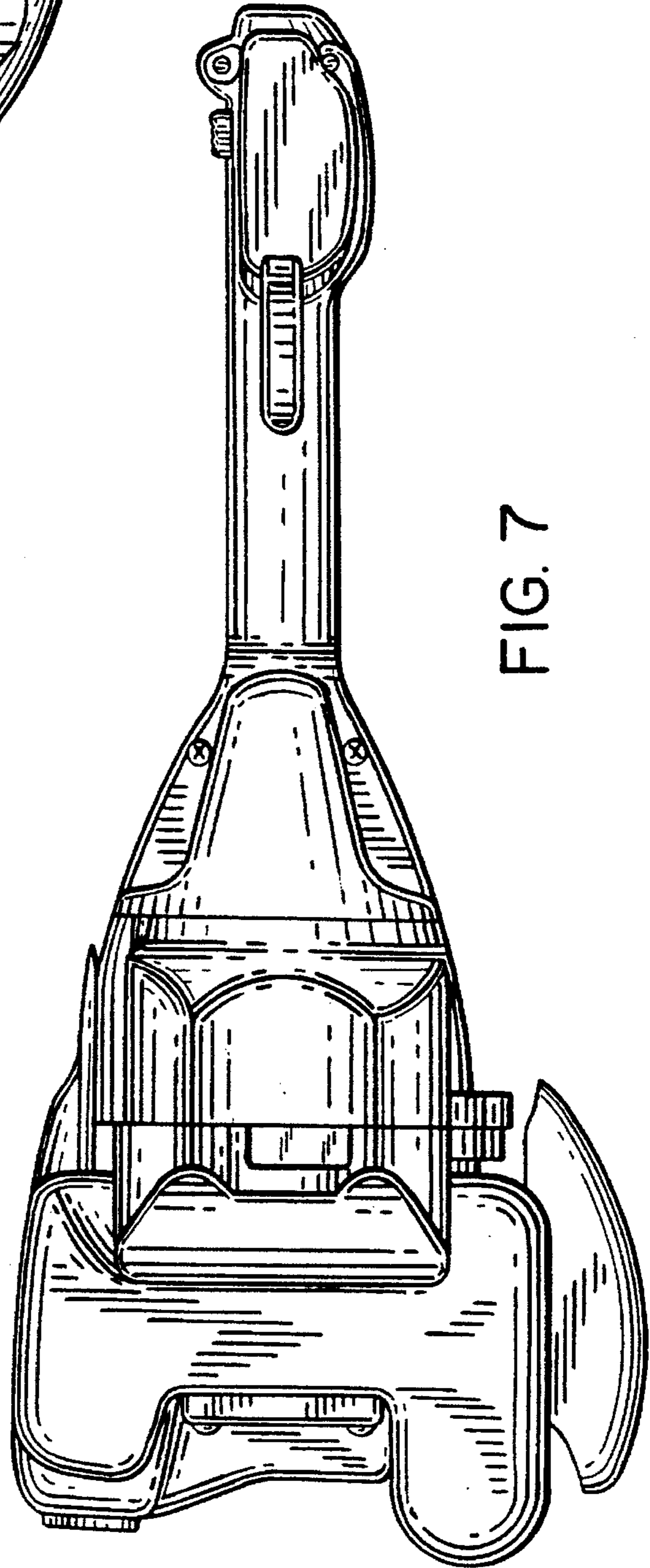


FIG. 7

FIG. 4

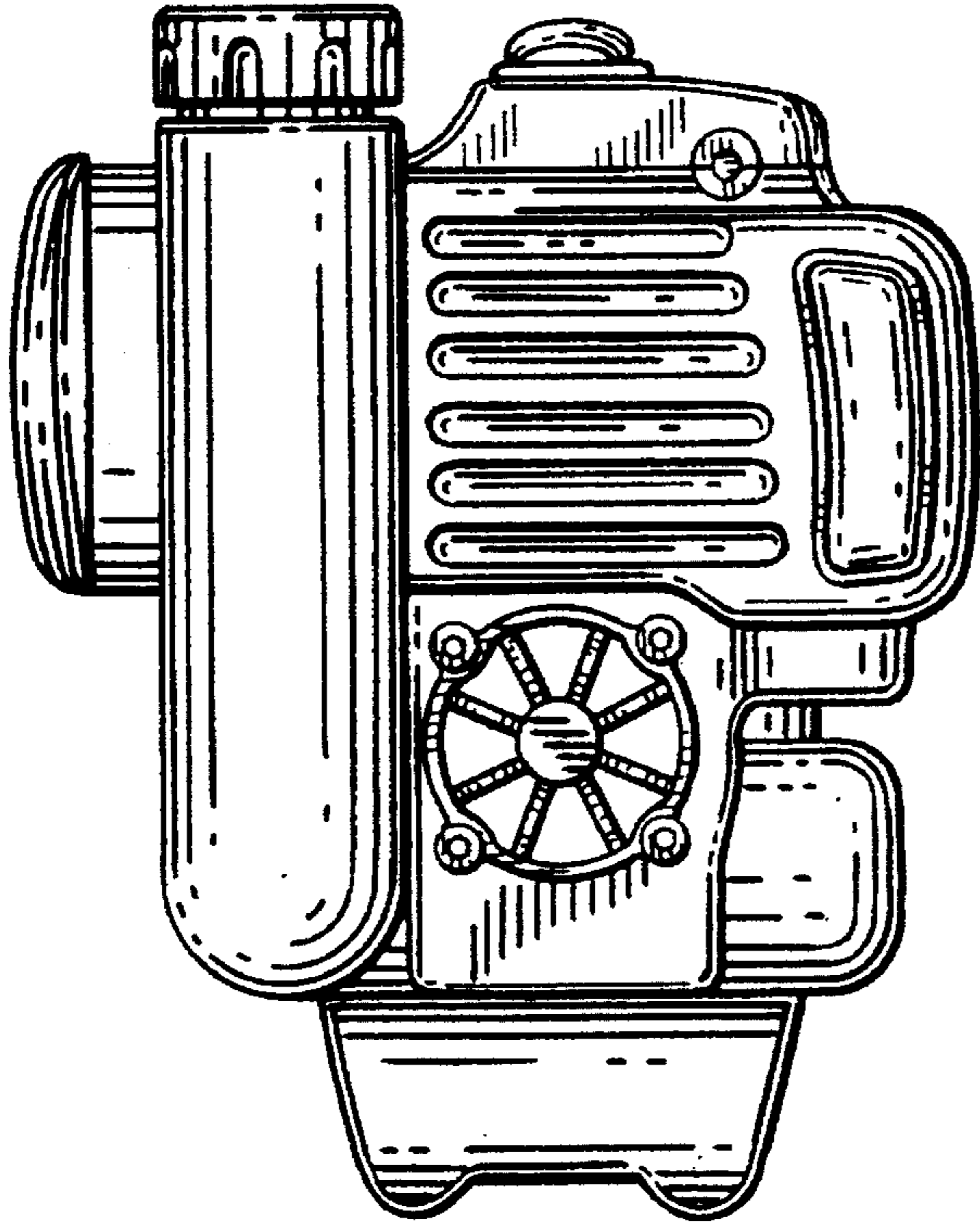


FIG. 5

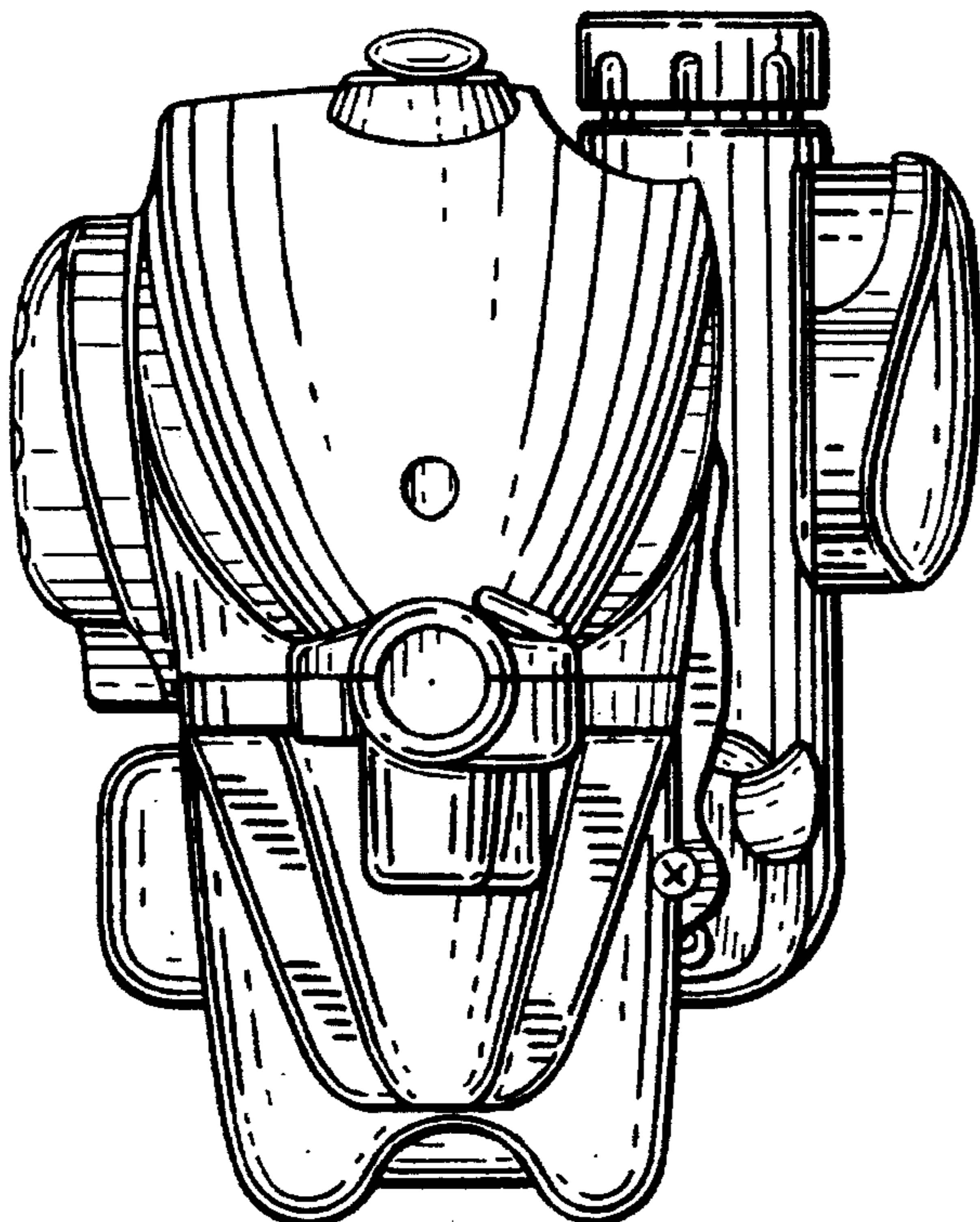


FIG. 6

