



US00D364786S

United States Patent [19]

Taylor et al.

[11] Patent Number: **Des. 364,786**

[45] Date of Patent: ****Dec. 5, 1995**

[54] **PORTABLE, HAND HELD FERTILIZER DISPENSER**

[76] Inventors: **Edward O. Taylor**, Rte. 2. Box 157E;
Roy E. Butler, Jr., Rte. 2. Box 157B,
both of Huntington, Tex. 75949

[**] Term: **14 Years**

[21] Appl. No.: **4,939**

[22] Filed: **Feb. 17, 1993**

Related U.S. Application Data

[63] Continuation-in-part of Ser. No. 728,945, Jul. 11, 1991, Pat. No. Des. 337,245.

[52] **U.S. Cl.** **D8/2**

[58] **Field of Search** **D8/2; 222/471, 222/470, 473**

[56] References Cited

U.S. PATENT DOCUMENTS

- D. 192,601 4/1962 Love, Jr. D8/2
- D. 333,951 3/1993 Courtney et al. D8/2
- 485,545 11/1892 Holt 222/471

- 1,097,570 5/1914 Tatár 222/471
- 1,882,340 10/1932 Ryan 222/471 X
- 2,733,839 2/1956 Blum 222/471 X
- 2,772,815 12/1956 Bye 222/473 X
- 3,106,322 10/1963 Lynskey 222/473
- 4,286,737 9/1981 Gallant 222/470

Primary Examiner—A. Hugo Word
Assistant Examiner—Holly H. Baynham
Attorney, Agent, or Firm—Harold H. Dutton, Jr.

[57] CLAIM

The ornamental design for a portable, hand held fertilizer dispenser, as shown and described.

DESCRIPTION

FIG. 1 is a rear view of a portable, hand held fertilizer dispenser showing our new design;
FIG. 2 is a front elevational view thereof;
FIG. 3 is a right side elevational view thereof, the left side being a mirror image of that shown;
FIG. 4 is a top plan view thereof;
FIG. 5 is a bottom view thereof; and,
FIG. 6 is a bottom perspective view thereof.

1 Claim, 3 Drawing Sheets

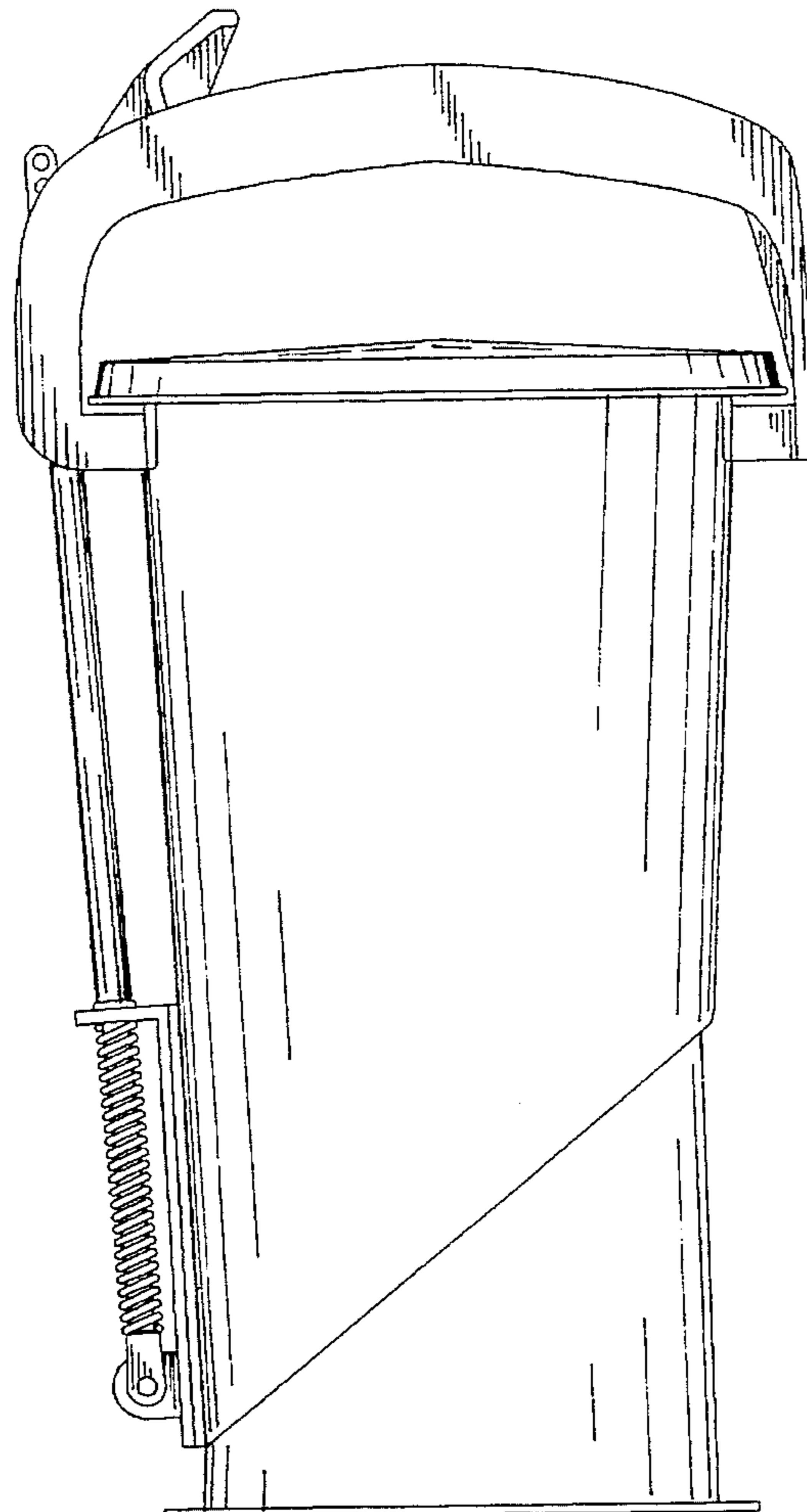


FIG. 1

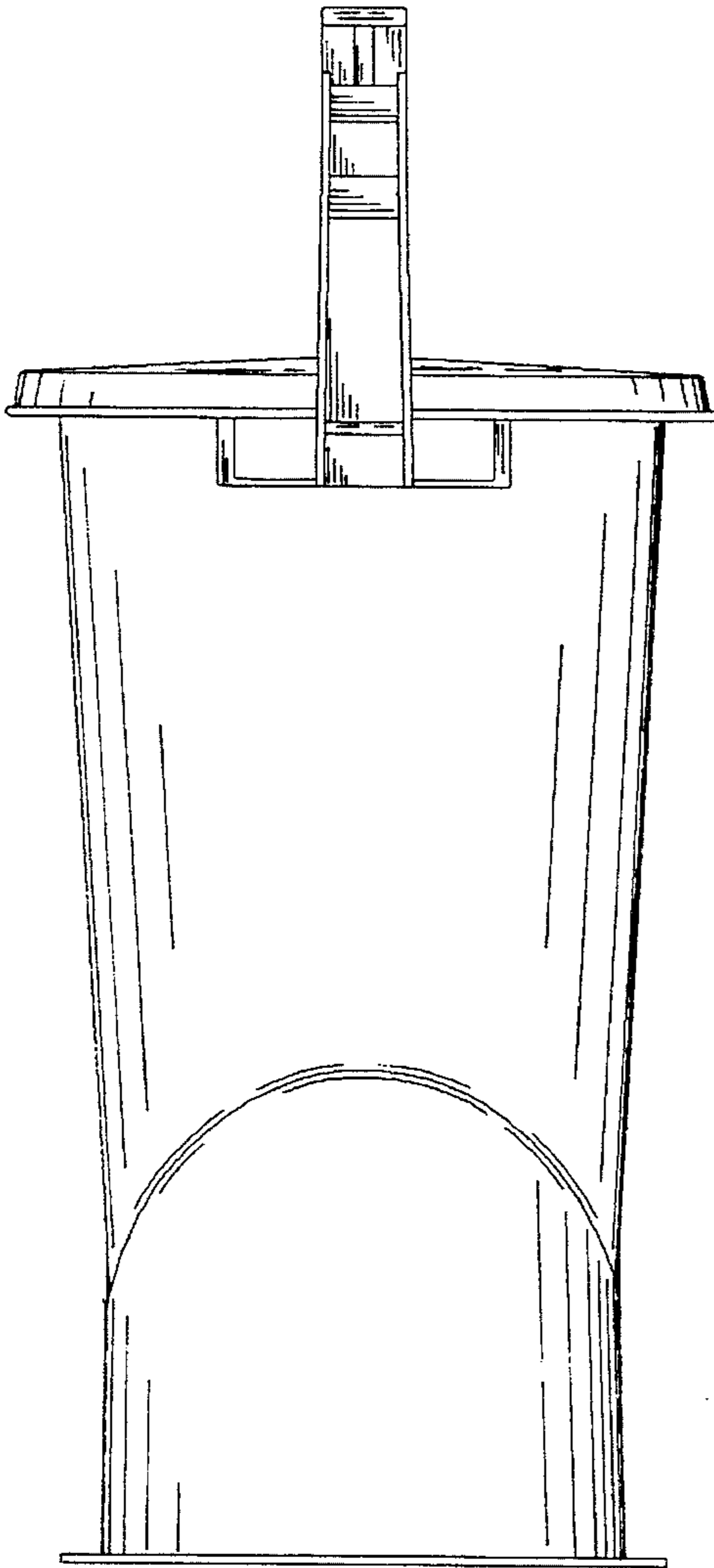


FIG. 2

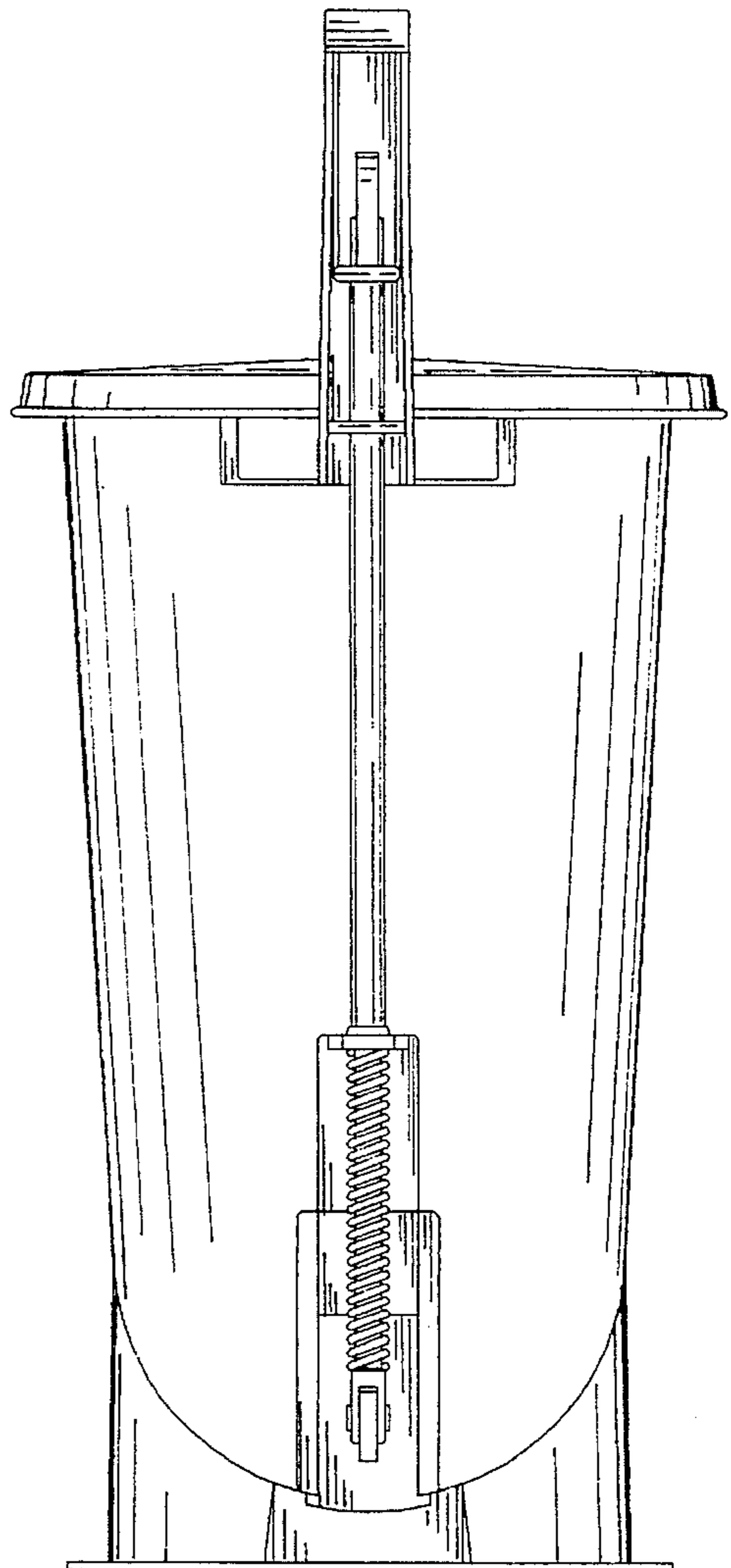


FIG. 3

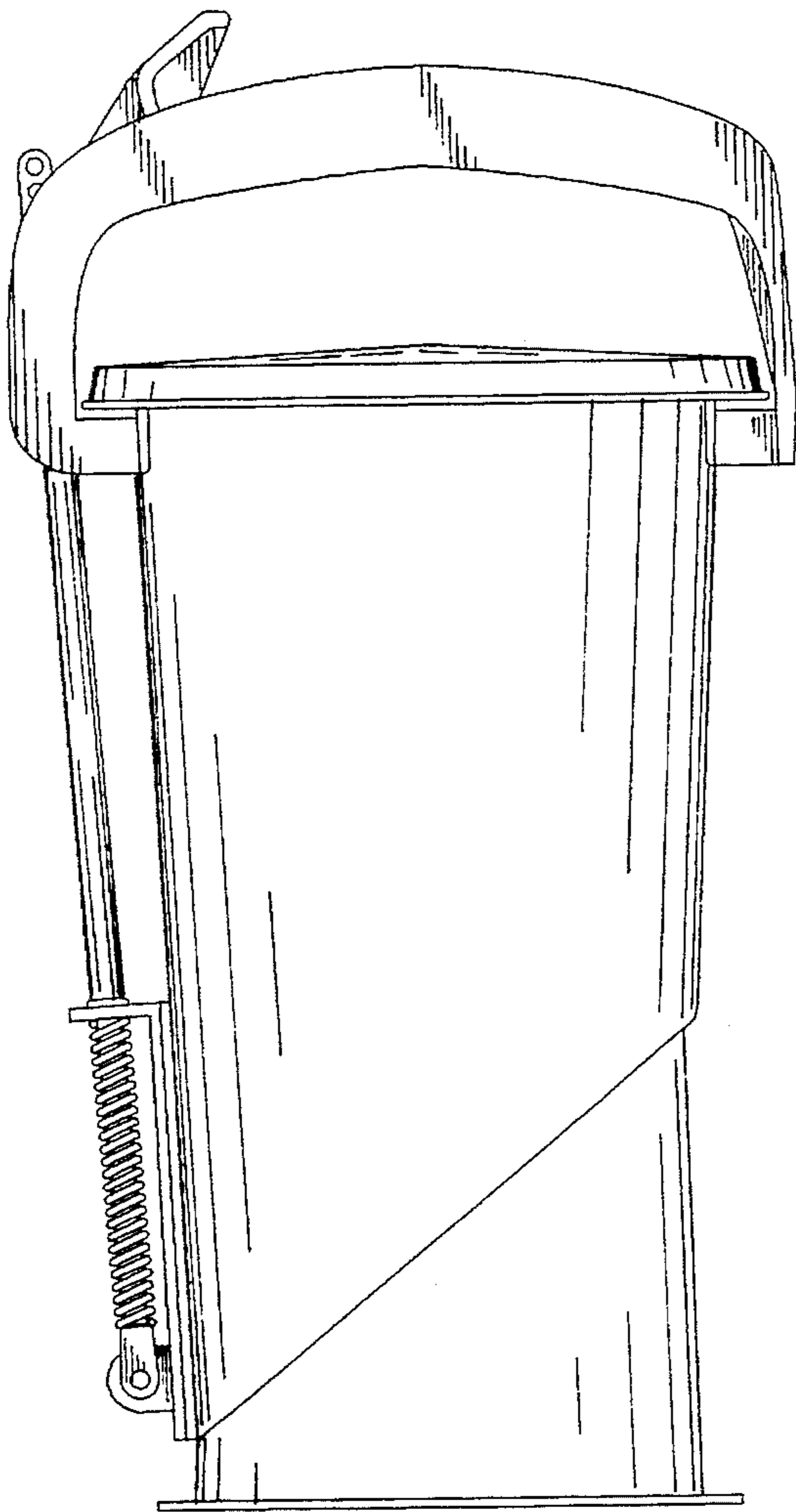


FIG. 4

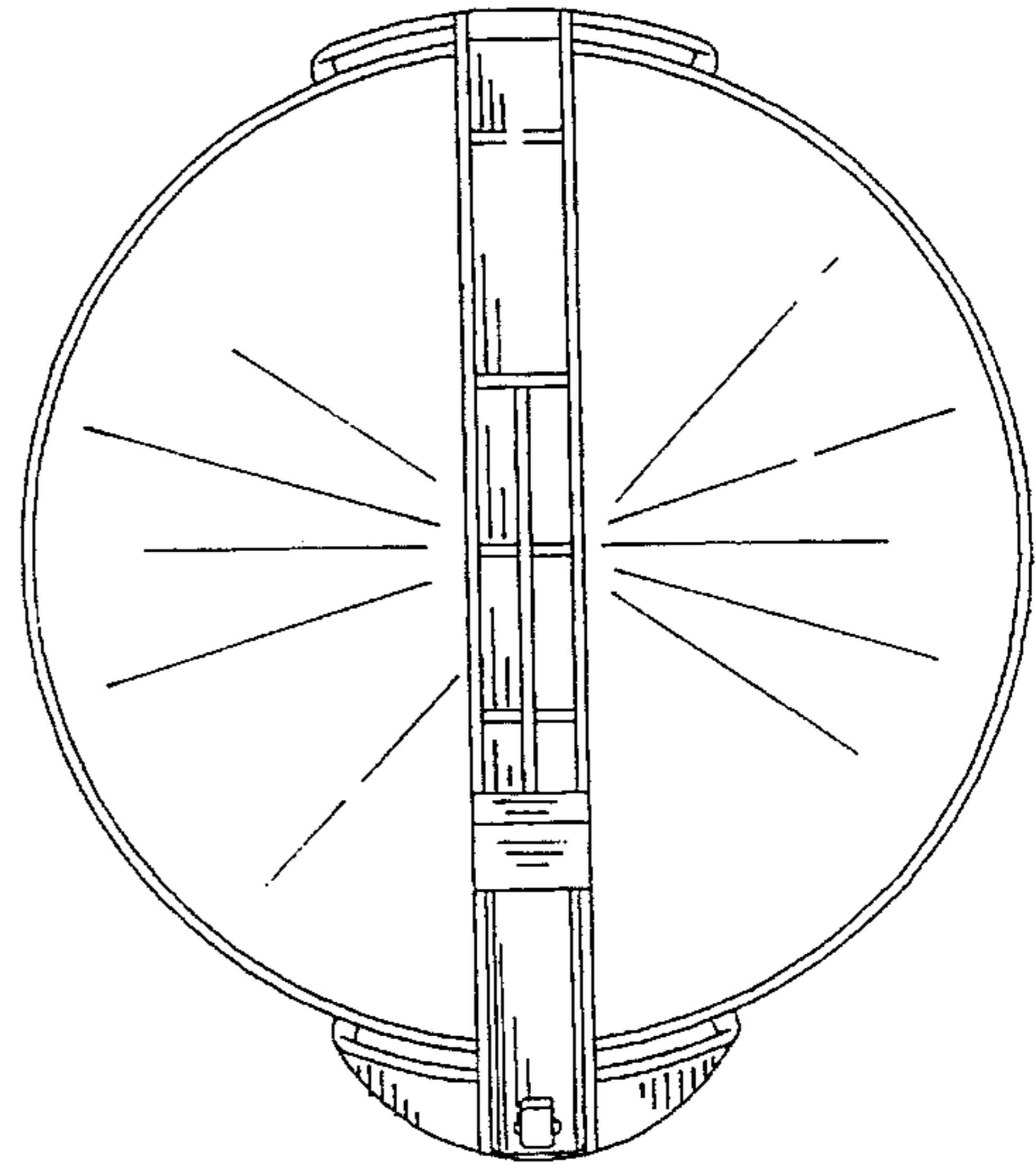


FIG. 5

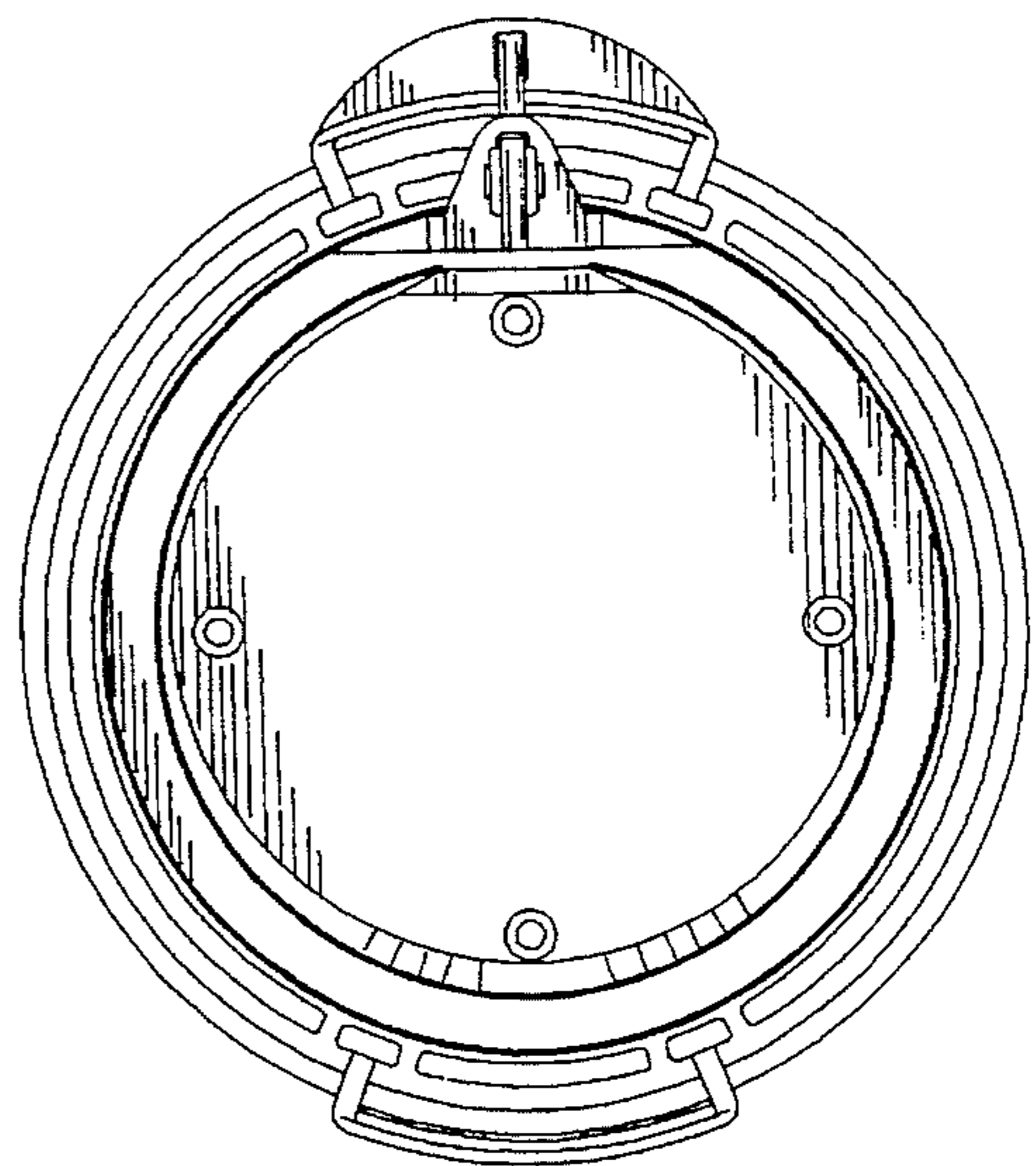


FIG. 6

