



US00D364785S

United States Patent [19] Archambeau

[11] **Patent Number:** **Des. 364,785**
[45] **Date of Patent:** ****Dec. 5, 1995**

[54] **COMBINED PLANT AND FENCE STAKE**

4,750,293 6/1988 Dike .

[76] Inventor: **Dave Archambeau**, P.O. Box 1323,
Lyndonville, Vt. 05851

Primary Examiner—A. Hugo Word
Assistant Examiner—Holly Baynham
Attorney, Agent, or Firm—Richard M. Saccocio

[**] Term: **14 Years**

[57] **CLAIM**

[21] Appl. No.: **26,927**

The ornamental design for a combined plant and fence stake,
as shown and described.

[22] Filed: **Aug. 8, 1994**

DESCRIPTION

Related U.S. Application Data

[63] Continuation-in-part of Ser. No. 7,503, Apr. 26, 1993, Pat.
No. Des. 349,434.

[52] **U.S. Cl.** **D8/1; D25/131**

[58] **Field of Search** D8/1; 47/40, 47,
47/47 R; 248/528; D25/127, 131, 134

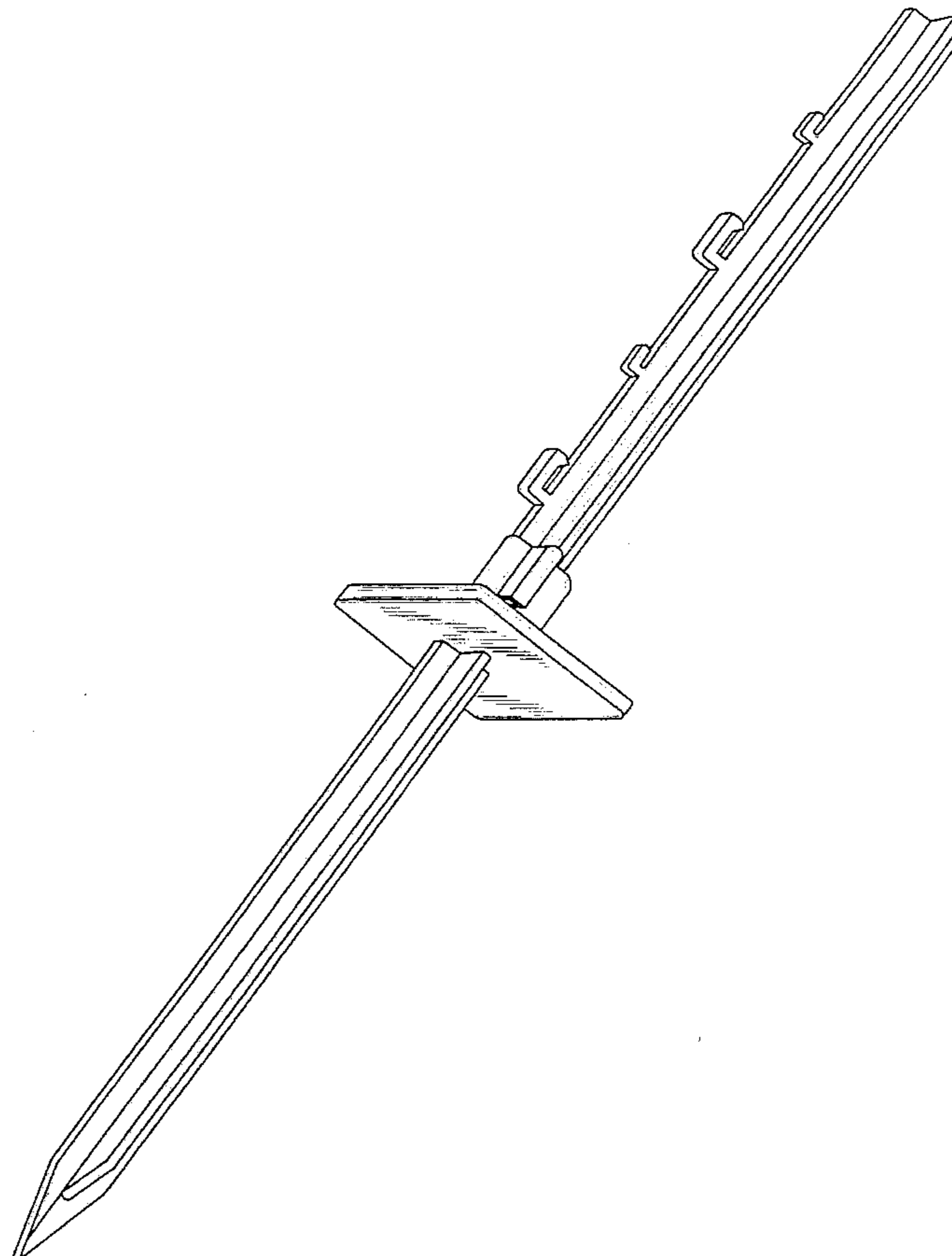
FIG. 1 is a side elevational view of the lower component of
a combined plant and fence stake showing my new design
with the opposite side being a mirror image;
FIG. 2 is an end elevational view thereof with the opposite
end being a mirror image;
FIG. 3 is a top plan view thereof;
FIG. 4 is a bottom plan view thereof;
FIG. 5 is a side elevational view of the upper component of
the combined plant and fence stake with the opposite side
being a mirror image;
FIG. 6 is an end elevation view thereof with the opposite end
being a mirror image;
FIG. 7 is a top plan view thereof;
FIG. 8 is a bottom plan view thereof; and,
FIG. 9 is a perspective view of an assembled combined plant
and fence stake showing my new design.
The combined plant and fence stake is shown detached in
FIGS. 1-8 for clarity of illustration.

[56] References Cited

U.S. PATENT DOCUMENTS

D. 240,754	7/1976	Shroyer	D8/1
D. 260,960	9/1981	Malia	.	
D. 334,333	3/1993	Christen et al.	D8/1 X
1,976,264	10/1934	Miner	.	
2,764,846	10/1956	Worthington	.	
3,165,863	1/1965	Duran	.	
3,447,263	6/1969	Johnson	.	
4,048,752	9/1977	Anderson	.	
4,164,094	8/1979	Kempka	.	
4,503,636	3/1985	Stuckey	.	
4,677,788	7/1987	Mastandrea	47/47

1 Claim, 3 Drawing Sheets



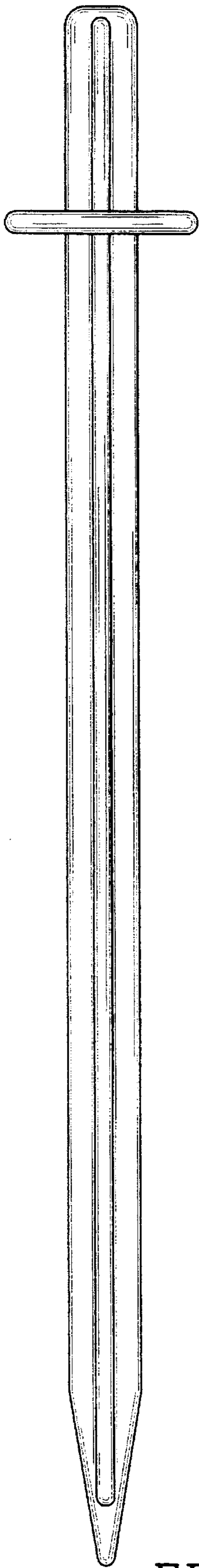


FIG. 1

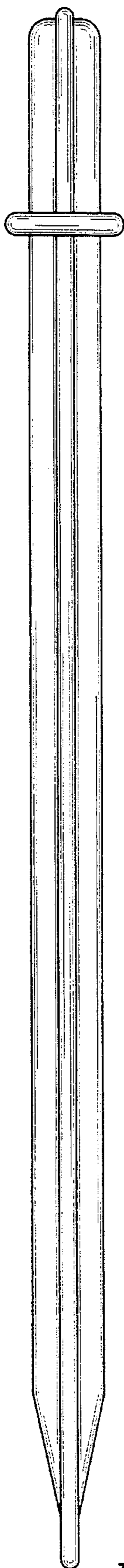


FIG. 2

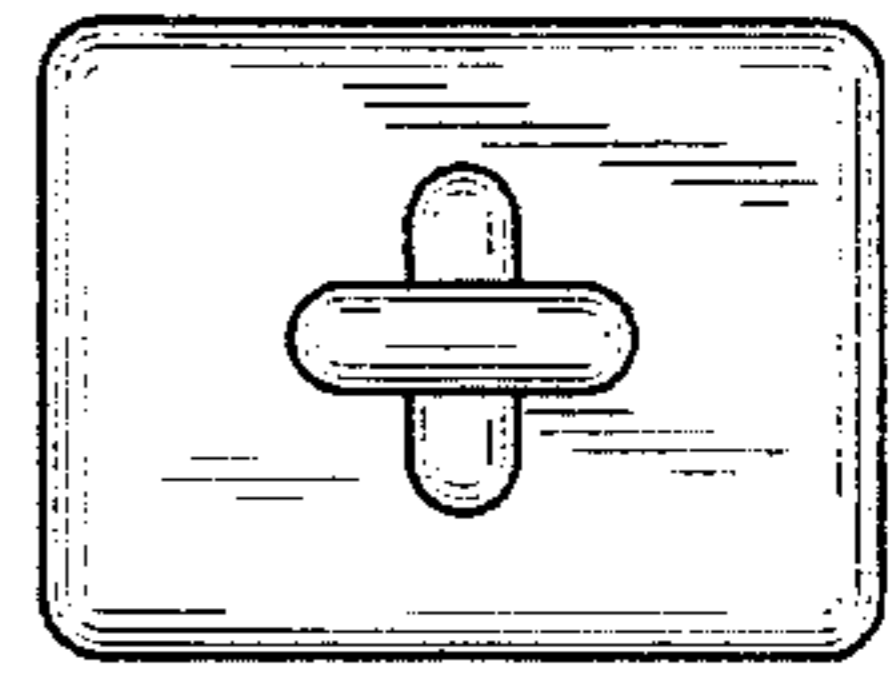


FIG. 3

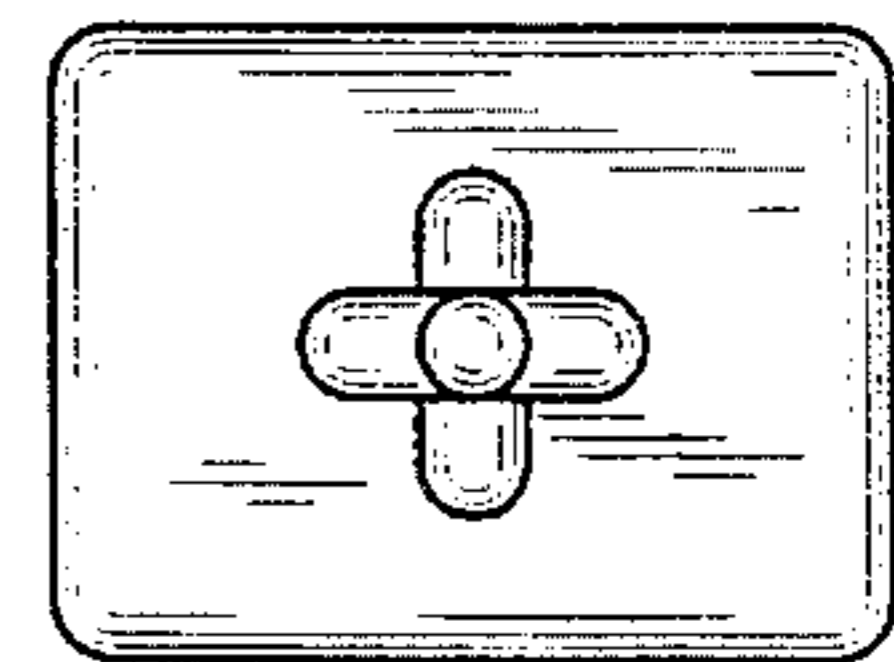


FIG. 4

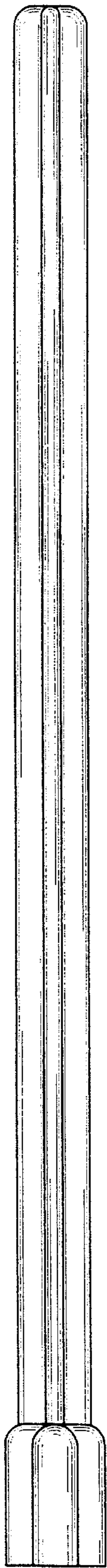


FIG. 5

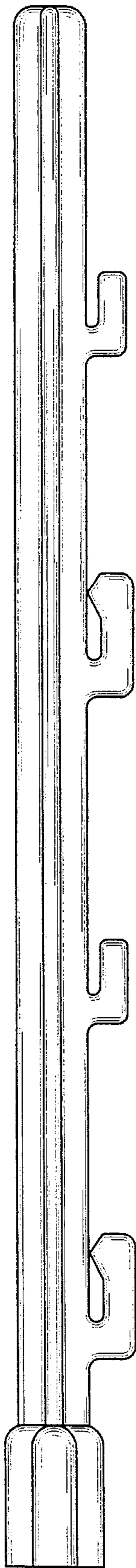


FIG. 6

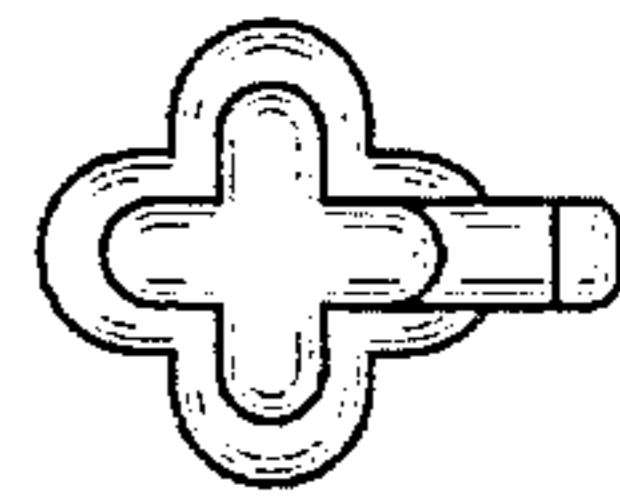


FIG. 7

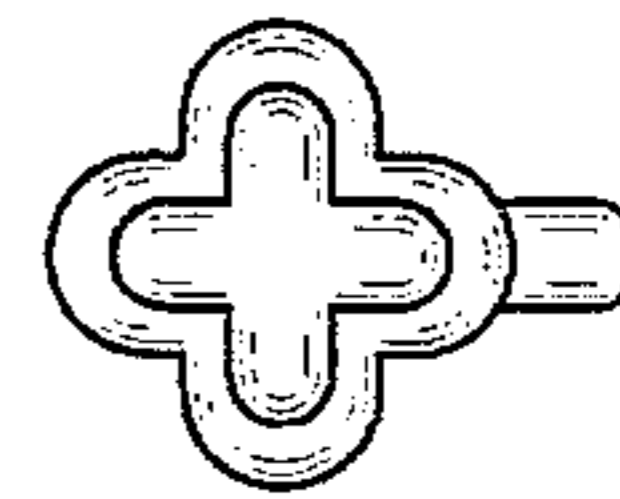


FIG. 8

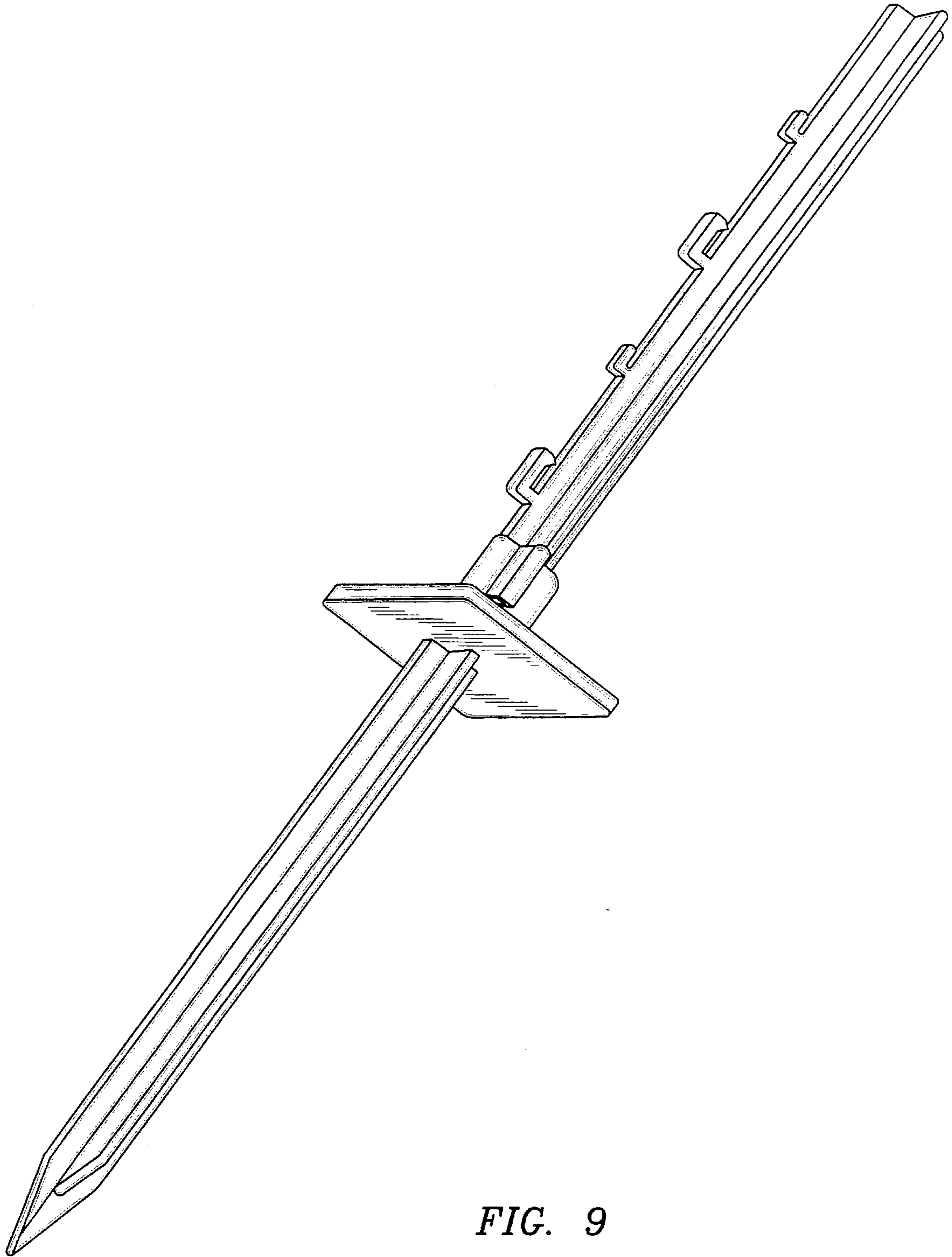


FIG. 9