



US00D364781S

United States Patent [19]

[11] Patent Number: **Des. 364,781**

Fenton et al.

[45] Date of Patent: ****Dec. 5, 1995**

[54] BEVERAGE HOLDER

[75] Inventors: **Timothy J. Fenton**, Wooster; **Michael Painter**, Columbus, both of Ohio

[73] Assignee: **Rubbermaid Specialty Products Inc.**, Wooster, Ohio

[**] Term: **14 Years**

[21] Appl. No.: **28,764**

[22] Filed: **Sep. 22, 1994**

[52] U.S. Cl. **D7/624**; D7/608

[58] Field of Search D7/605-608, 624, D7/510-511; 62/457.1, 457.3, 457.4, 457.5, 457.8; 248/346.1; 220/737, 739, 903; 215/386, 392, 393, 395

[56] References Cited

U.S. PATENT DOCUMENTS

D. 115,833	7/1939	Kruck .	
D. 174,793	5/1955	Bliss .	
D. 272,889	3/1984	Walton	D9/370
D. 321,457	11/1991	Kahl	D7/608
D. 325,687	4/1992	Embree	D7/510
D. 325,848	5/1992	Embree	D7/510
D. 326,586	6/1992	Embree	D7/510
D. 332,894	2/1992	Green	D7/511
D. 345,105	3/1994	Ramsey	D9/551
D. 347,763	6/1994	Kleckauskas et al.	D7/533
2,028,566	1/1936	Seipel et al.	220/737 X
4,548,349	10/1985	Tunberg	220/737 X
4,882,914	11/1989	Haines-Keeley et al.	62/457.4
5,048,307	9/1991	Baxter	D7/608 X

OTHER PUBLICATIONS

Catalog page, Insulated beverage holders; Igloo Corporation, P. O. Box 19322, 1001 West Belt Drive, Houston, Tex. 77224-9322. Published at least as early as Jul., 1989.

P. 55, Insulated can holders; The Coleman Company, Inc., 250 North St. Francis, Wichita, Ks. 67202, Publication date 1993.

Pp. 2 and 7, Bottles, Rubbermaid Specialty Products Inc., 1147 Akron Road, Wooster, Ohio 44691. Publication date 1991.

Primary Examiner—Terry A. Wallace

Attorney, Agent, or Firm—Richard B. O'Planick; Lisa B. Riedesel

[57] CLAIM

The ornamental design for a beverage holder, as shown and described.

DESCRIPTION

FIG. 1 is a top right front perspective view of a beverage holder showing our new design. The broken lines are for illustrative purposes only and form no part of the claimed design;

FIG. 2 is a left side elevational view thereof; the right side elevational view being a mirror image;

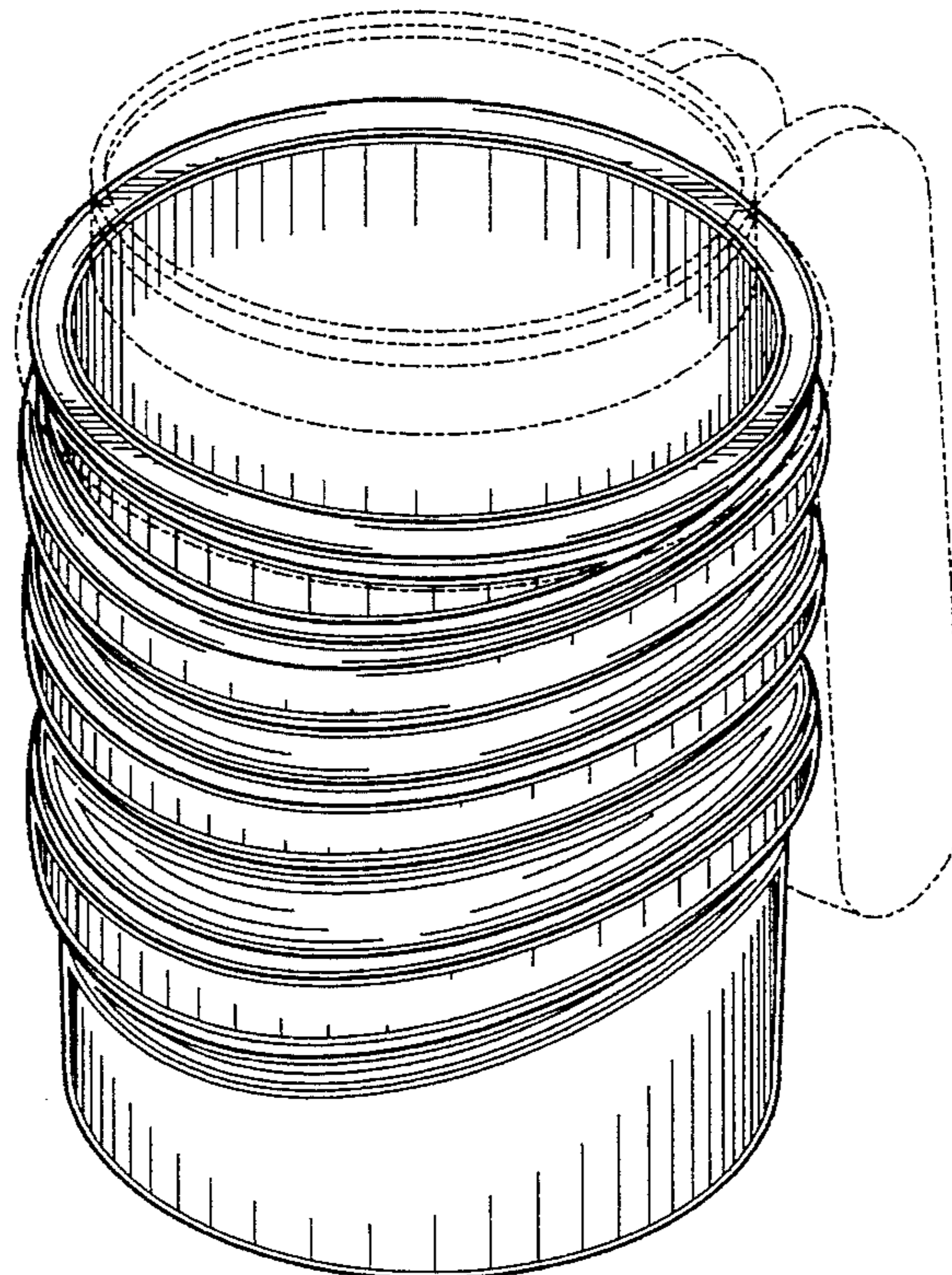
FIG. 3 is a bottom plan view thereof;

FIG. 4 is a rear elevational view thereof;

FIG. 5 is a top plan view thereof; and,

FIG. 6 is a front elevational view thereof.

1 Claim, 4 Drawing Sheets



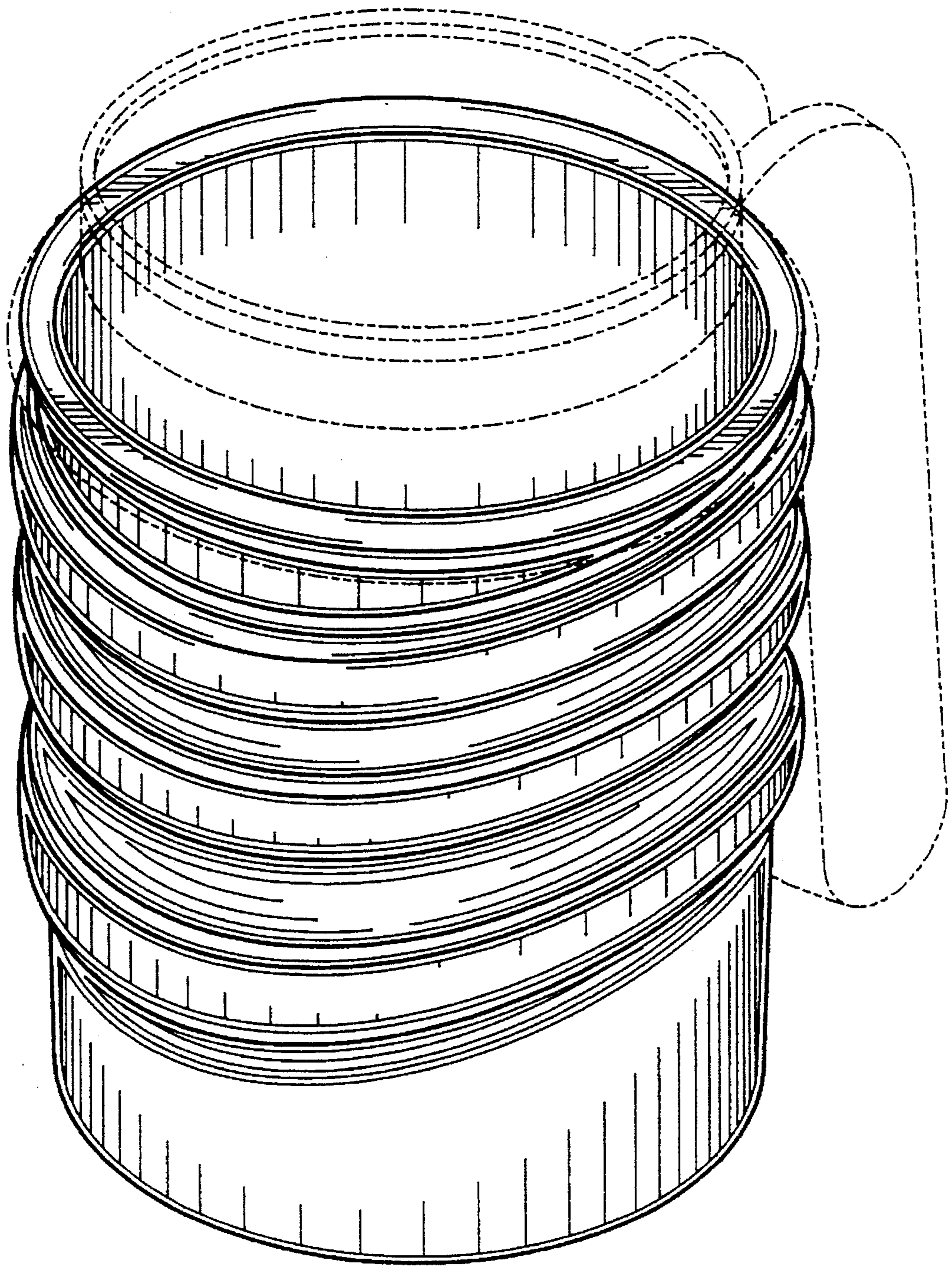


FIG. 1

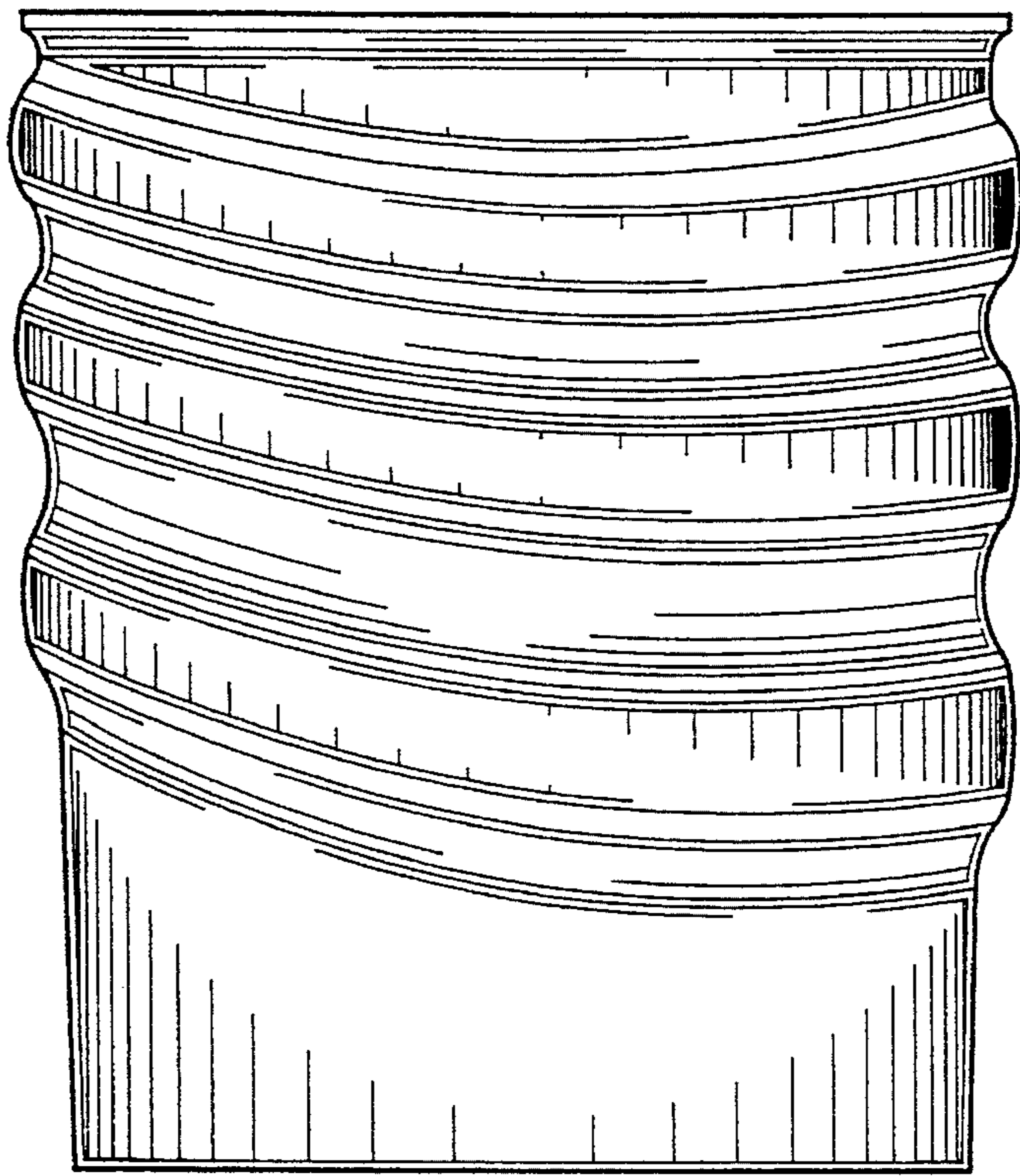


FIG. 2

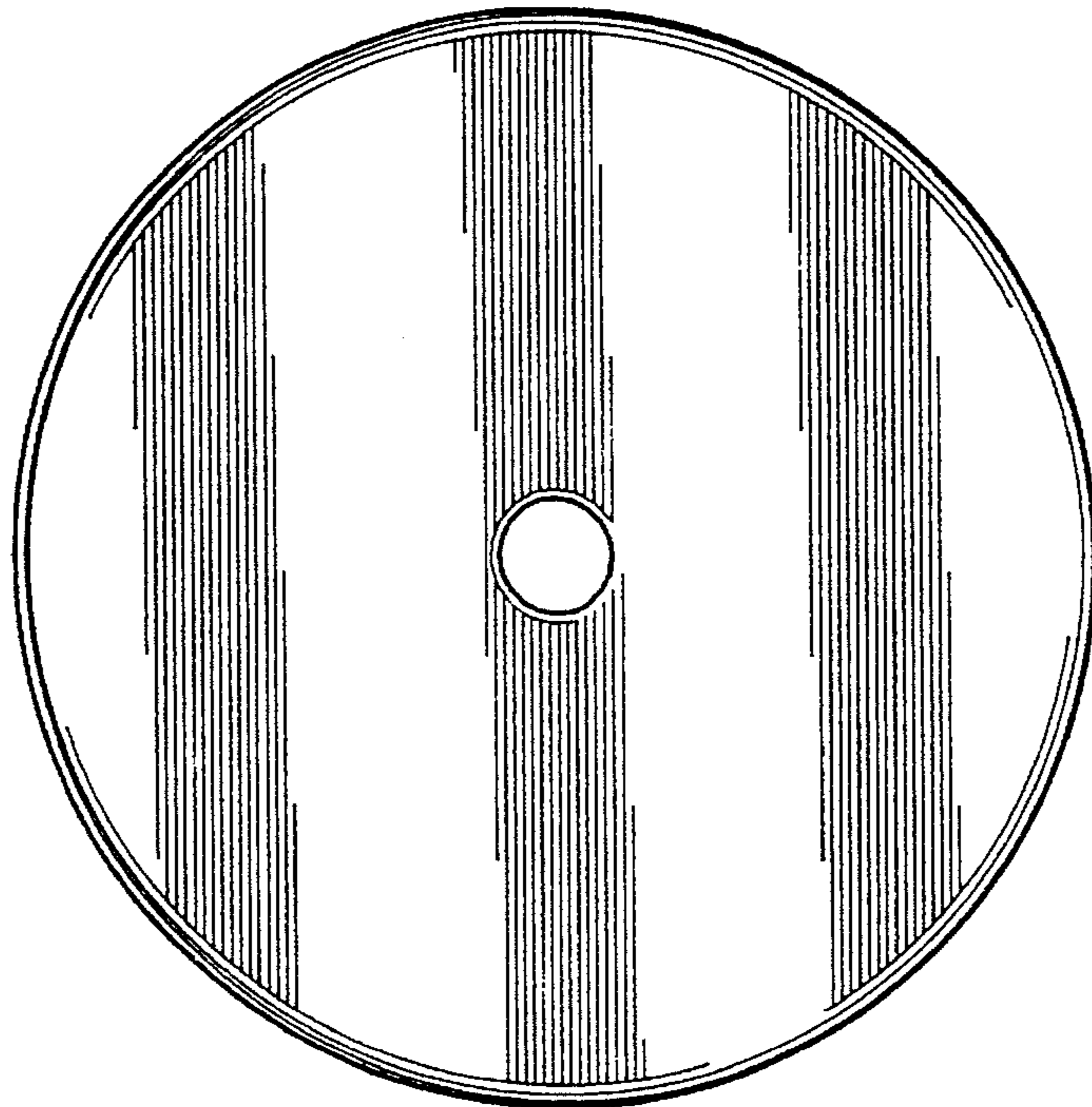


FIG. 3

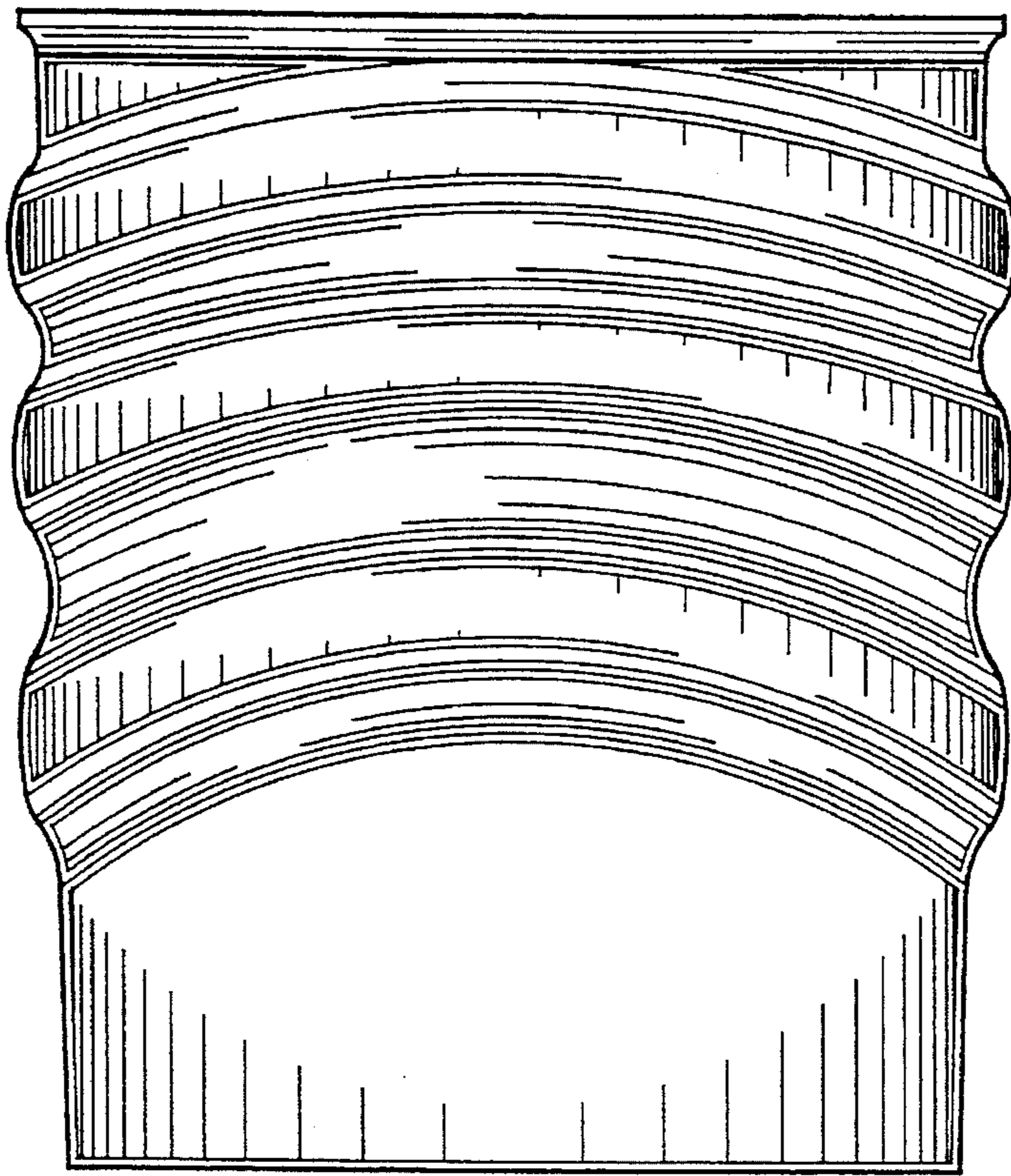


FIG. 4

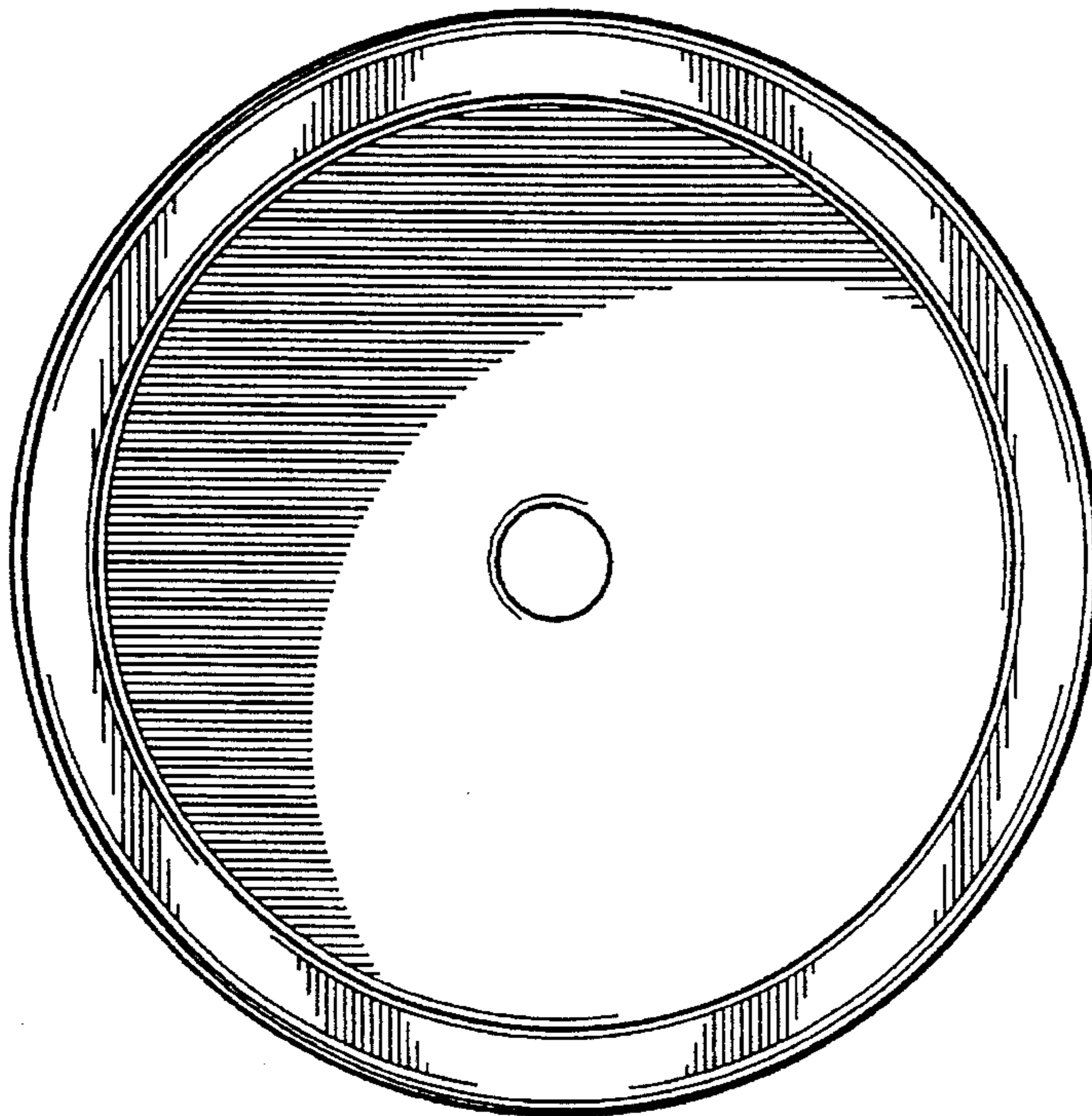


FIG. 5

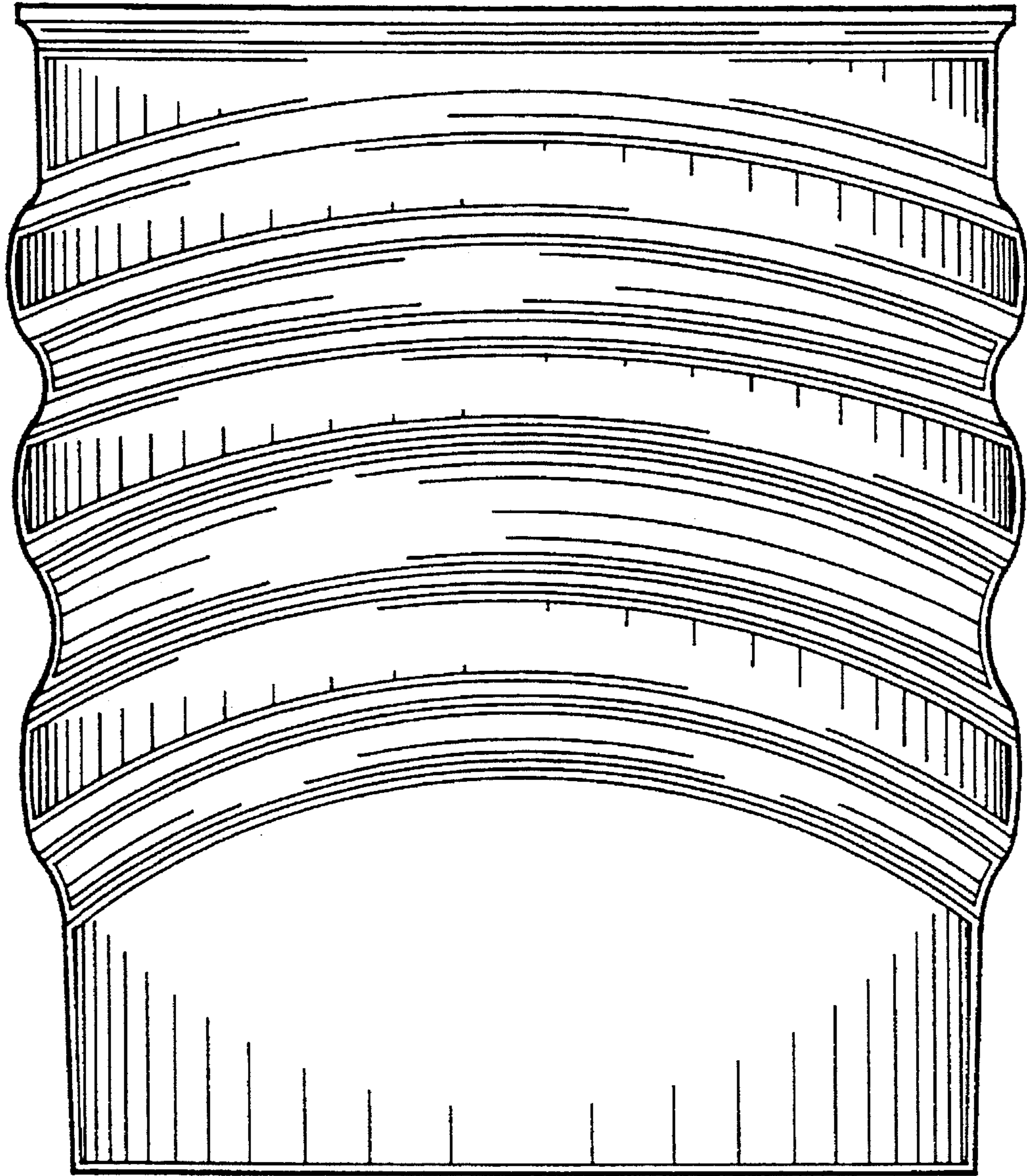


FIG. 6