



US00D364780S

United States Patent [19] Henderson

[11] **Patent Number: Des. 364,780**
[45] **Date of Patent: **Dec. 5, 1995**

[54] **GRANULAR MATERIAL DISPENSER**

4,448,331 5/1984 Millette et al. 222/363 X
4,569,463 2/1986 Pellegrino D7/589 X

[75] Inventor: **Larry E. Henderson**, Rutherfordton, N.C.

Primary Examiner—Terry A. Wallace
Attorney, Agent, or Firm—Dority & Manning

[73] Assignee: **Micro Measure, Inc.**, Forest City, N.C.

[57] **CLAIM**

[**] Term: **14 Years**

The ornamental design for granular material dispenser, as shown and described.

[21] Appl. No.: **23,471**

DESCRIPTION

[22] Filed: **May 25, 1994**

[52] U.S. Cl. **D7/589**

[58] Field of Search D7/589, 300, 306;
222/306-308, 363, 185

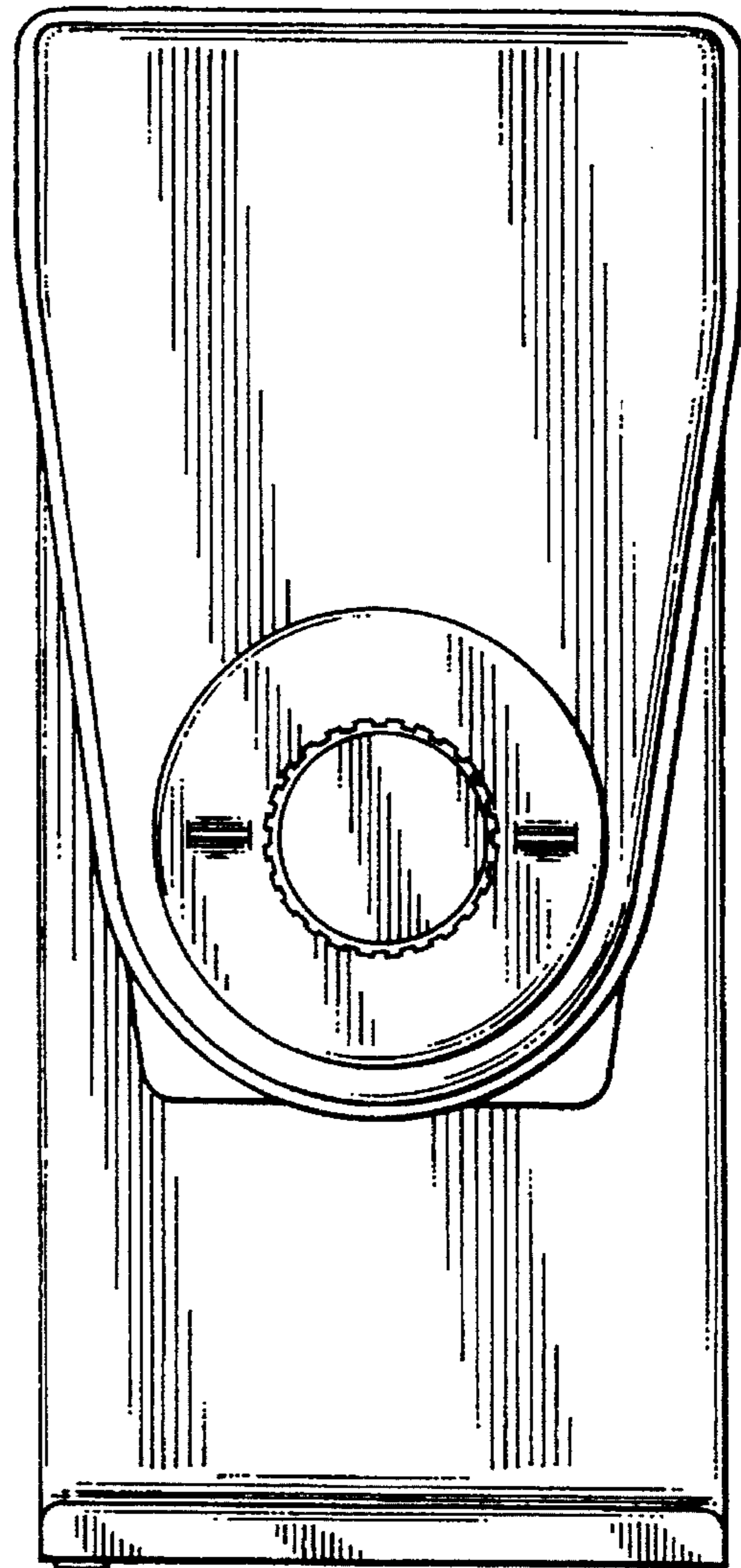
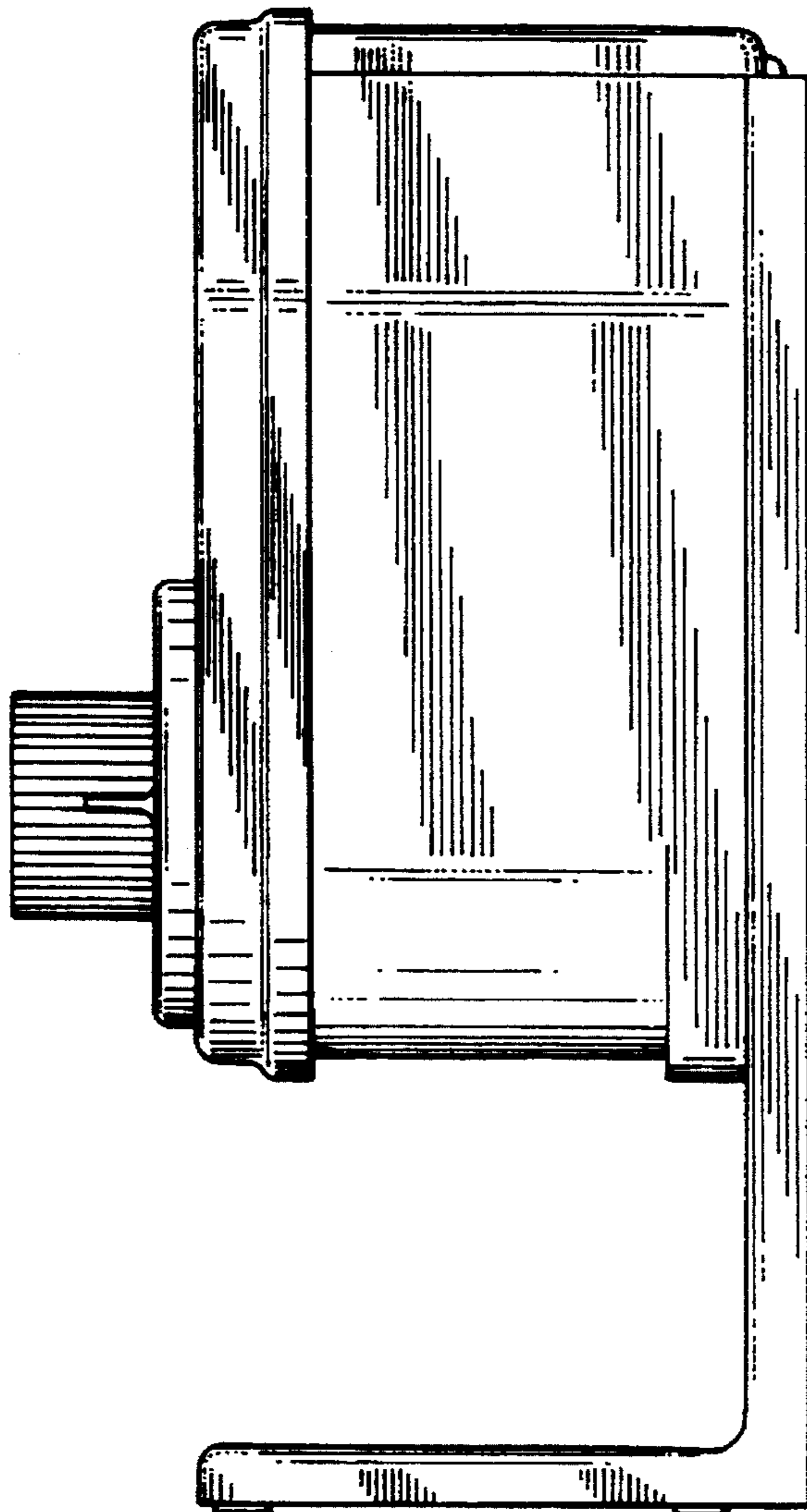
FIG. 1 is a top plan view of a granular material dispenser showing my new design;
FIG. 2 is a right side elevation view thereof, the opposite side being a mirror image;
FIG. 3 is a front elevation view thereof;
FIG. 4 is a rear elevation view thereof; and,
FIG. 5 is a bottom plan view thereof.

[56] **References Cited**

U.S. PATENT DOCUMENTS

1,950,160 3/1934 Blank D7/589 X
3,204,833 9/1965 Weitzner 222/363 X

1 Claim, 2 Drawing Sheets



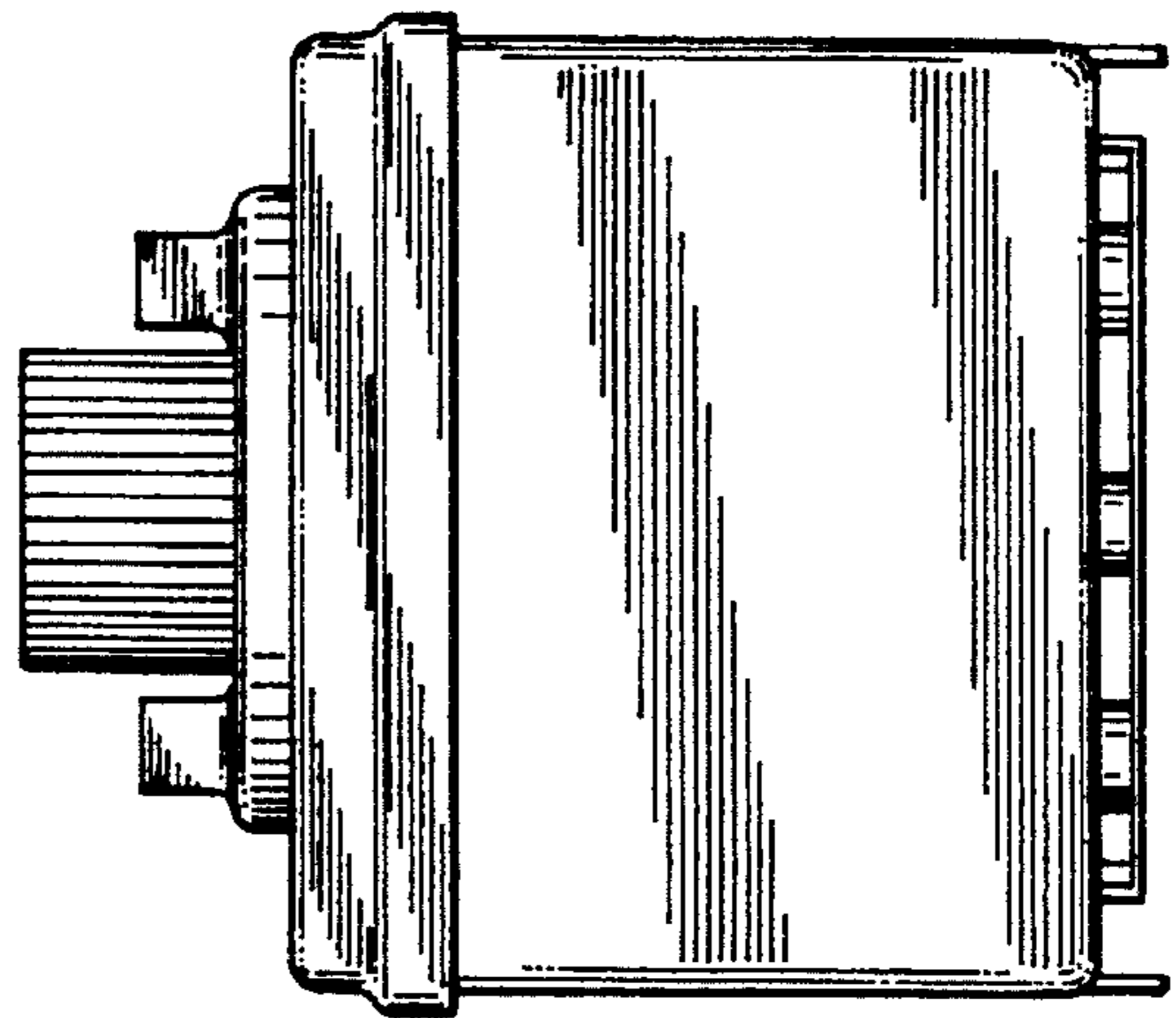


Fig. 1

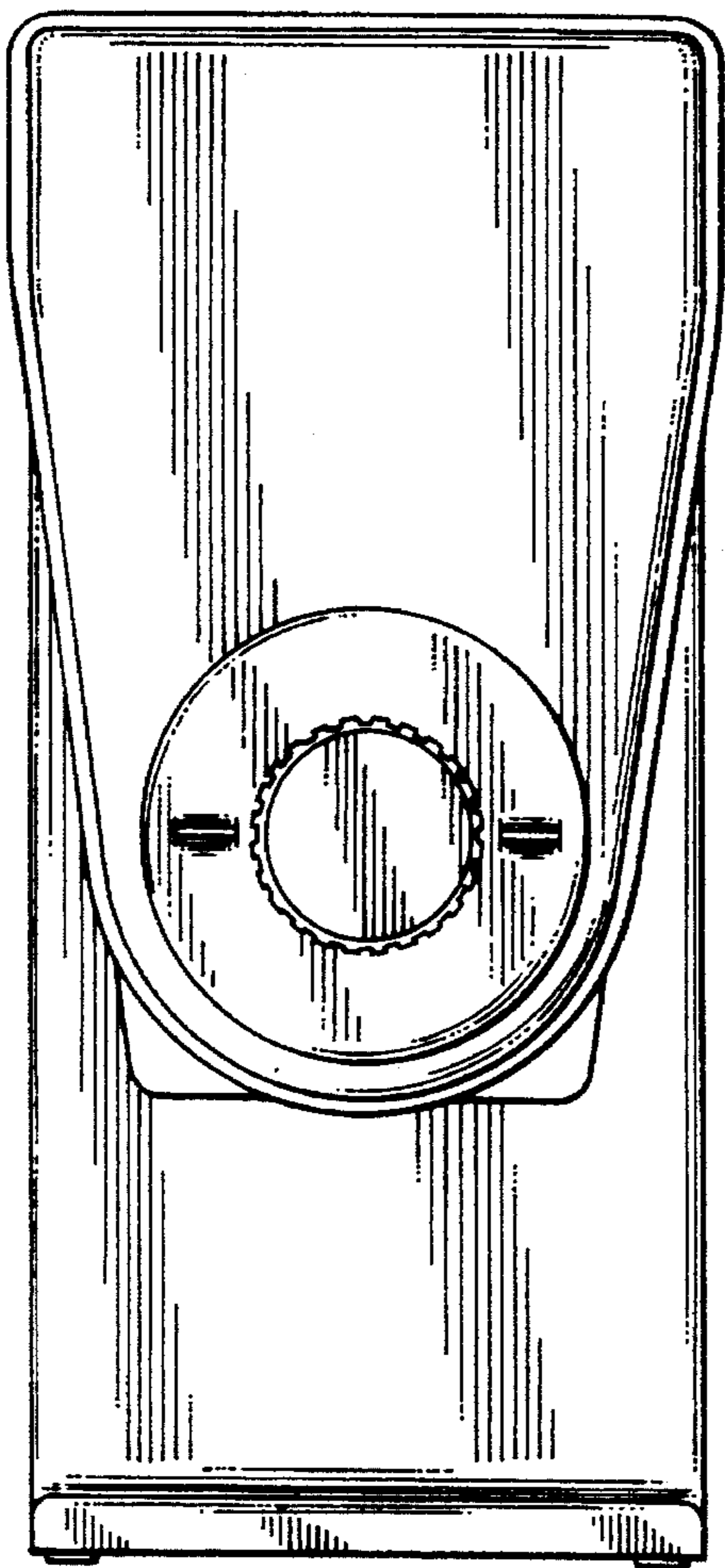


Fig. 3

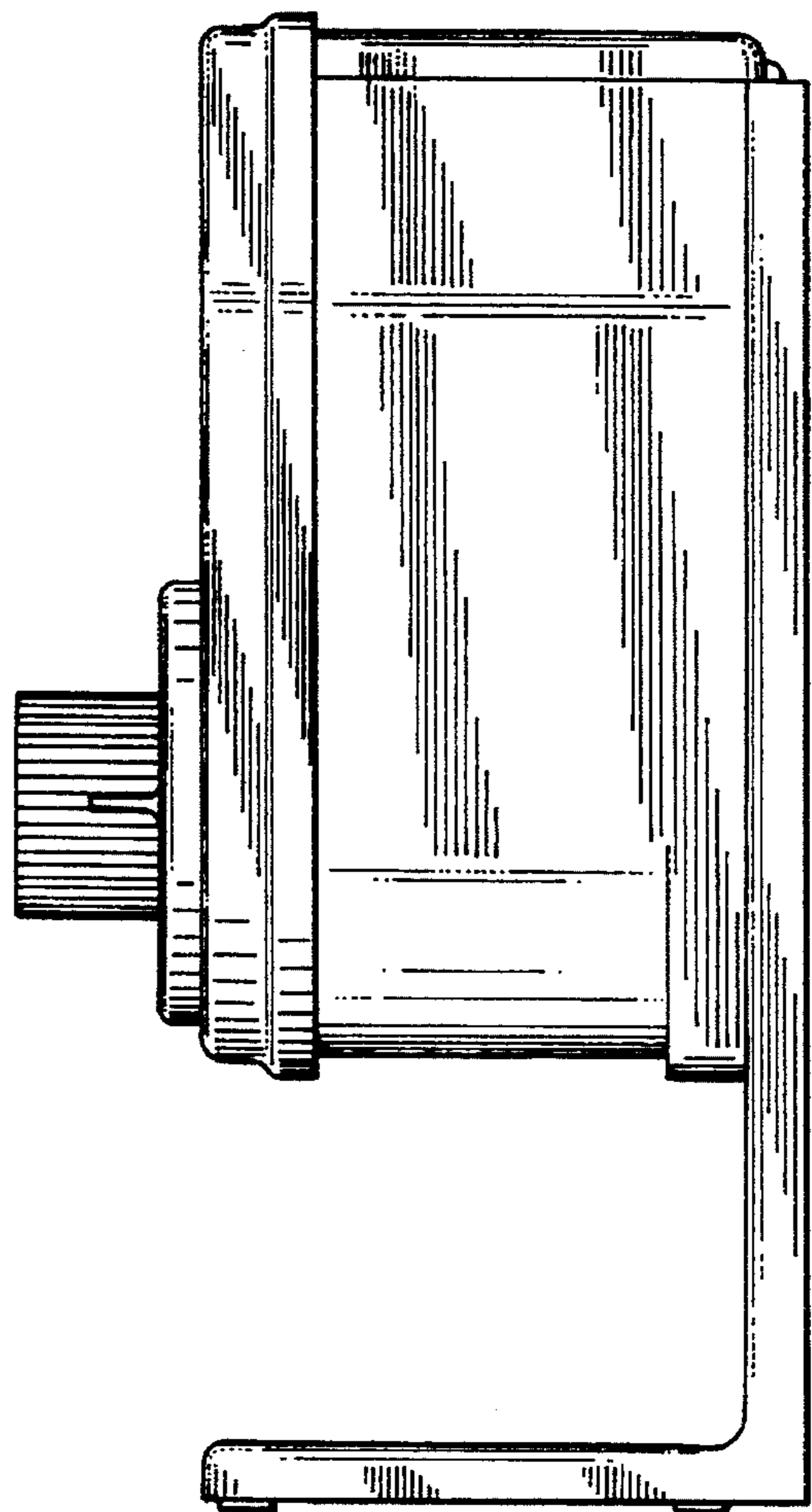


Fig. 2

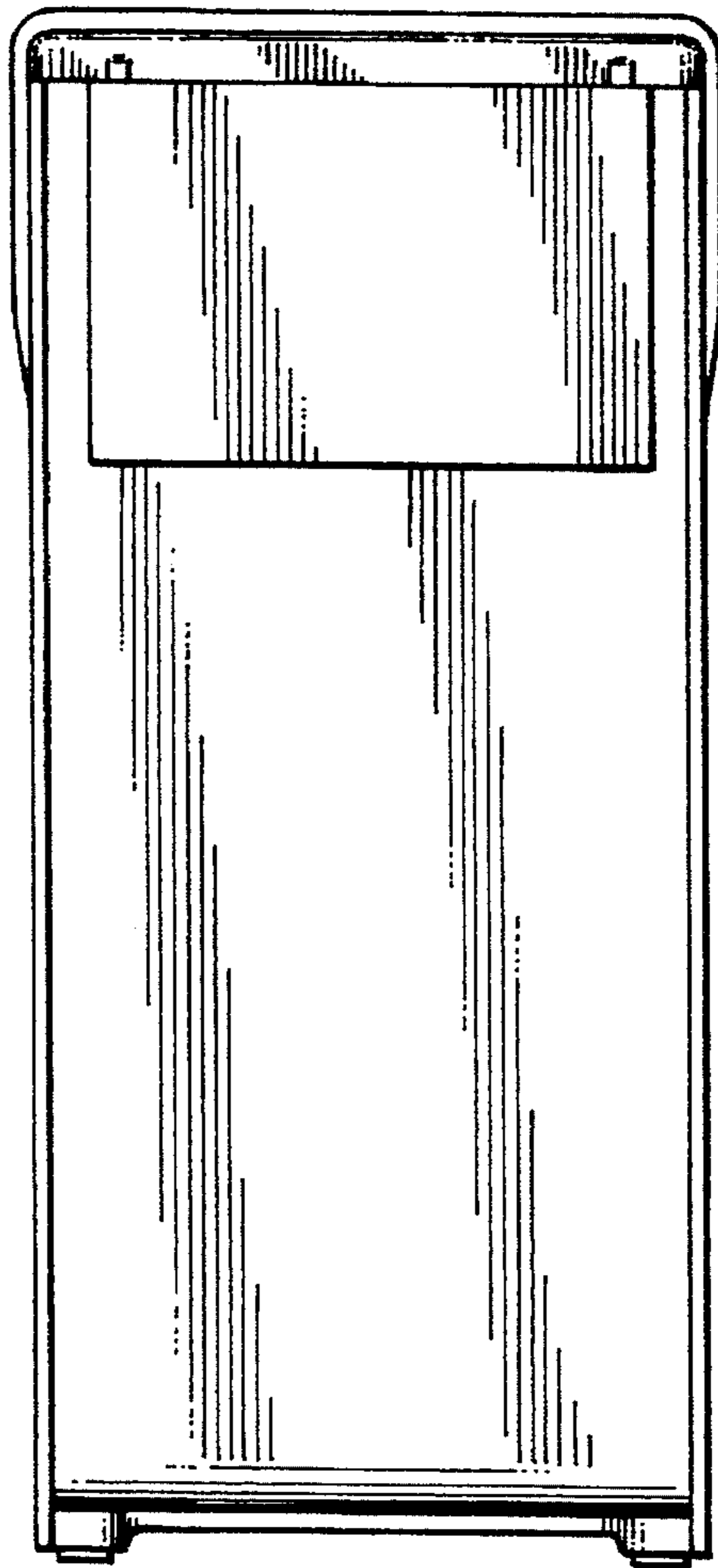


Fig. 4

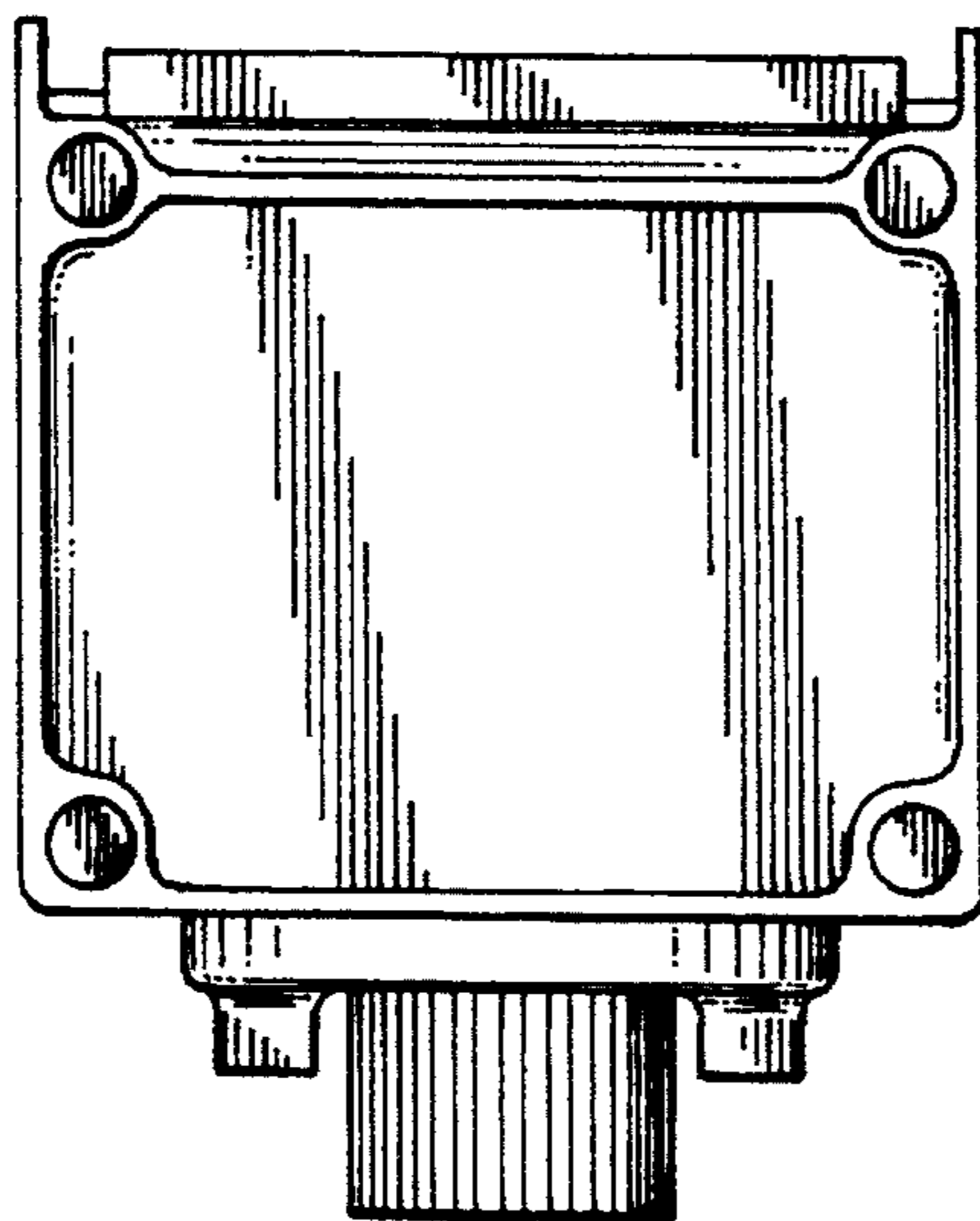


Fig. 5