



US00D364779S

# United States Patent [19]

Markarian

[11] Patent Number: **Des. 364,779**

[45] Date of Patent: **\*\*Dec. 5, 1995**

[54] **DISH WITH LID**

[75] Inventor: **Jean Markarian**, Santa Rosa, Calif.

[73] Assignee: **Boston Warehouse Trading Corporation**, Norwood, Mass.

[\*\*] Term: **14 Years**

[21] Appl. No.: **641,671**

[22] Filed: **Jan. 14, 1991**

[52] U.S. Cl. .... **D7/538**; D7/539

[58] Field of Search ..... D7/502, 392.1, D7/538, 540, 391, 409; 220/367, 574, 912, 377, 287, 352; 215/11.1; 99/285; 222/78

[56] **References Cited**

**U.S. PATENT DOCUMENTS**

D. 85,836	12/1931	Merriman	.....	D7/538
D. 229,881	1/1974	Gillespie	.....	D7/540 X
D. 240,883	8/1976	Press	.....	D7/540
D. 246,088	10/1977	Tegner	.....	D7/392.1 X
D. 286,488	11/1986	Brorze	.....	D7/542
D. 288,767	3/1987	Minutti	.....	D7/542
1,858,247	5/1929	Milliron et al.	.....	D7/502 X

**OTHER PUBLICATIONS**

The Lancaster Glass Company, Butter Dish, 1925.  
Buyers Catalogue Guide Dinner and Tea Sets 1927 Butter Dish.

Queens Act Pewter 1940 Butter Dish.  
French Faïnce by Arthur Lane, 1948.  
Villeroy and Boch 1985 Covered Butter Dish.  
Best Catalog 1986 Pomerantz Tea & Cheese Tray.

*Primary Examiner*—Alan P. Douglas  
*Assistant Examiner*—M. N. Pandozzi

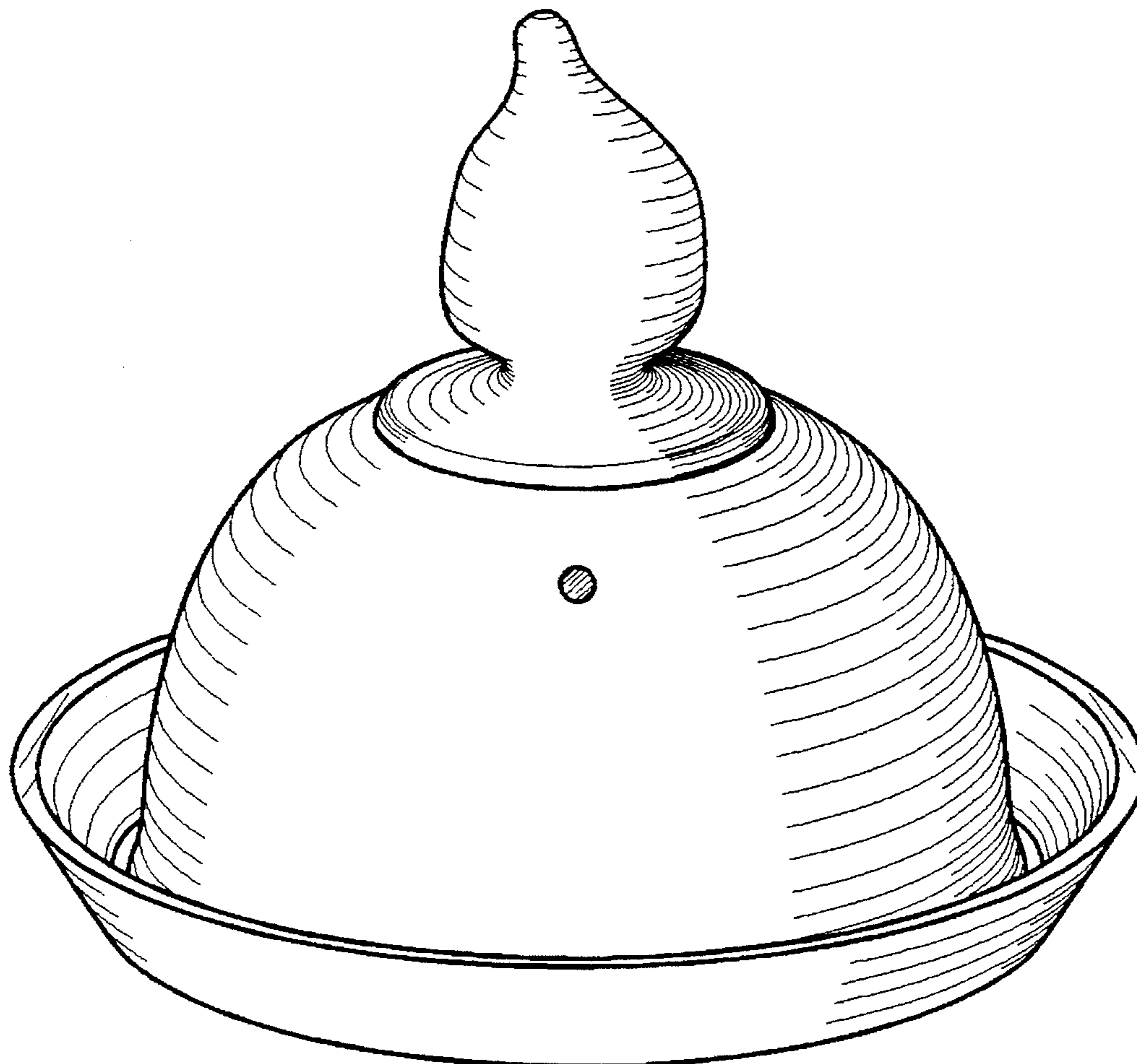
[57] **CLAIM**

The ornamental design for a dish with lid, as shown.

**DESCRIPTION**

FIG. 1 is a front perspective view;  
FIG. 2 is a front perspective exploded view;  
FIG. 3 is a front view;  
FIG. 4 is a rear view;  
FIG. 5 is a right side view;  
FIG. 6 is a left side view;  
FIG. 7 is a top view; and,  
FIG. 8 is a bottom view.

**1 Claim, 4 Drawing Sheets**



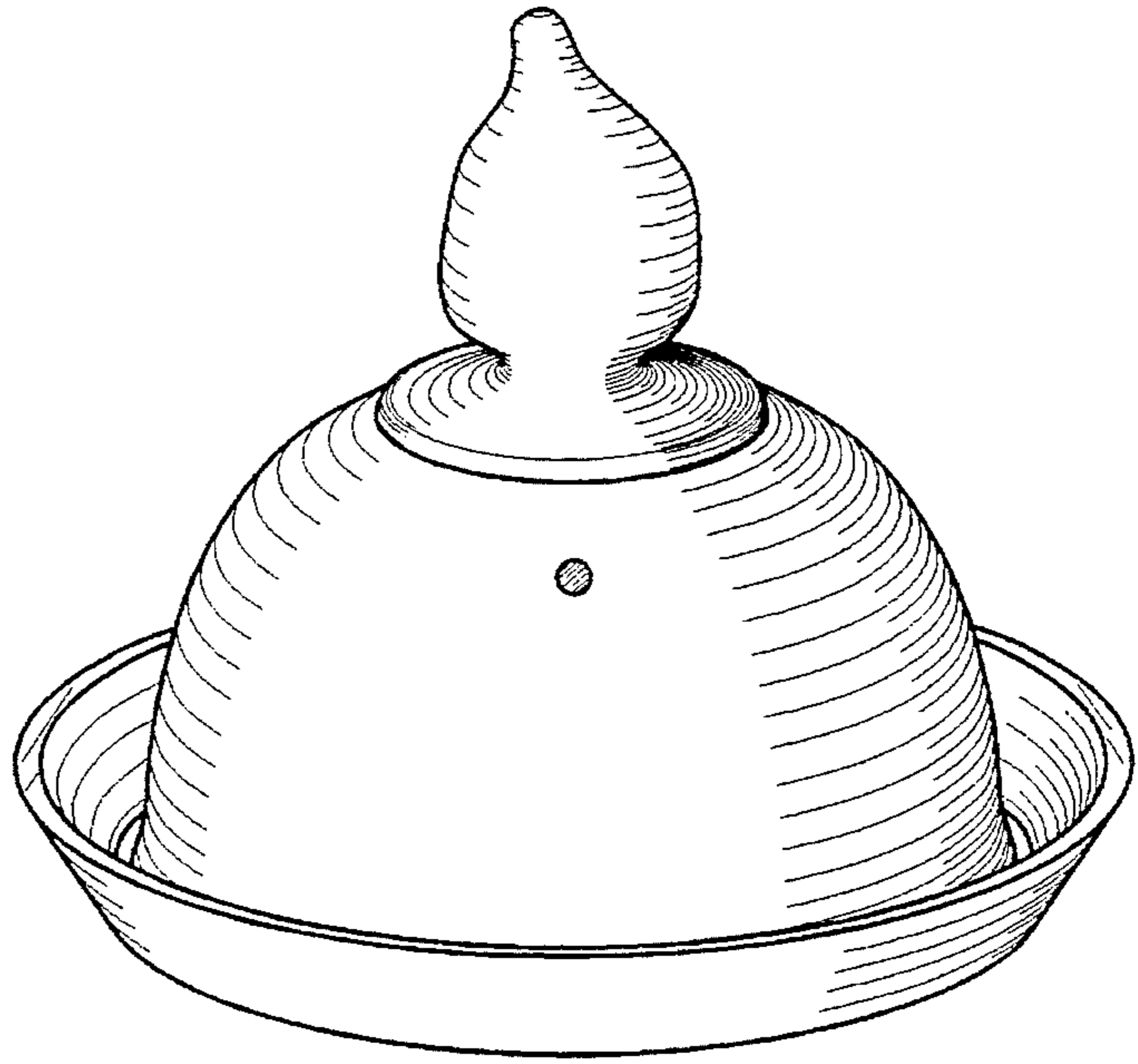


Fig. 1

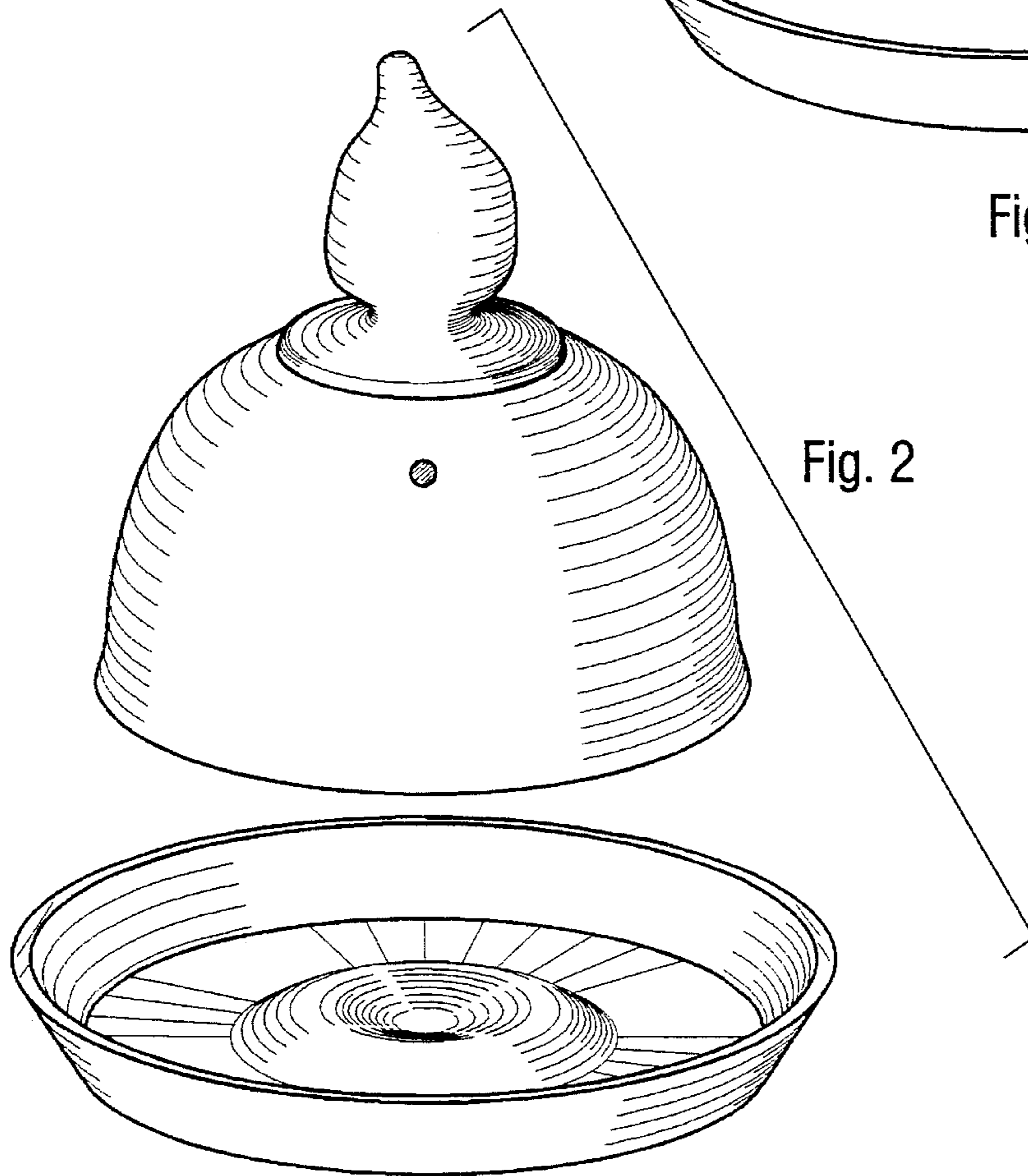


Fig. 2

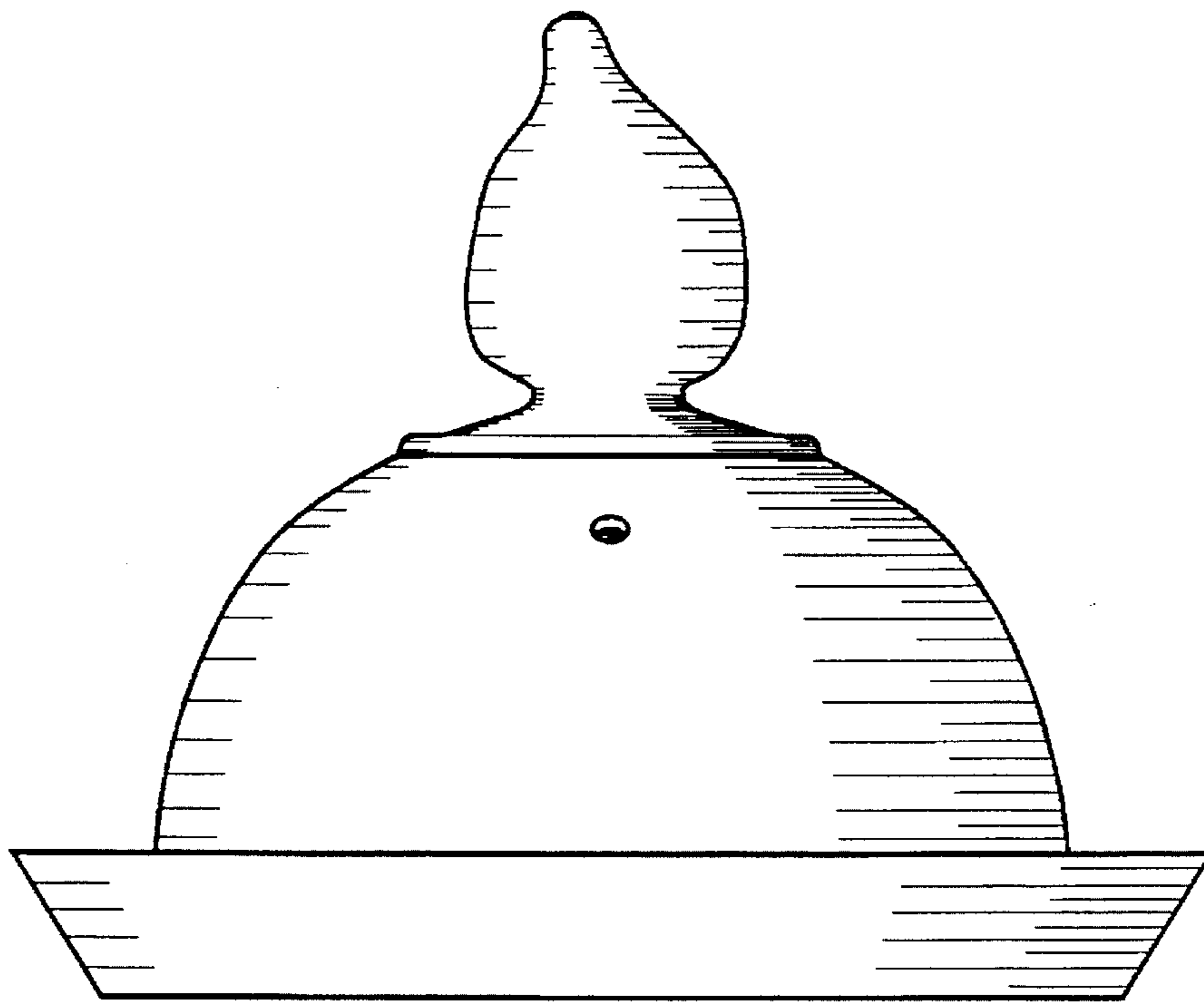


Fig. 3

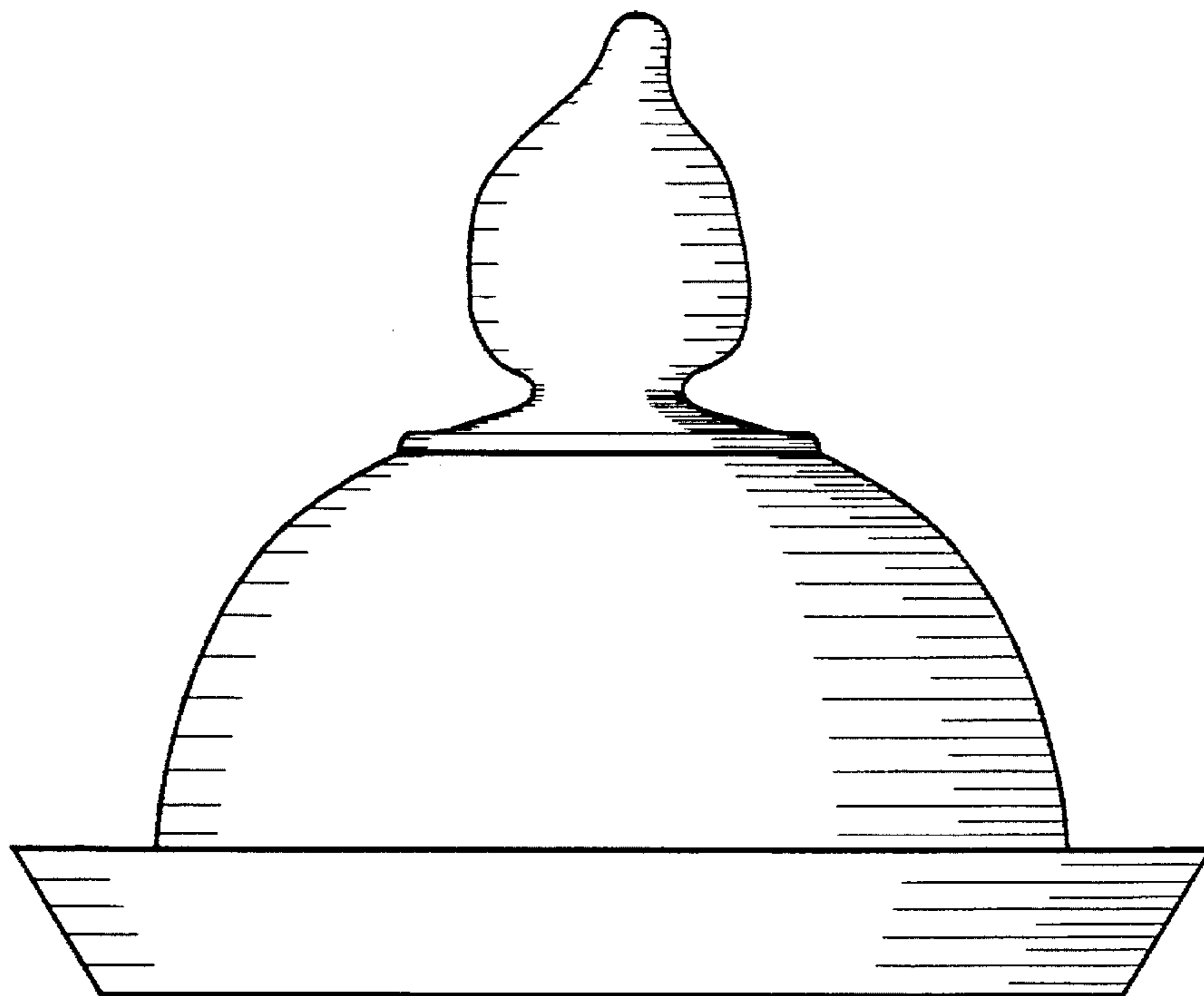


Fig. 4

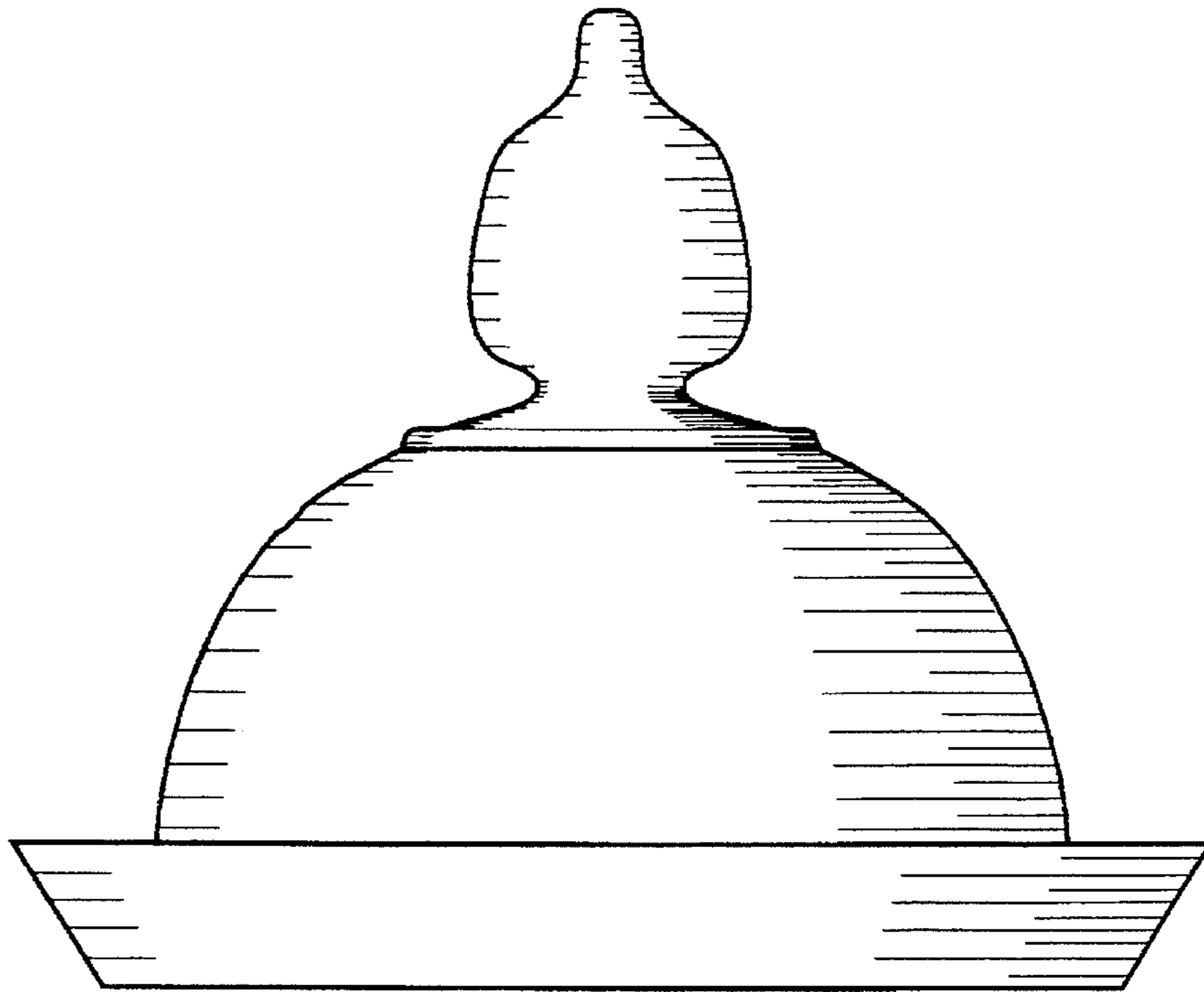


Fig. 5

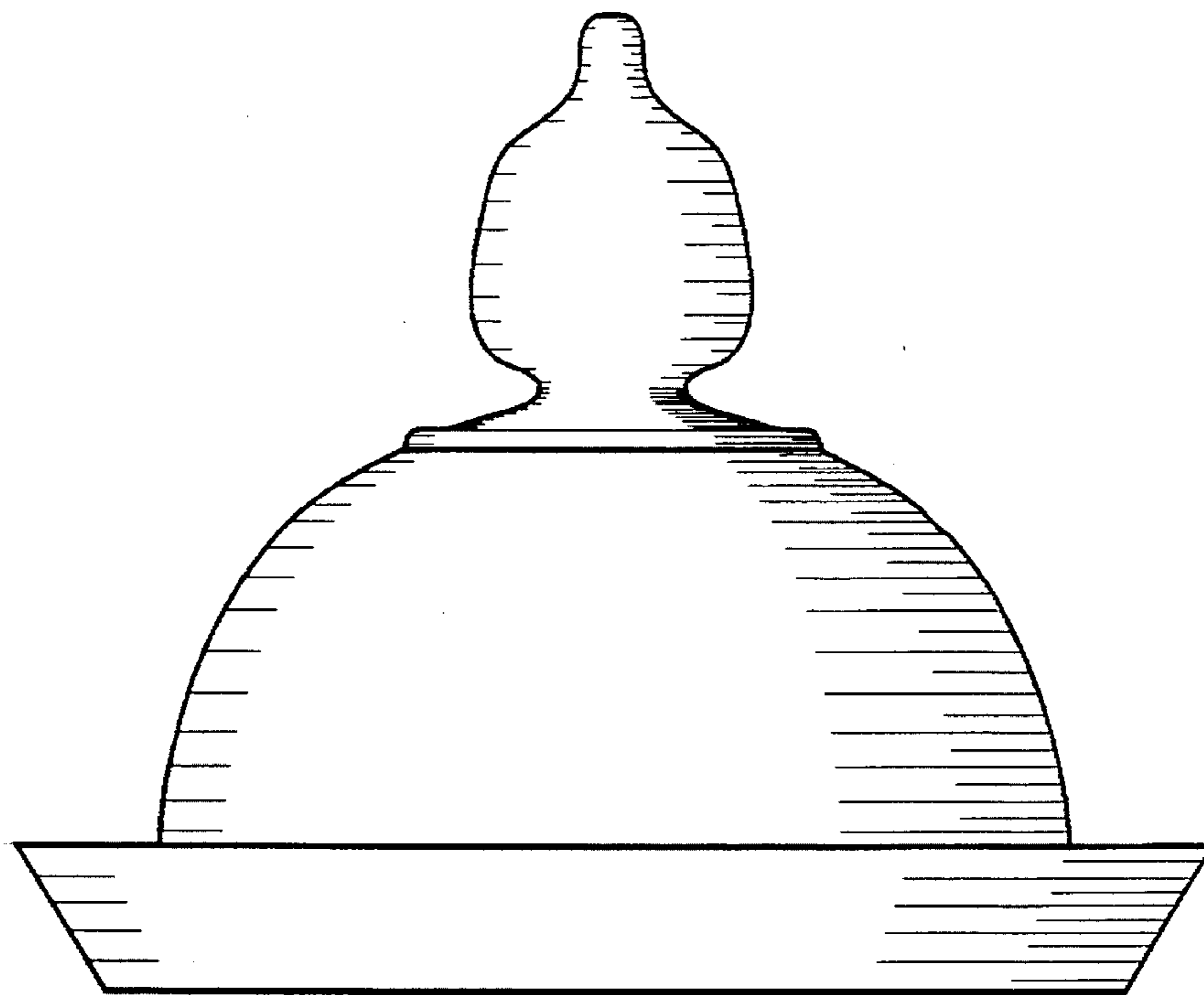


Fig. 6



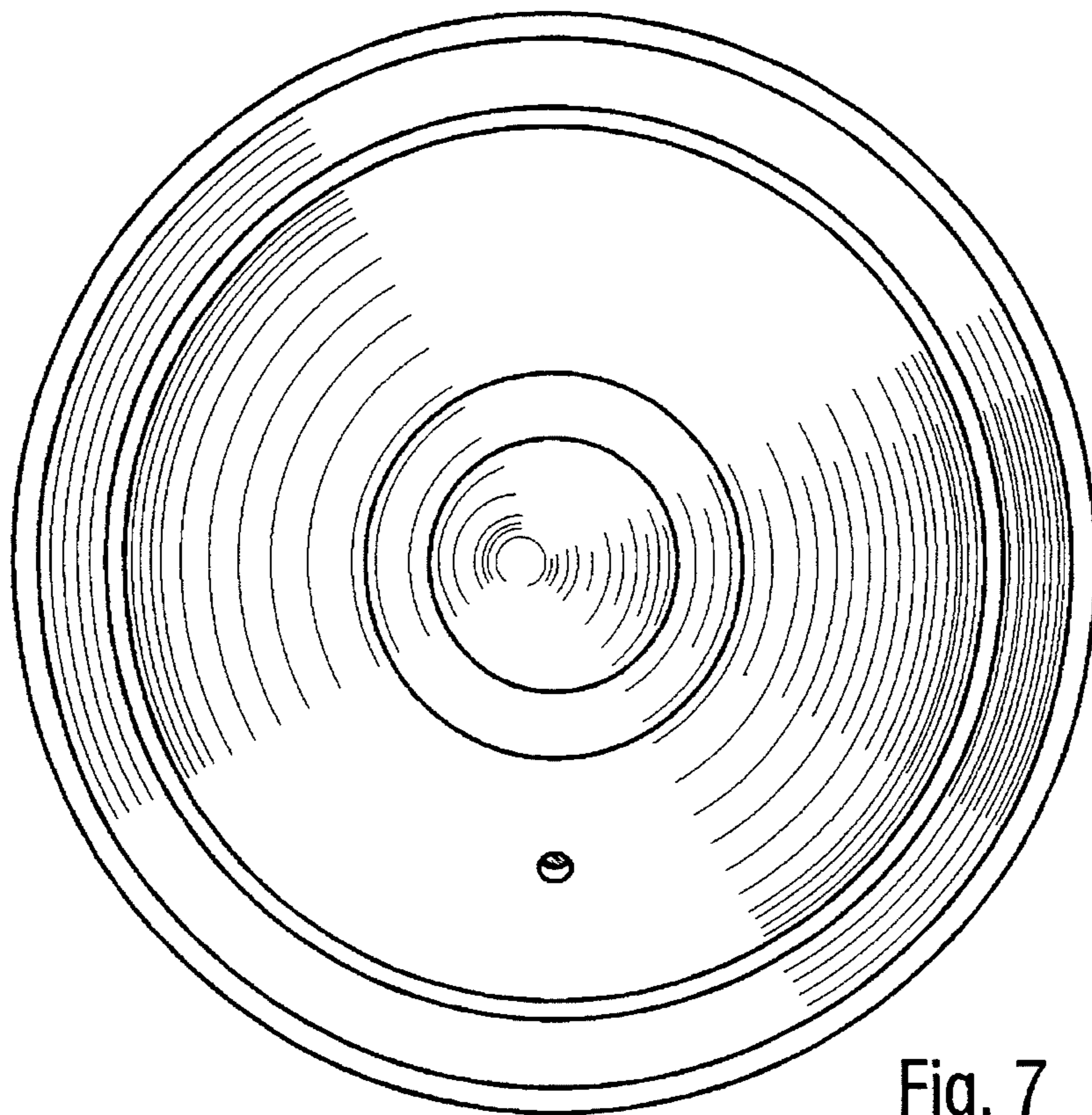


Fig. 7

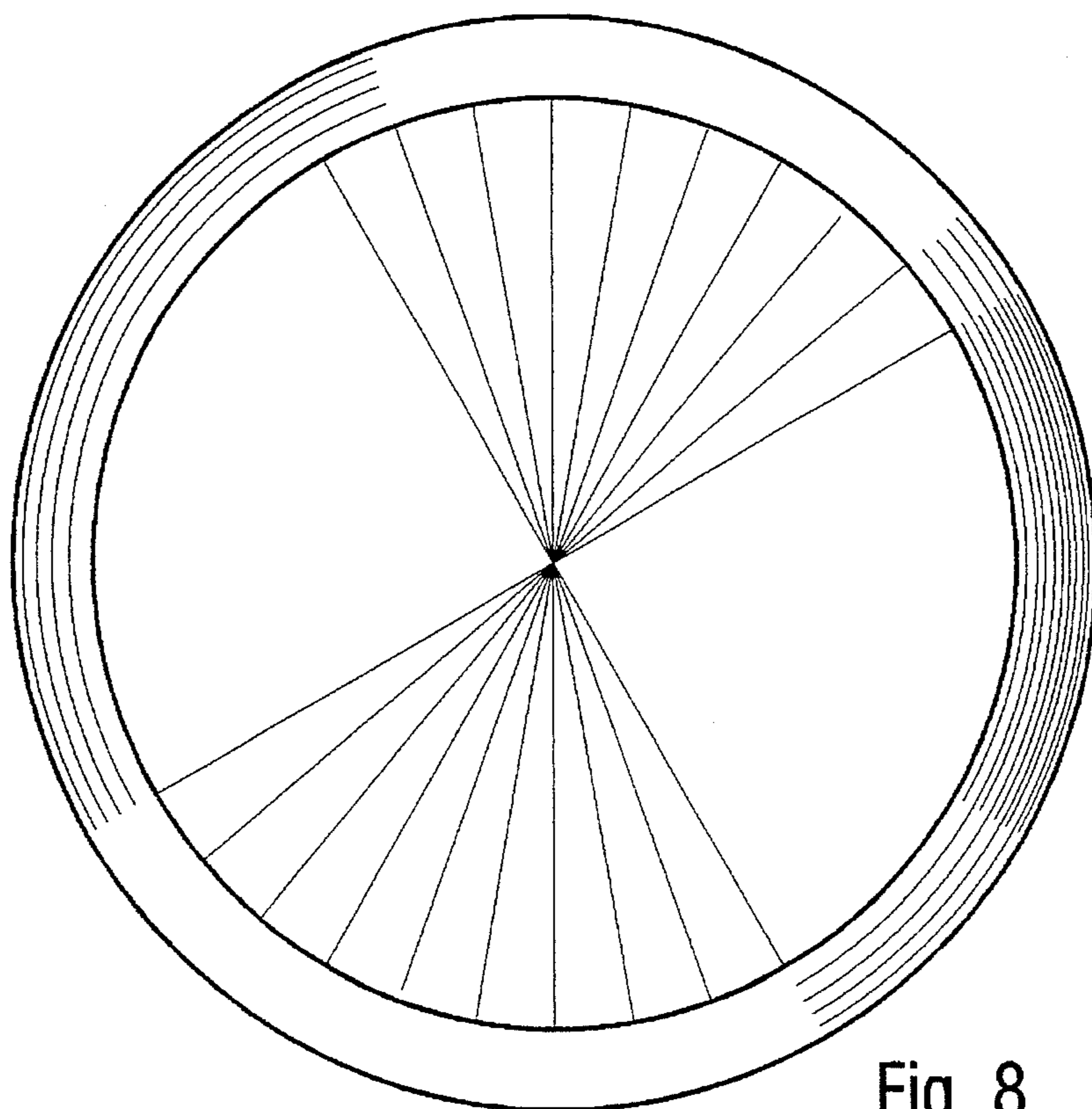


Fig. 8