



US00D364777S

# United States Patent [19]

[11] Patent Number: Des. 364,777

Schlosser et al.

[45] Date of Patent: \*\*Dec. 5, 1995

## [54] COOKING GRATE ASSEMBLY FOR BARBECUE GRILLS

[75] Inventors: **Erich J. Schlosser**, Barrington; **James C. Stephen**, Arlington Heights, both of Ill.

[73] Assignee: **Weber-Stephen Products Co.**, Palatine, Ill.

[\*\*] Term: **14 Years**

[21] Appl. No.: **27,081**

[22] Filed: **Aug. 12, 1994**

[52] U.S. Cl. .... **D7/409**; D7/402

[58] Field of Search ..... D7/409, 548; 99/425, 99/450; 126/9 A, 25 R, 29, 30, 337 R, 339

### [56] References Cited

#### U.S. PATENT DOCUMENTS

D. 346,531	5/1994	Stephen et al. ....	D7/409
1,998,944	4/1935	Spake .....	99/425
3,330,204	7/1967	Little .....	99/425 X
3,450,025	6/1969	Fleming .....	126/337 X
3,511,222	5/1970	Miller .....	126/30 X
3,800,777	4/1974	Gebien .....	126/25 R
4,281,633	8/1981	Wackerman .....	126/25 R X
4,530,343	7/1985	Beck .....	126/25 R X
4,569,279	2/1986	Avner .....	99/450
4,969,449	11/1990	Levin .....	126/25 R X
5,009,151	4/1991	Hungerford .....	99/425 X

#### OTHER PUBLICATIONS

Copies of photographs of cooking grates labeled A, B, C, D, and E made by Weber-Stephen Products Co. Known to applicants at least just prior to patent application filing date

of Feb. 11, 1994.

Copies of photographs of cooking grates labeled F and G manufactured for William Sonoma. Known to applicants at least just prior to patent application filing date of Feb. 11, 1994.

*Primary Examiner*—Alan P. Douglas  
*Assistant Examiner*—Caron D. Veynar  
*Attorney, Agent, or Firm*—Wallenstein & Wagner, Ltd.

### [57] CLAIM

The ornamental design for a cooking grate assembly for barbecue grills, as shown and described.

### DESCRIPTION

FIG. 1 is a perspective top view of a cooking grate assembly for barbecue grills showing our new design;

FIG. 2 is a top plan view thereof;

FIG. 3 is a bottom plan view thereof;

FIG. 4 is a front elevational view, the rear elevational view being a mirror image thereof;

FIG. 5 is a right side elevational view, the left side elevational view being a mirror image thereof;

FIG. 6 is a top perspective view of a second embodiment of the cooking grate assembly for barbecue grills showing our new design;

FIG. 7 is a top plan view thereof;

FIG. 8 is a bottom plan view thereof;

FIG. 9 is a front elevational view, the rear elevational view being a mirror image thereof; and,

FIG. 10 is a right side elevational view, the left side elevational view being a mirror image thereof.

1 Claim, 4 Drawing Sheets

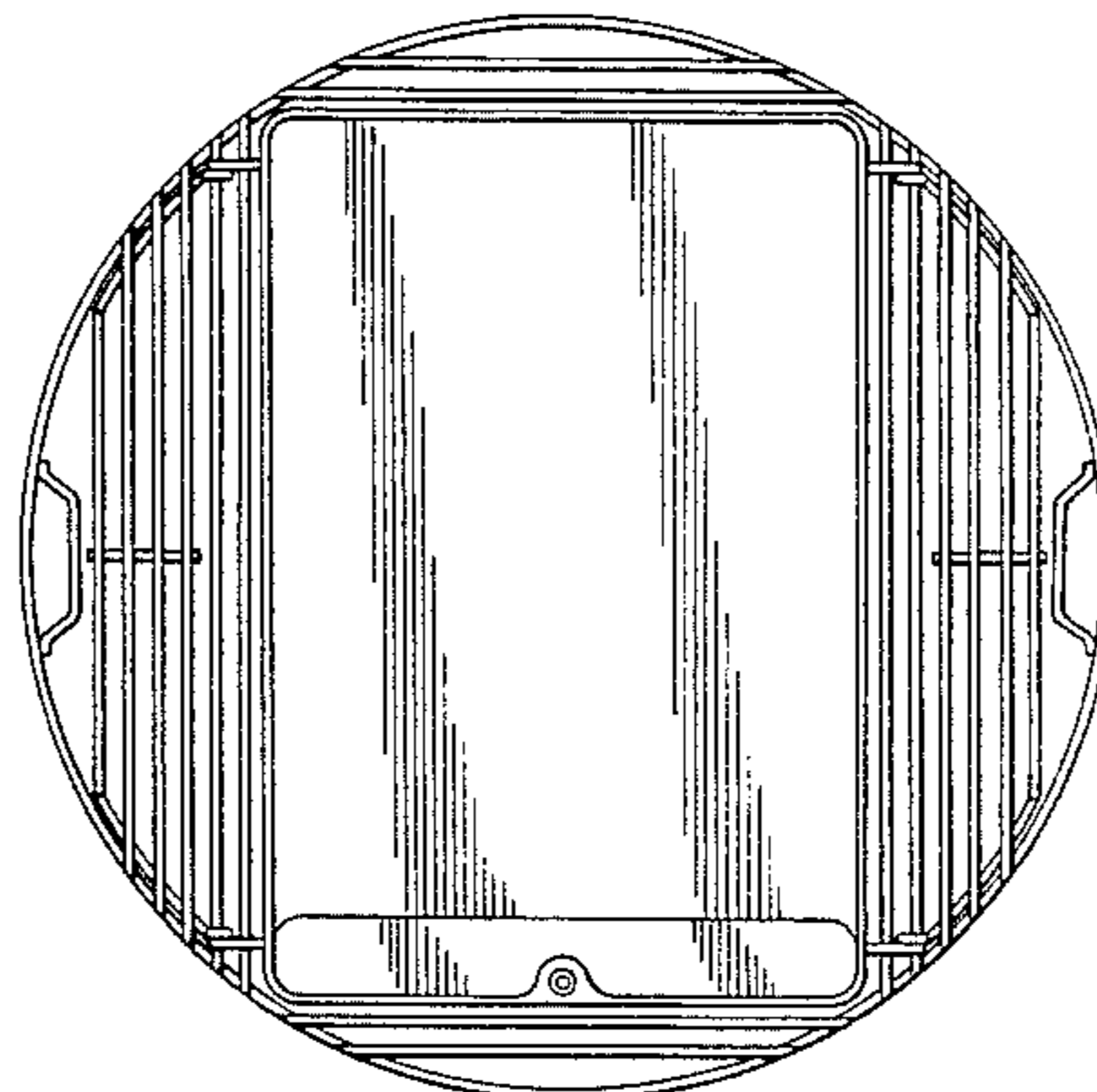
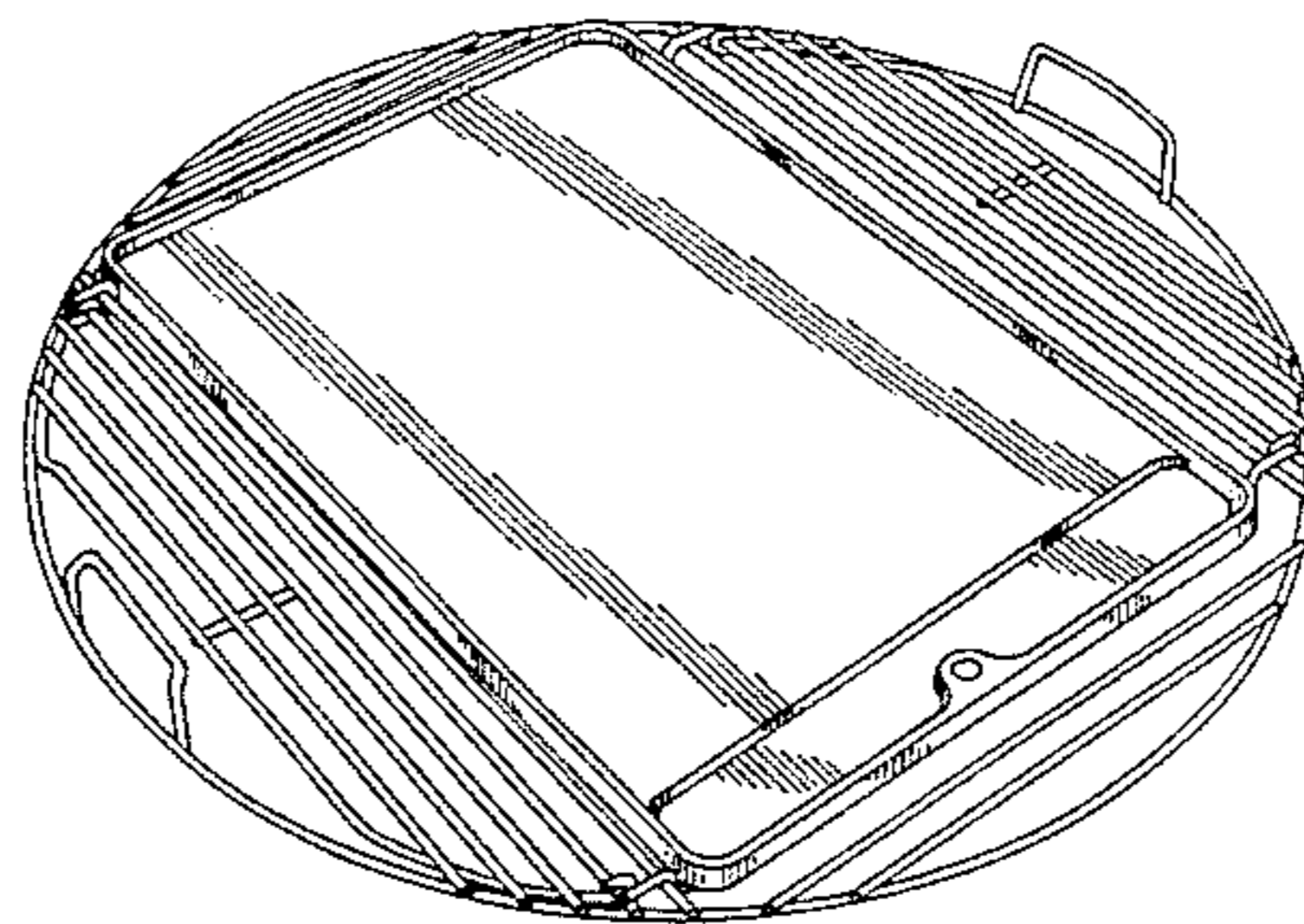


FIG. 1

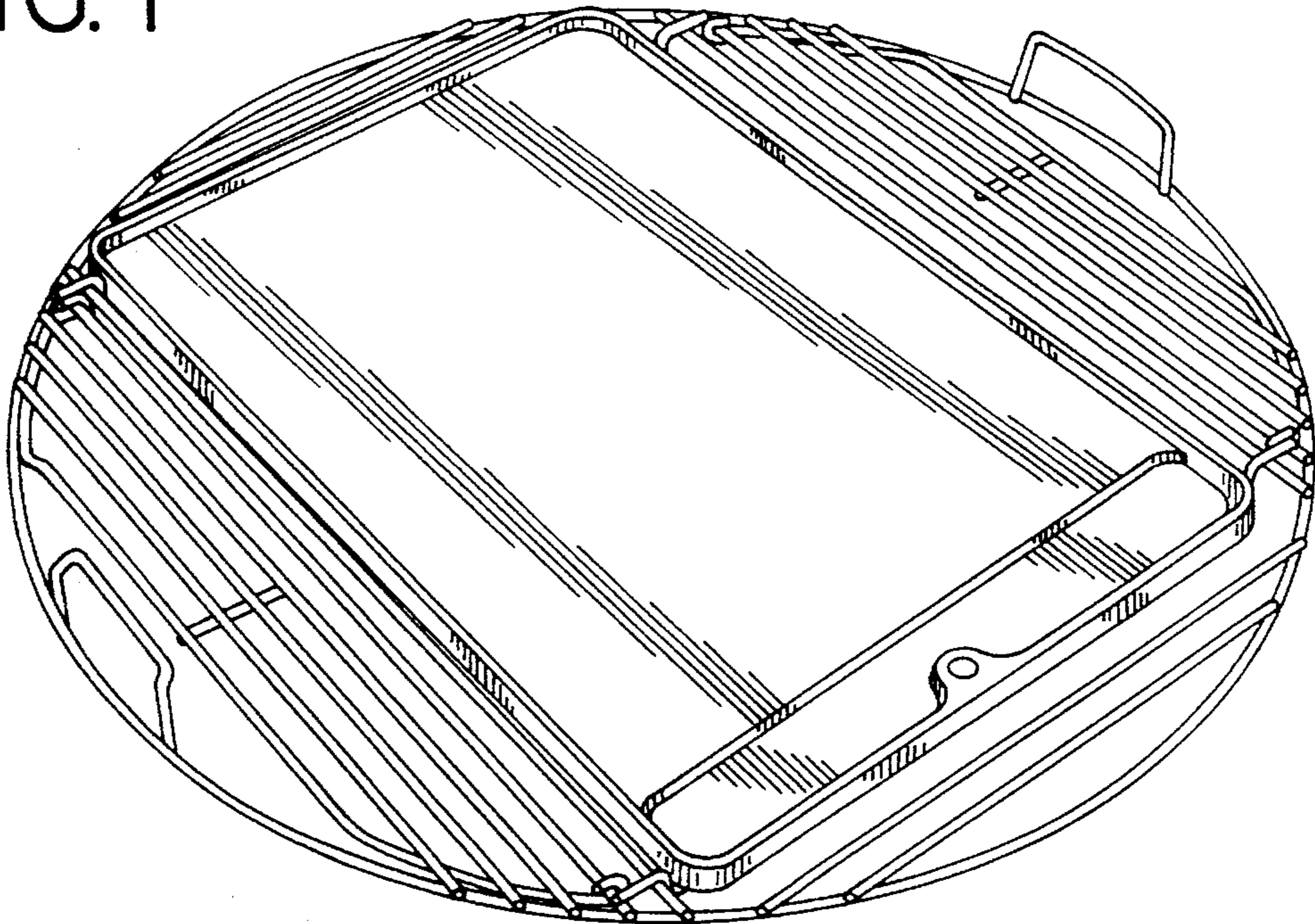


FIG. 2

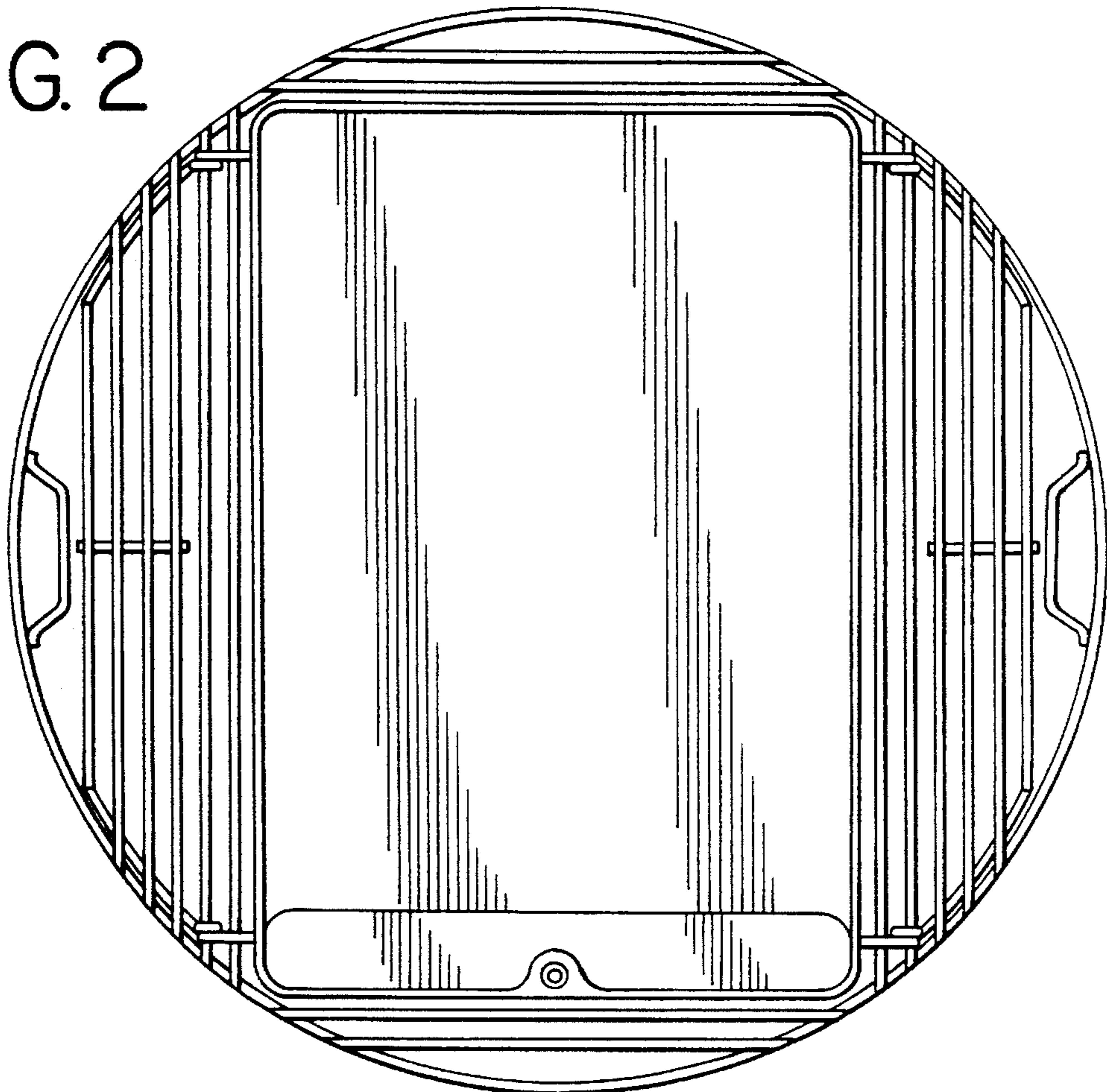




FIG. 3

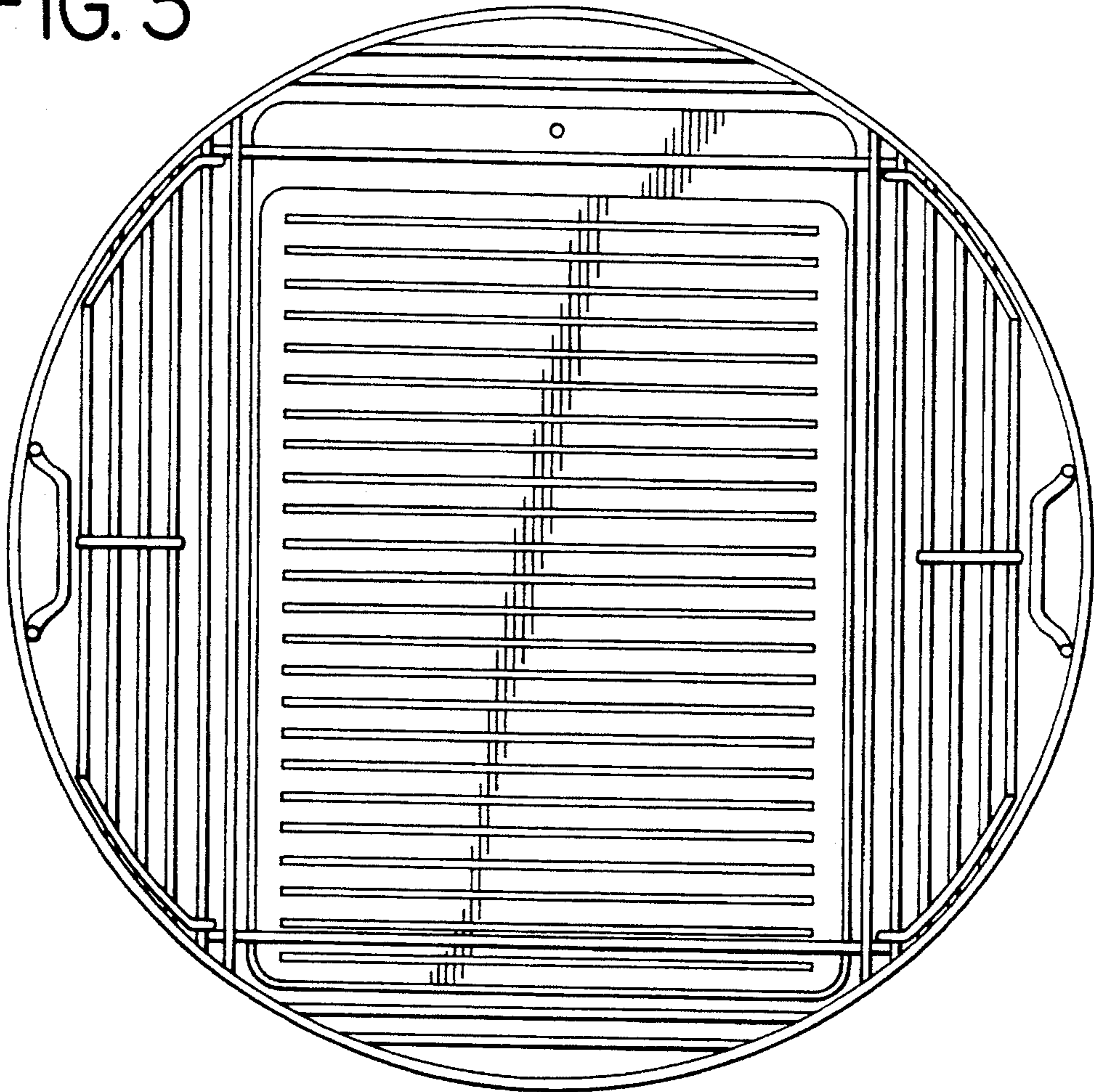


FIG. 4

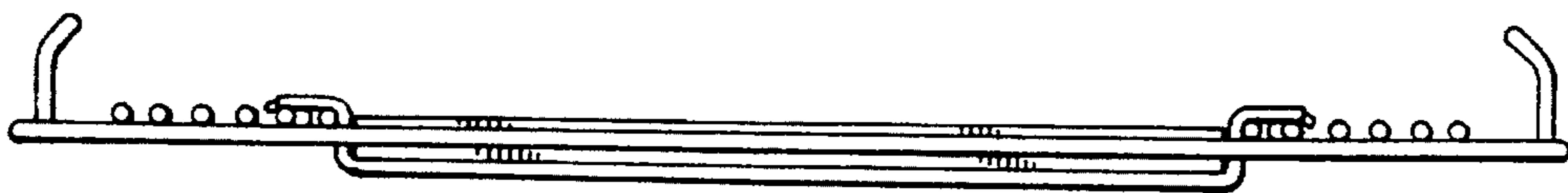


FIG. 5

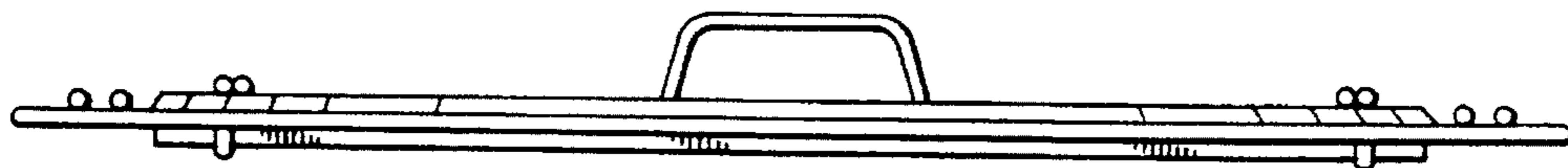


FIG. 6

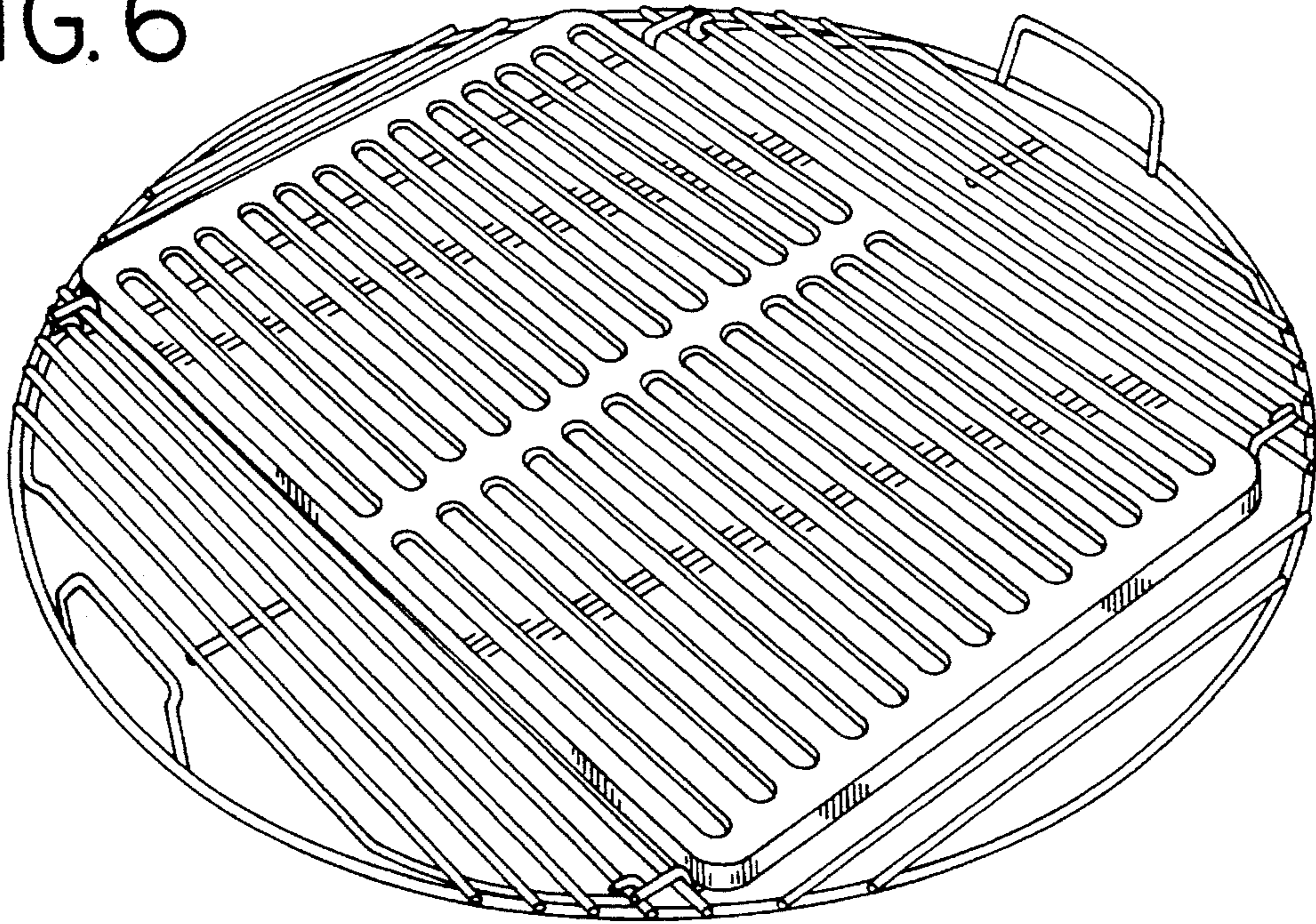


FIG. 7

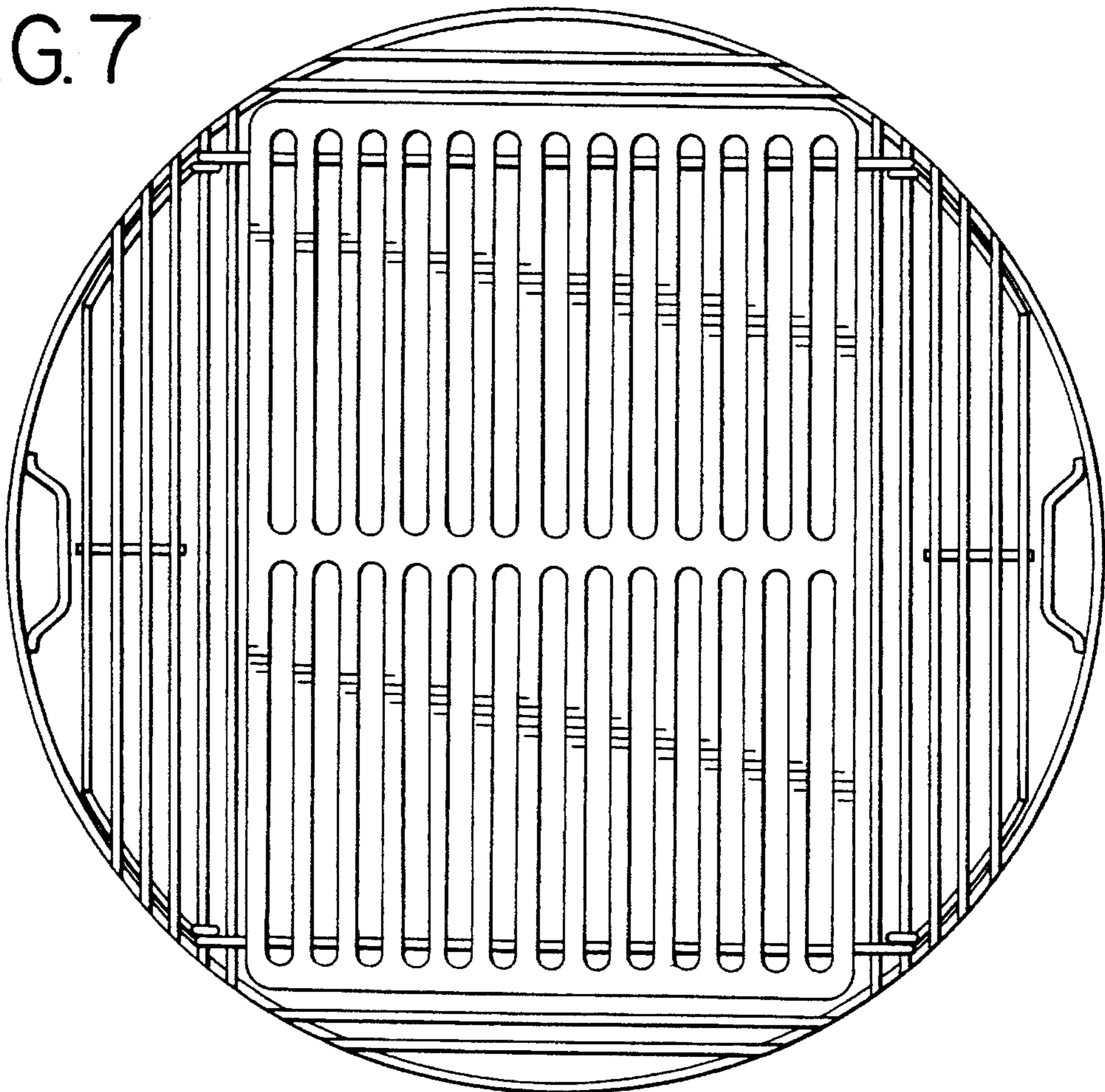




FIG. 8

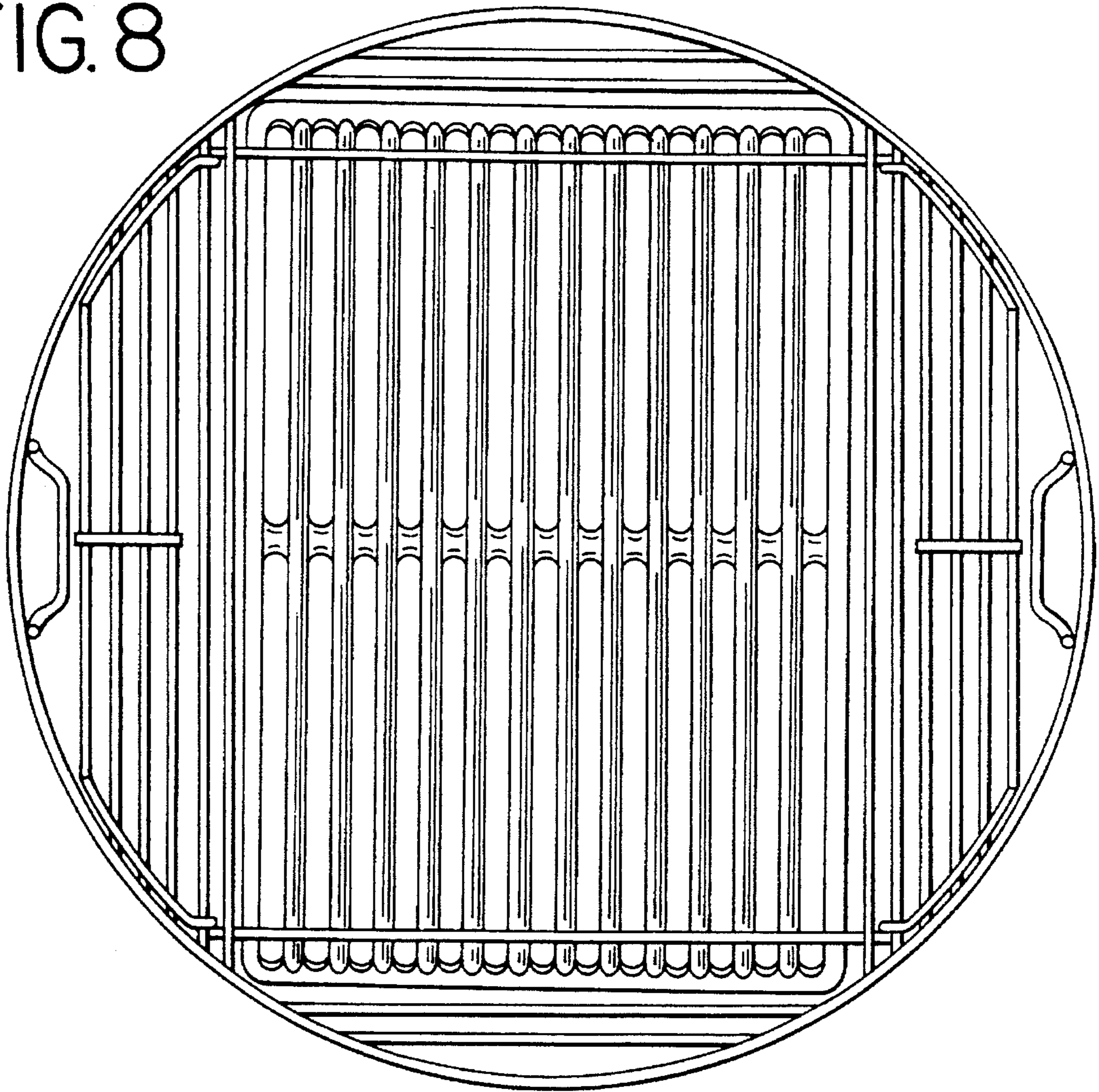


FIG. 9

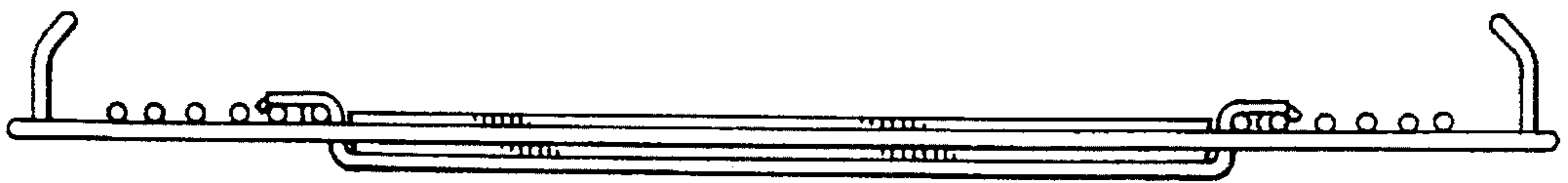


FIG. 10

