



US00D364769S

United States Patent [19]
Hickman

[11] **Patent Number:** **Des. 364,769**
[45] **Date of Patent:** ****Dec. 5, 1995**

[54] **RACK FOR HOLDING TOOLS**

[76] Inventor: **Claude R. Hickman**, 1630 Highland Oaks, Arcadia, Calif. 91006

[**] Term: **14 Years**

[21] Appl. No.: **17,499**

[22] Filed: **Jan. 18, 1994**

[52] U.S. Cl. **D6/567**

[58] Field of Search 206/349; 211/60.1, 211/70.6, 70.7, 86-87; 248/309.1, 314, 315; D6/552, 553, 567, 569-571

[56] **References Cited**

U.S. PATENT DOCUMENTS

D. 233,495	11/1974	Laterra	D6/552
D. 251,819	5/1979	Nuttall et al.	D6/569
D. 286,119	10/1986	Enquist	D6/552
D. 294,667	3/1988	Handler et al.	D6/569
1,226,231	5/1917	Mack	D6/570 X
5,377,820	1/1995	Christman	211/13 X

Primary Examiner—Brian N. Vinson
Attorney, Agent, or Firm—Frederick Gotha

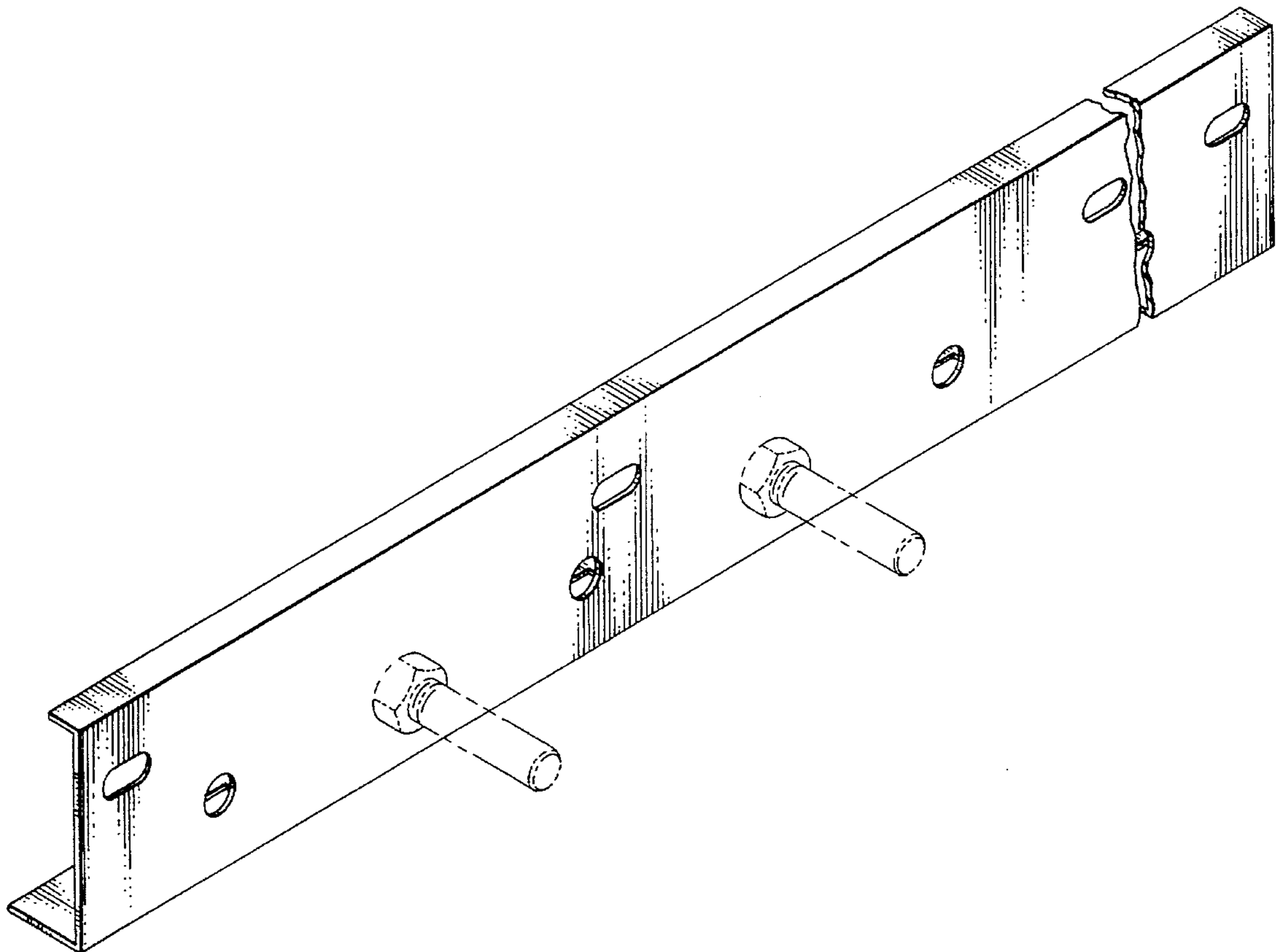
[57] **CLAIM**

The ornamental design for a rack for holding tools, as shown and described.

DESCRIPTION

FIG. 1 is a top, front, and left side perspective view of a rack for holding tools showing my new design, the broken-lin disclosure of bolts being for illustrative purposes only and forming no part of the claimed design, with the article being shown broken-away to indicate indeterminate length;
FIG. 2 is a left side elevational view thereof, the right side being a mirror image of that shown;
FIG. 3 is a top plan view thereof;
FIG. 4 is a front elevational view thereof;
FIG. 5 is a bottom plan view thereof; and,
FIG. 6 is a rear elevational view thereof.

1 Claim, 3 Drawing Sheets



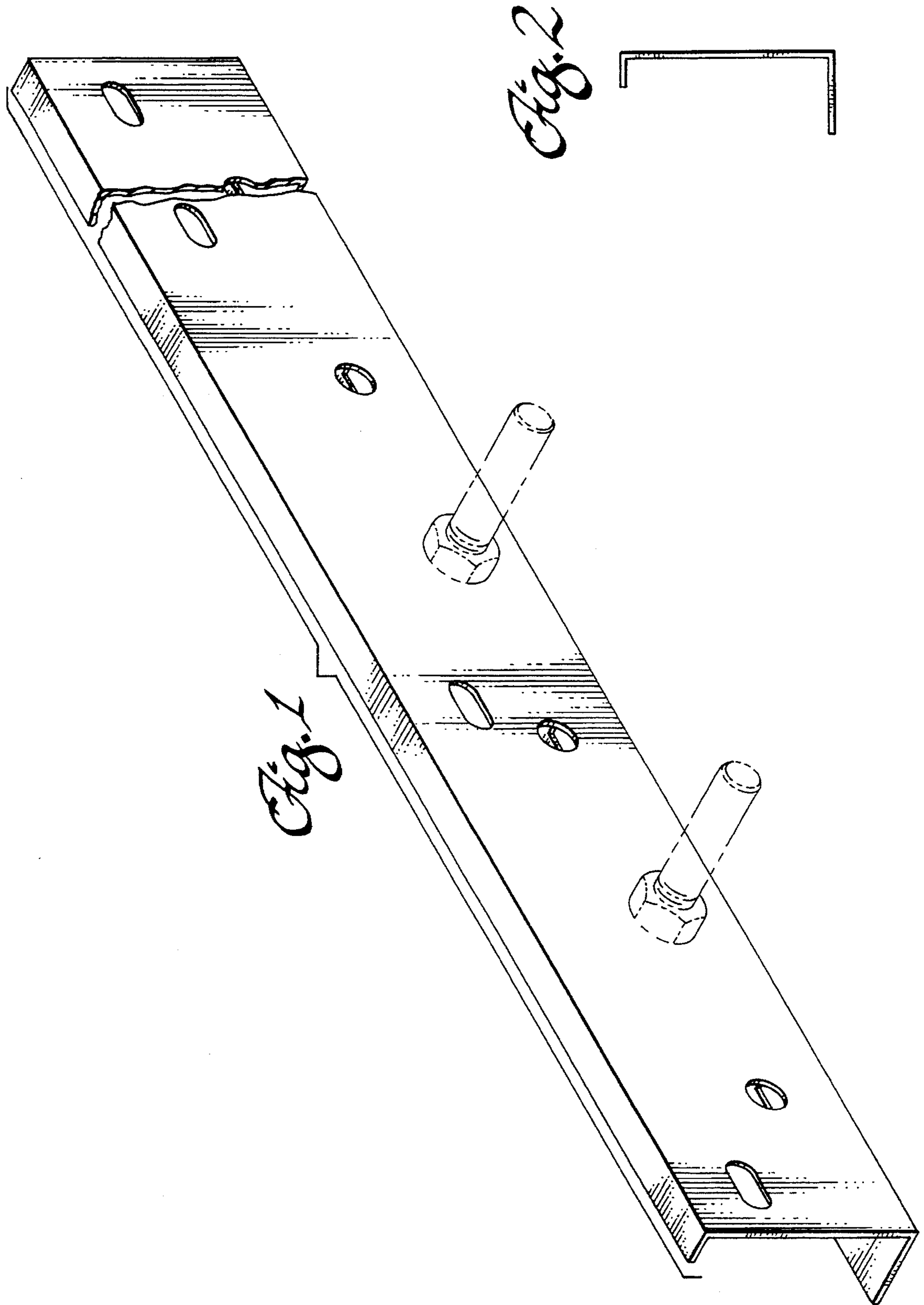


Fig. 3

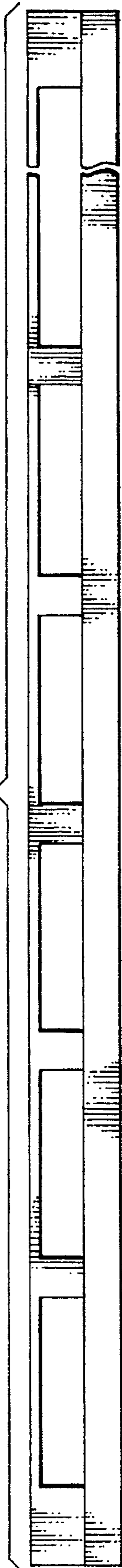


Fig. 4

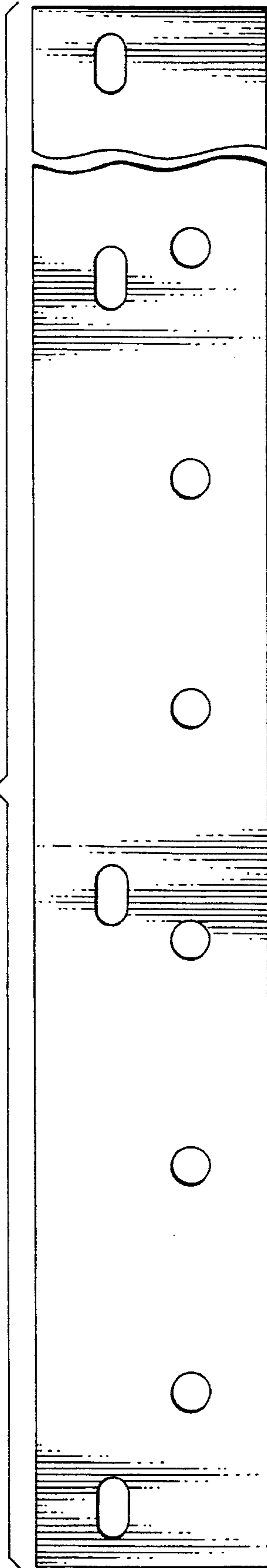


Fig. 5

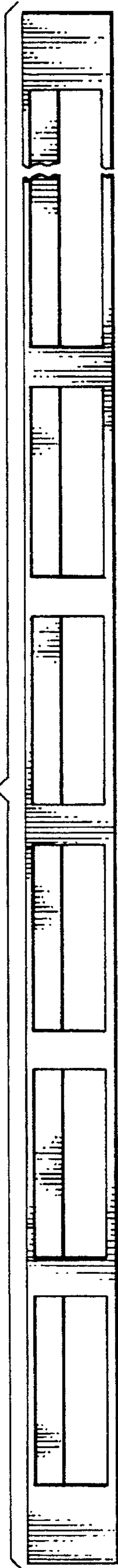


Fig. 6

