



US00D364768S

# United States Patent [19] Moon

[11] **Patent Number:** **Des. 364,768**  
[45] **Date of Patent:** **\*\*Dec. 5, 1995**

[54] **TOWEL RACK**  
[75] Inventor: **In-Ho Moon**, Seoul, Rep. of Korea  
[73] Assignee: **American Standard Inc.**, Piscataway, N.J.  
[\*\*] Term: **14 Years**

D. 297,194 8/1988 Reid ..... D6/546  
D. 301,955 7/1989 Joss et al. .... D6/564  
4,372,449 2/1983 Fink ..... 211/106

*Primary Examiner*—Brian N. Vinson  
*Attorney, Agent, or Firm*—Elaine Brenner Robinson; Ann M. Knab

[21] Appl. No.: **18,876**  
[22] Filed: **Feb. 17, 1994**

### [57] CLAIM

The ornamental designs for a towel rack, as shown and described.

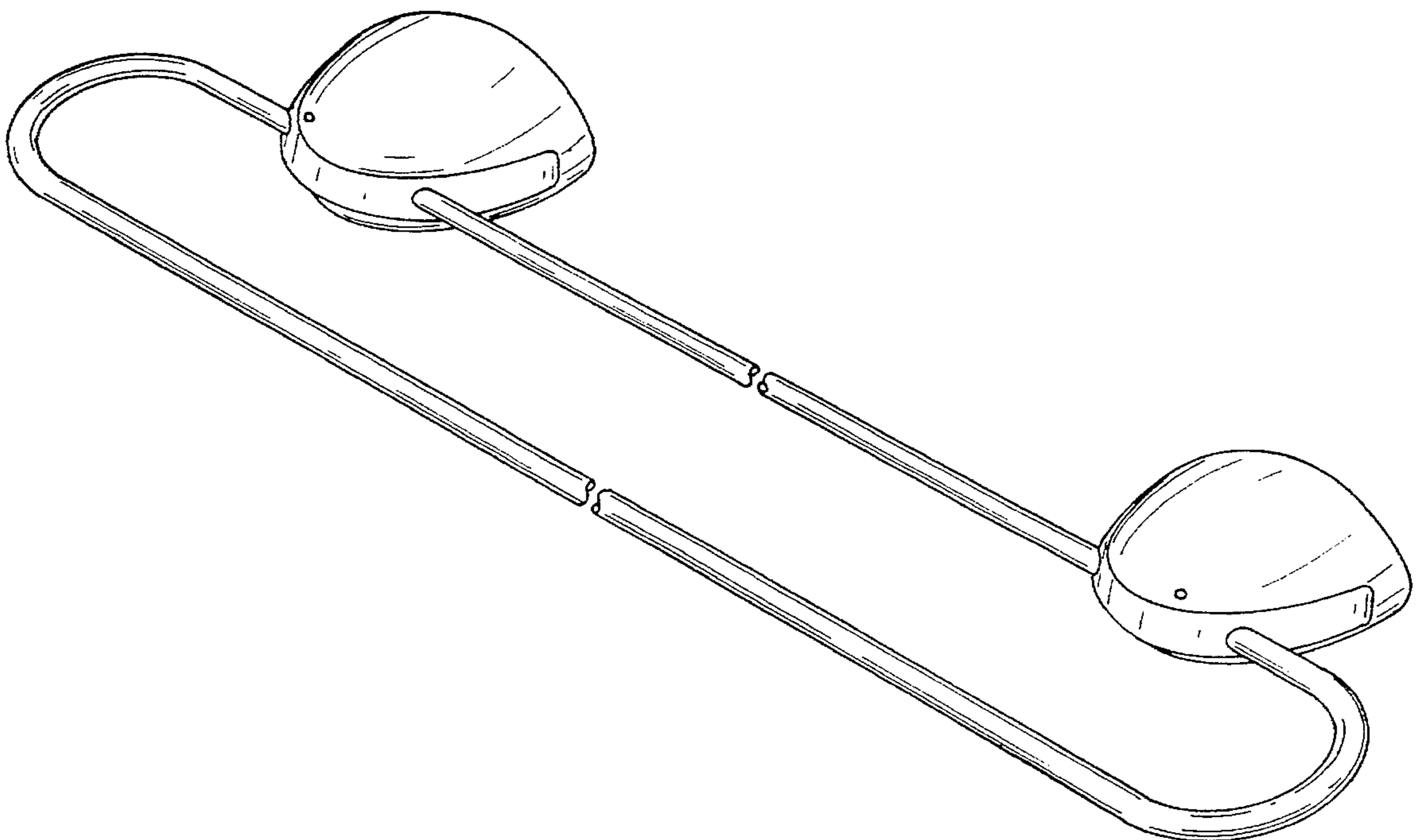
[30] **Foreign Application Priority Data**  
Aug. 18, 1993 [KR] Rep. of Korea ..... 1993-16703  
Aug. 18, 1993 [KR] Rep. of Korea ..... 1993-16705  
Aug. 18, 1993 [KR] Rep. of Korea ..... 1993-16712  
[52] **U.S. Cl.** ..... **D6/549**  
[58] **Field of Search** ..... D6/546-550, 574;  
211/16, 86-87, 112, 113, 123

### DESCRIPTION

FIG. 1 is a top, front, and right side perspective view of a towel rack showing my new design;  
FIG. 2 is a rear elevational view thereof;  
FIG. 3 is a front elevational view thereof;  
FIG. 4 is a right side elevational view thereof, the left side being a mirror image of that shown;  
FIG. 5 is a top plan view thereof; and,  
FIG. 6 is a bottom plan view thereof.  
The bar portions of the towel rack are shown broken-away in the views to indicate indeterminate length.

[56] **References Cited**  
**U.S. PATENT DOCUMENTS**  
D. 132,711 6/1942 Sanford ..... D6/548

**1 Claim, 4 Drawing Sheets**



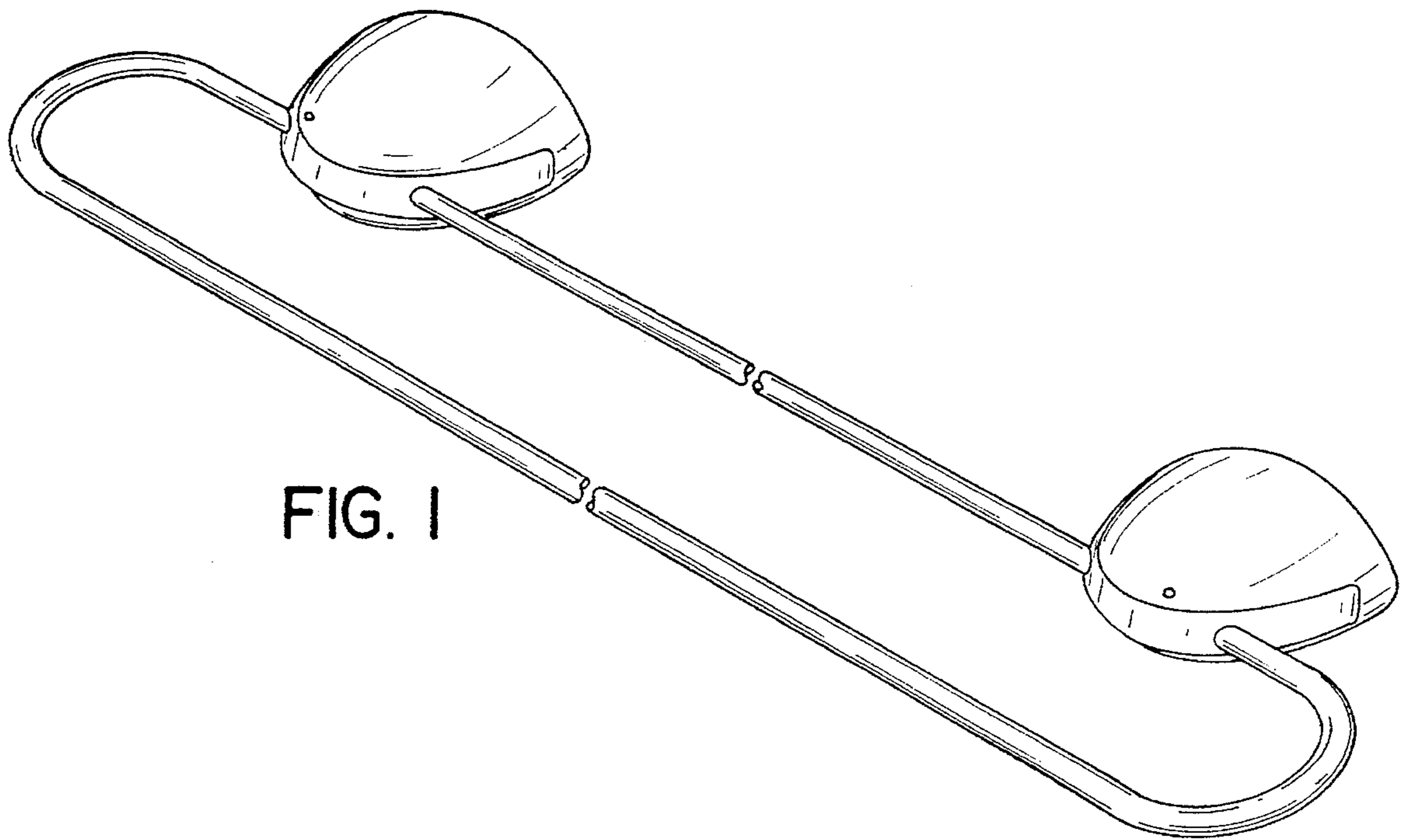


FIG. 1

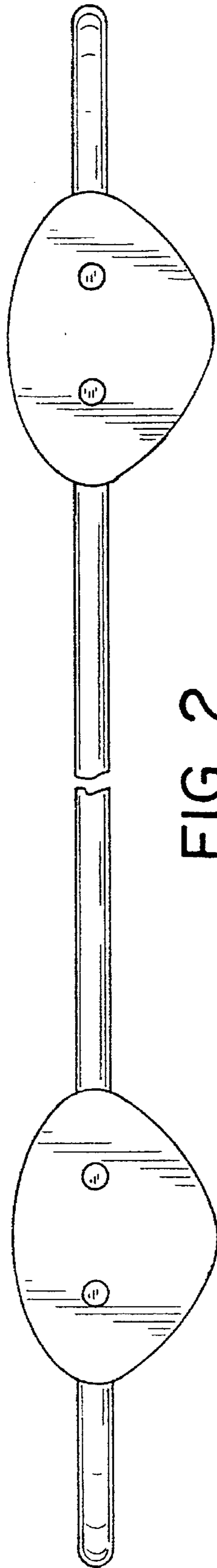


FIG. 2

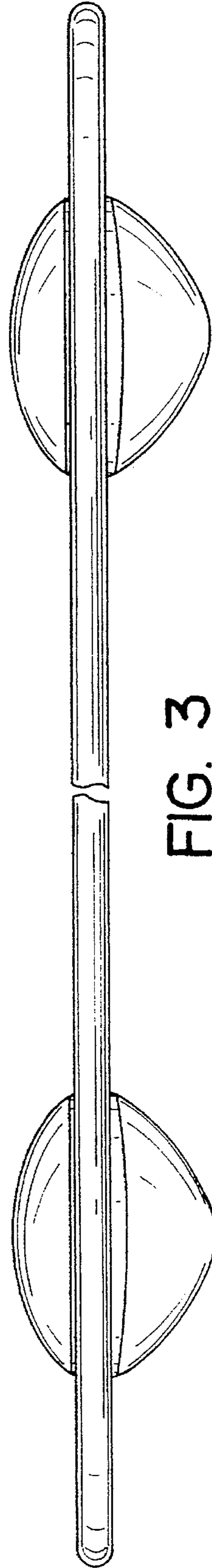


FIG. 3

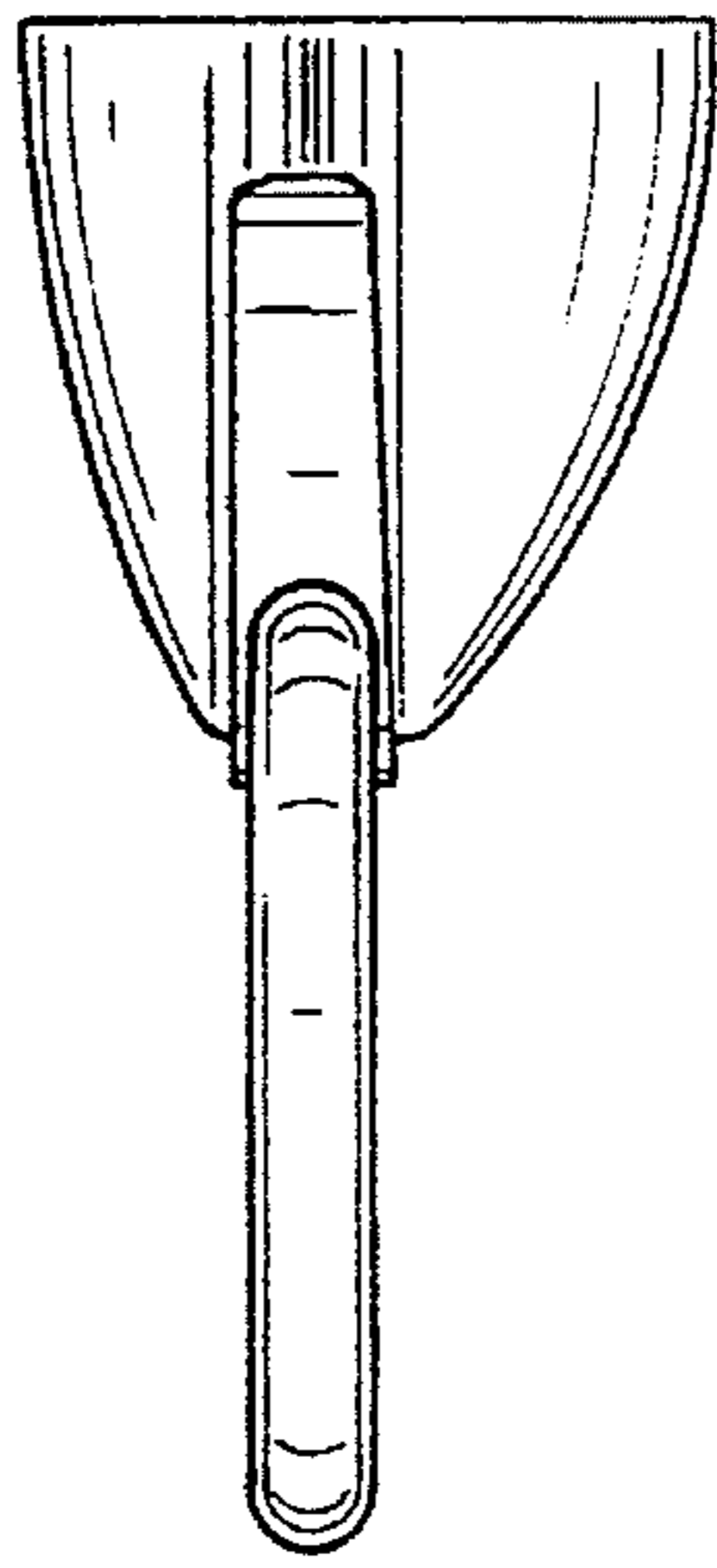


FIG. 4

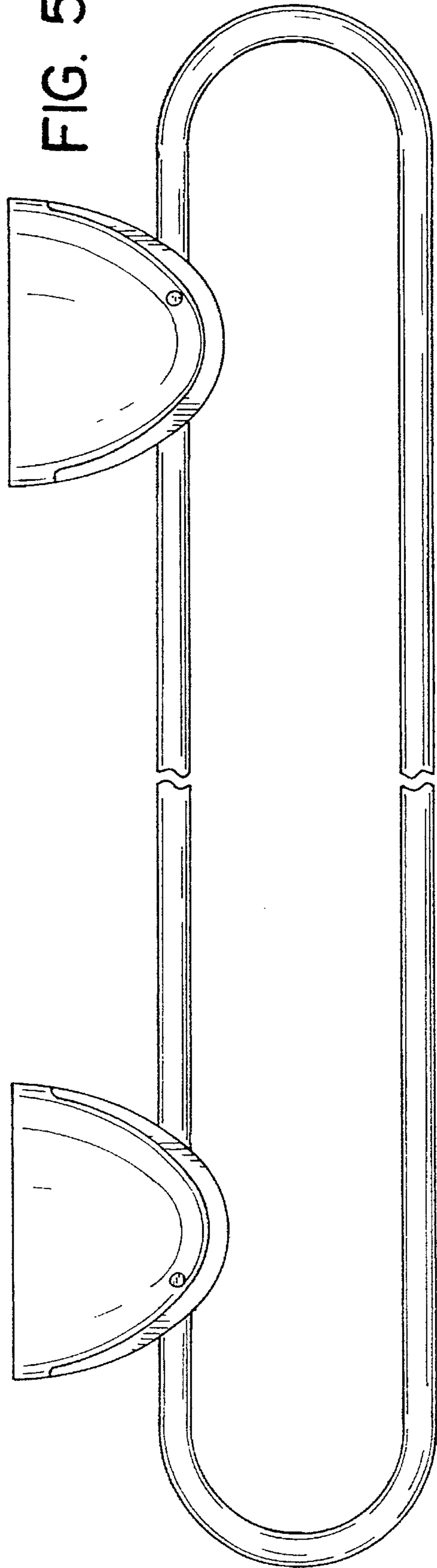


FIG. 5

FIG. 6

