



US00D364767S

United States Patent [19]
McLinden

[11] **Patent Number:** **Des. 364,767**
[45] **Date of Patent:** ****Dec. 5, 1995**

[54] **SHOWER CADDY**

3,008,585 11/1961 McNeill 108/42
5,014,860 5/1991 Emery 211/106

[75] Inventor: **Thomas V. McLinden**, Woodbury,
Conn.

Primary Examiner—Brian N. Vinson
Attorney, Agent, or Firm—Edgar A. Zarins; Malcolm L.
Sutherland

[73] Assignee: **Zenith Products Corporation**, Aston,
Pa.

[57] **CLAIM**

[**] Term: **14 Years**

The ornamental design for a shower caddy, as shown and
described.

[21] Appl. No.: **31,161**

DESCRIPTION

[22] Filed: **Nov. 21, 1994**

[52] U.S. Cl. **D6/525; D6/562**

FIG. 1 is a perspective view of a shower caddy showing my
new design;

[58] **Field of Search** D6/524–525, 562,
D6/569–570; 108/59, 42; 211/86, 88, 90,
126, 134, 106

FIG. 2 is a front elevational view thereof;

FIG. 3 is a left side view thereof;

FIG. 4 is a right side view thereof;

FIG. 5 is a top plan view thereof; and,

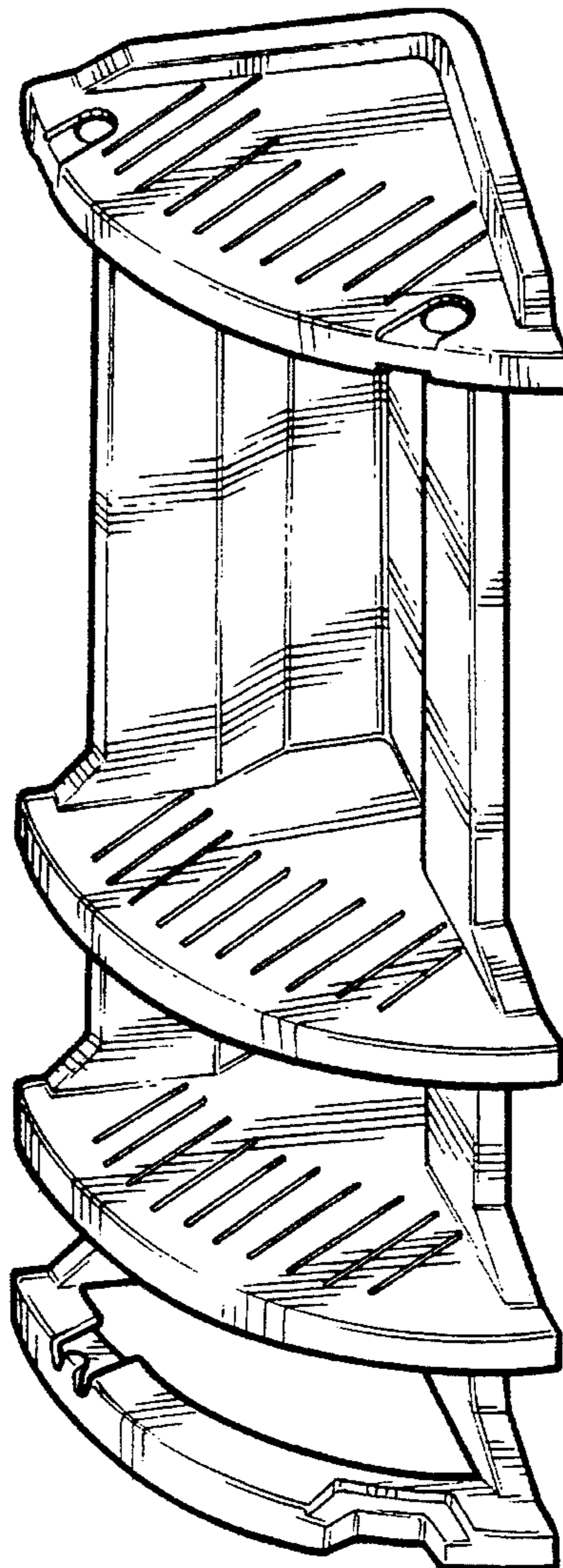
FIG. 6 is a bottom plan view thereof.

[56] **References Cited**

U.S. PATENT DOCUMENTS

D. 329,158 9/1992 Tuzi D6/525 X
D. 351,751 10/1994 Brightbill et al. D6/525

1 Claim, 3 Drawing Sheets



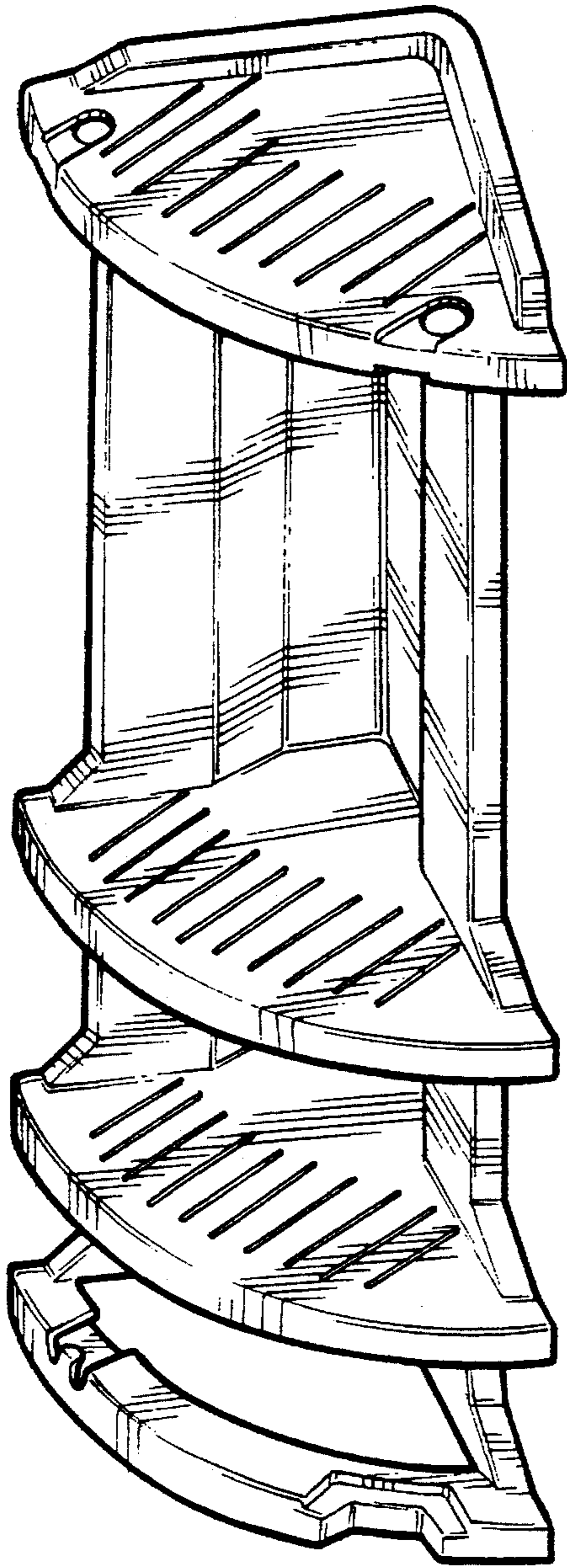


Fig-1

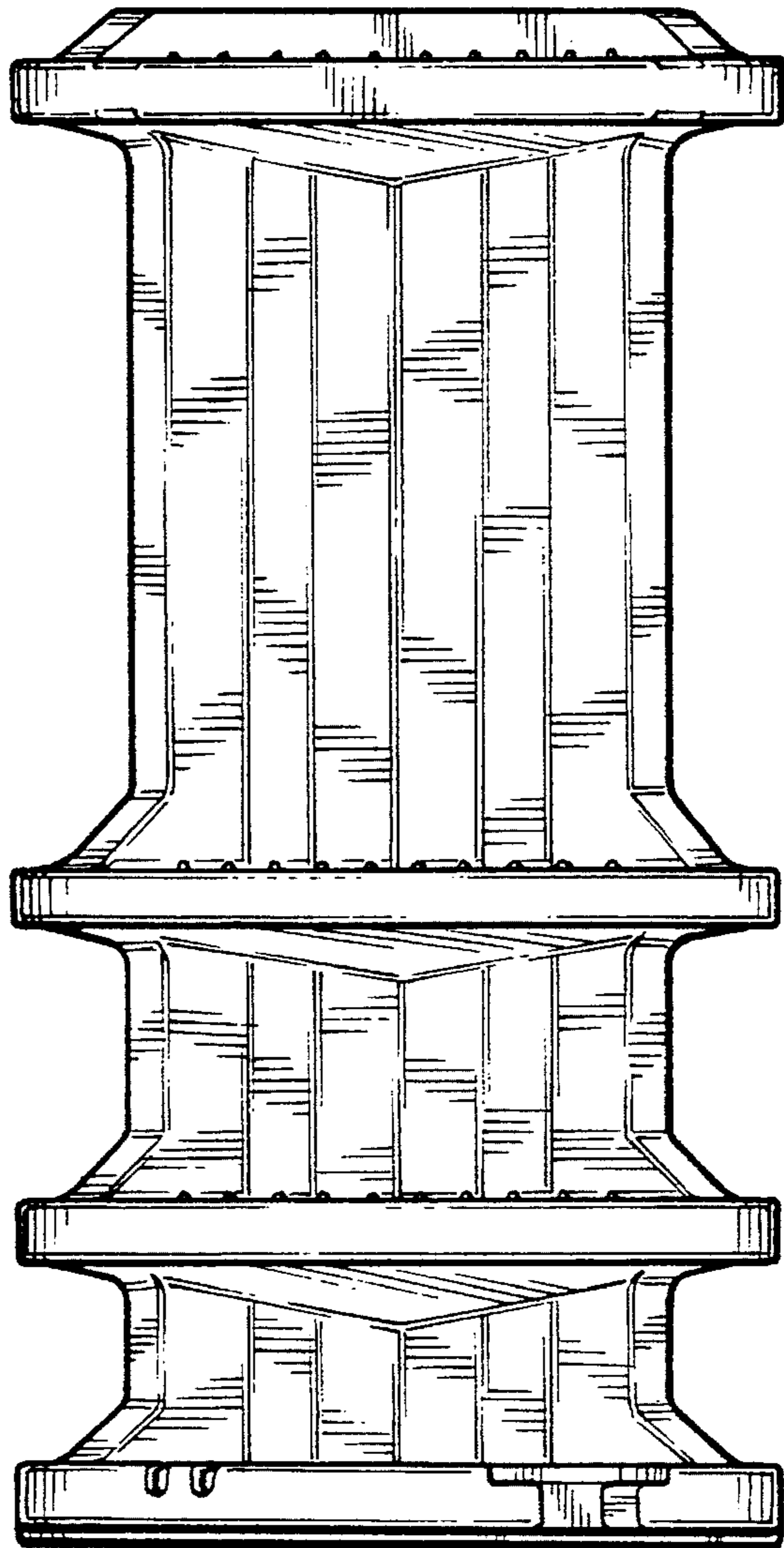


Fig-2

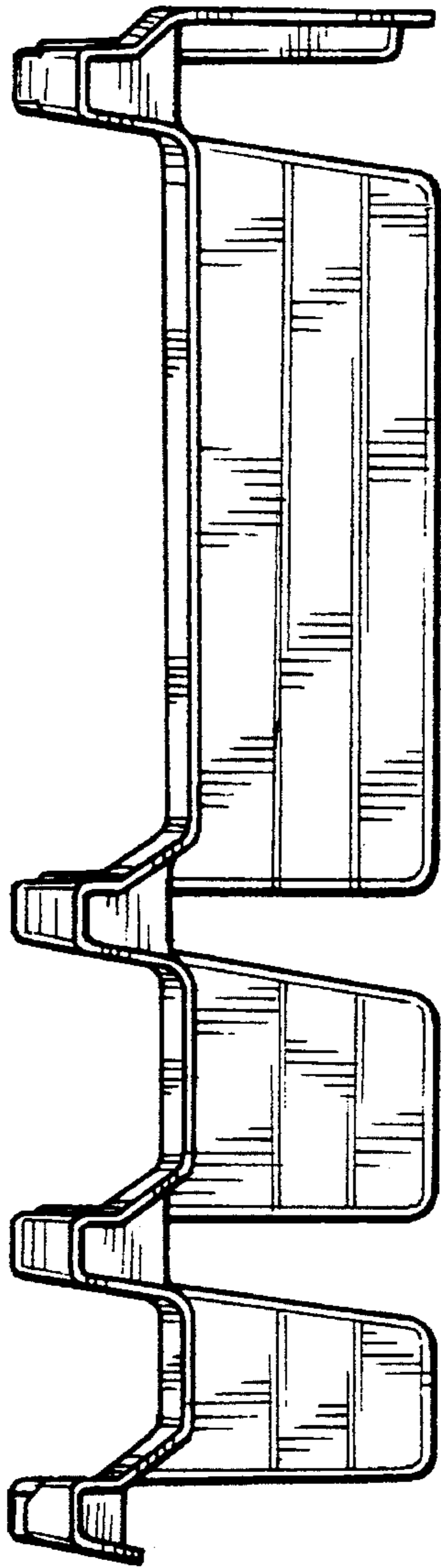
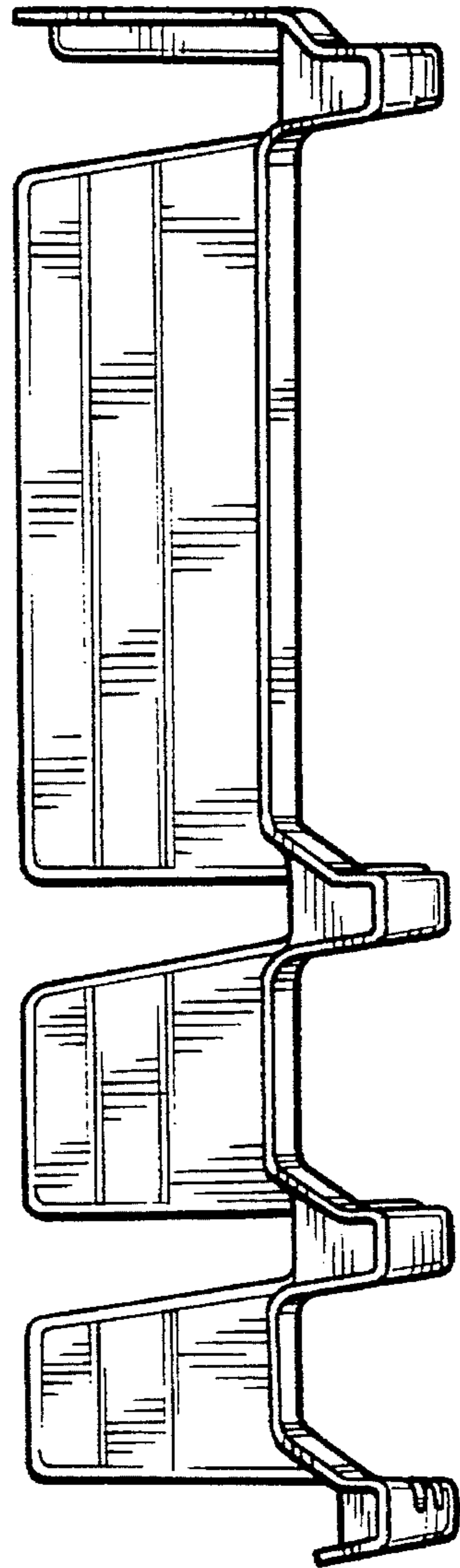


Fig - 4

Fig-3



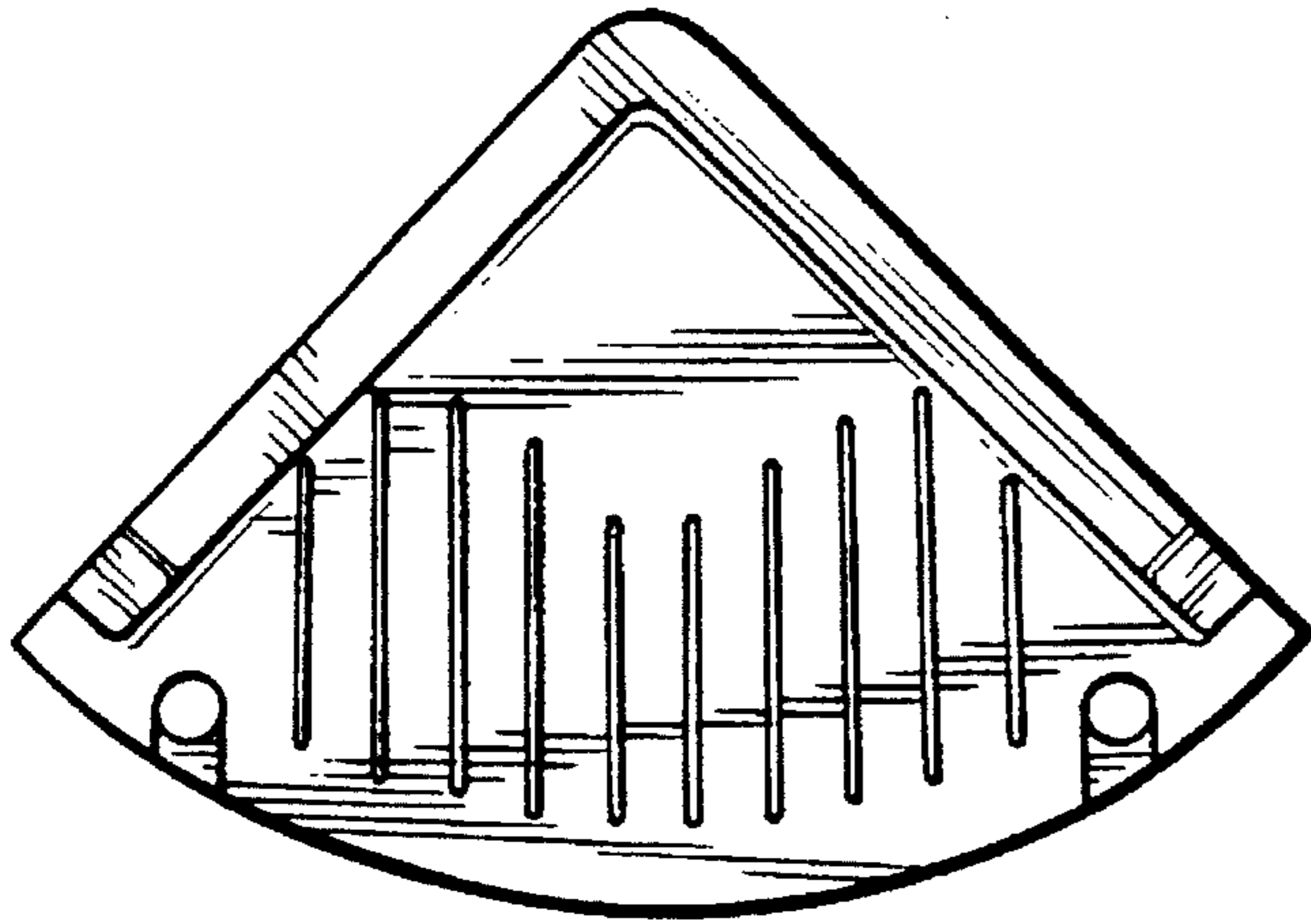


Fig - 5

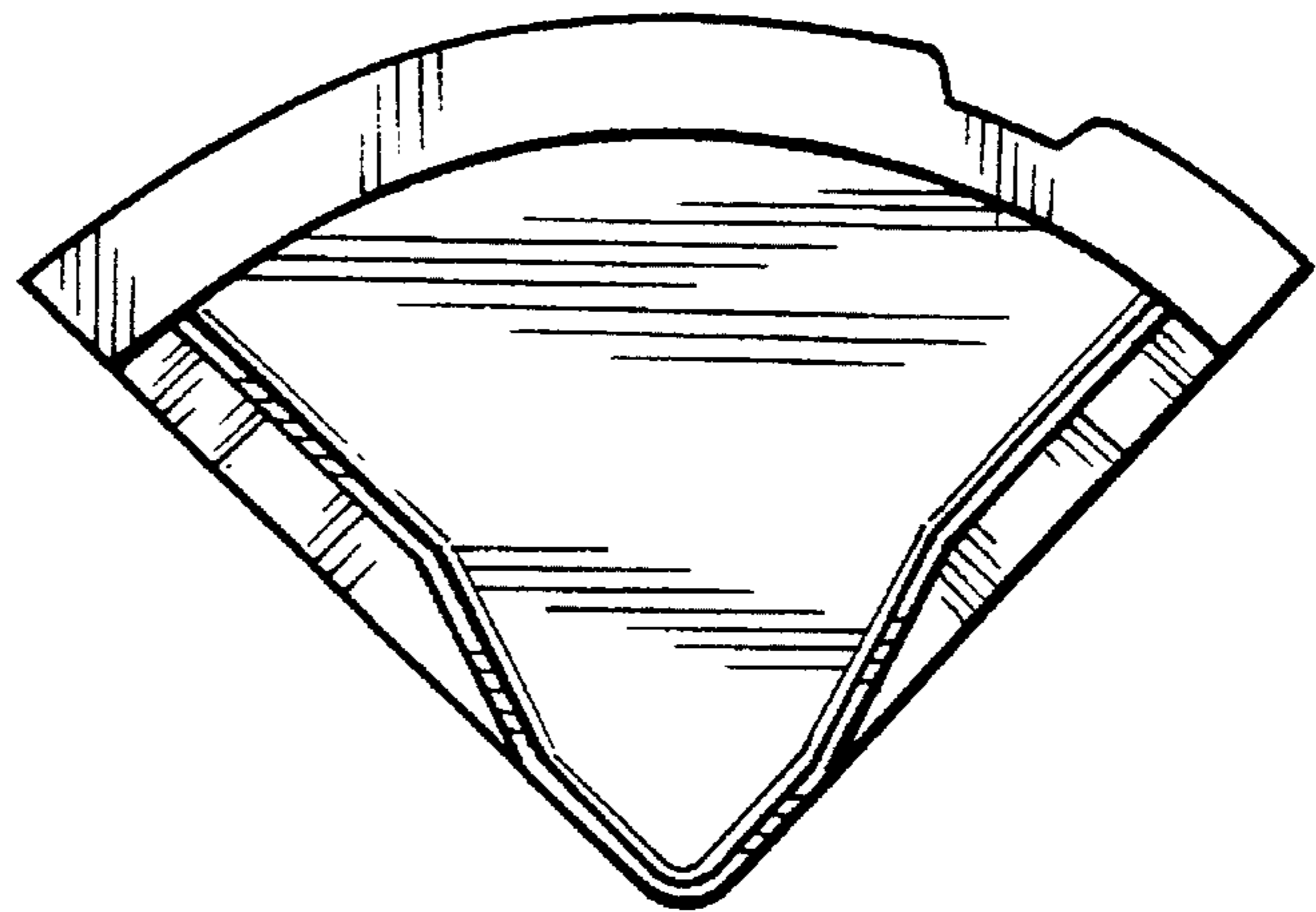


Fig - 6