



US00D364766S

**United States Patent** [19]  
**Crawford et al.**

[11] **Patent Number:** **Des. 364,766**  
[45] **Date of Patent:** **\*\*Dec. 5, 1995**

[54] **PAPER DISPENSING ASSEMBLY**  
[75] Inventors: **Dennis L. Crawford**, Roberts, Wis.;  
**George J. Kluzak**, Lake Crystal,  
Minn.; **Jeffrey S. Weinfurter**, Troy,  
Wis.  
[73] Assignee: **Minnesota Mining and  
Manufacturing Company**, St. Paul,  
Minn.  
[\*\*] Term: **14 Years**  
[21] Appl. No.: **29,799**  
[22] Filed: **Oct. 17, 1994**  
[52] U.S. Cl. .... **D6/518**  
[58] **Field of Search** ..... D6/518-523; D19/86,  
D19/89; 242/570, 590, 588, 588.3, 588.4,  
598; 312/34.8

D. 351,303 10/1994 Crawford et al. .... D6/518  
2,096,107 10/1937 Haggerty ..... 206/58  
3,679,146 7/1972 Klitzke ..... 242/55.53  
3,870,212 3/1975 Polk ..... 225/42  
4,451,010 5/1984 Meyer ..... 242/588.3 X  
4,779,780 10/1988 Scharf ..... 225/42

*Primary Examiner*—Brian N. Vinson  
*Attorney, Agent, or Firm*—Gary L. Griswold; Walter N.  
Kirm; William L. Huebsch

[57] **CLAIM**

The ornamental design for a paper dispensing assembly, as shown and described.

**DESCRIPTION**

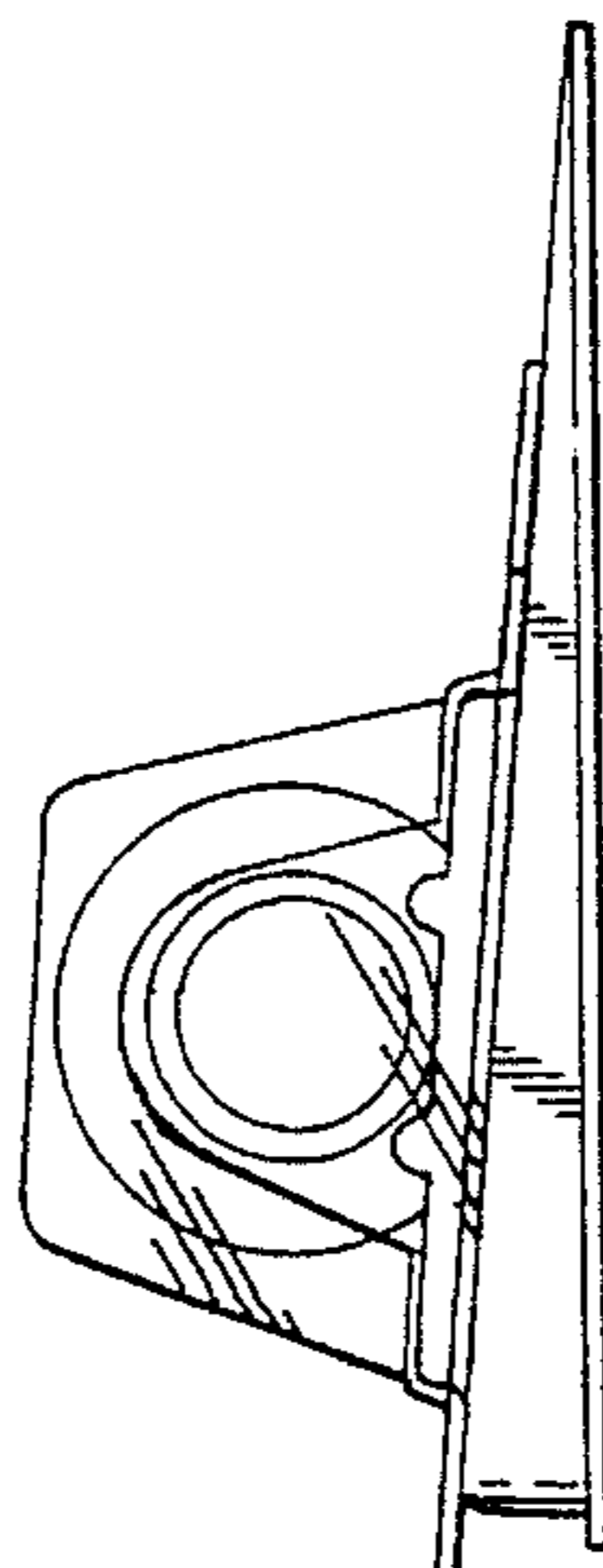
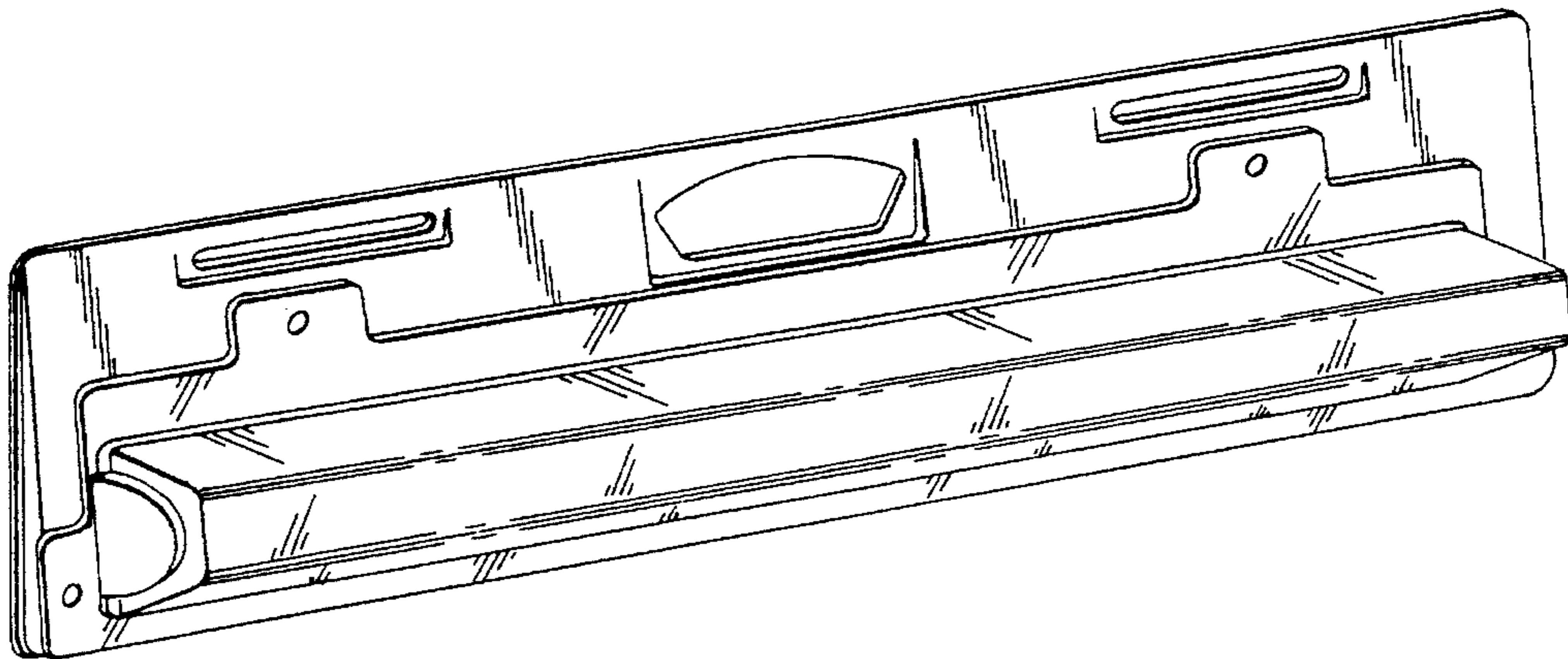
FIG. 1 is a top, left front isometric view of a paper dispensing assembly showing our new design; FIG. 2 is a front elevational view thereof; FIG. 3 is a right side elevational view thereof, the left side elevational view being a mirror image thereof; FIG. 4 is a rear elevational view thereof; FIG. 5 is a bottom plan view thereof; and, FIG. 6 is a top plan view thereof.

[56] **References Cited**

**U.S. PATENT DOCUMENTS**

D. 215,671 10/1969 Knight, Jr. et al. .... D6/518  
D. 329,956 10/1992 Stewart ..... D6/520  
D. 332,214 1/1993 Mulder et al. .... D6/522 X

**1 Claim, 2 Drawing Sheets**



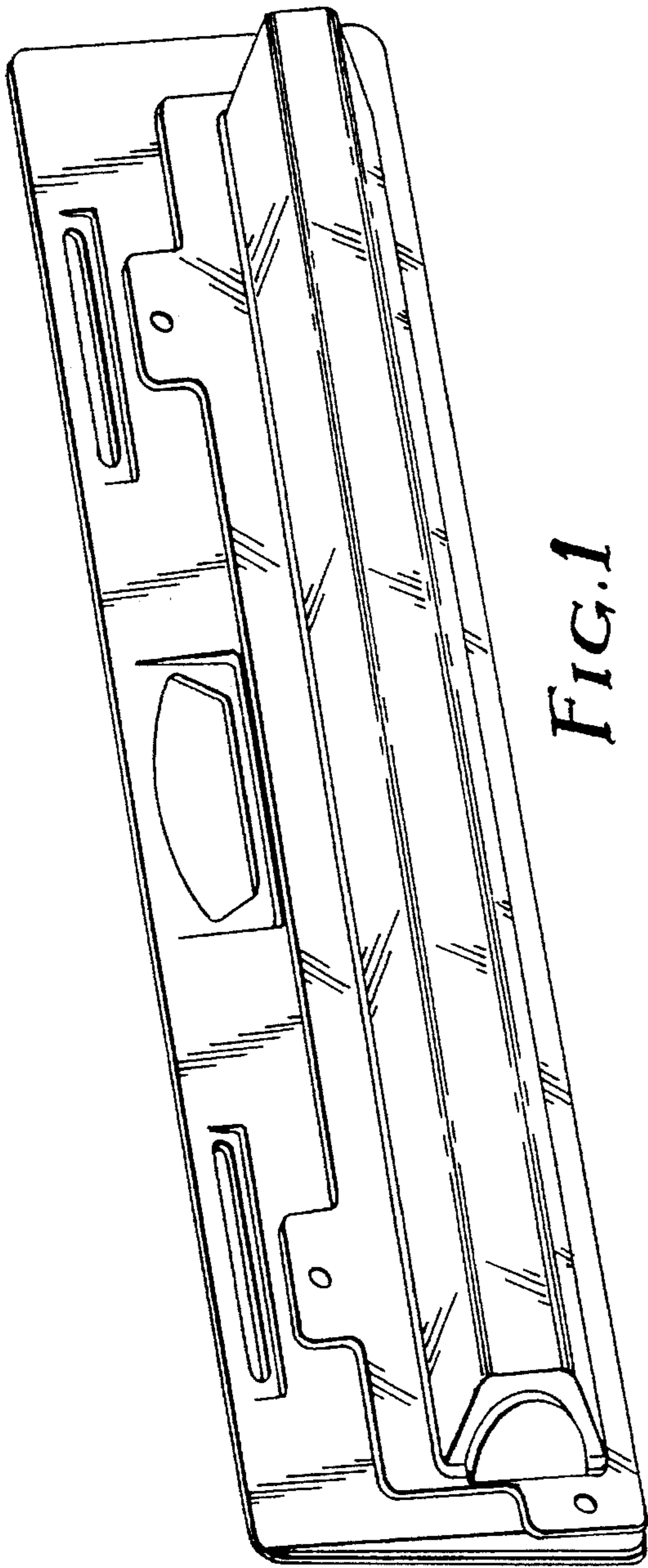


FIG. 1

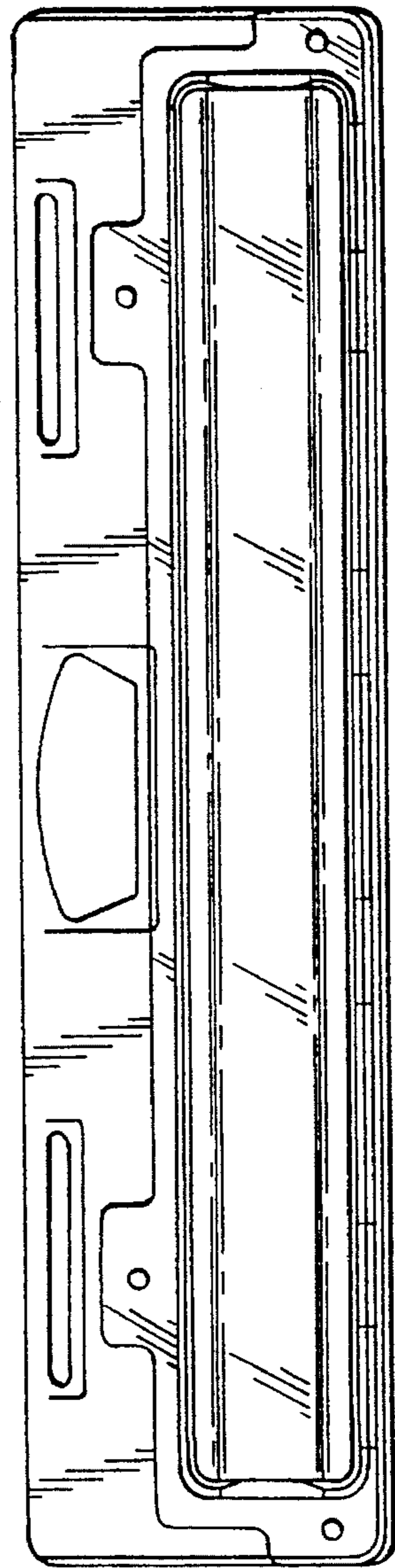


FIG. 2

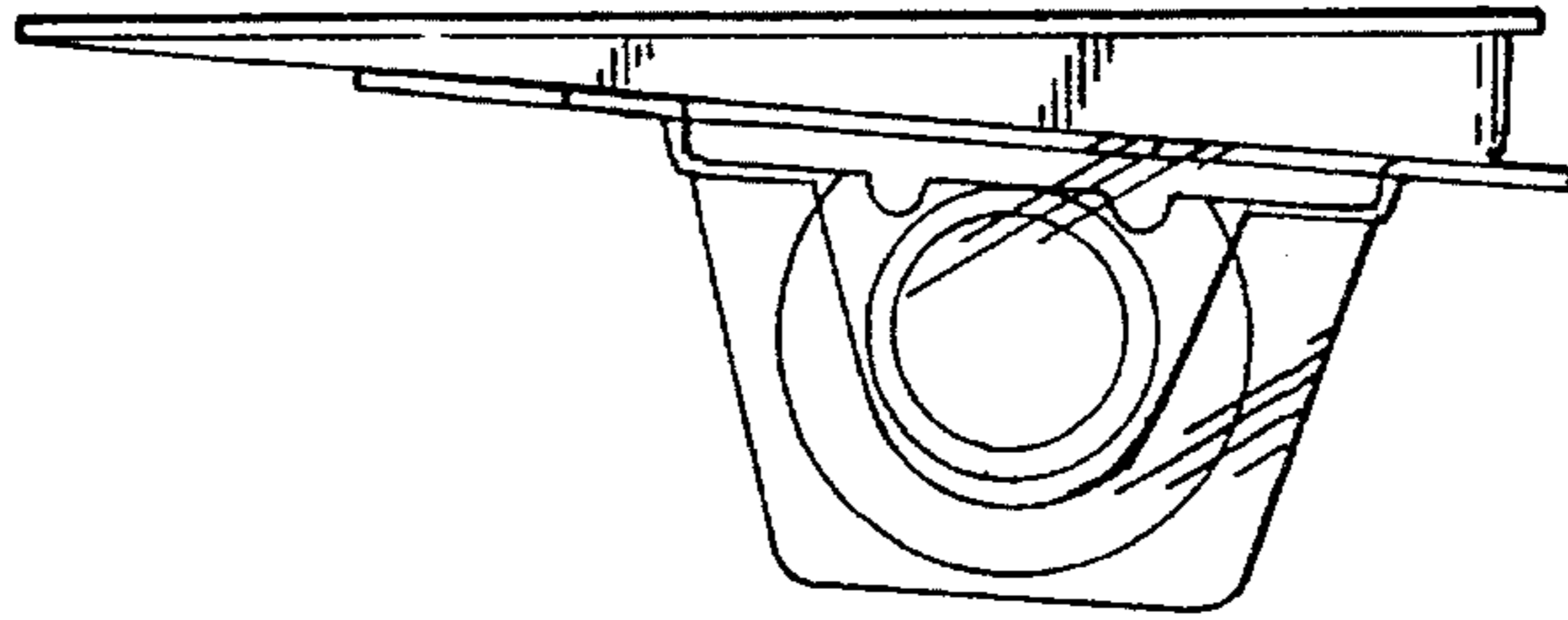


FIG. 3

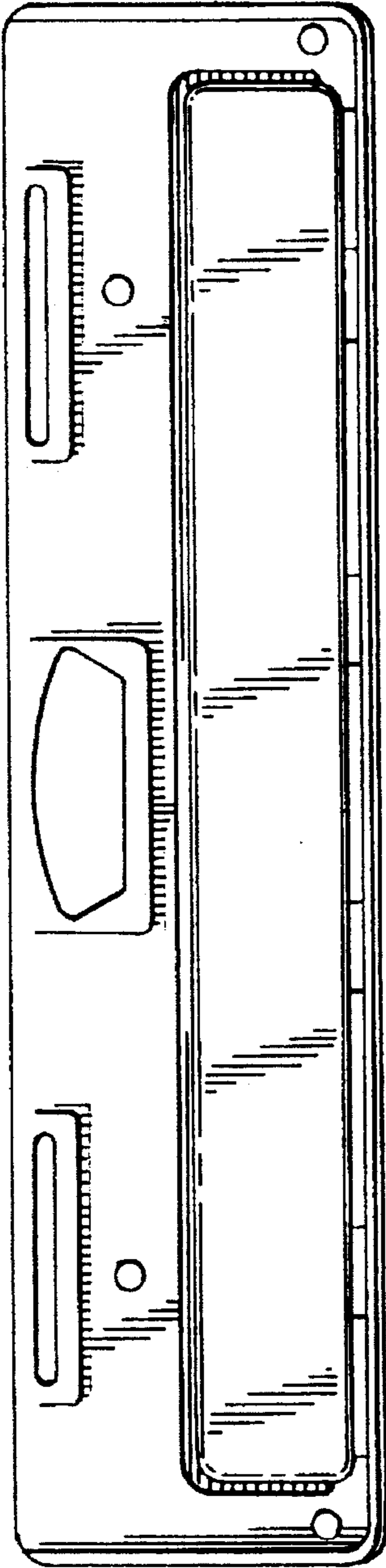


FIG. 4

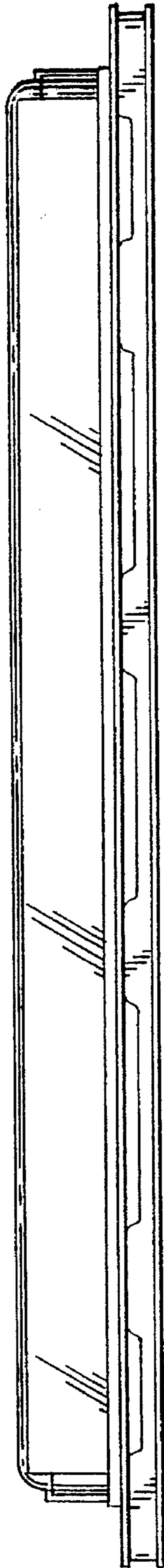


FIG. 5

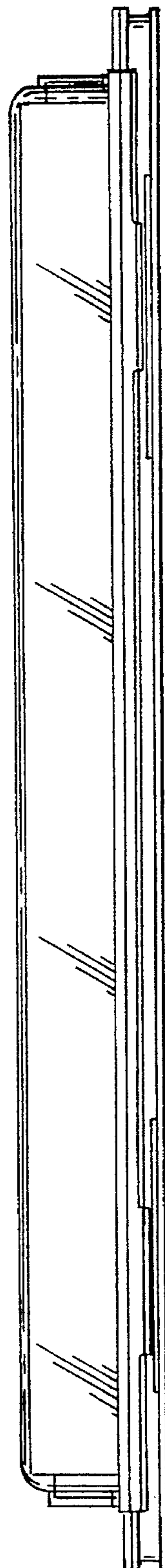


FIG. 6