



US00D364765S

United States Patent [19] Martin

[11] Patent Number: **Des. 364,765**

[45] Date of Patent: ****Dec. 5, 1995**

[54] **COCKTAIL TABLE FRAME**

D. 181,805 12/1957 Morris D6/487 X
D. 311,468 10/1990 Martin D6/487

[75] Inventor: **Leo Martin**, Coconut Grove, Fla.

OTHER PUBLICATIONS

[73] Assignee: **Miami Metal Products, Inc.**, Miami, Fla.

La Barge, p. 103A table #4405 at top.

[**] Term: **14 Years**

Primary Examiner—Janice E. Seeger

[21] Appl. No.: **30,824**

[57] CLAIM

[22] Filed: **Nov. 9, 1994**

The ornamental design for a cocktail table frame, as shown and described.

[52] U.S. Cl. **D6/495**; D6/499

DESCRIPTION

[58] Field of Search D6/480-489, 495, D6/497, 499; 108/153, 155, 156, 157, 161

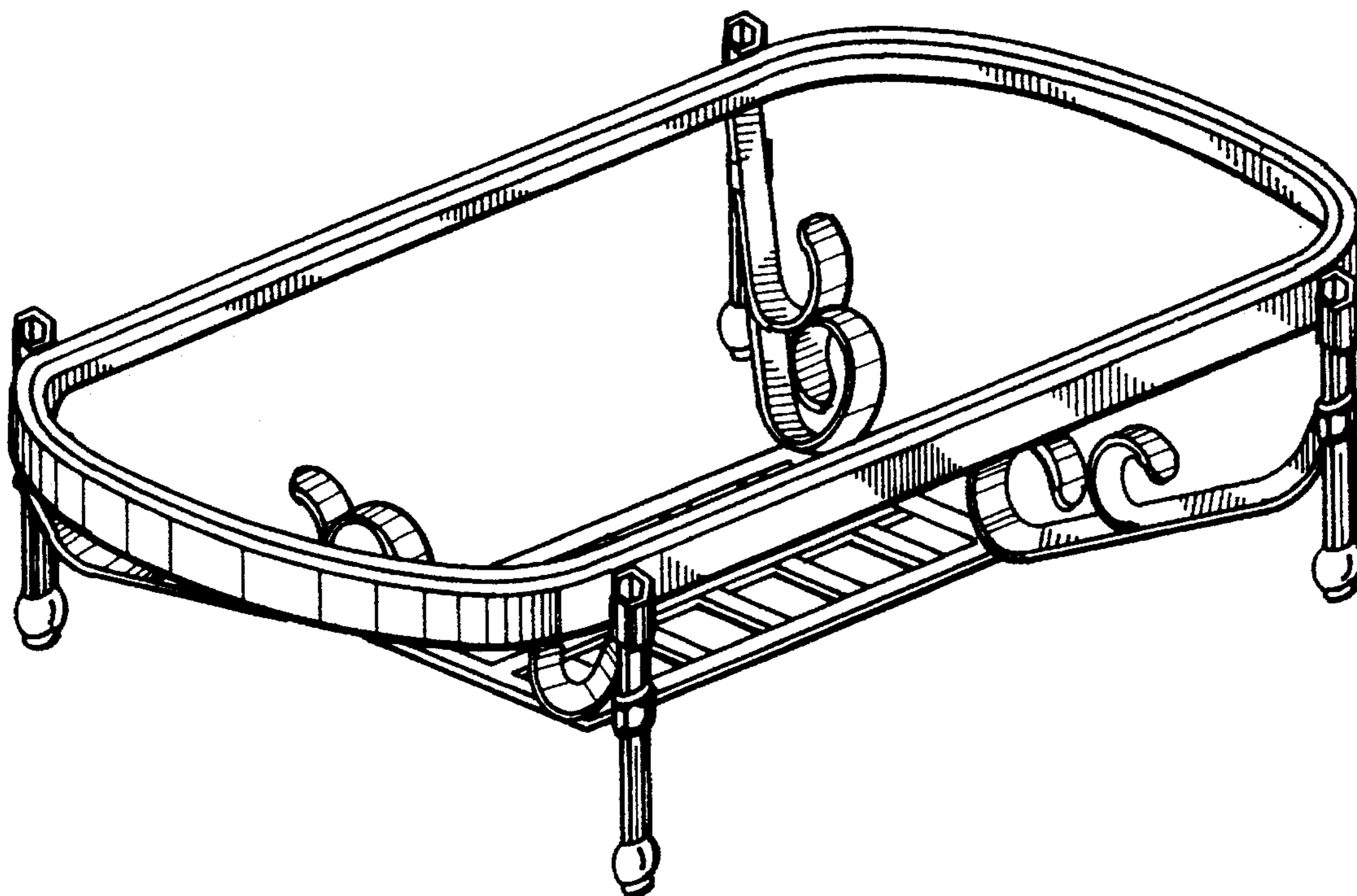
FIG. 1 is a perspective view of the present invention; FIG. 2 is a front view of the present invention; FIG. 3 is a side view of the present invention; and, FIG. 4 is a top view of the present invention.

[56] References Cited

U.S. PATENT DOCUMENTS

D. 178,838 9/1956 Jacoby D6/484

1 Claim, 2 Drawing Sheets



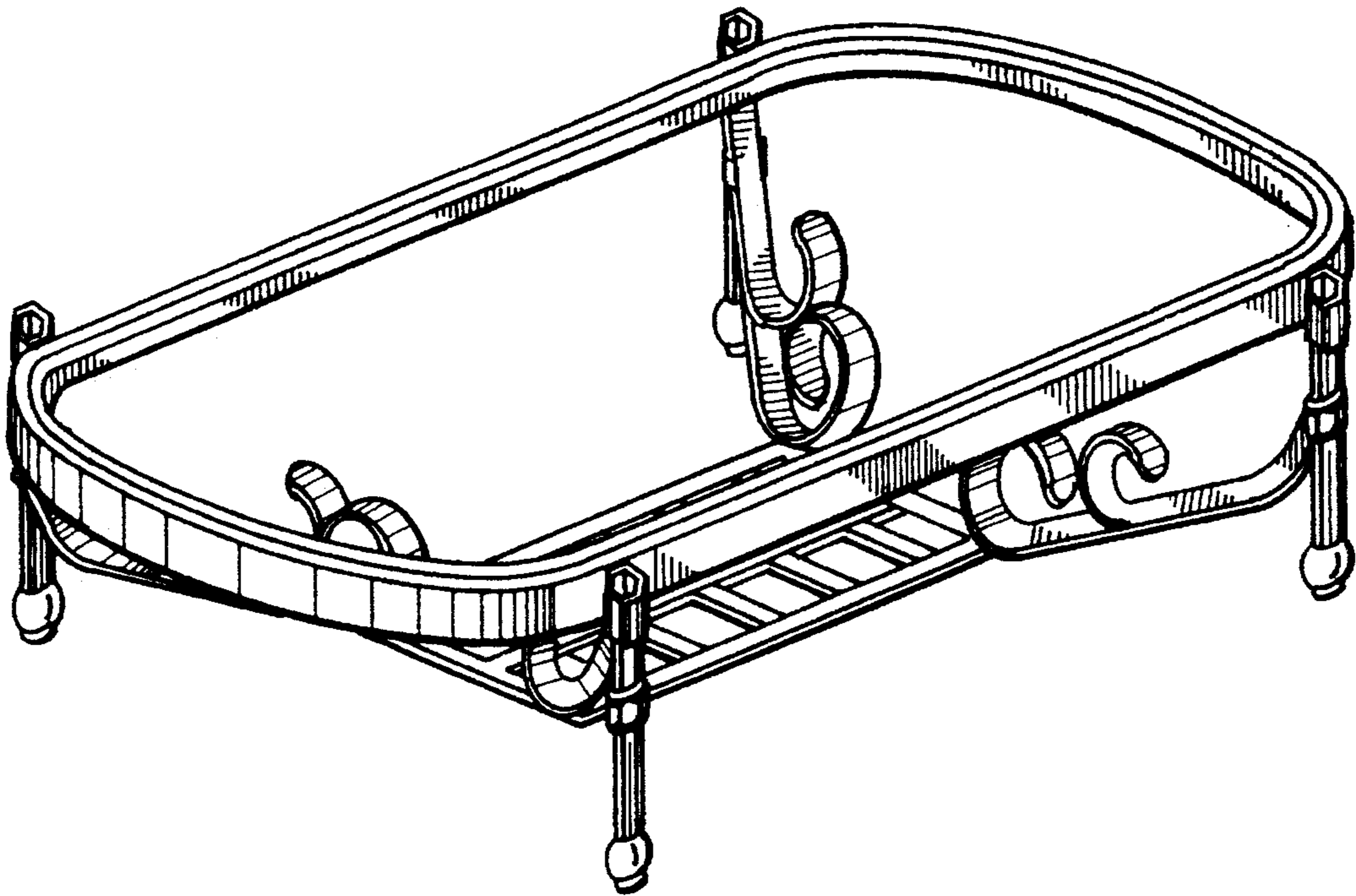


FIG. 1

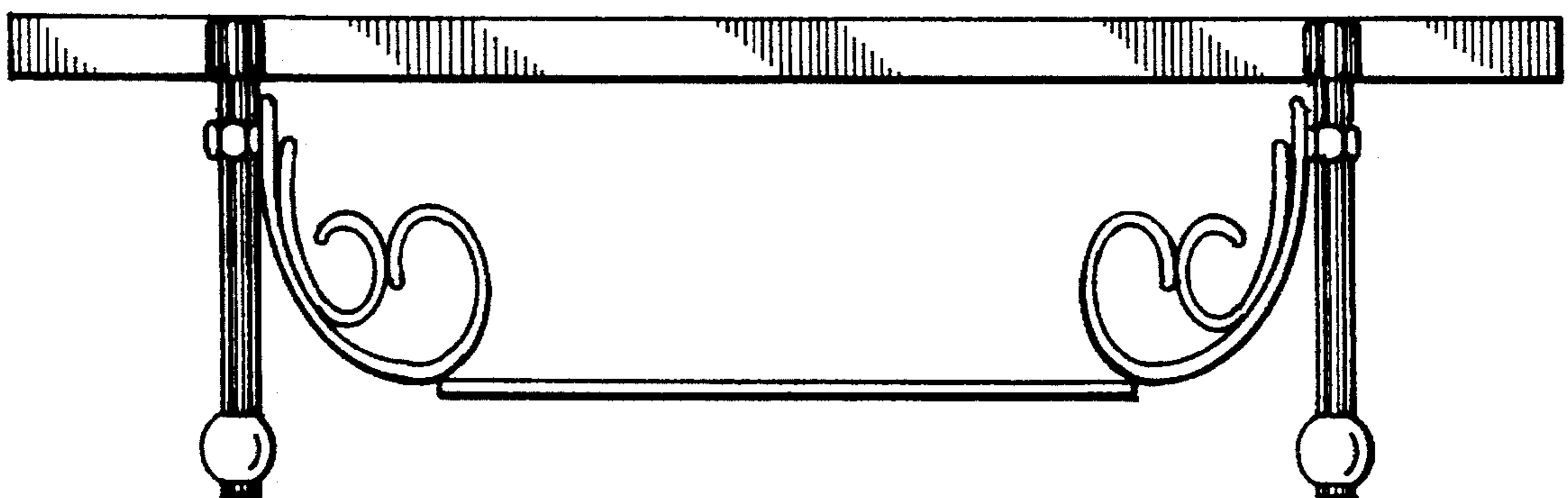


FIG. 2

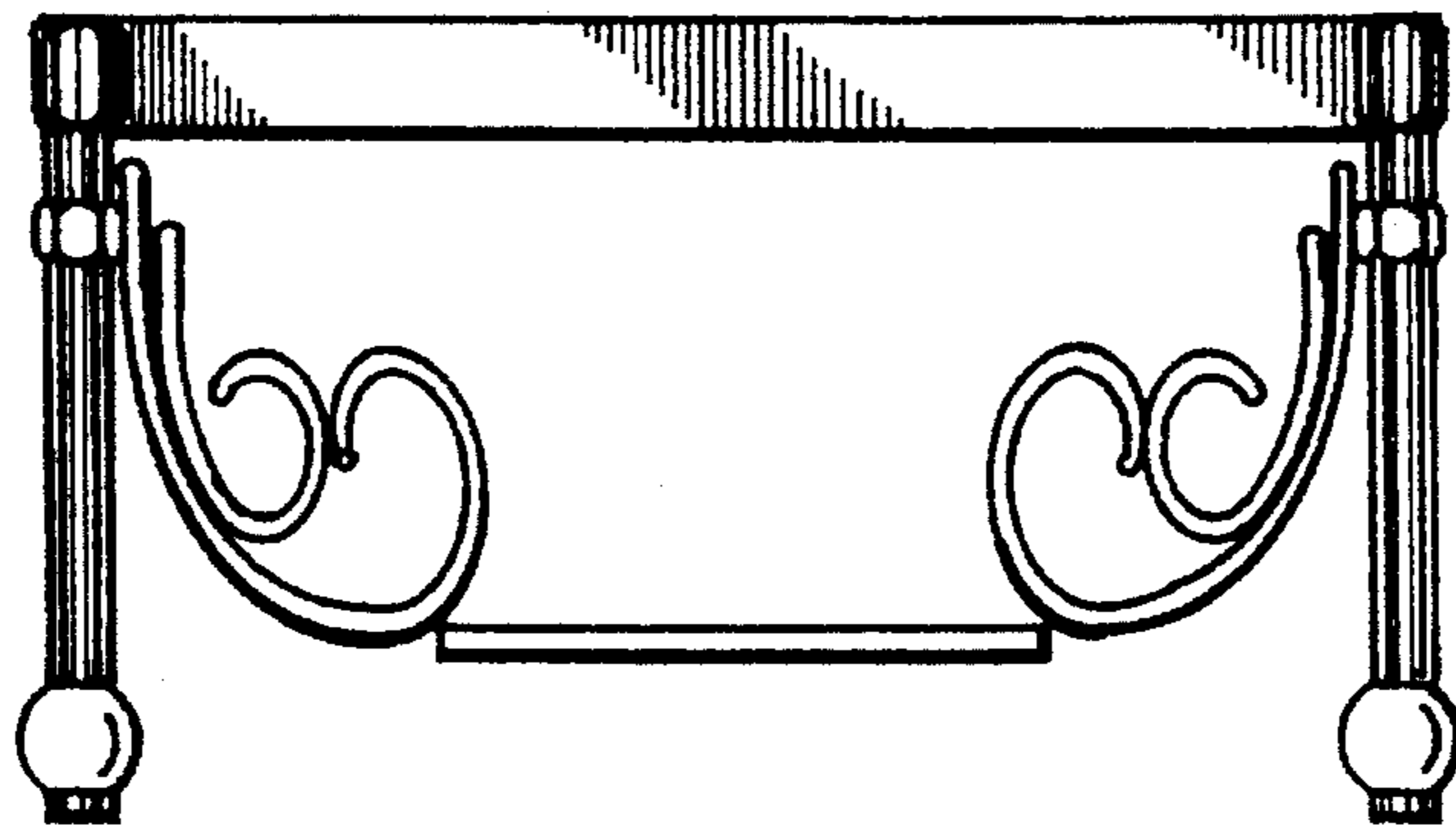


FIG. 3

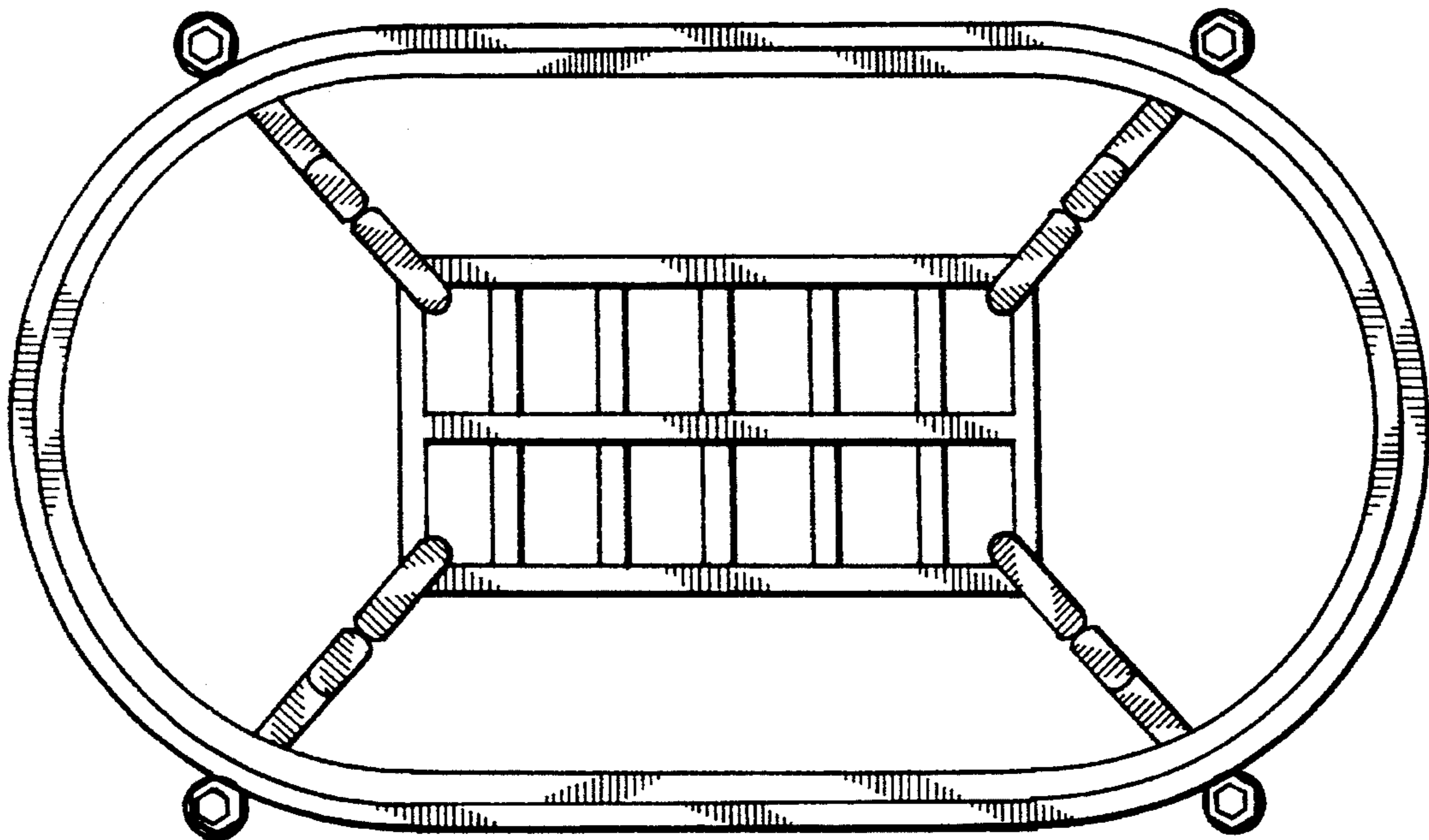


FIG. 4